

[54] **MOBILE HOSE REEL**

[75] **Inventor: Alan Brownlie, Skaneateles, N.Y.**

[73] **Assignee: Jeffrey B. Volk, Rochester, N.Y.**

[**] **Term: 14 Years**

[21] **Appl. No.: 601,429**

[22] **Filed: Apr. 18, 1984**

[52] **U.S. Cl. D34/17; D34/26; 242/86.2; D8/358**

[58] **Field of Search D8/358; D34/24, 26, D34/17, 21; 242/86.2, 96**

[56] **References Cited**

U.S. PATENT DOCUMENTS

D. 147,372	8/1947	Marsh	D34/26
D. 152,217	12/1948	Rehm	D34/24
D. 157,589	3/1950	Hartenbach	D34/24
D. 164,546	9/1951	Becker	D34/26
D. 242,537	11/1976	Marcell	D34/24
D. 249,032	8/1978	Tarran	D34/26
520,815	6/1894	Von Horn	242/86.2
1,450,006	3/1923	More	242/86.2

1,883,518	10/1932	Branning	D34/24
2,481,224	9/1949	Joswick	242/86.2
2,488,425	4/1946	Morrone	242/86.2
2,896,961	7/1959	Low	D34/24
2,928,562	3/1960	Gollnick	D34/17
3,177,001	4/1965	Wolford	D34/24 X
4,186,881	2/1980	Long	242/86.2

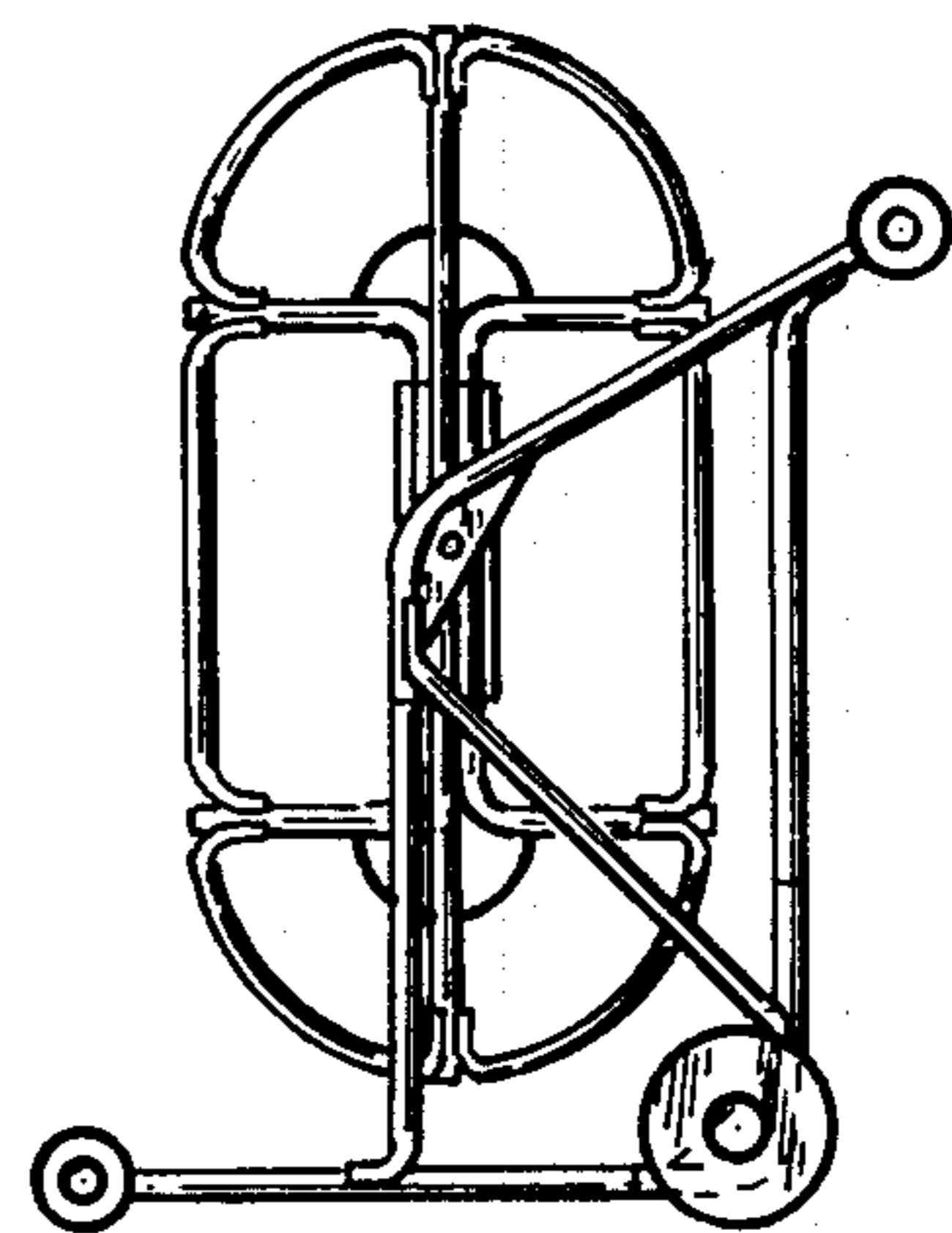
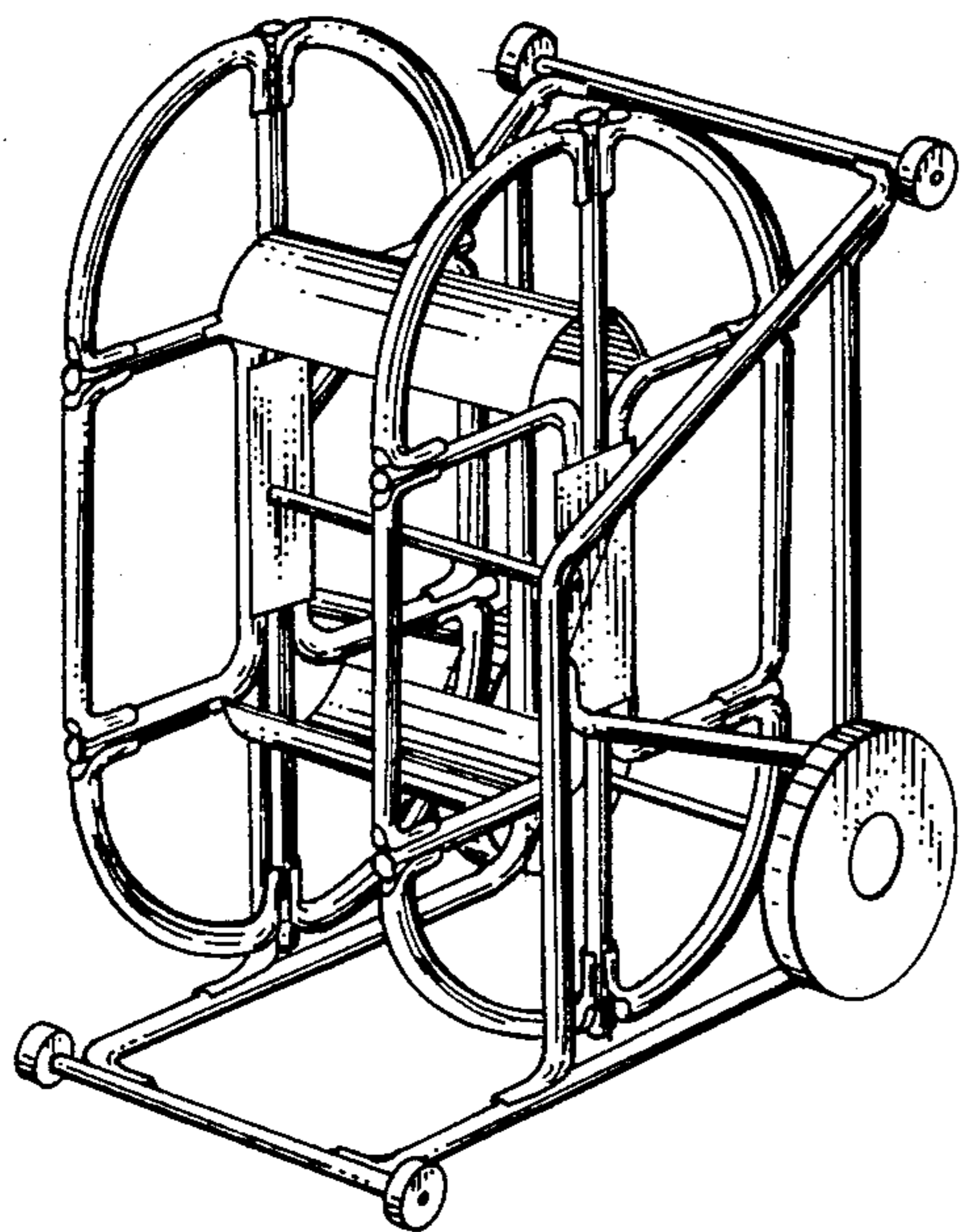
Primary Examiner—James M. Gandy
Assistant Examiner—H. B. Fay
Attorney, Agent, or Firm—Baldwin, Egan & Fetzer

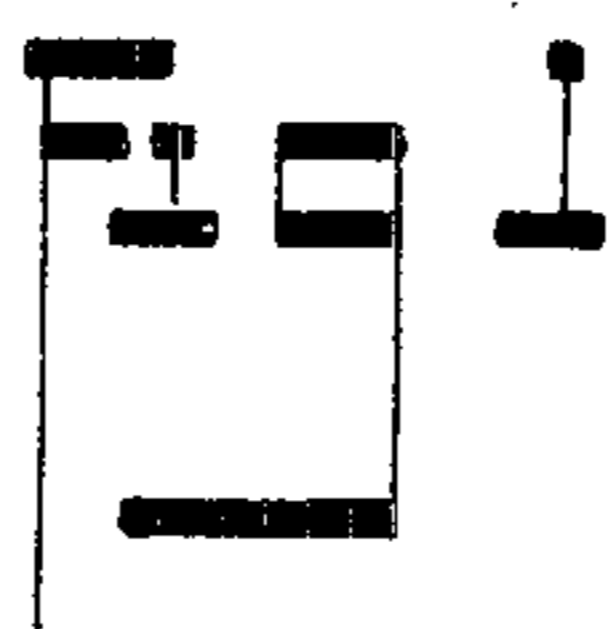
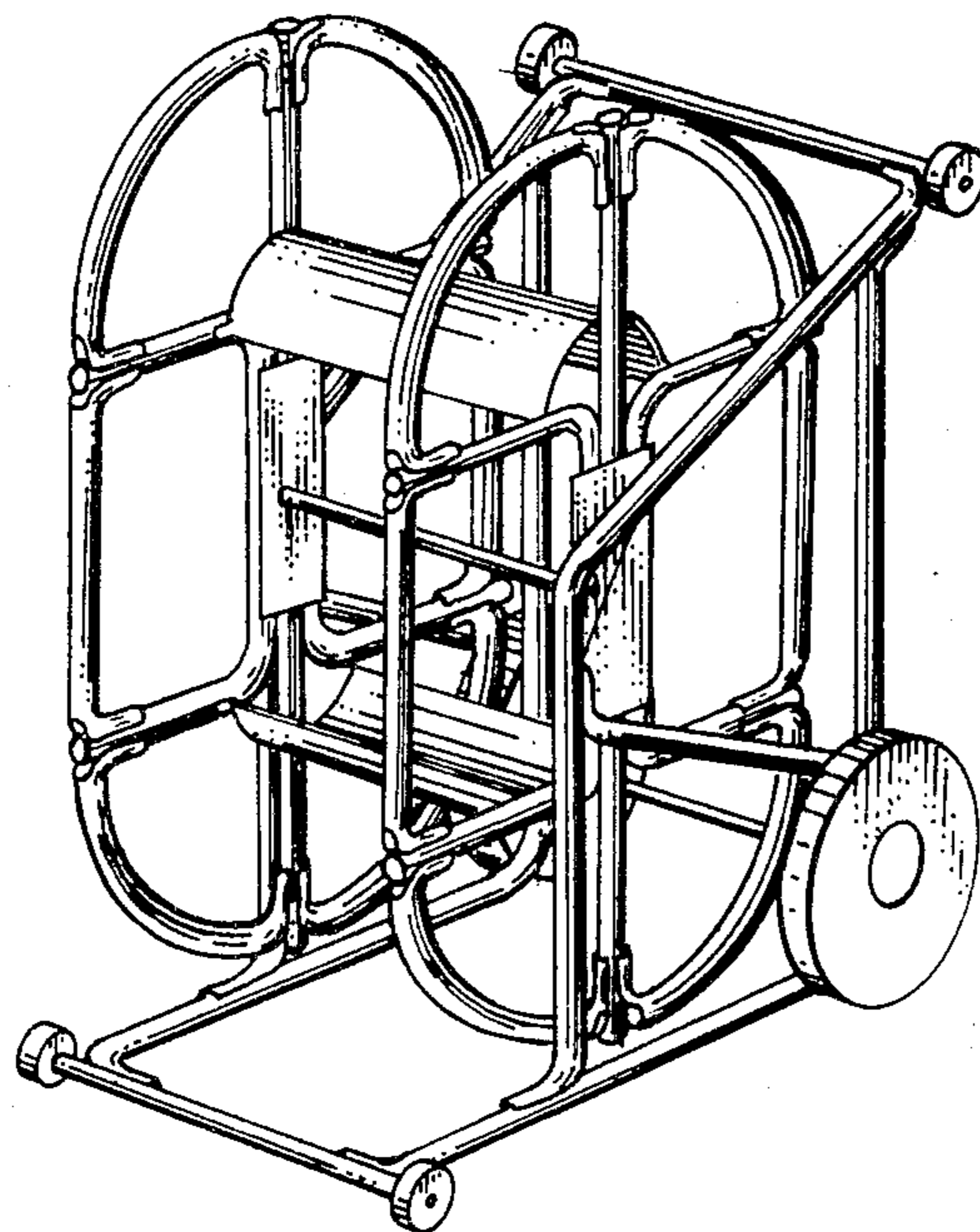
[57] **CLAIM**

The ornamental design for a mobile hose reel, as shown and described.

DESCRIPTION

FIG. 1 is a front, partial top, and right side perspective view of a mobile hose reel showing my new design; FIG. 2 is a right side elevational view thereof, shown in reduced scale; FIG. 3 is a rear elevational view thereof; FIG. 4 is a front elevational view thereof; FIG. 5 is a top plan view thereof; and FIG. 6 is a perspective view taken 180° opposite from FIG. 1.





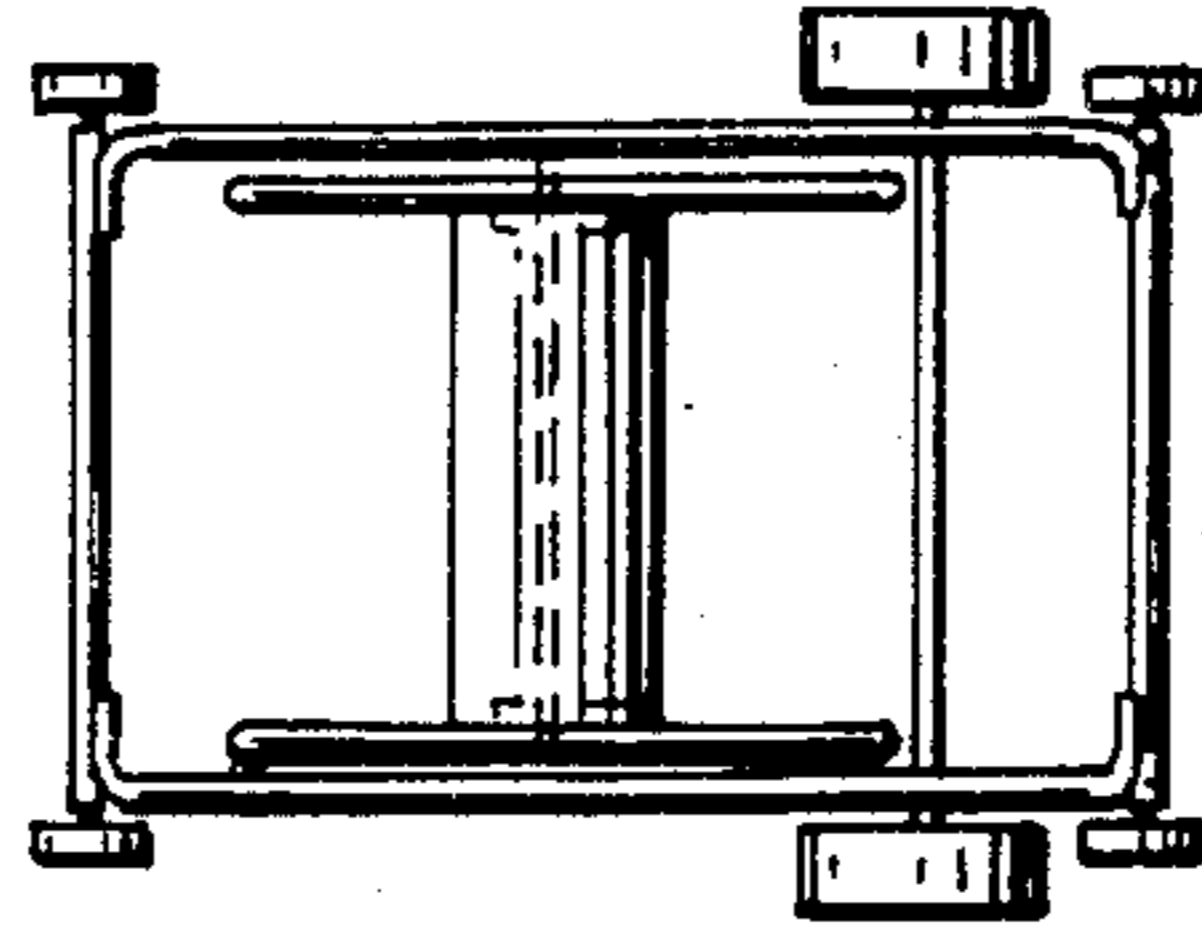


Fig 5

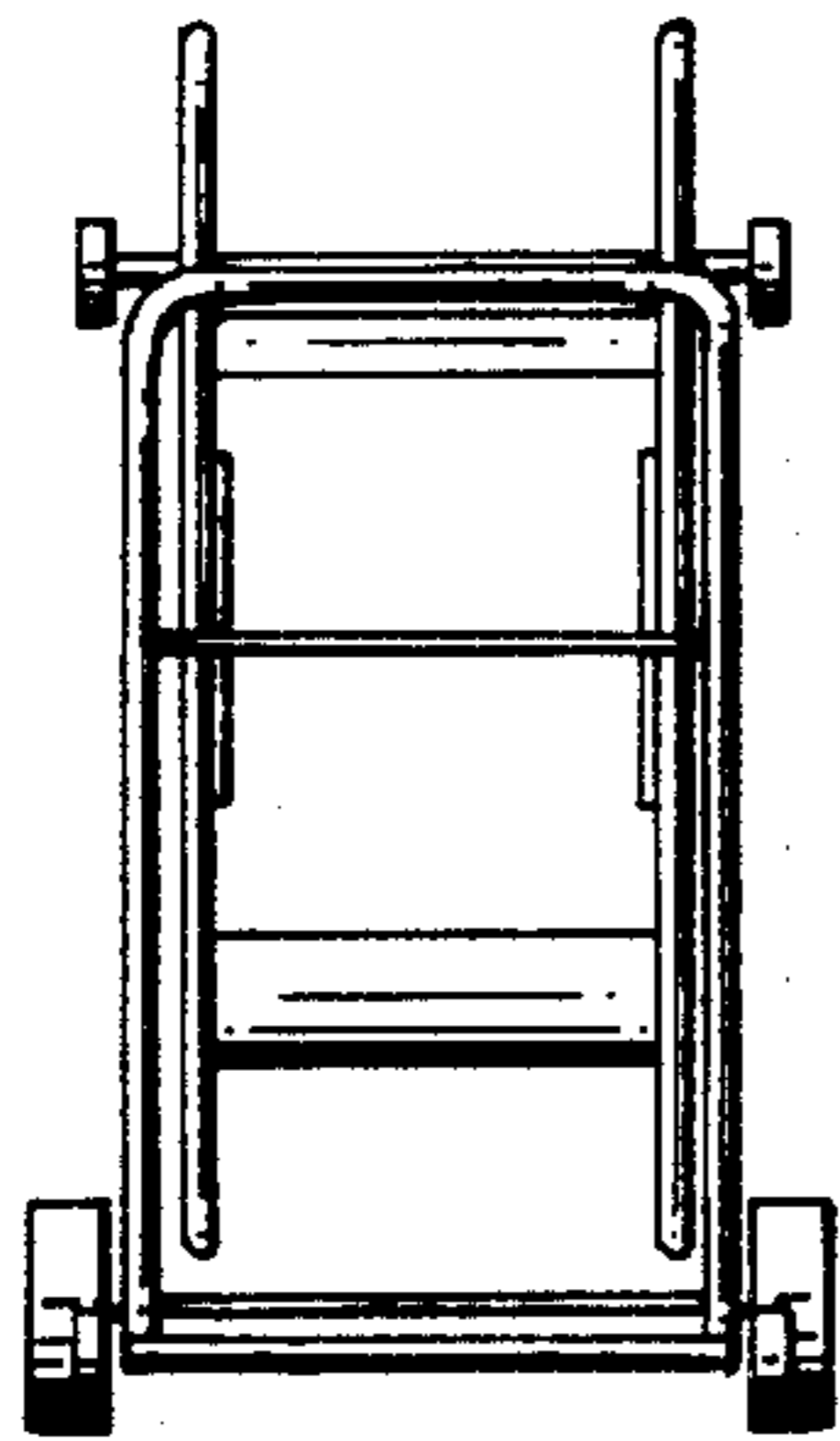


Fig 4

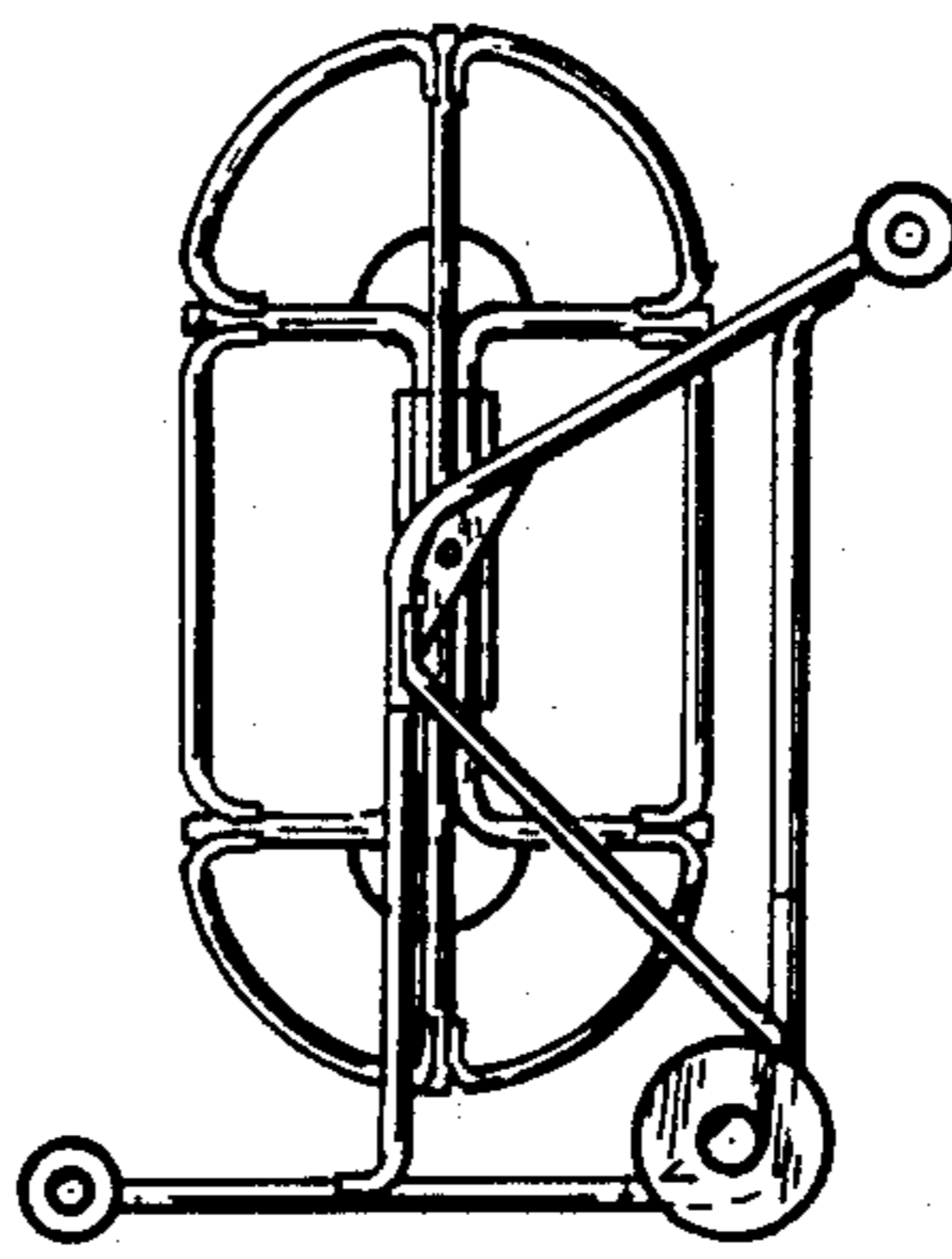


Fig 2

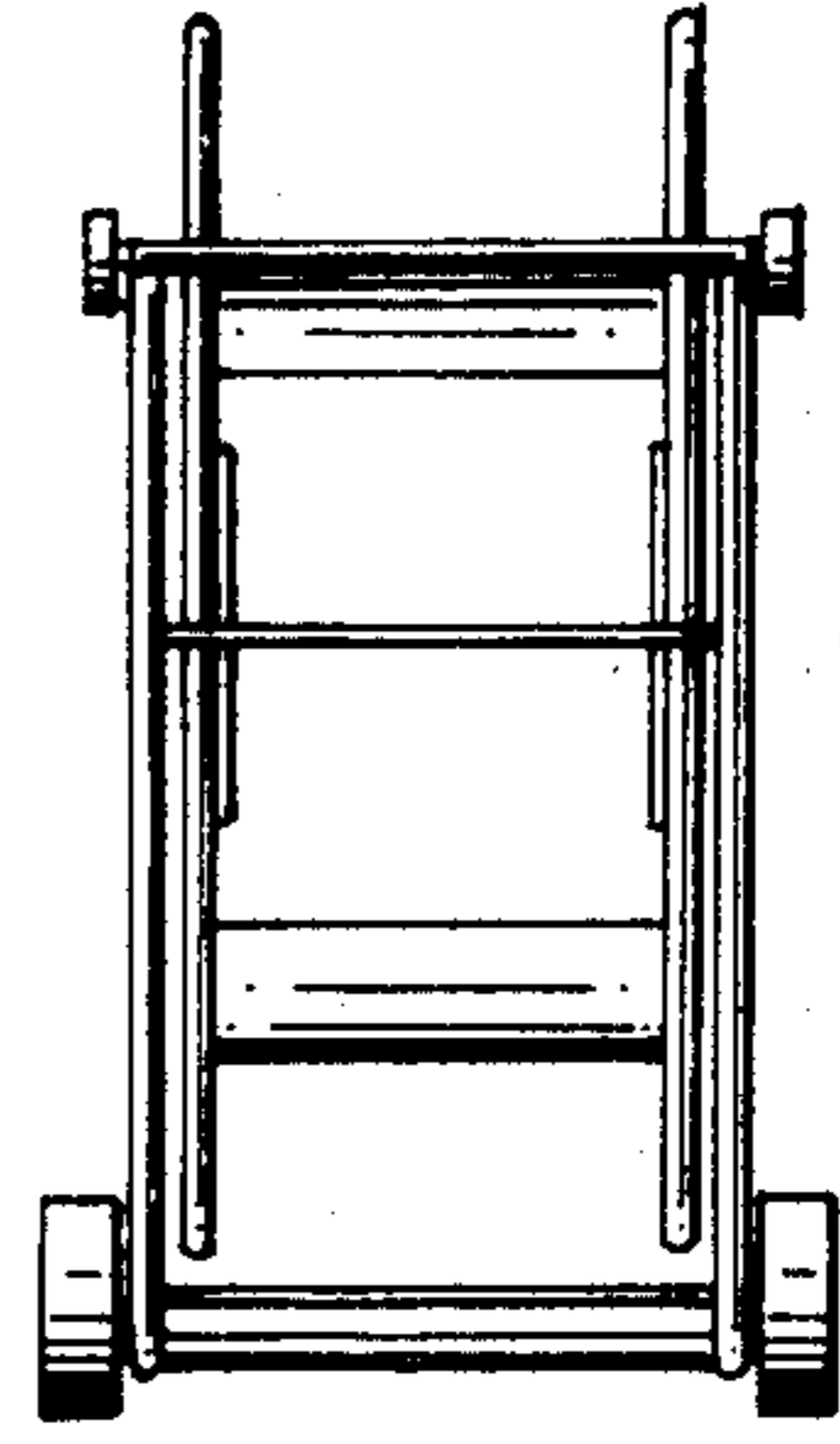


Fig 3

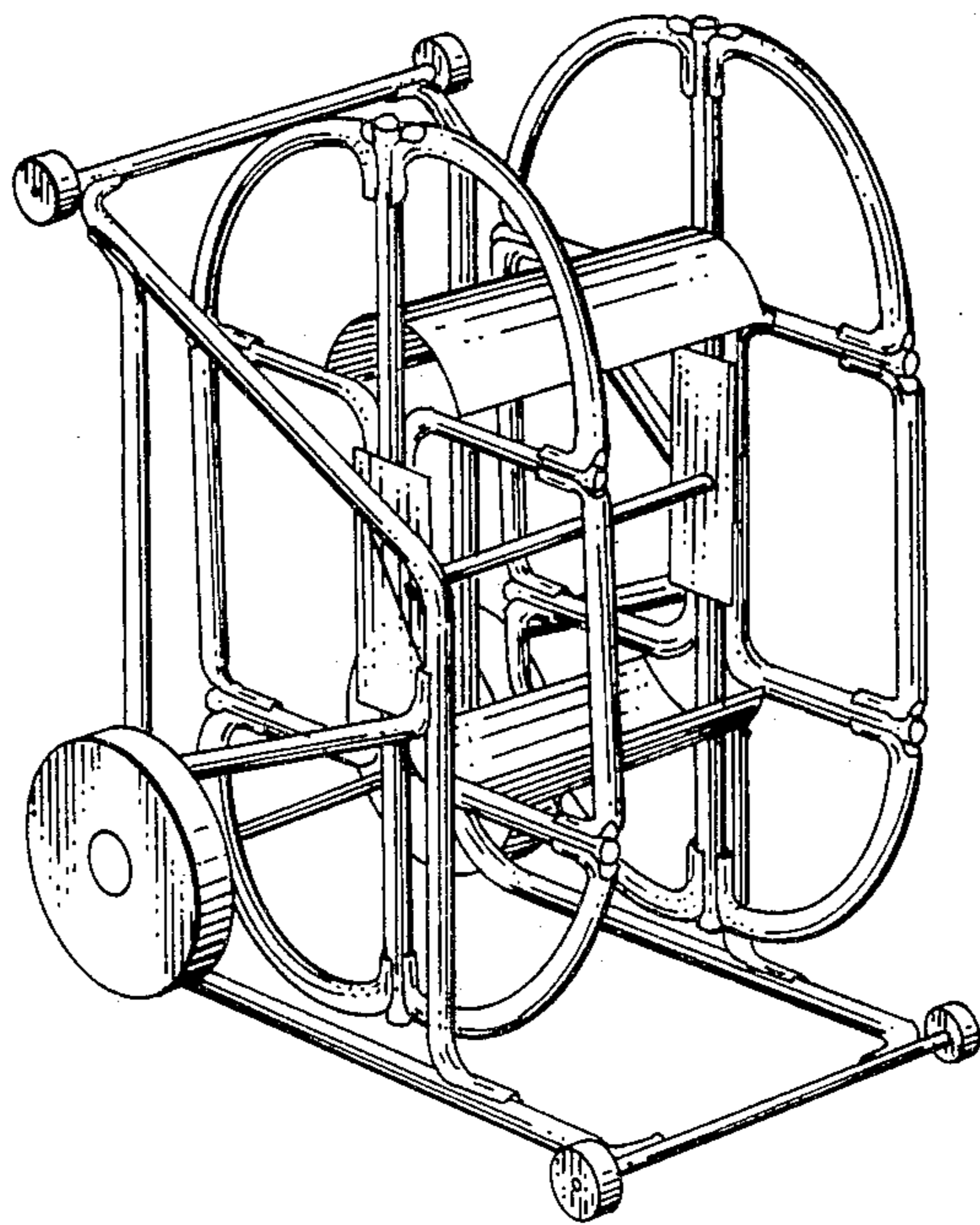


FIG 6