

[54] BASE FOR SUPPORTING A REFUSE RECEPTACLE OR THE LIKE

[56] References Cited

[76] Inventors: Michael J. Young, 5309 Annette;  
James Bentley, 3305 Starburst Ct.,  
both of Bakersfield, Calif. 93309

U.S. PATENT DOCUMENTS

D. 211,605	7/1968	Tingen .....	D34/1
D. 256,558	8/1980	Smith .....	D9/454
2,034,868	3/1936	Henriksen .....	220/69
2,784,577	3/1957	Beaham, III .....	D7/45
3,990,179	11/1976	Johnson et al. ....	220/69

[\*\*] Term: 14 Years

Primary Examiner—James M. Gandy  
Assistant Examiner—Kay H. Chin  
Attorney, Agent, or Firm—Worrel & Worrel

[21] Appl. No.: 639,237

[57] CLAIM

The ornamental design for a base for supporting a refuse receptacle or the like, as shown.

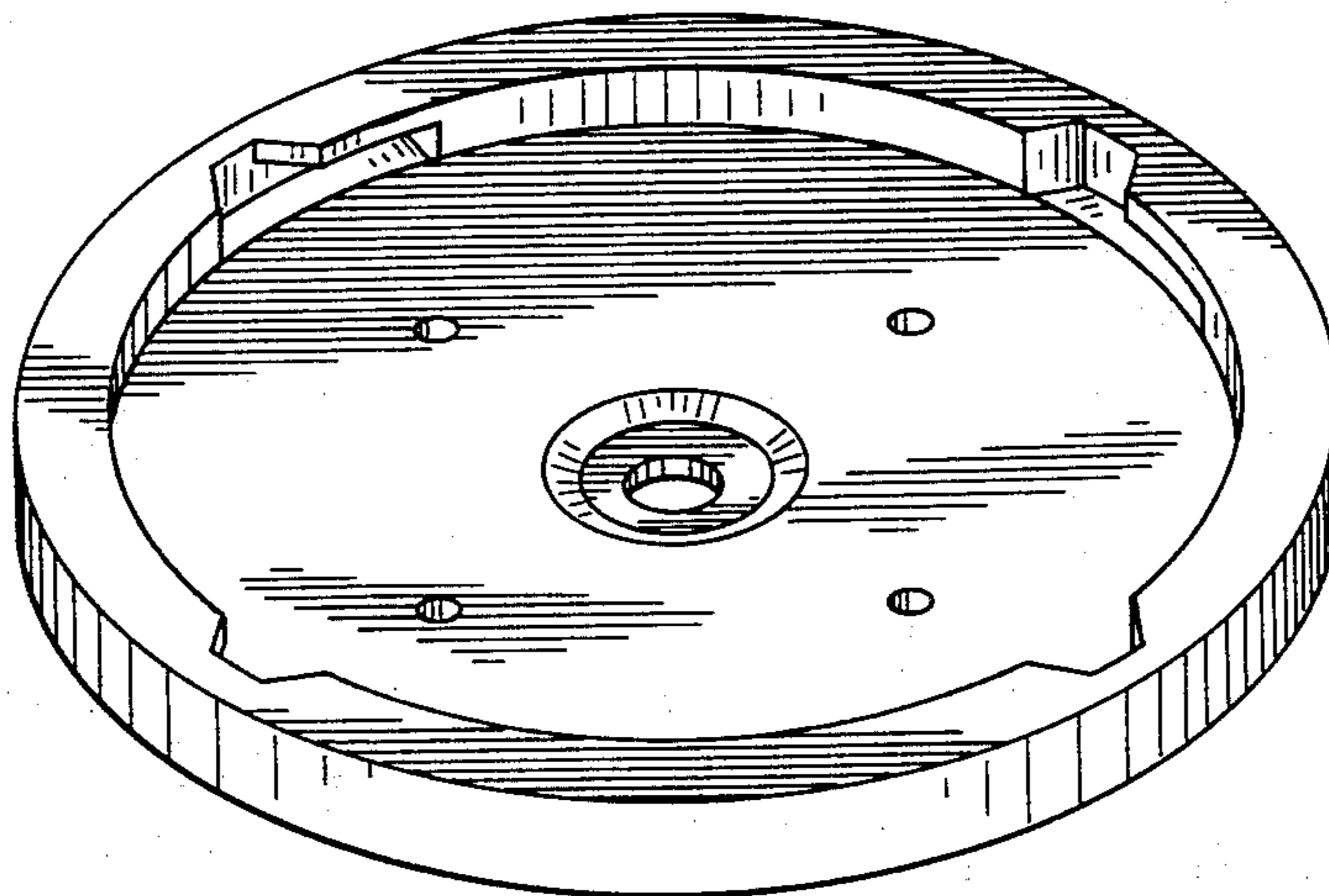
[22] Filed: Aug. 9, 1984

[52] U.S. Cl. .... D34/10

[58] Field of Search ..... D34/10, 11; 220/69,  
220/293, 294, 302, 300, 334; D7/45; D9/454,  
455

DESCRIPTION

FIG. 1 is a perspective view of the base for supporting a refuse receptacle or the like showing our new design; FIG. 2 is a top plan view thereof; FIG. 3 is a bottom plan view thereof; FIG. 4 is a side elevational view thereof.



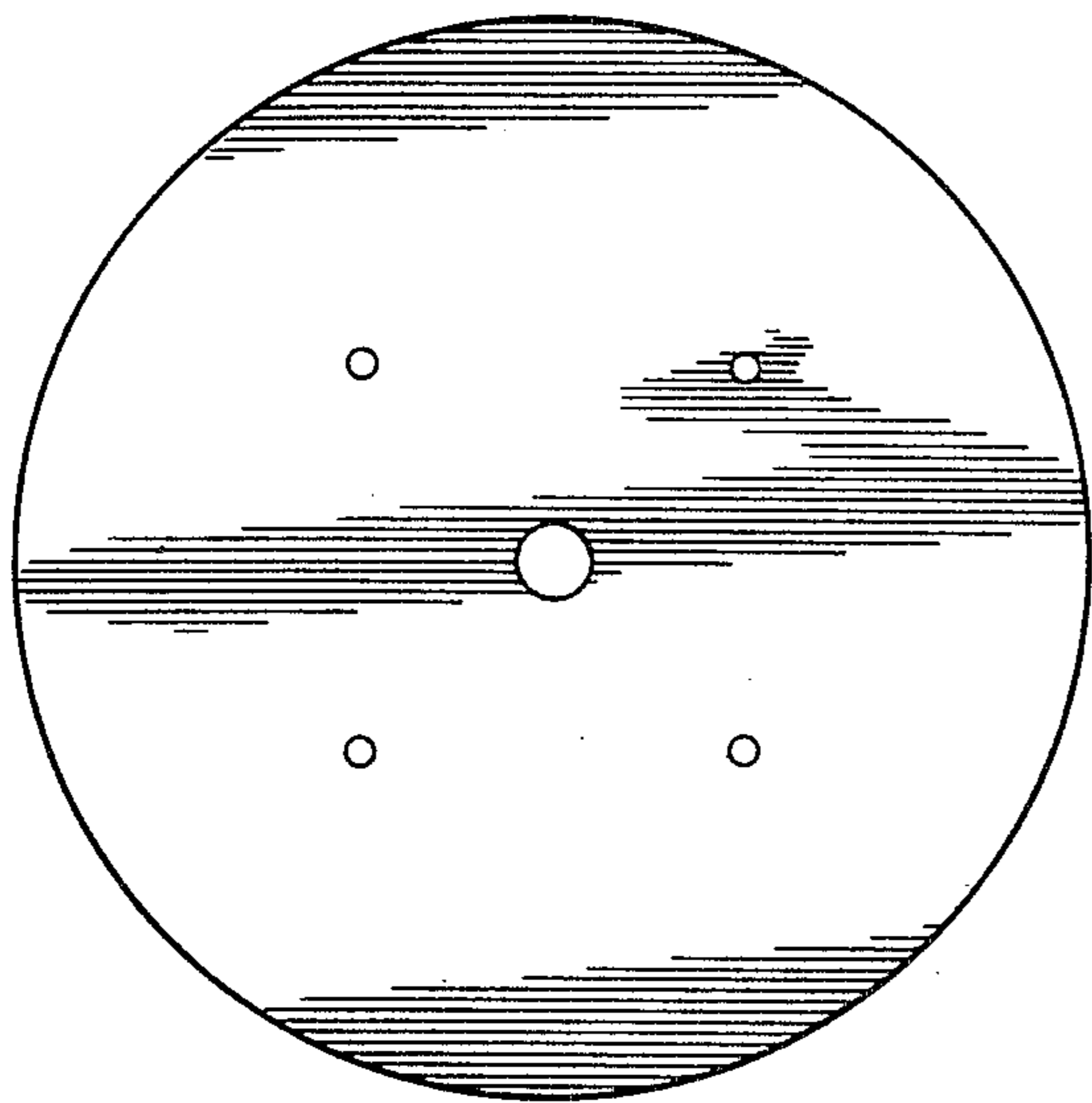


FIG. 3



FIG. 4

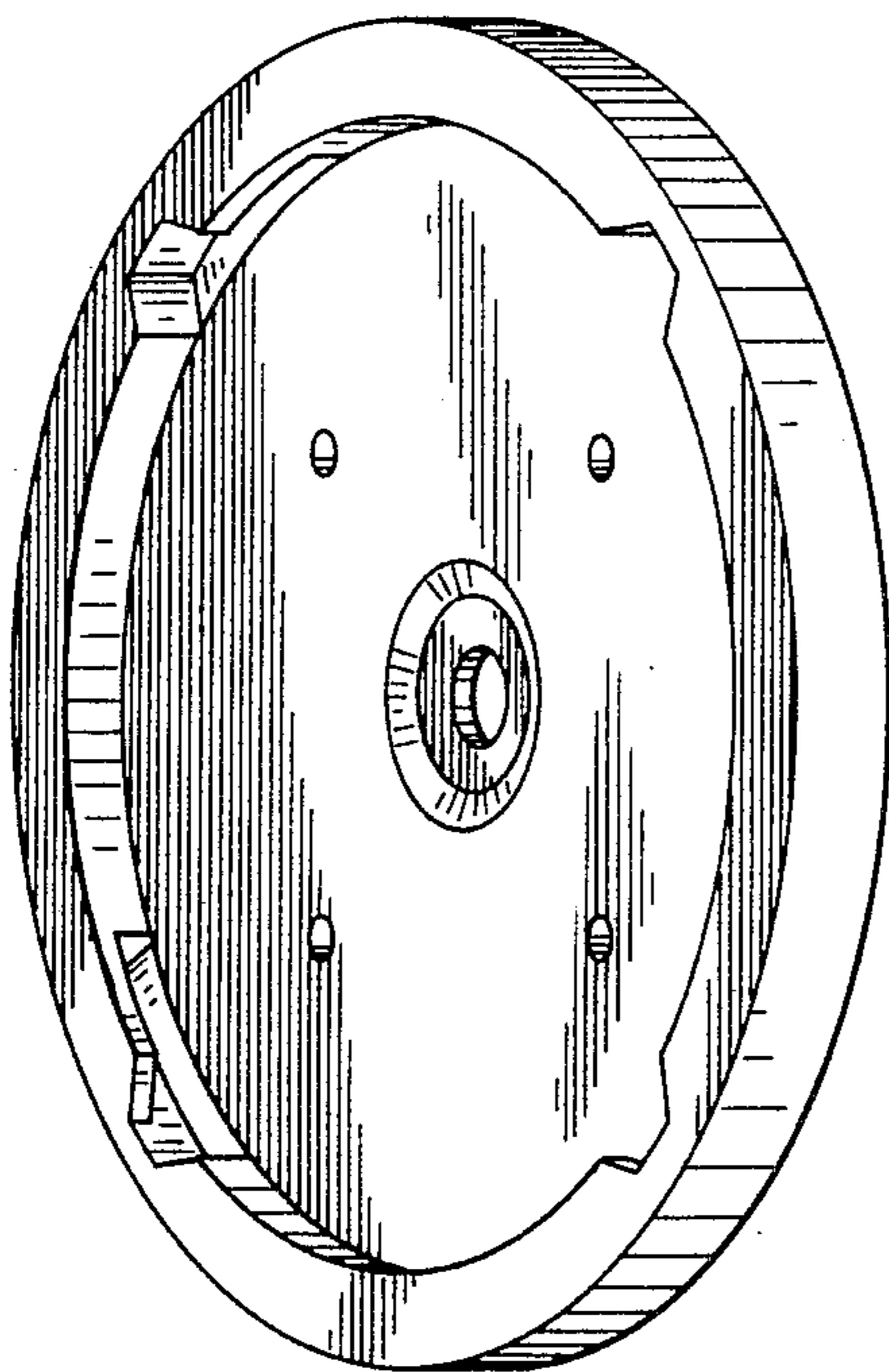


FIG. 1

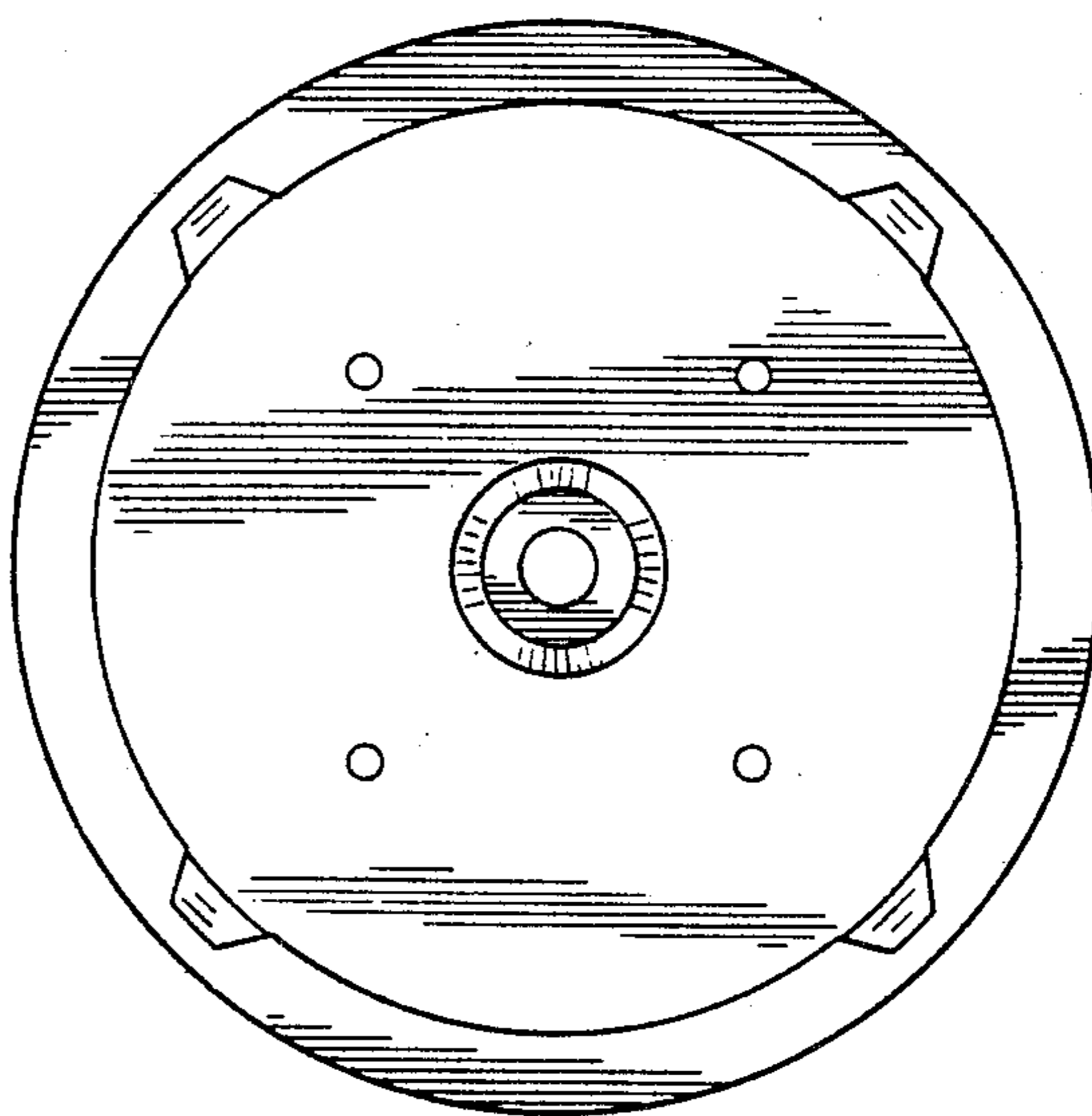


FIG. 2