

[54] **DEVICE FOR SCRAPING LIQUID OFF ROLLERS**

[76] **Inventor: Oskar L. Rolin, 11, Carn Court, North Drive, Brighton, E. Sussex, BN2HR, England**

[**] **Term: 14 Years**

[21] **Appl. No.: 673,058**

[22] **Filed: Nov. 19, 1984**

[30] **Foreign Application Priority Data**

May 28, 1984 [SE] Sweden 84-1651
[52] **U.S. Cl.** **D32/54; D32/46**
[58] **Field of Search** **D32/40, 46, 53.1, 54; 15/236 R, 257.05, 257.06; 220/90**

[56] **References Cited**

U.S. PATENT DOCUMENTS

D. 264,147	5/1982	Heath	D32/54
557,014	3/1896	Osgood	15/257.05 X
1,065,823	6/1913	Matthews	15/257.05 X
2,827,648	3/1958	Geisz	15/257.05
2,939,162	6/1960	Kravitt	15/257.05
3,091,793	6/1963	Bentley, Jr.	15/257.06
3,394,425	7/1968	Welt	15/257.06

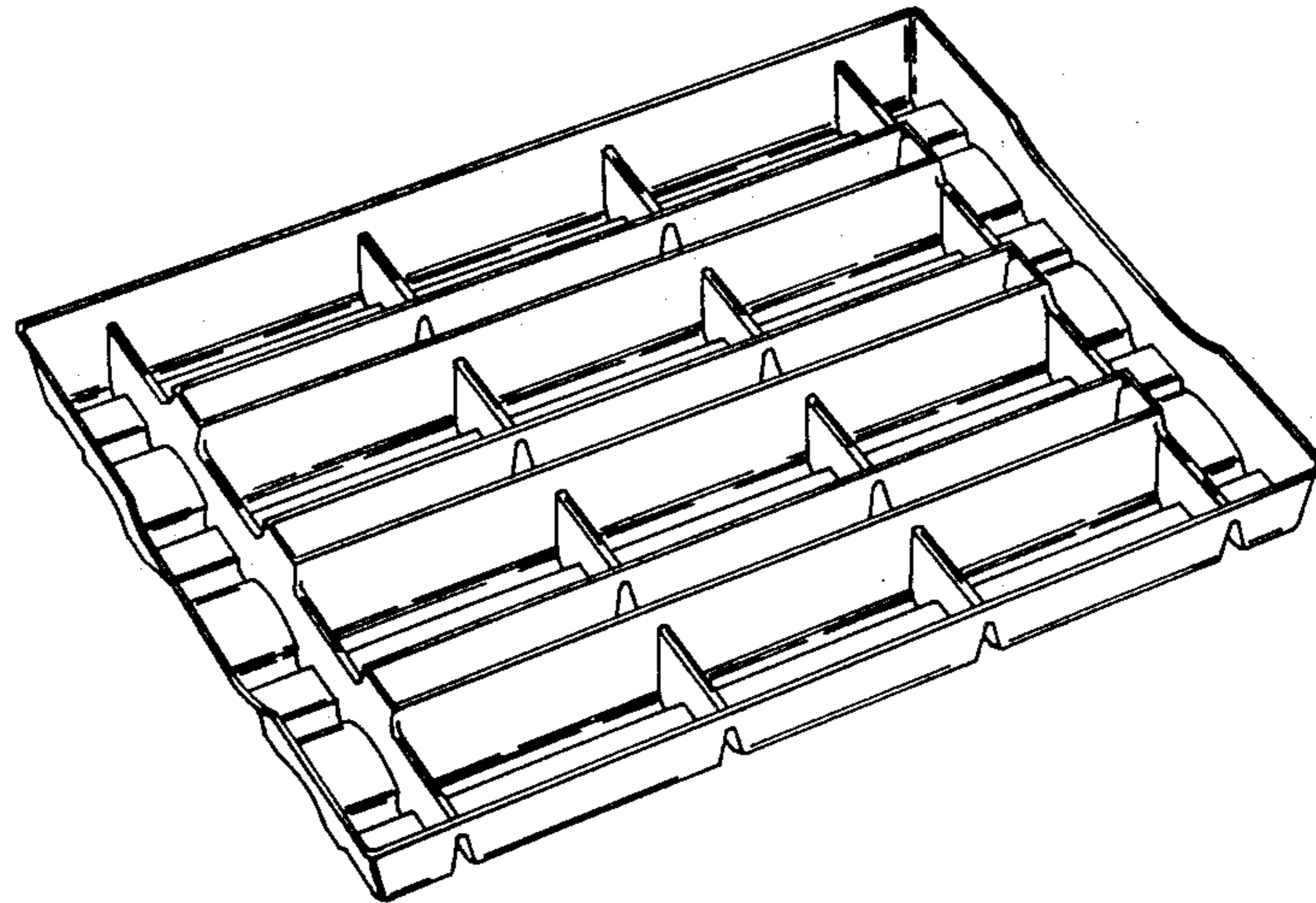
Primary Examiner—Catherine E. Kemper
Attorney, Agent, or Firm—Pollock, VandeSande & Priddy

[57] **CLAIM**

The ornamental design for a device for scraping liquid off rollers, as shown and described.

DESCRIPTION

FIG. 1 is a top perspective view of a device for scraping liquid off rollers showing my new design;
FIG. 2 is a bottom perspective view thereof.



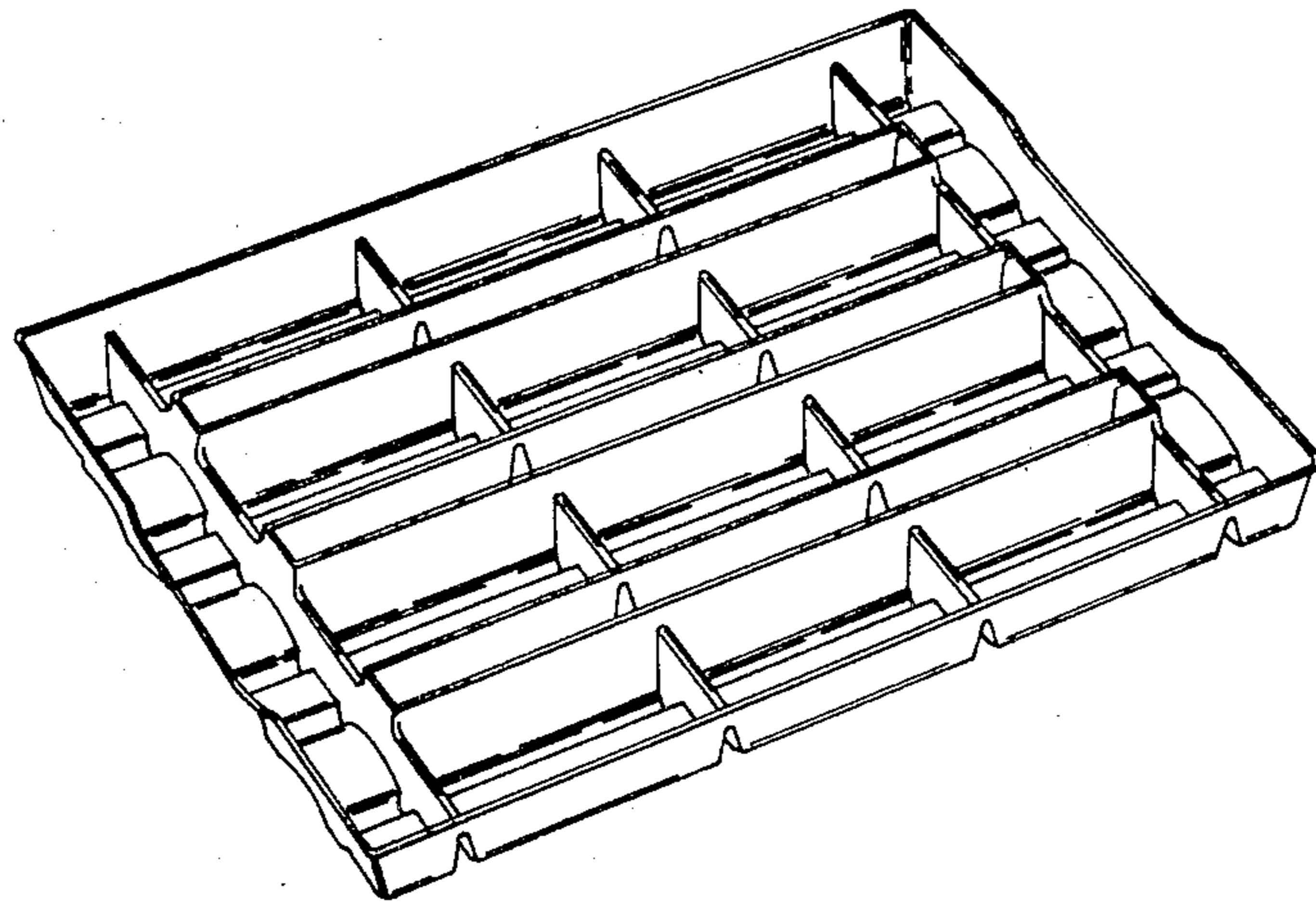


FIG. 1

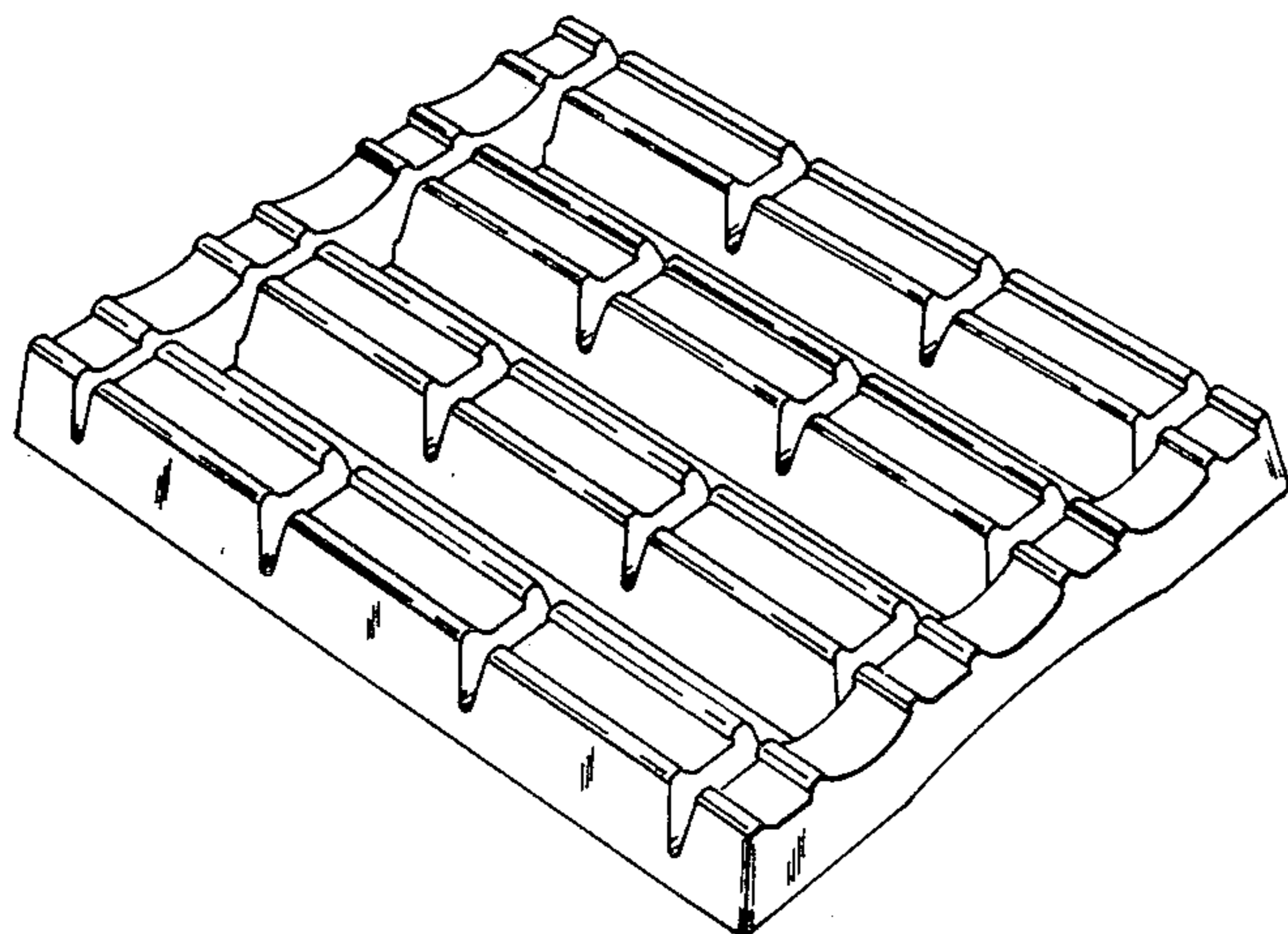


FIG. 2