

[54] TUBE RACK

[75] Inventor: Vance Mitchell, Irvine, Calif.

[73] Assignee: ICI Scientific, Inc., Fountain Valley, Calif.

[\*\*] Term: 14 Years

[21] Appl. No.: 636,097

[22] Filed: Jul. 30, 1984

[52] U.S. Cl. .... D24/32; D24/31

[58] Field of Search ..... D24/32, 31; D9/341, D9/424, 425, 456; 356/244, 246; 422/104, 102, 58; 435/287, 299, 300, 301, 291, 809

[56] References Cited

U.S. PATENT DOCUMENTS

D. 220,040 3/1971 Carver ..... D24/32

D. 240,052 5/1976 Varga ..... D24/17  
D. 271,239 11/1983 Lemieux et al. .... D24/32

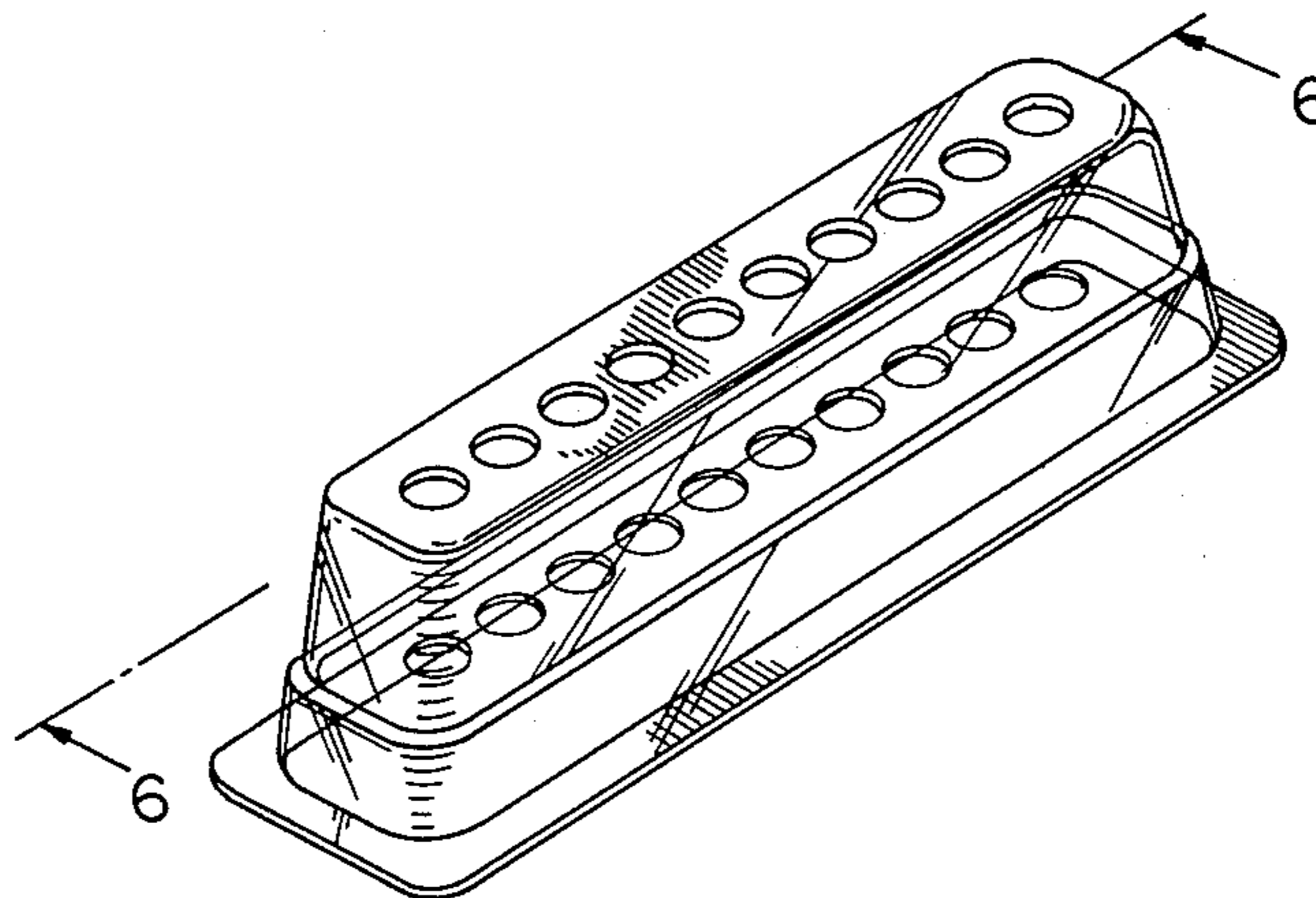
Primary Examiner—A. Hugo Word  
Assistant Examiner—Stella M. Reid  
Attorney, Agent, or Firm—Memel, Jacobs & Ellsworth

[57] CLAIM

The ornamental design for a tube rack, substantially as shown and described.

DESCRIPTION

FIG. 1 is a perspective view of a tube rack showing my new design;  
FIG. 2 is a side elevational view of the tube rack;  
FIG. 3 is an end elevational view of the tube rack;  
FIG. 4 is a top plan view of the tube rack;  
FIG. 5 is a bottom plan view of the tube rack; and  
FIG. 6 is a fragmented cross-sectional view taken along line 6—6 of FIG. 1.



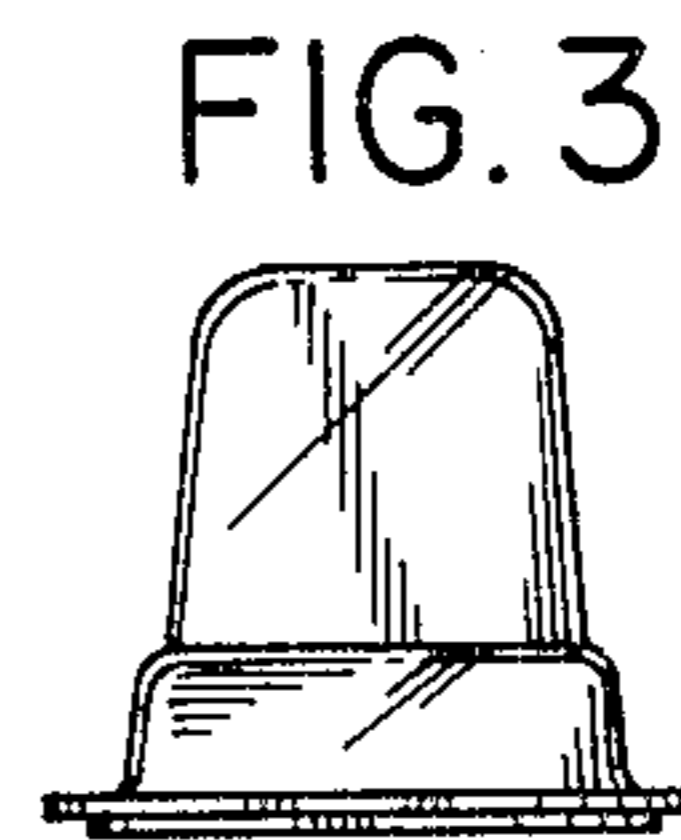
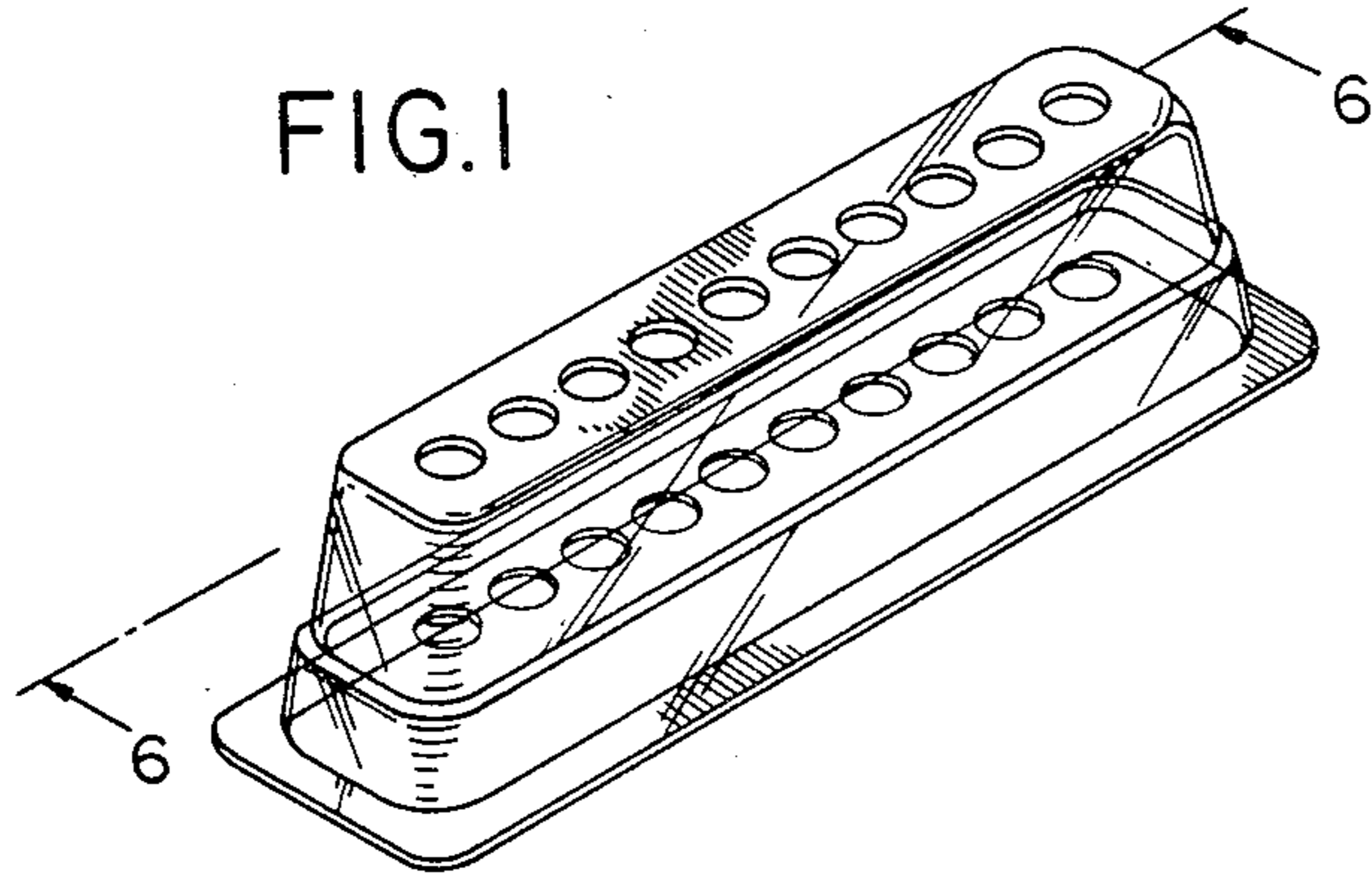


FIG. 2

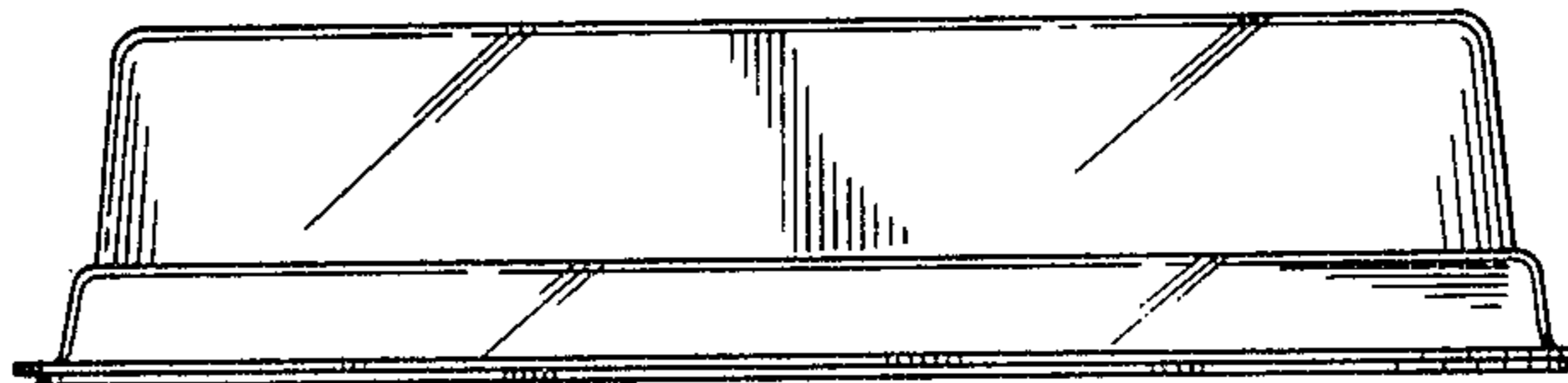


FIG. 4

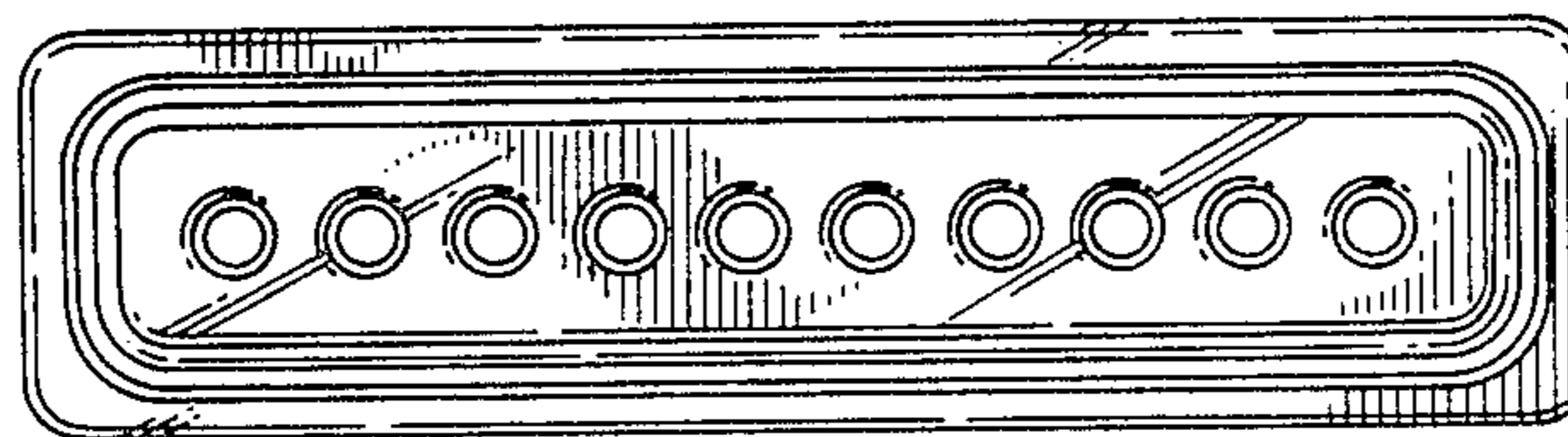


FIG. 5

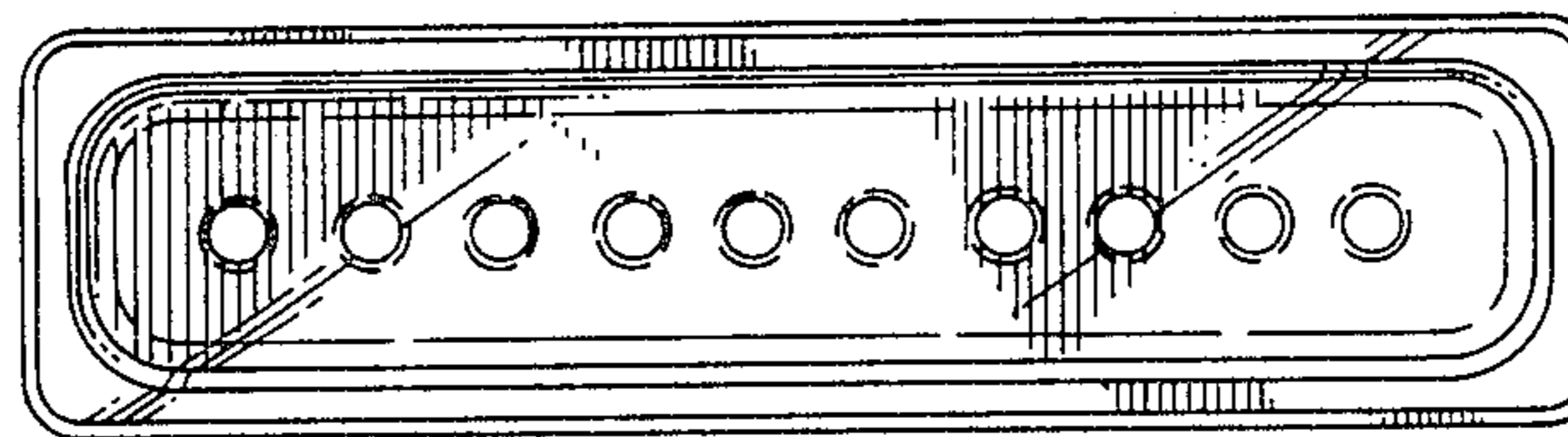


FIG. 6

