

[54] HINGED CONTAINER FOR SYRINGES

[75] Inventors: Robert D. Holewinski, Lakehurst; Leslie Hamilton, Trenton; William J. Blatherwick, Hamilton Square, all of N.J.

[73] Assignee: Johnson & Johnson Dental Products Company, East Windsor, N.J.

[**] Term: 14 Years

[21] Appl. No.: 597,896

[22] Filed: Apr. 9, 1984

[52] U.S. Cl. D24/31

[58] Field of Search D24/4, 5, 8, 10.16, D24/31-32; D9/341, 345, 347, 423-426, 456; D3/74; 206/364-366, 368-369, 570-572, 438, 63.5, 557-558, 562-564; 312/209; 433/77

[56] References Cited

U.S. PATENT DOCUMENTS

- D. 255,659 5/1980 Dugan et al. D9/425
- D. 276,116 10/1984 Basil D9/347 X
- D. 280,884 10/1985 Holewinski et al. D9/345

- D. 283,487 4/1986 Holewinski et al. D9/341
- 3,327,841 6/1967 Schurman et al. D9/347 X
- 3,511,433 5/1970 Andrews et al. D9/426 X
- 4,501,363 2/1985 Isbey, Jr. 206/564 X

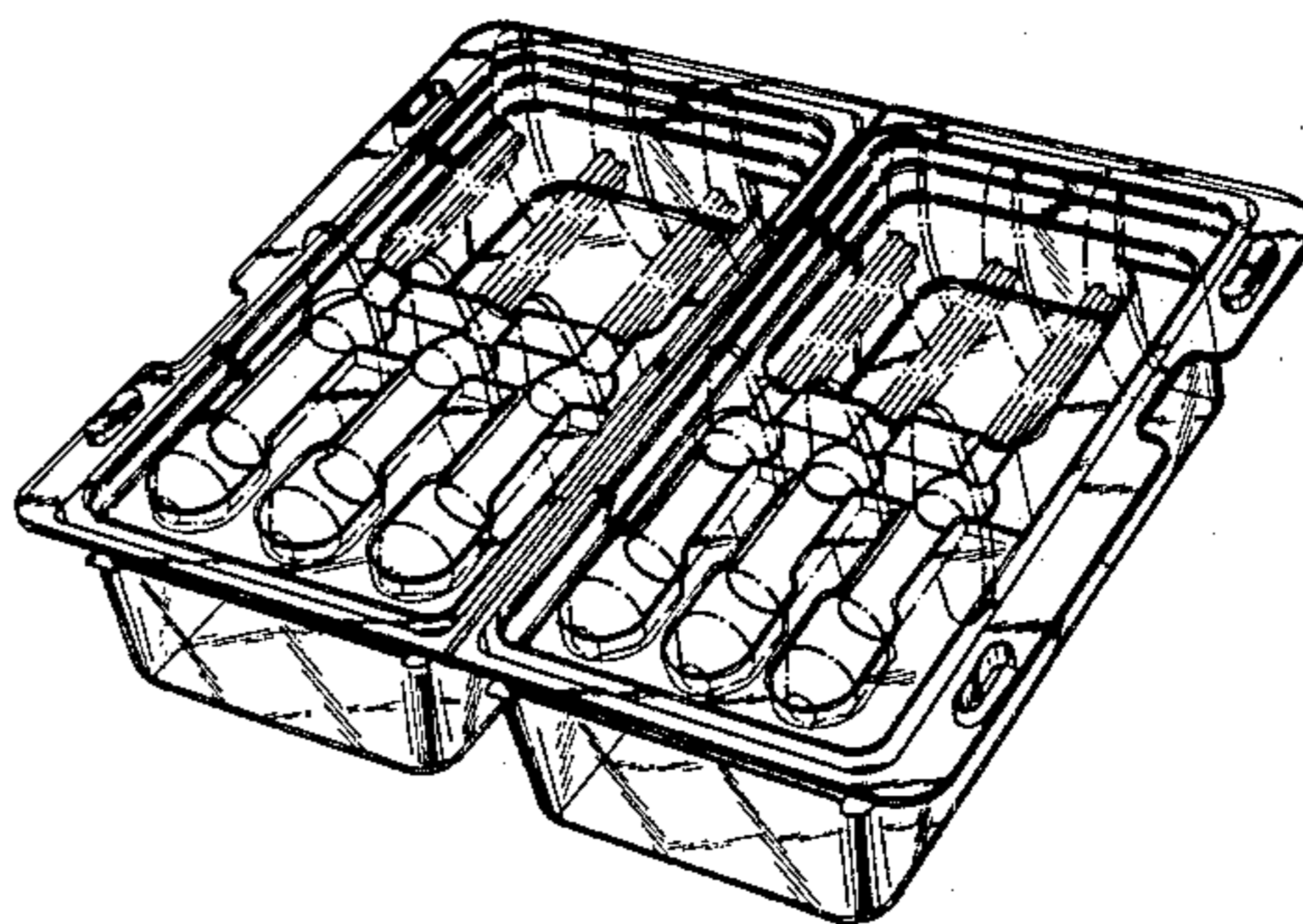
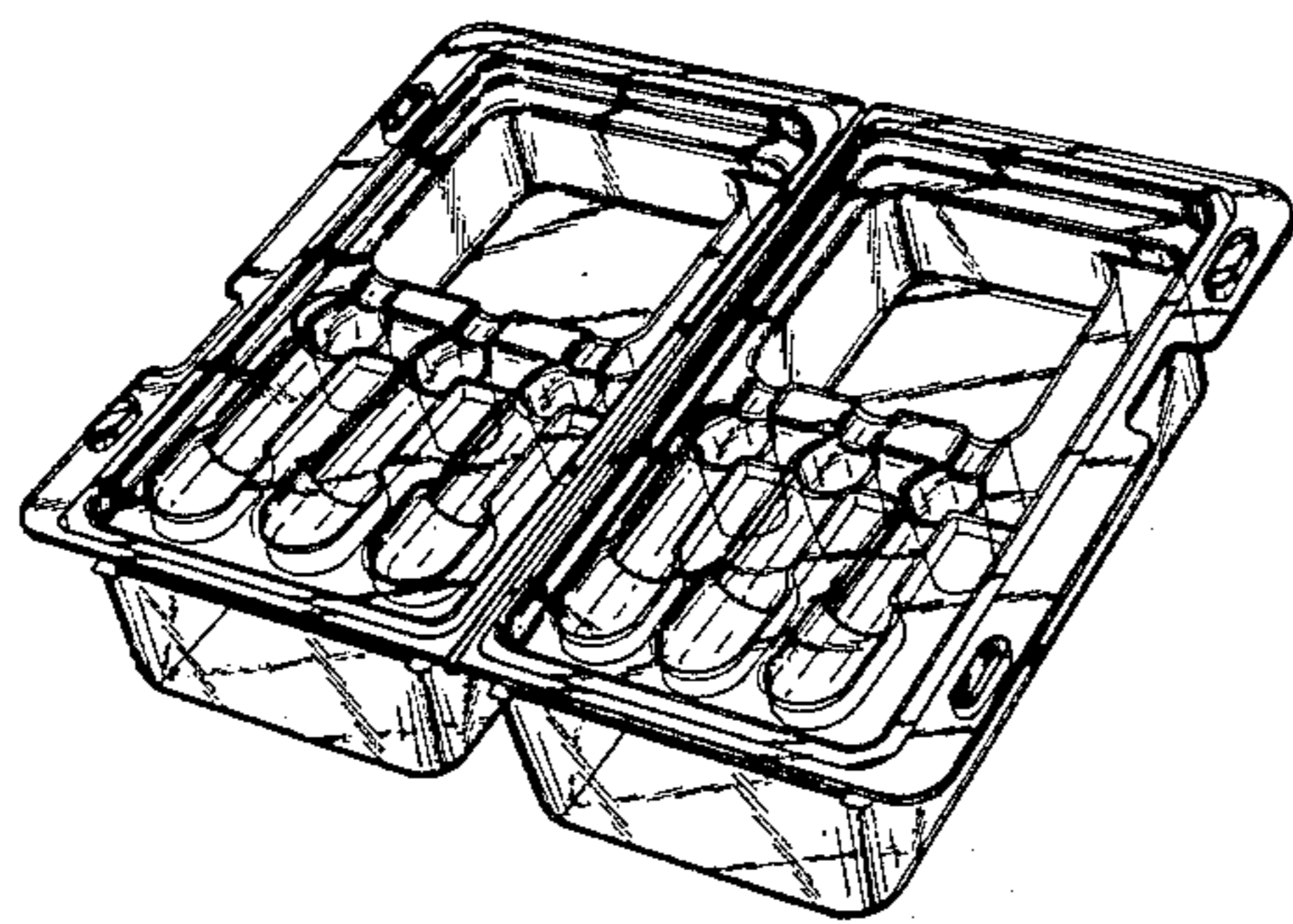
Primary Examiner—B. J. Bullock
Assistant Examiner—Brian N. Vinson
Attorney, Agent, or Firm—Charles J. Metz

[57] CLAIM

The ornamental design for a hinged container for syringes, as shown and described.

DESCRIPTION

FIG. 1 is a top perspective view of a hinged container for syringes showing our new design; FIG. 2 is a left side elevational view thereof, the right side being substantially similar in appearance; FIG. 3 is a front elevational view thereof; FIG. 4 is a rear elevational view thereof; FIG. 5 is a top plan view thereof; FIG. 6 is a bottom plan view thereof; and FIG. 7 is a top perspective view thereof, with the broken-line showing of syringes placed in the container being for illustrative purposes only and forming no part of the claimed design.



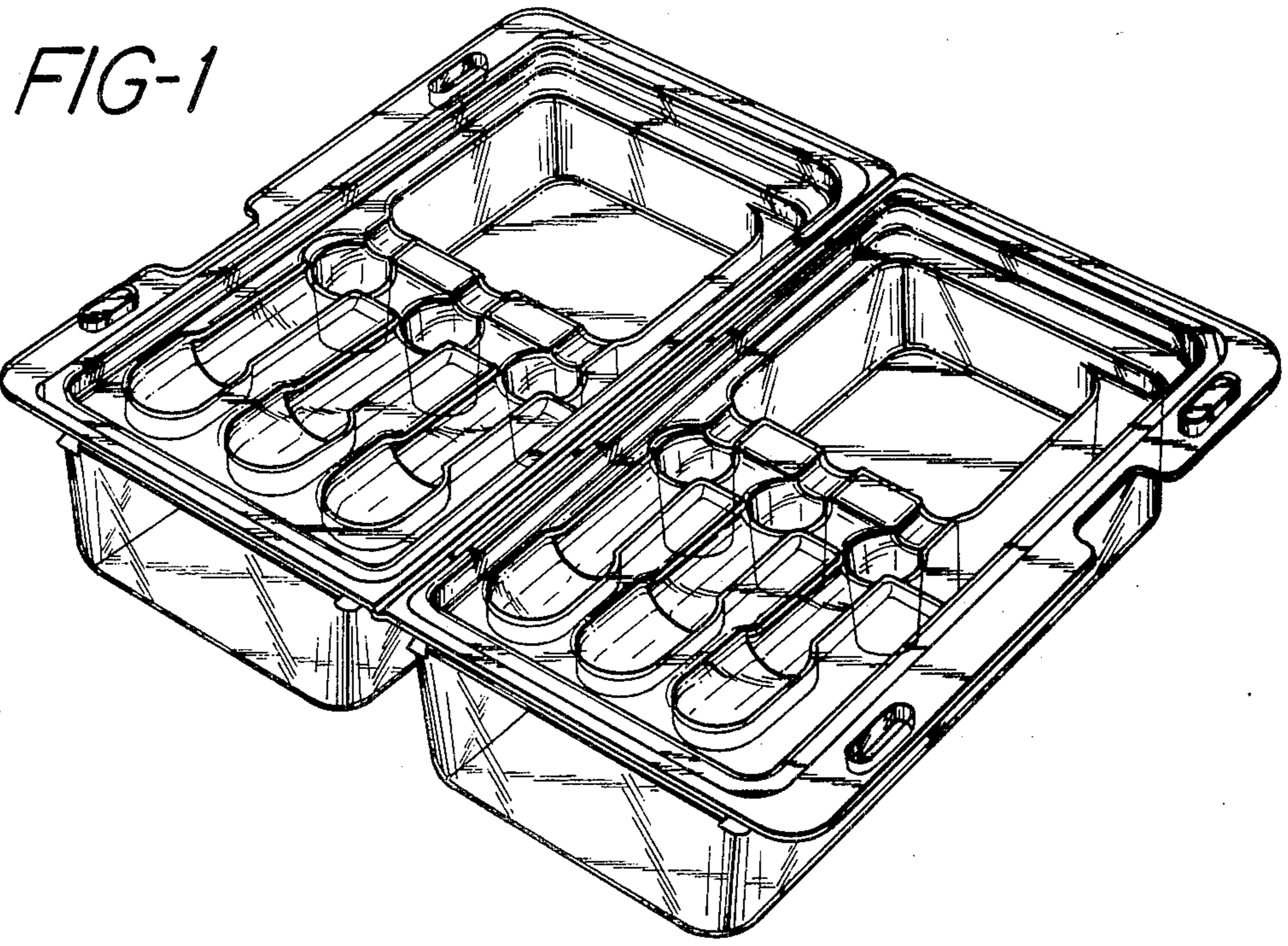


FIG-2

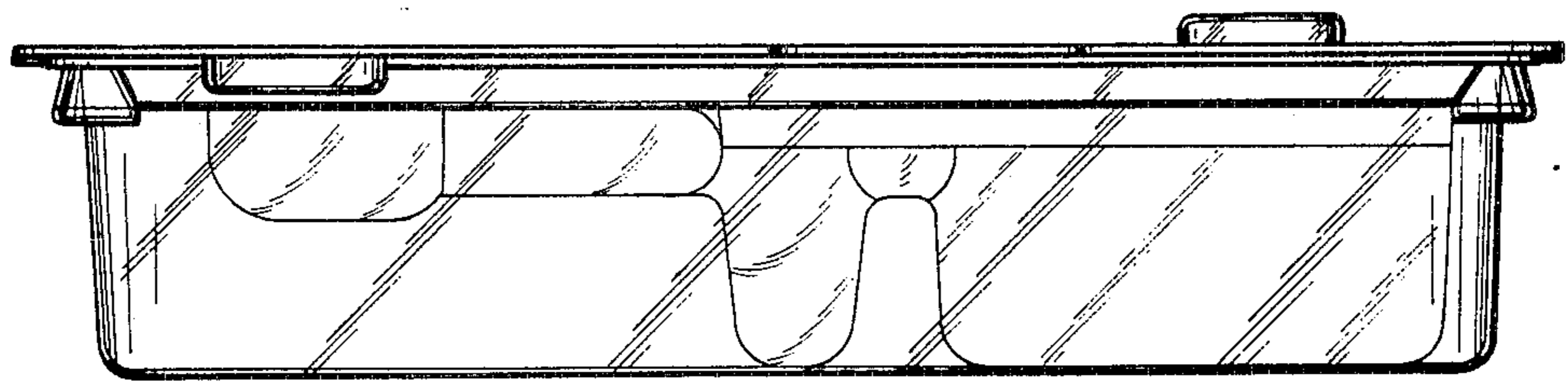


FIG-3

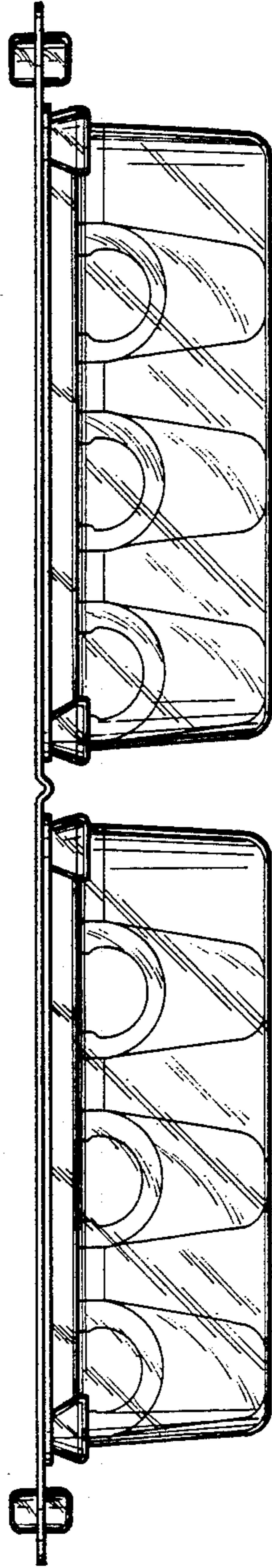
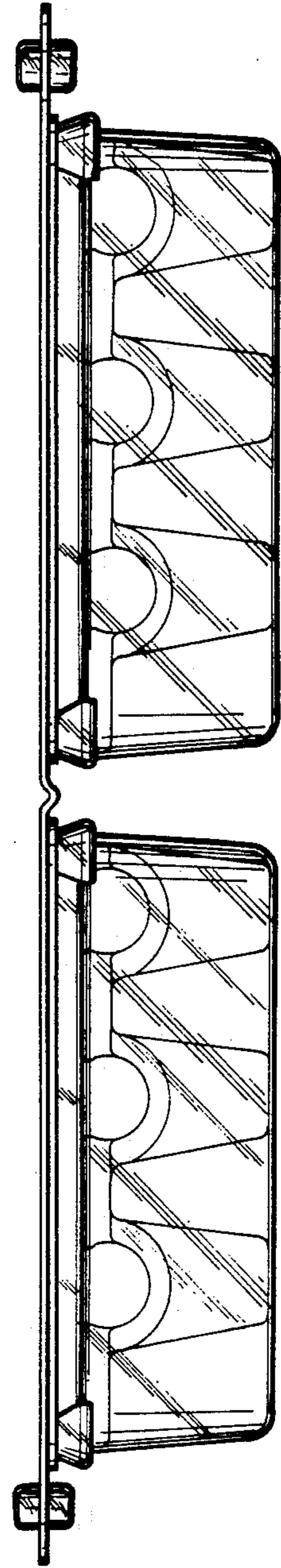


FIG-4



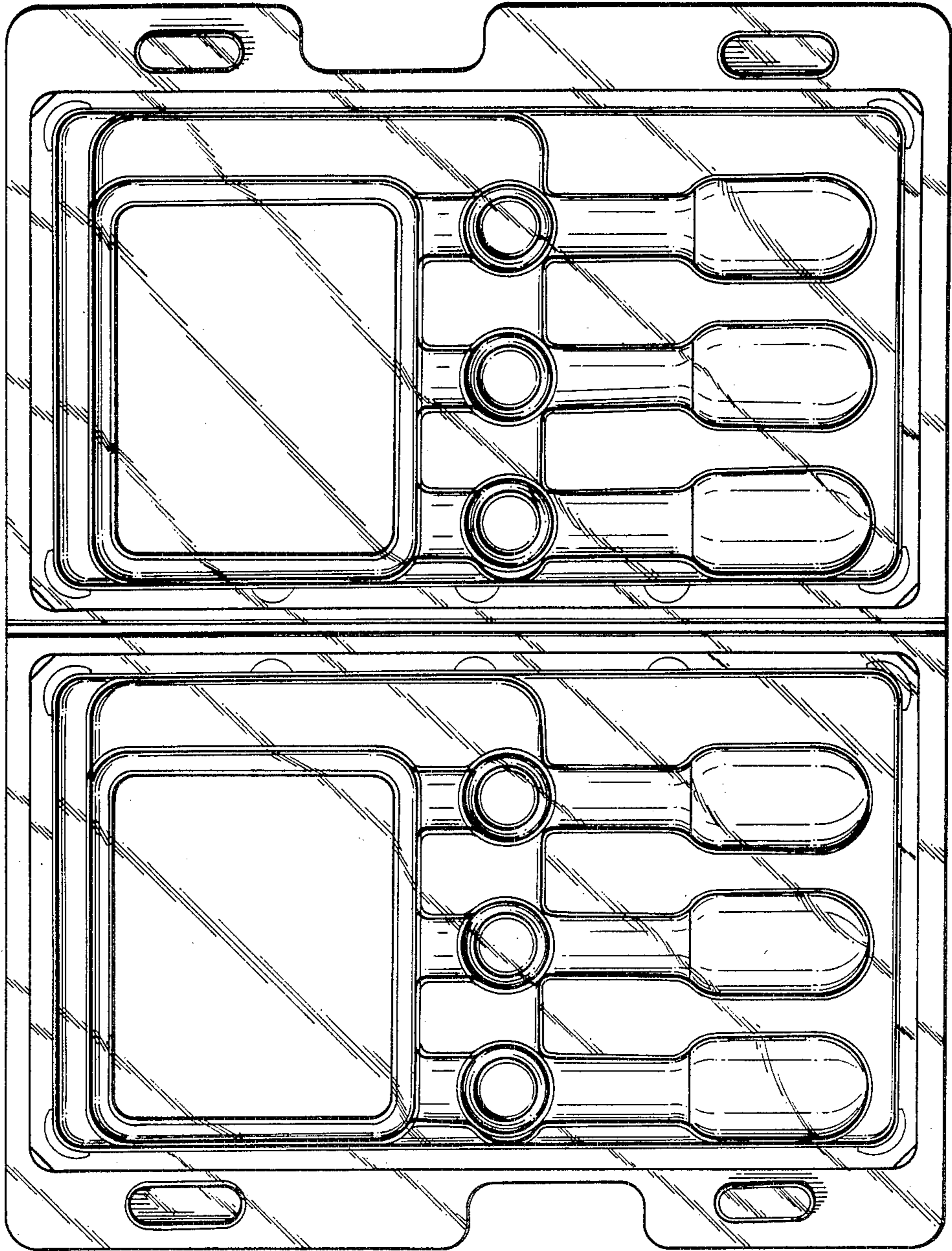


FIG-5

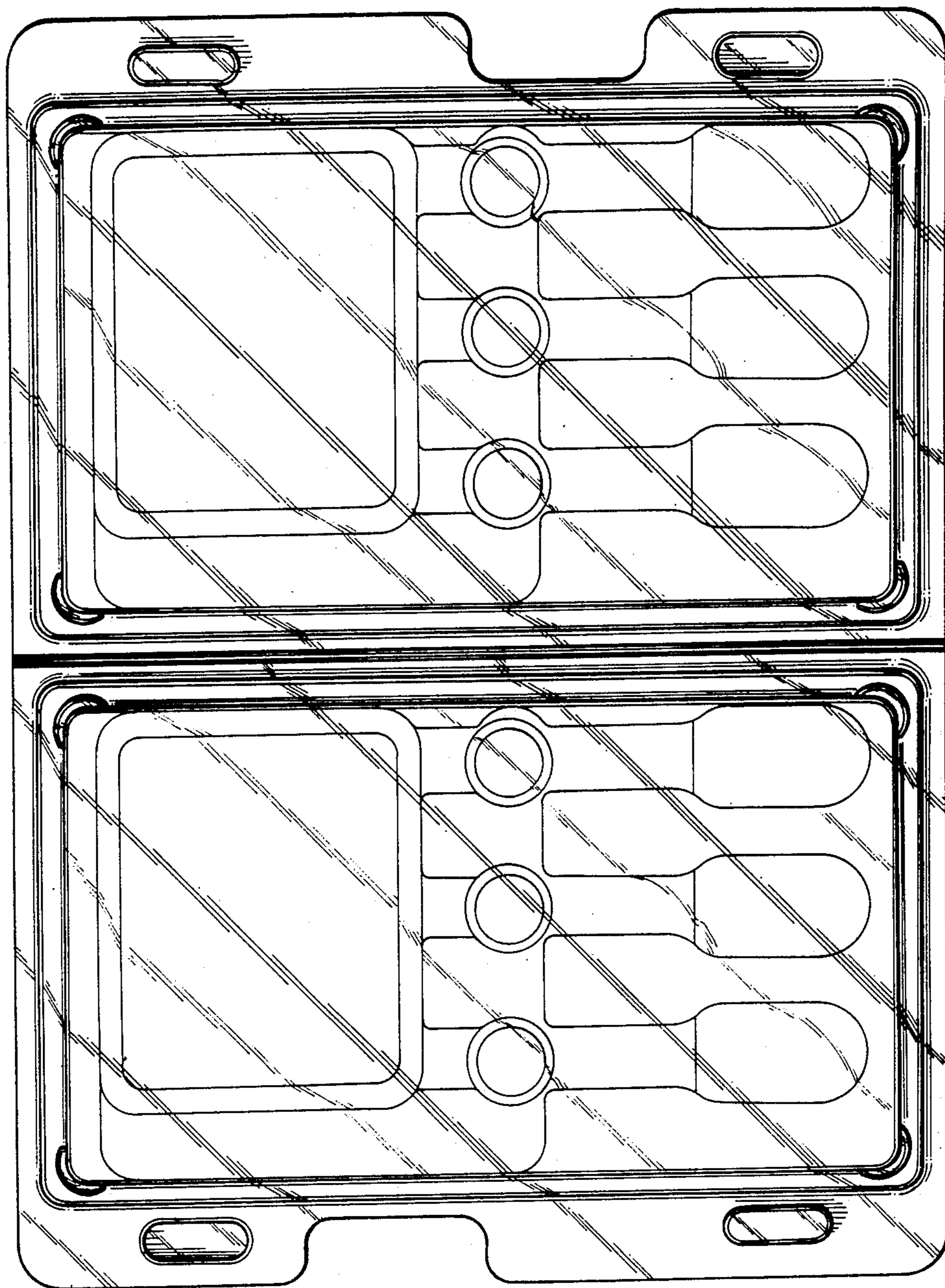


FIG-6

FIG-7

