

[54] DIAGNOSTIC TEST KIT

[75] Inventors: Edward F. Covell, Glen Cove, N.Y.; Raymond C. Shaw, Fairfield, Conn.

[73] Assignee: Tambrands Inc., Lake Success, N.Y.

[**] Term: 14 Years

[21] Appl. No.: 638,730

[22] Filed: Aug. 8, 1984

[52] U.S. Cl. D24/17

[58] Field of Search D24/17, 8, 99; 128/738; 206/569, 45.34; D9/337, 436, 341, 455

[56] References Cited

U.S. PATENT DOCUMENTS

D. 215,774	10/1969	Crane	D24/17
D. 215,774	10/1969	Crane	D24/17
D. 241,173	8/1976	Corneille	D24/17
D. 241,174	8/1976	Corneille	D24/17
D. 274,752	7/1984	Byrne	D24/8
D. 275,789	10/1984	Byrne	D24/8
3,234,107	2/1966	Kaufman et al.	206/569
3,615,222	10/1971	Mead	23/230

OTHER PUBLICATIONS

- Carter-Wallace, Inc. ANSWER At-Home Early Pregnancy Test Kit instruction sheet, Jul. 1981.
- Ortho Pharmaceutical Corporation FACT Pregnancy Test Kit instruction sheet, 1982.
- Warner-Lambert Company E.P.T. Early In-Home Pregnancy Test instruction sheet, undated.
- Warner-Lambert Company E.P.T. Plus Early Pregnancy Test instruction sheet, undated.
- Whitehall Laboratories Inc. PREDICTOR In-Home Early Pregnancy Test instruction sheet, undated.
- J. B. Williams Company, Inc. ACU-TEST In-Home Pregnancy Test instruction sheet, Nov. 1980.

Primary Examiner—A. Hugo Word
Assistant Examiner—Stella M. Reid

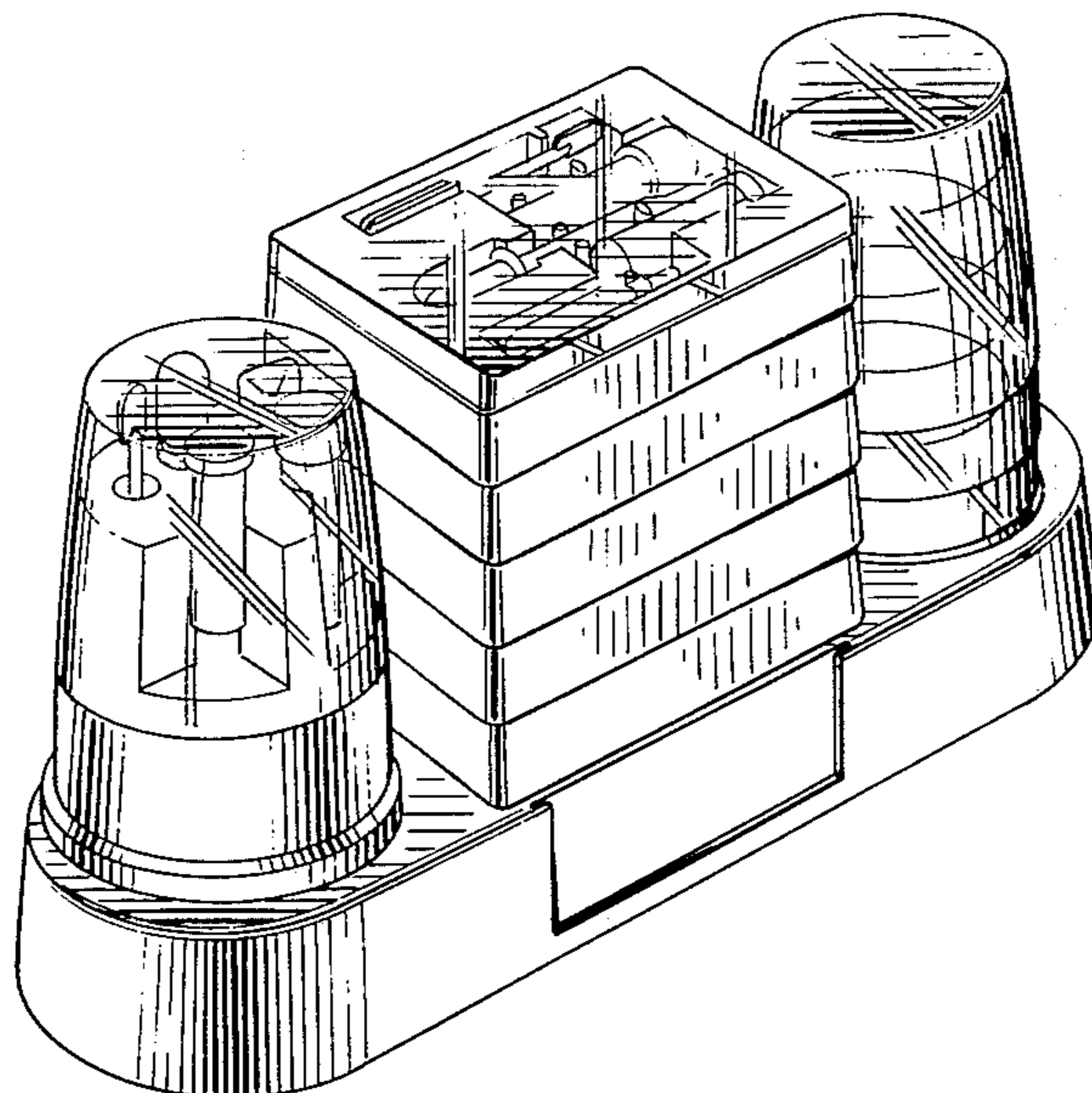
Attorney, Agent, or Firm—John E. Nathan; Jeffery H. Ingerman

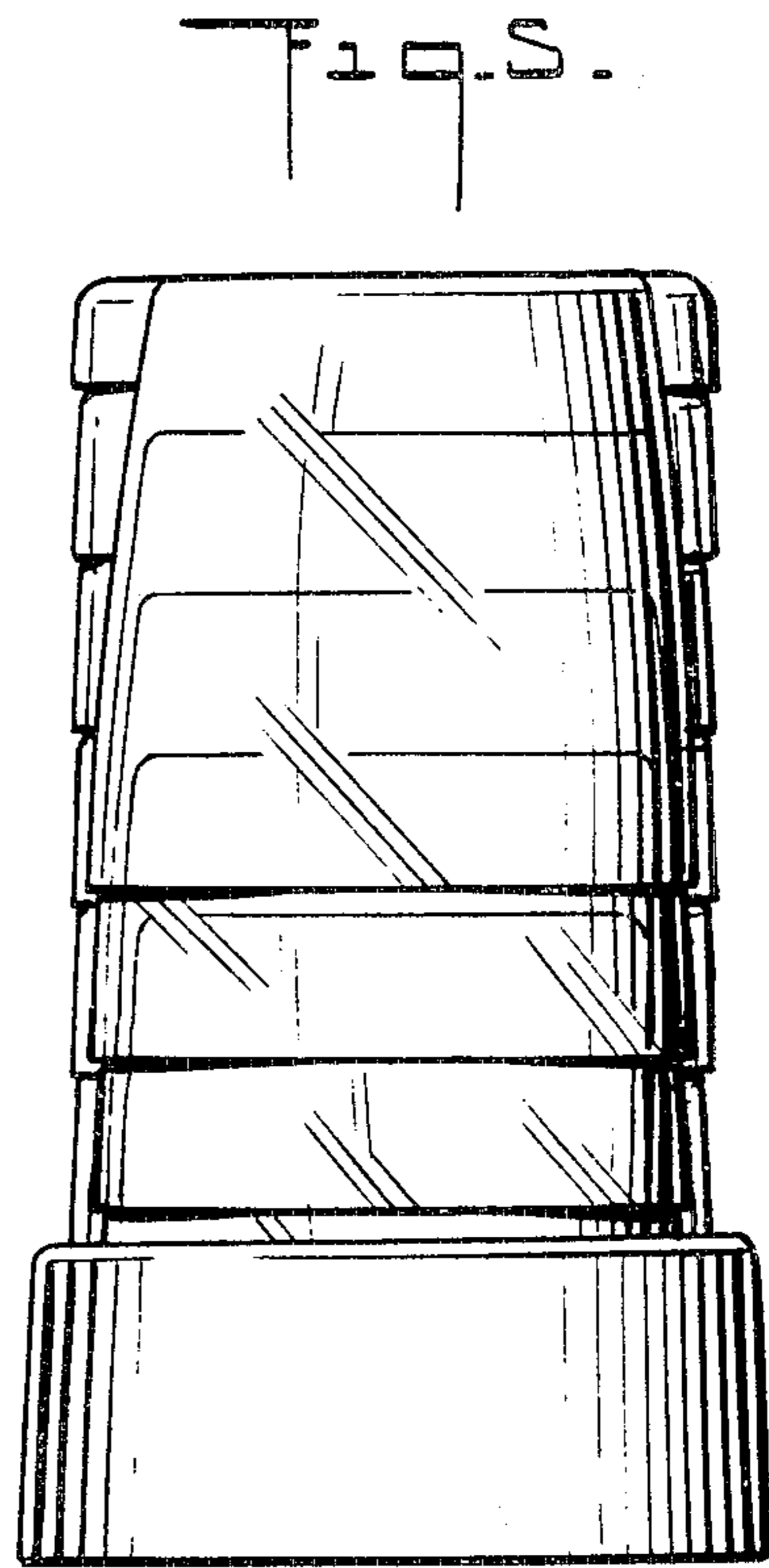
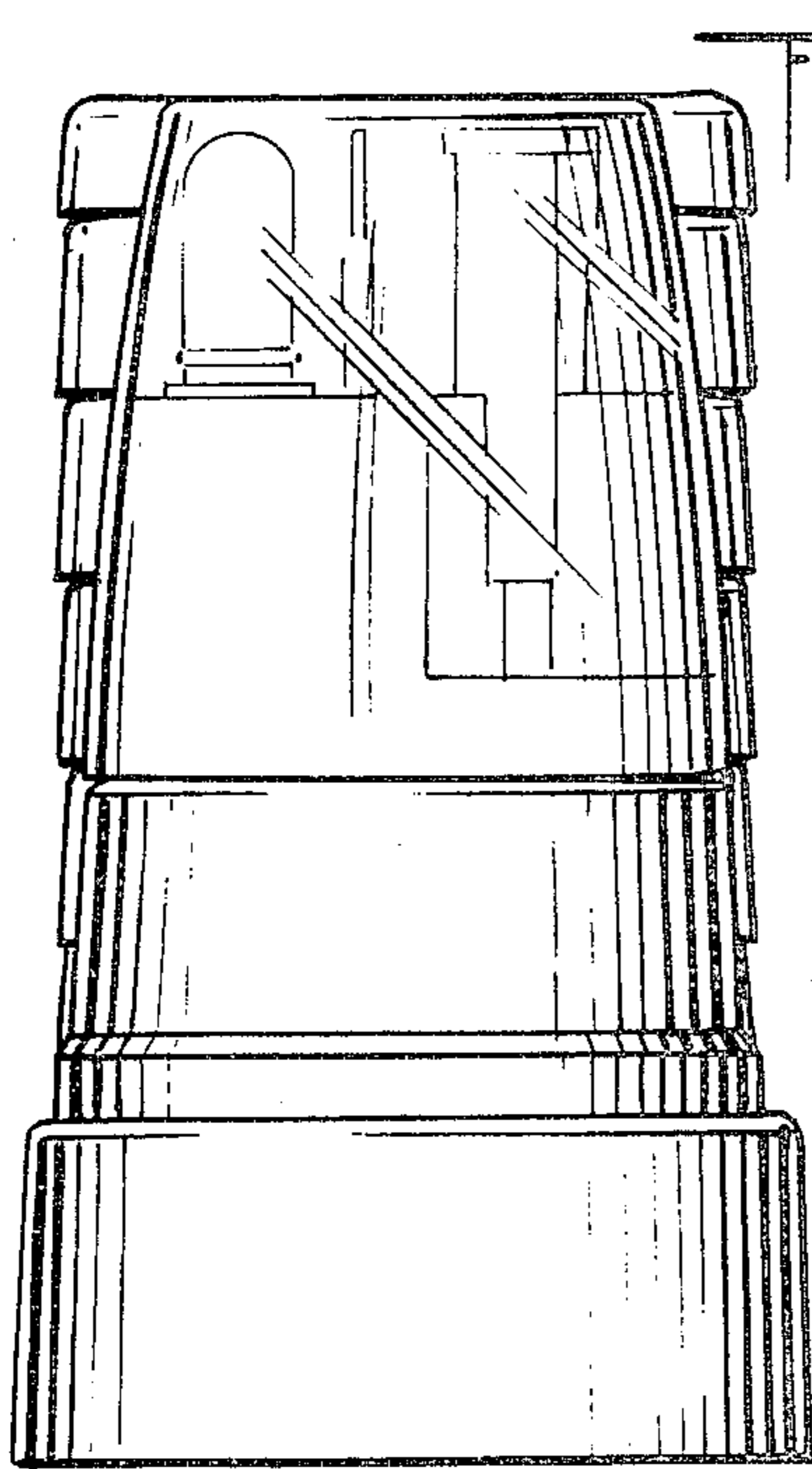
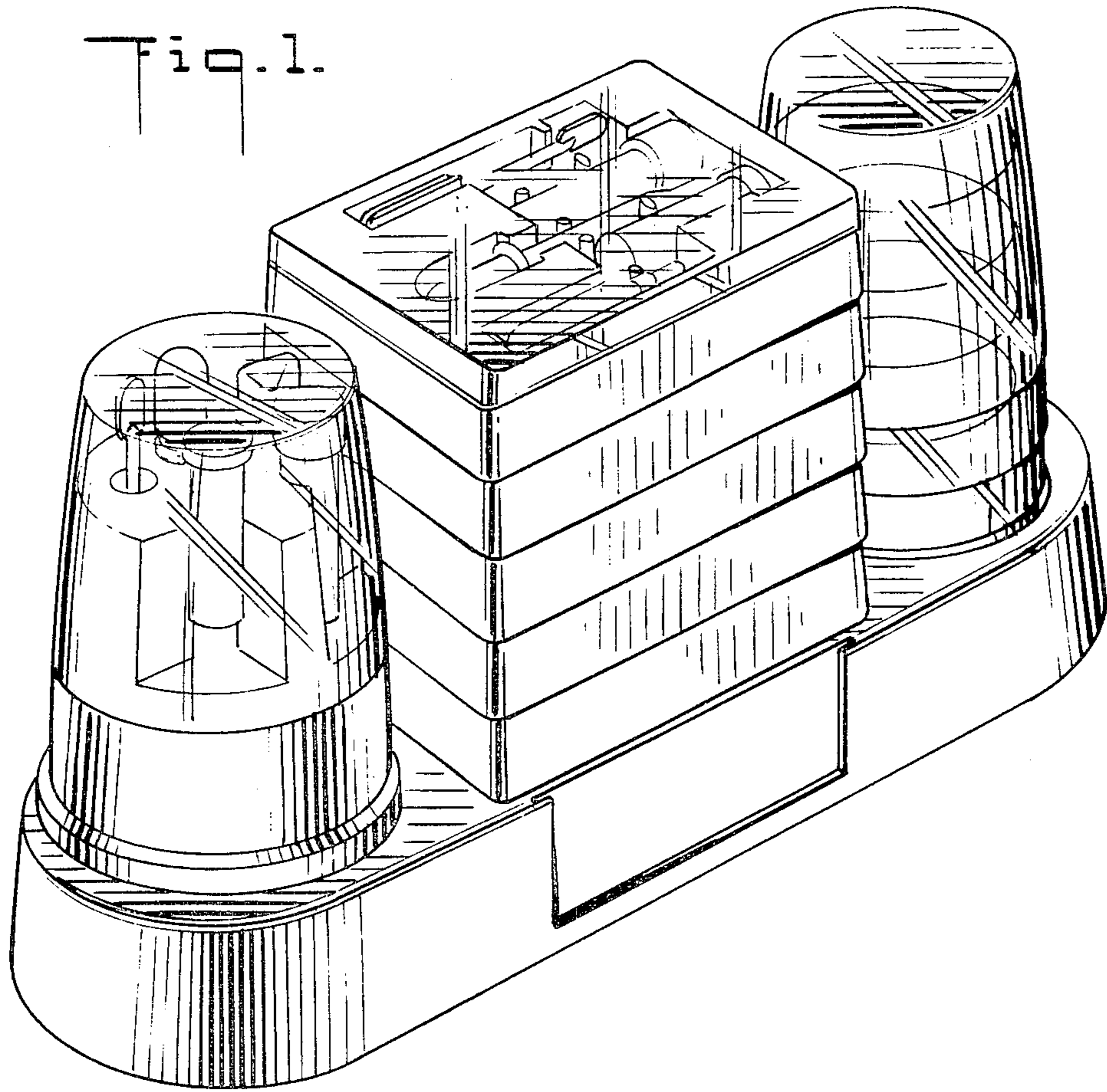
[57] CLAIM

The ornamental design for a diagnostic test kit, as shown and described.

DESCRIPTION

FIG. 1 is an isometric view of a diagnostic test kit showing our new design;
 FIG. 2 is a top plan view of the diagnostic test kit;
 FIG. 3 is a front elevational view of the diagnostic test kit;
 FIG. 4 is a left side elevational view of the diagnostic test kit;
 FIG. 5 is a right side elevational view of the diagnostic test kit;
 FIG. 6 is a rear elevational view of the diagnostic test kit;
 FIG. 7 is a bottom plan view of the diagnostic test kit;
 FIG. 8 is an exploded isometric view of the diagnostic test kit with its test stand cover, the cover of its first refill utensil tray, and one of its additional covers removed;
 FIG. 9 is a top plan view of the diagnostic test kit taken from line 9—9 of FIG. 8;
 FIG. 10 is an exploded isometric view of the diagnostic test kit without its test stand cover, the cover of its first refill utensil tray, or one of its additional covers, with its utensils and its first refill set of utensils removed;
 FIG. 11 is a top plan view of the diagnostic test kit taken from line 11—11 of FIG. 10;
 FIG. 12 is an exploded isometric view of the diagnostic test kit without its test stand cover, the cover of its first refill utensil tray, its first additional cover, its utensils, or its first refill set of utensils, with its test stand, its refill utensil trays, and its additional covers removed from its base;
 FIG. 13 is a top plan view of the base of the diagnostic test kit, taken from line 13—13 of FIG. 12; and
 FIG. 14 is a bottom plan view of a refill utensil tray, taken from line 14—14 of FIG. 12.





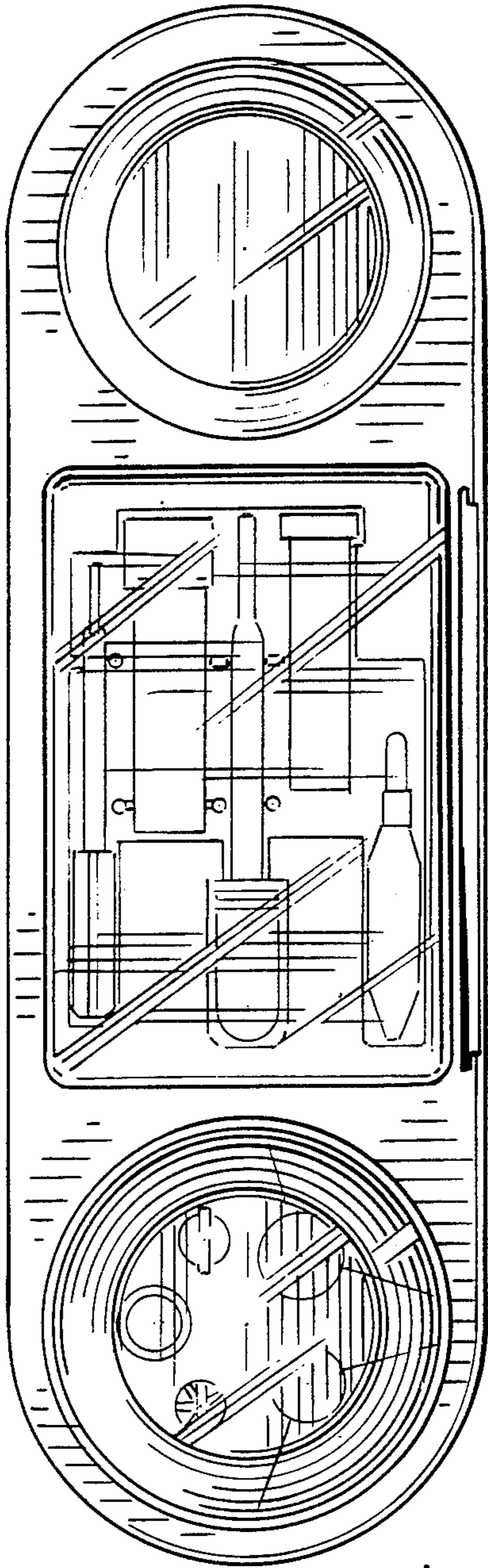
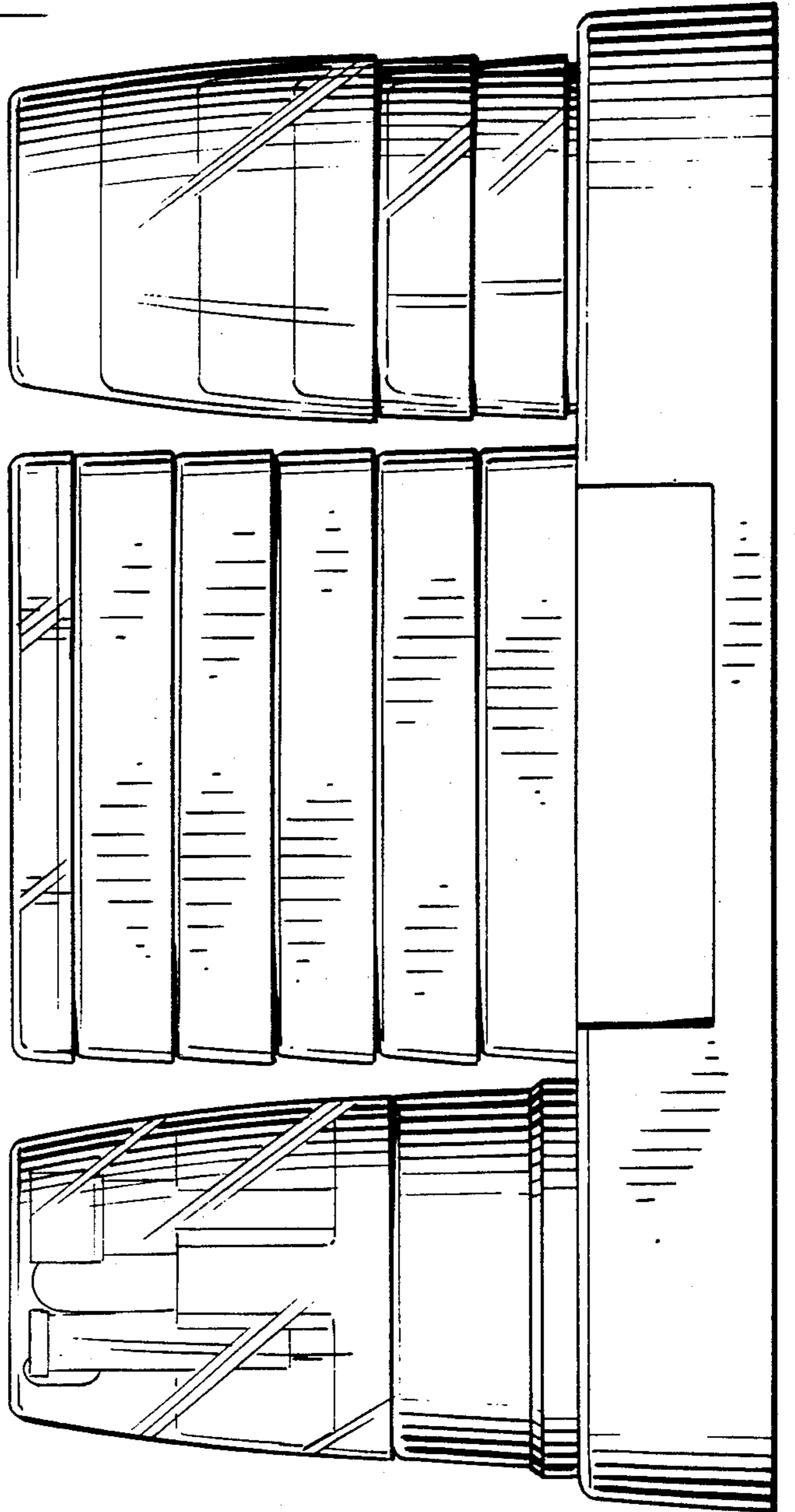


Fig. 2.

Fig. 3.



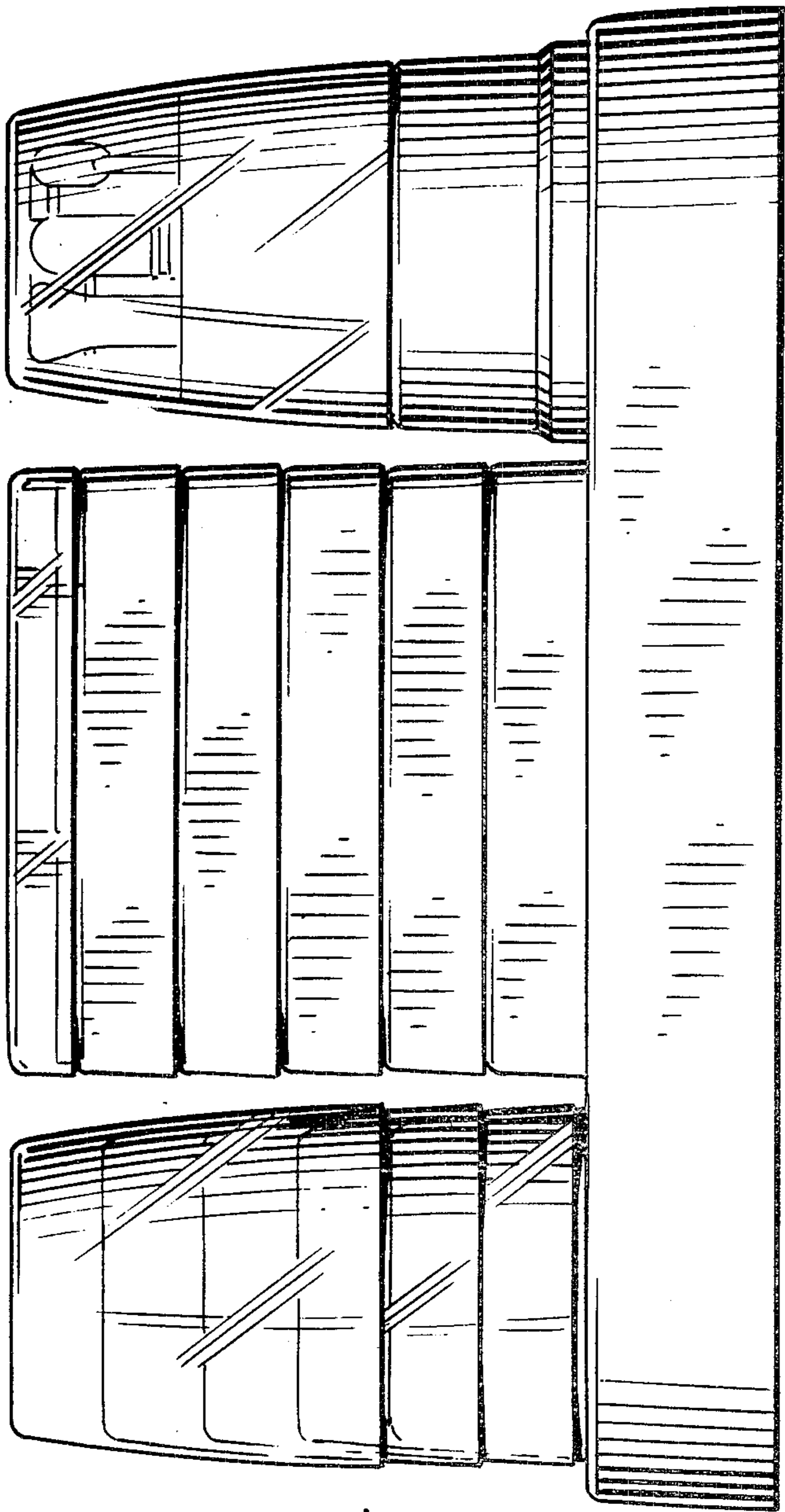


Fig. 6.

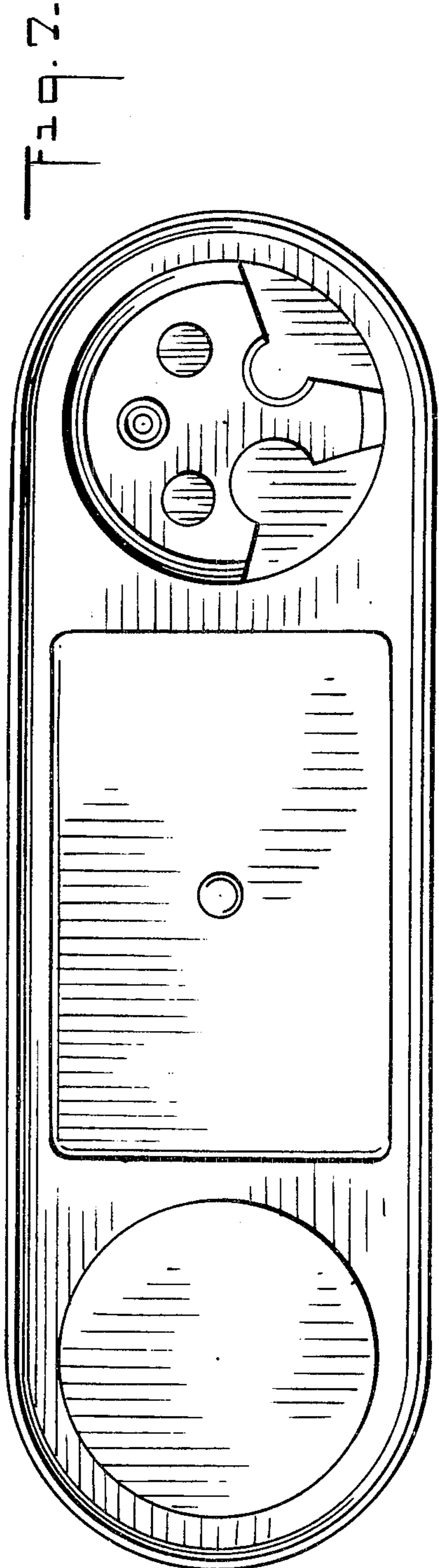


Fig. 7.

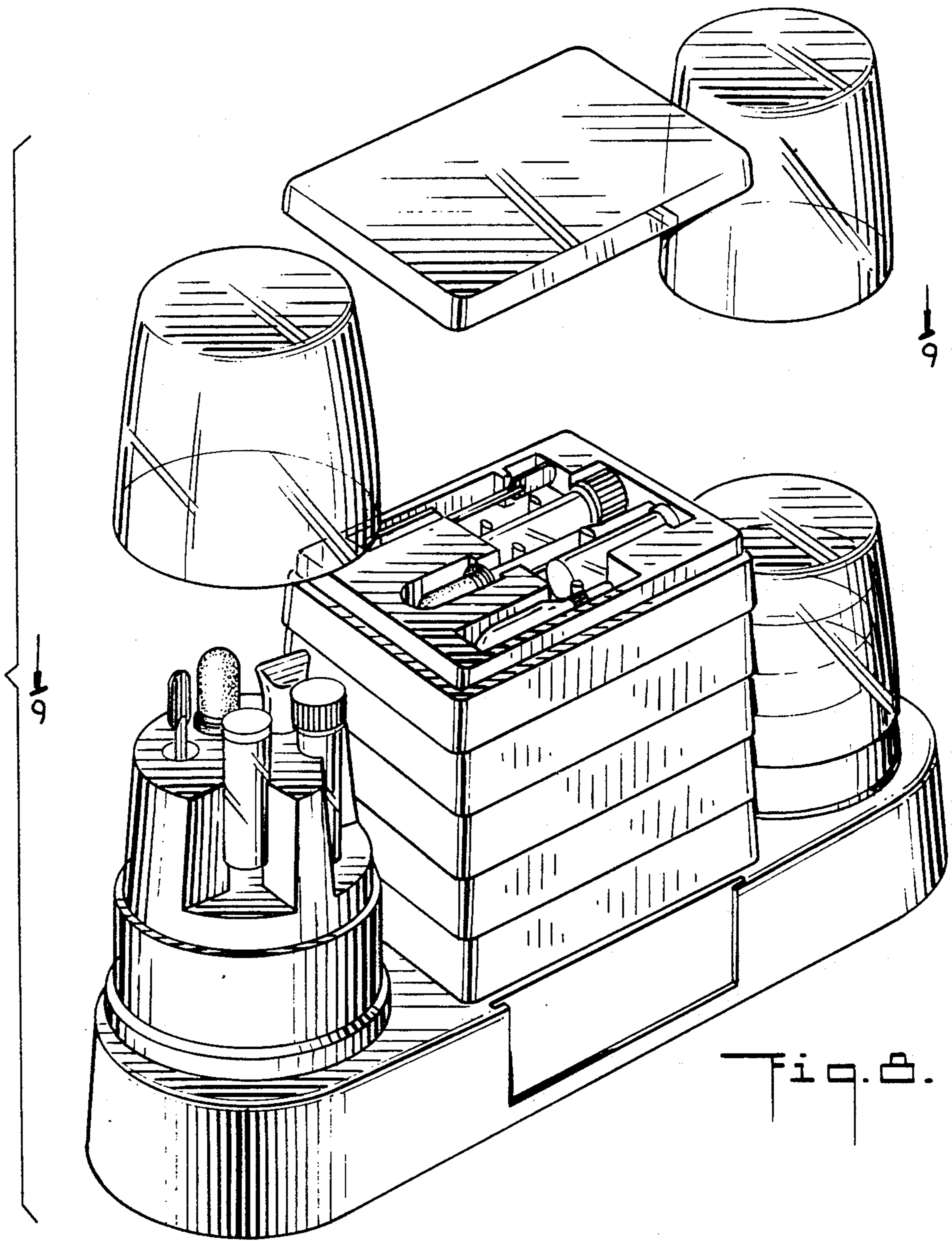


Fig. 14.

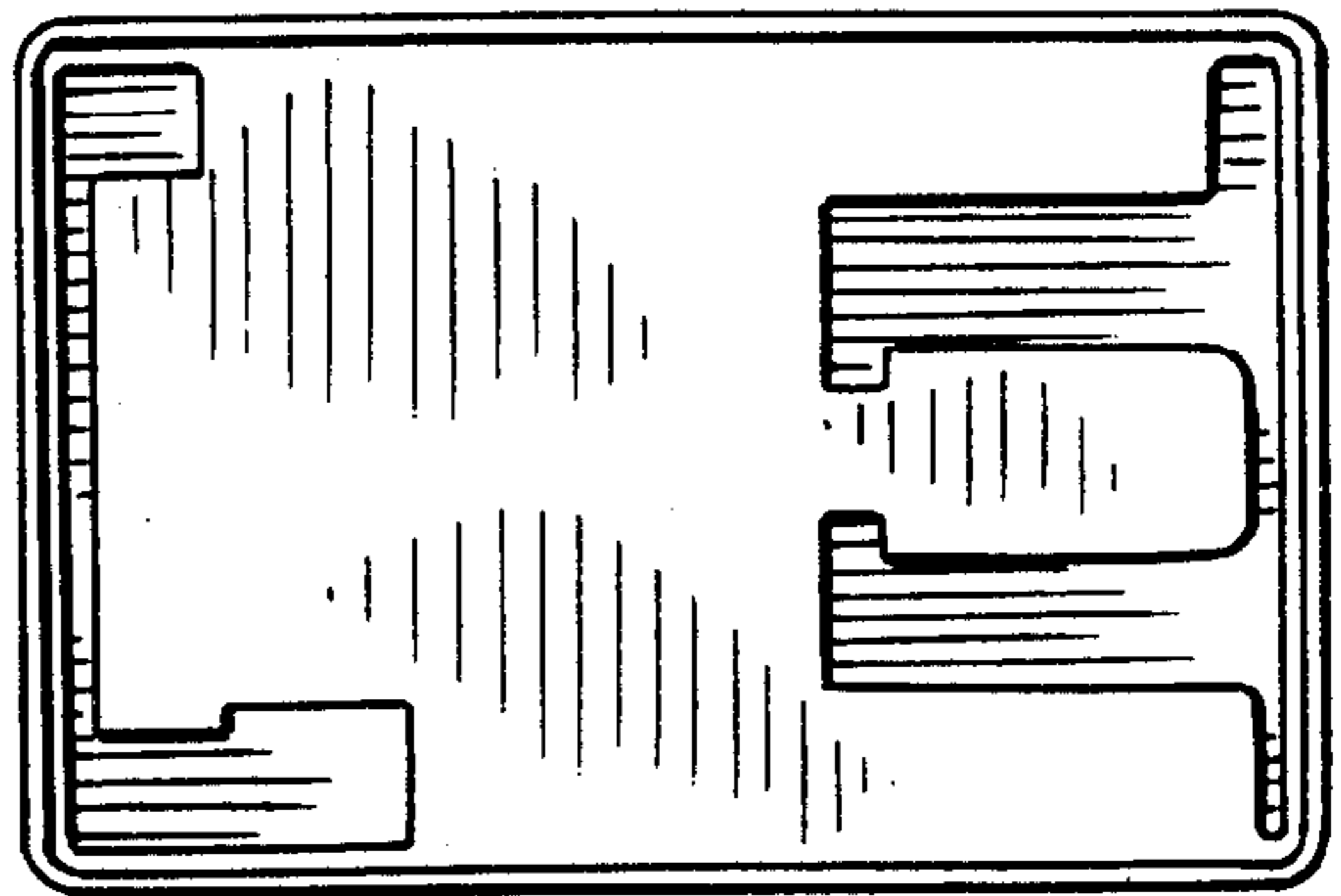


Fig. 9.

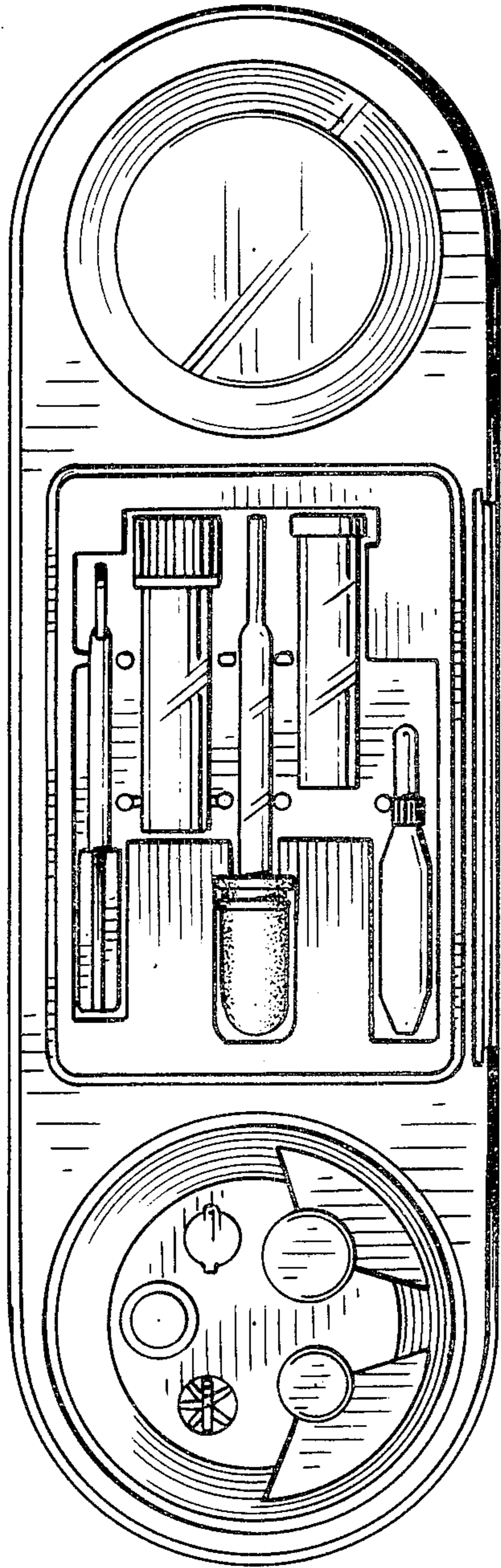
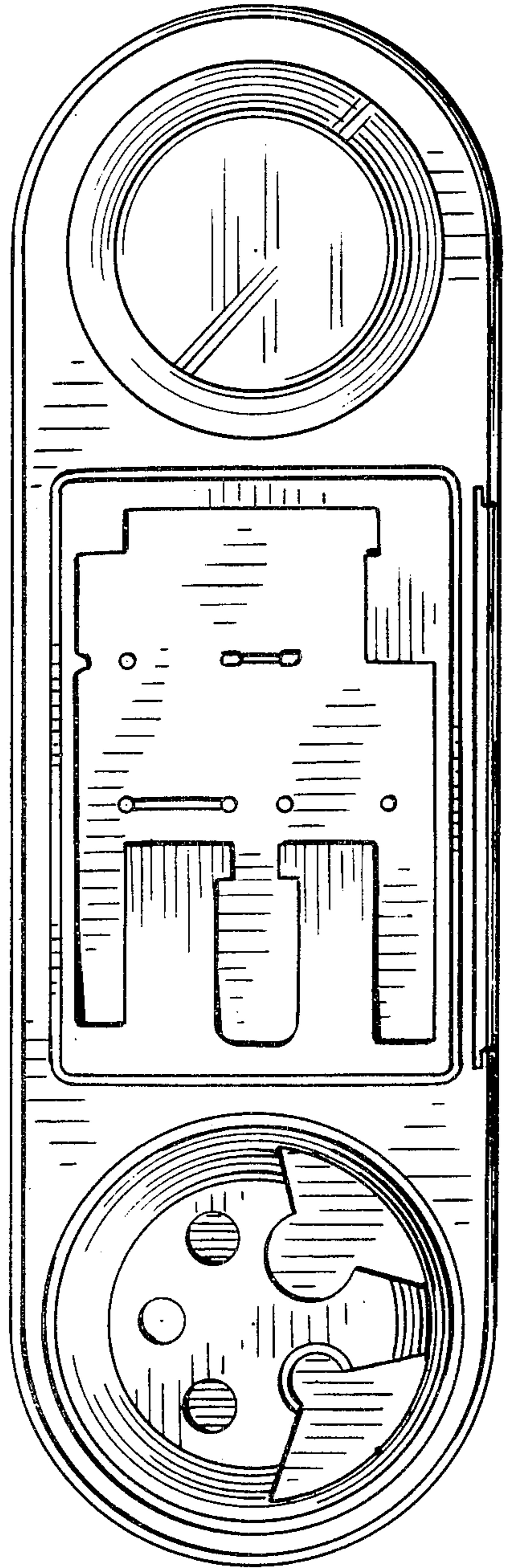


Fig. 11.



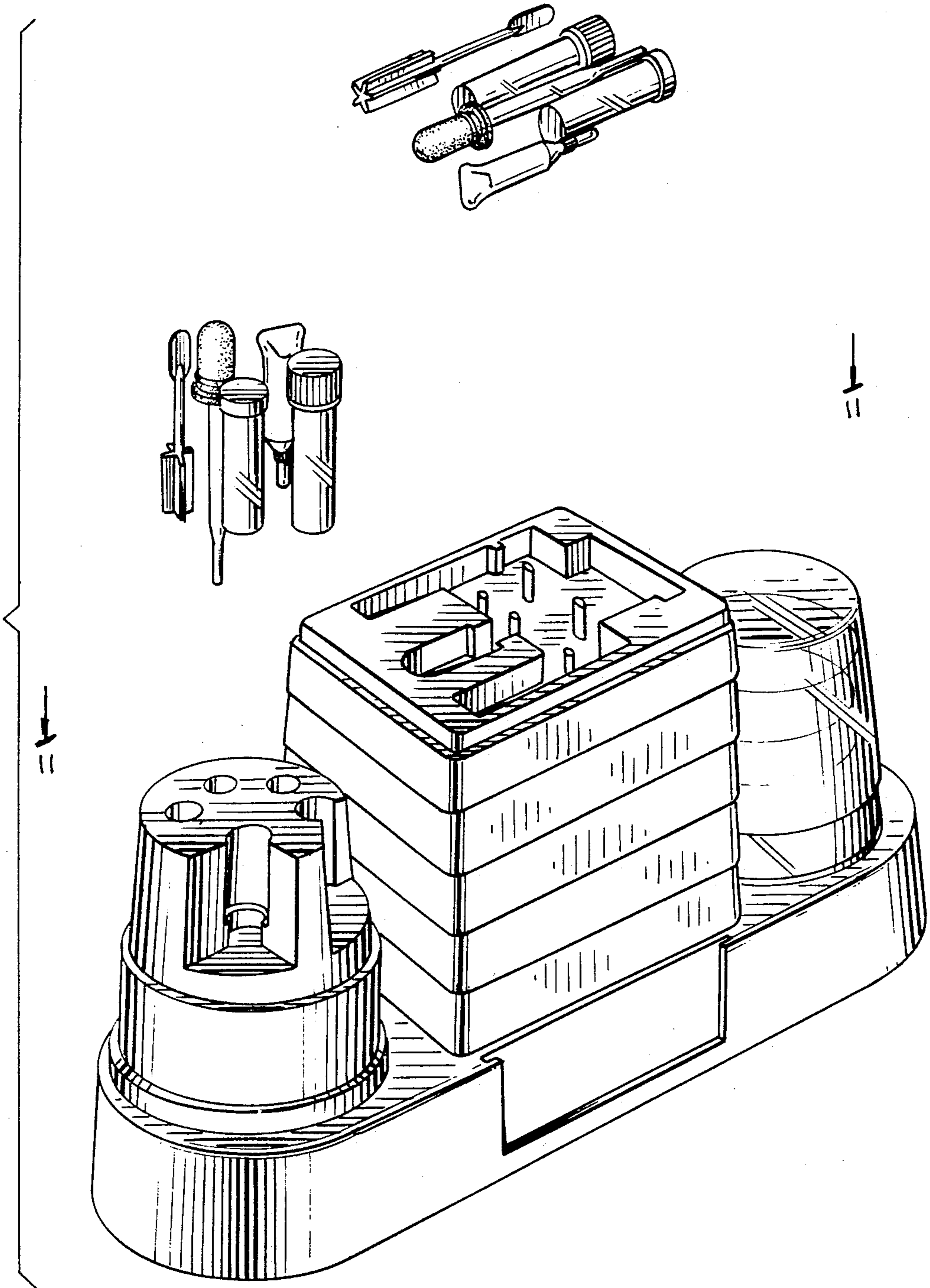


Fig. 10.

Fig. 12.

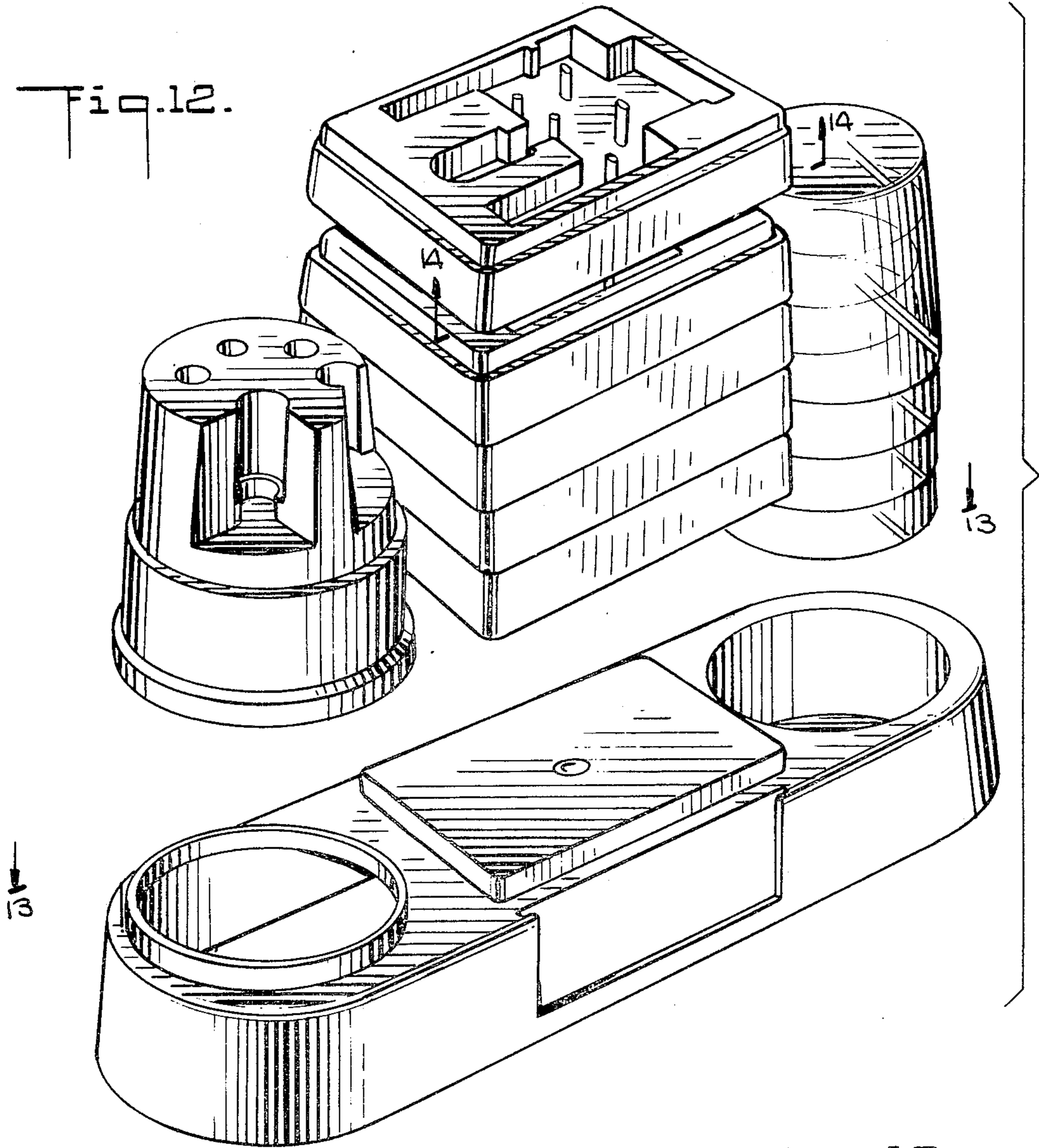


Fig. 13.

