

[54] CLINICAL CHEMISTRY ANALYZER

[56]

References Cited

U.S. PATENT DOCUMENTS

[75] Inventors: Scott W. Carlson, Blaine; Walter L. Sembrowich, Shoreview; Mark B. Knudson, Arden Hills; Richard L. Little, New Hope; Ronald E. Eibensteiner, Arden Hills; Logan W. Johnson, Edina; Roger L. Funk, Cedar, all of Minn.

D. 210,721	4/1968	Albrecht	D10/81
D. 251,774	5/1979	Olson et al.	D10/81
D. 264,873	6/1982	Olson et al.	D24/1.1
D. 269,416	6/1983	Retzer et al.	D10/81
D. 272,087	1/1984	Smith	D24/17 X
3,718,439	2/1973	Rosse et al.	356/39 X
4,225,410	9/1980	Pace	204/406 X

Primary Examiner—A. Hugo Word
Assistant Examiner—Stella M. Reid
Attorney, Agent, or Firm—Dorsey & Whitney

[73] Assignee: SenTech Medical Corporation, Arden Hills, Minn.

[57]

CLAIM

The ornamental design for a clinical chemistry analyzer, substantially as shown and described.

[**] Term: 14 Years

DESCRIPTION

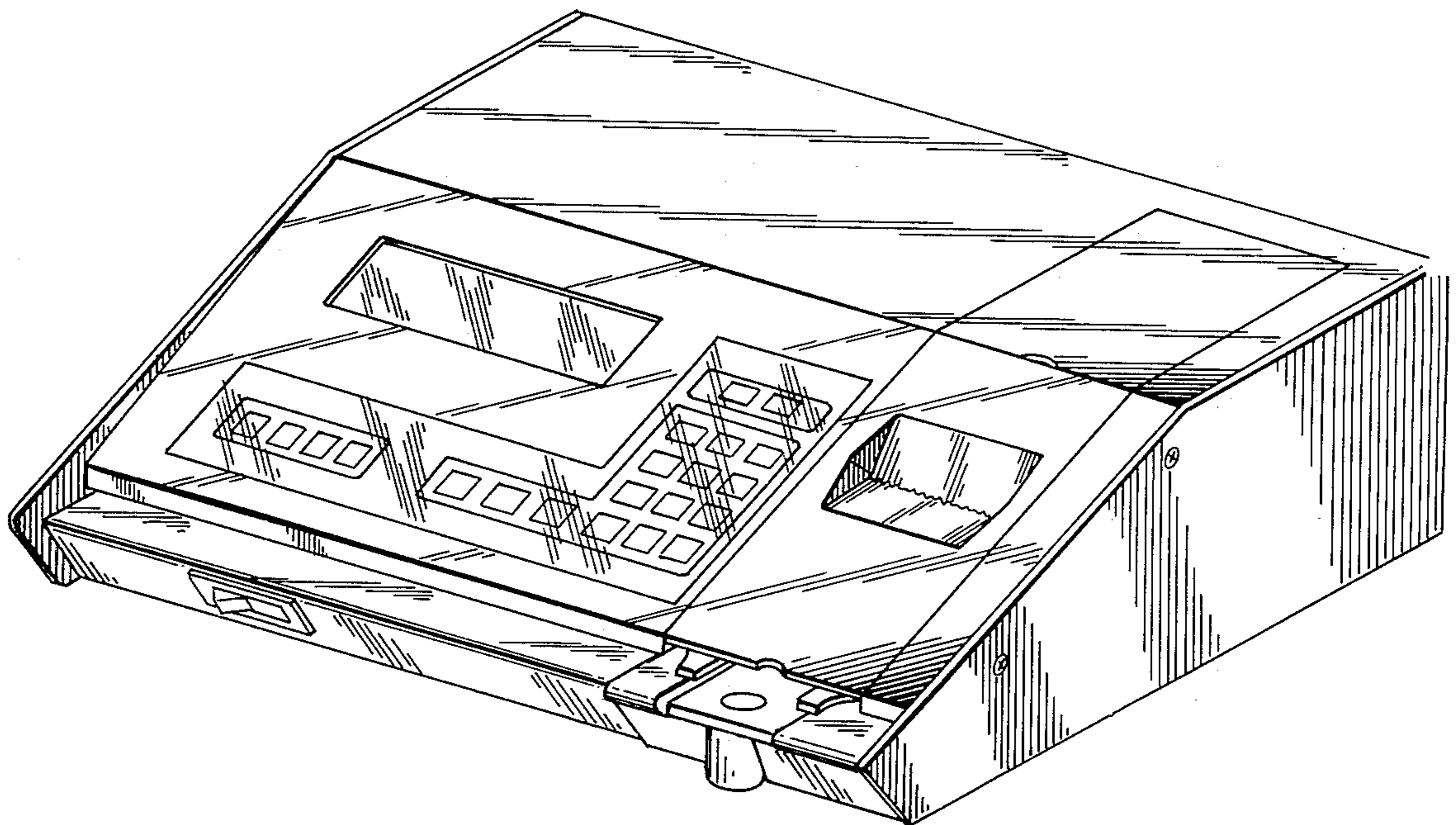
[21] Appl. No.: 622,983

FIG. 1 is a perspective view of a clinical chemistry analyzer showing our new design;
FIG. 2 is a top plan view thereof;
FIG. 3 is a front elevational view thereof;
FIG. 4 is a left side elevational view thereof;
FIG. 5 is a right side elevational view thereof;
FIG. 6 is a rear elevational view thereof; and
FIG. 7 is a bottom plan view thereof.

[22] Filed: Jun. 21, 1984

[52] U.S. Cl. D24/17; D24/1.1

[58] Field of Search D24/17, 21, 8, 1.1; D10/81; 128/630, 637; 204/4.2, 406; 73/864.23, 864.24; 356/39, 40, 213; 422/50



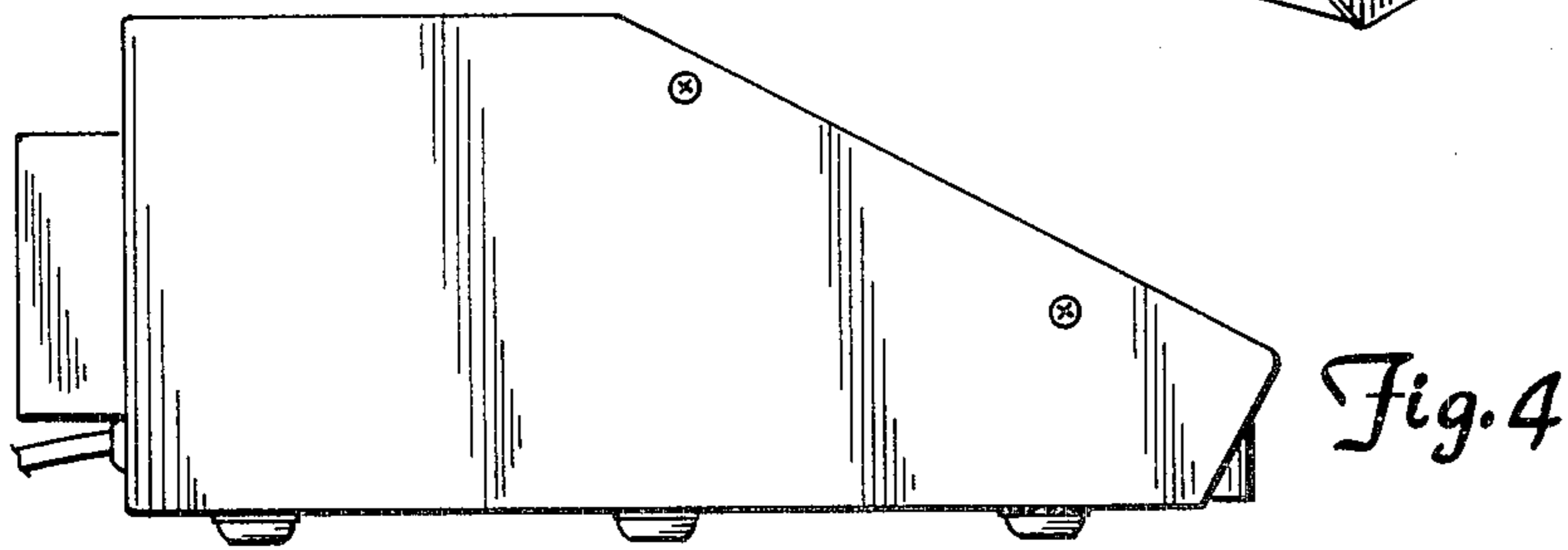
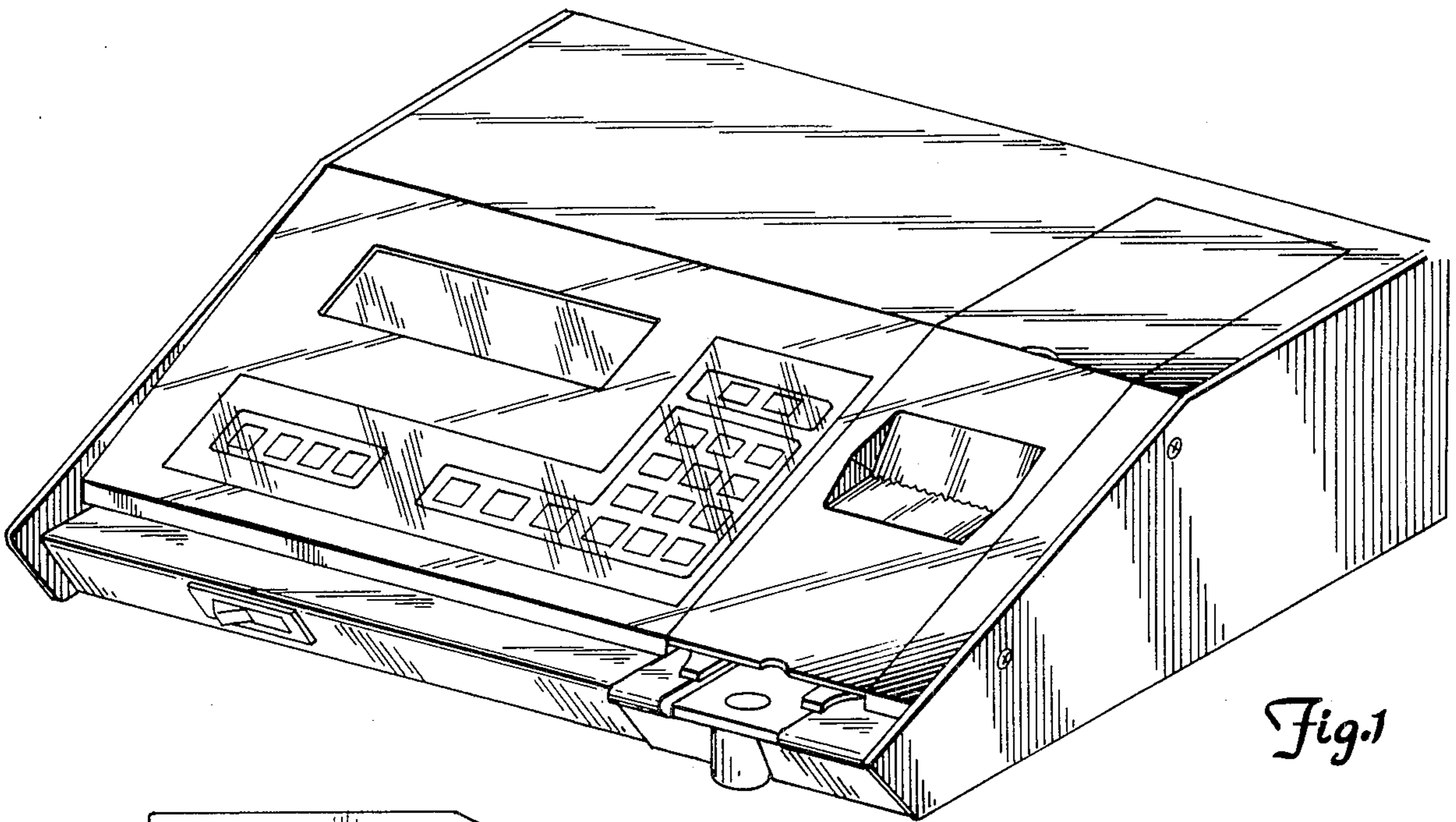


Fig. 5

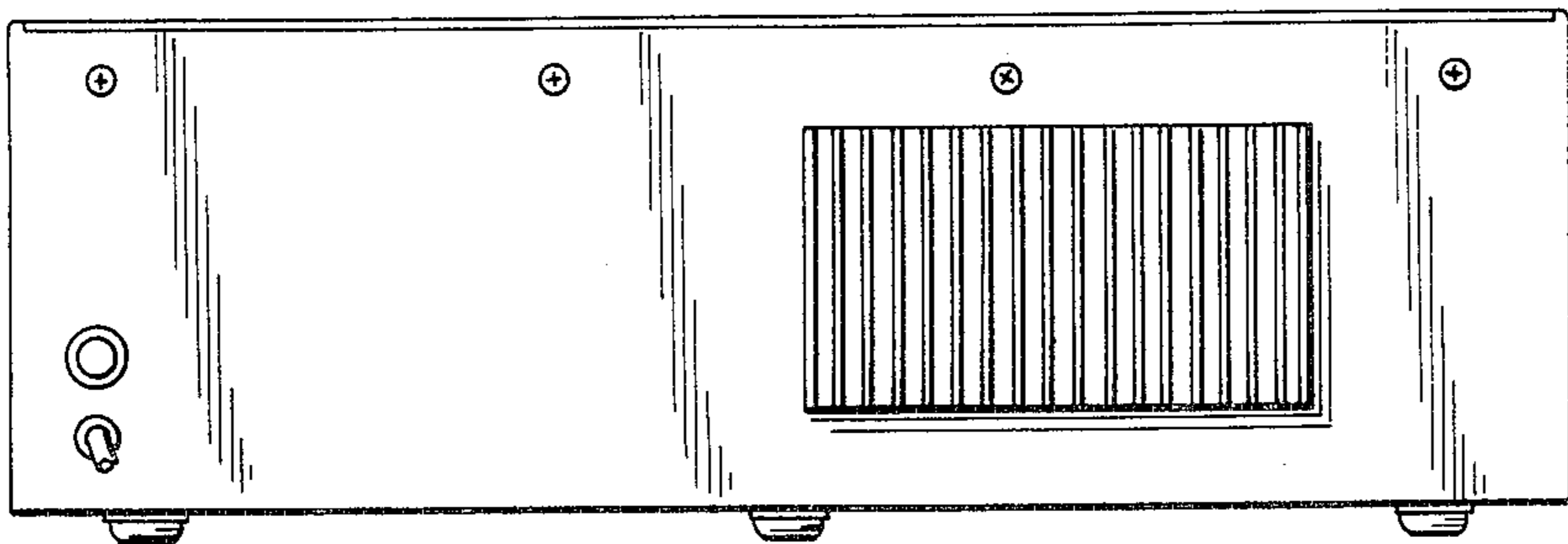
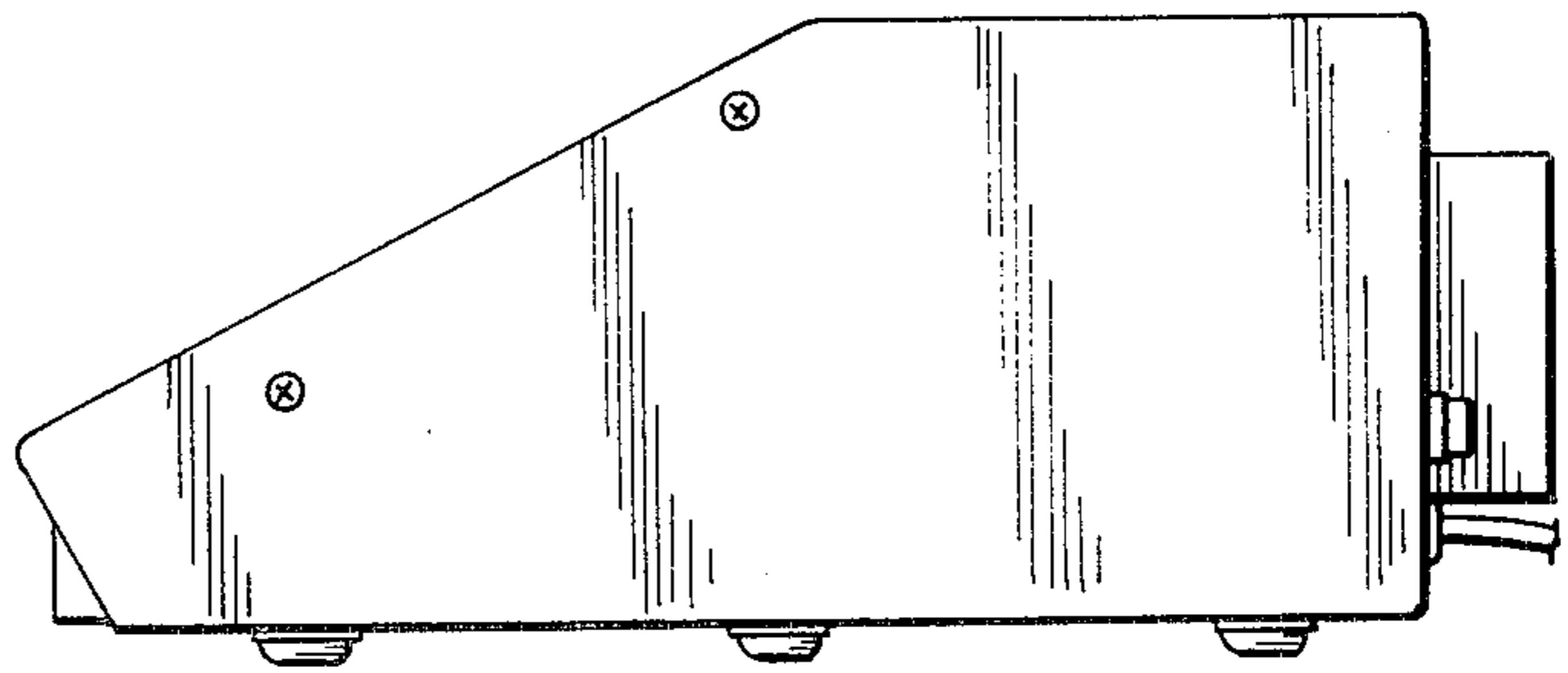


Fig. 6

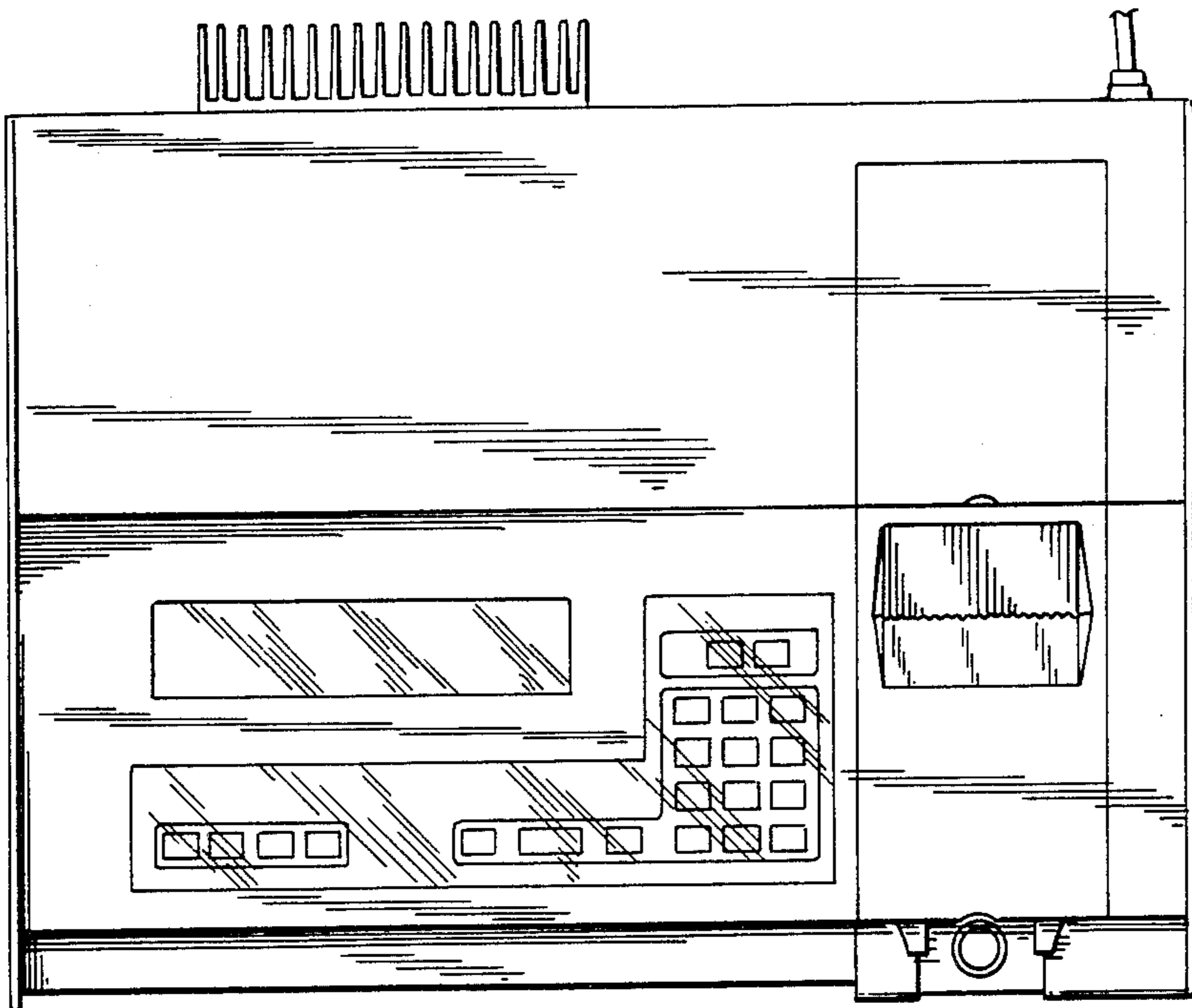


Fig. 2

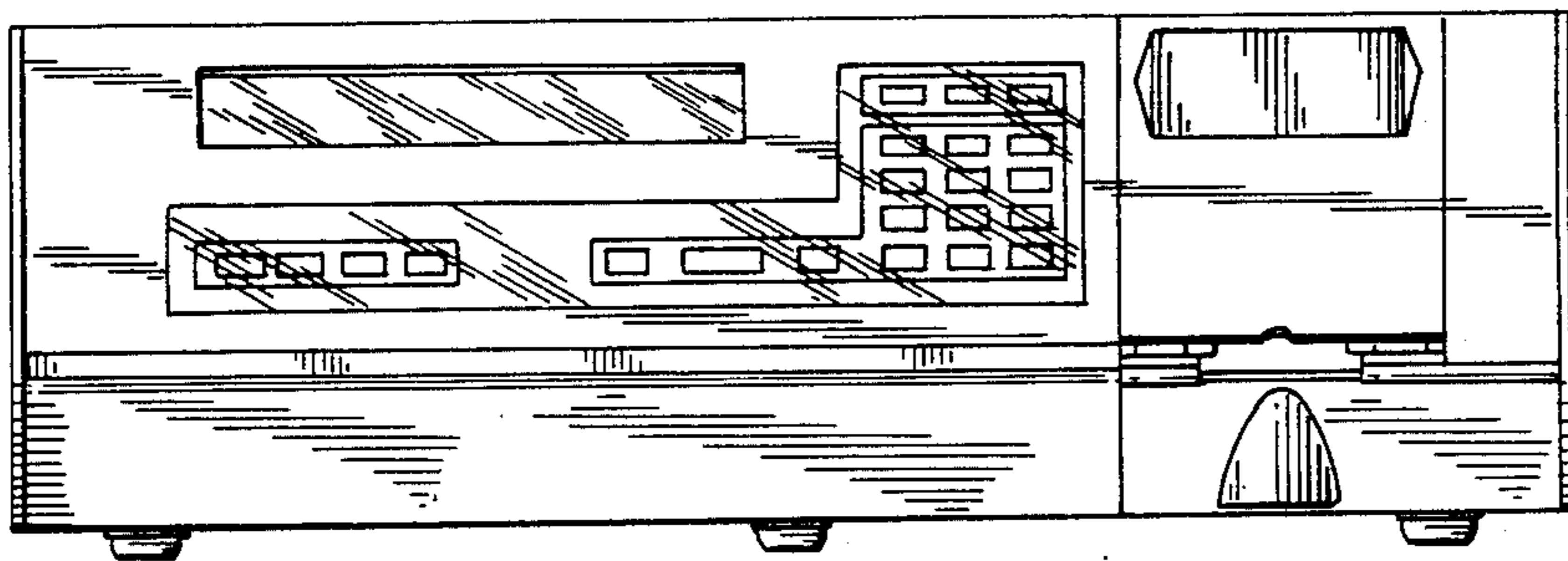


Fig. 3

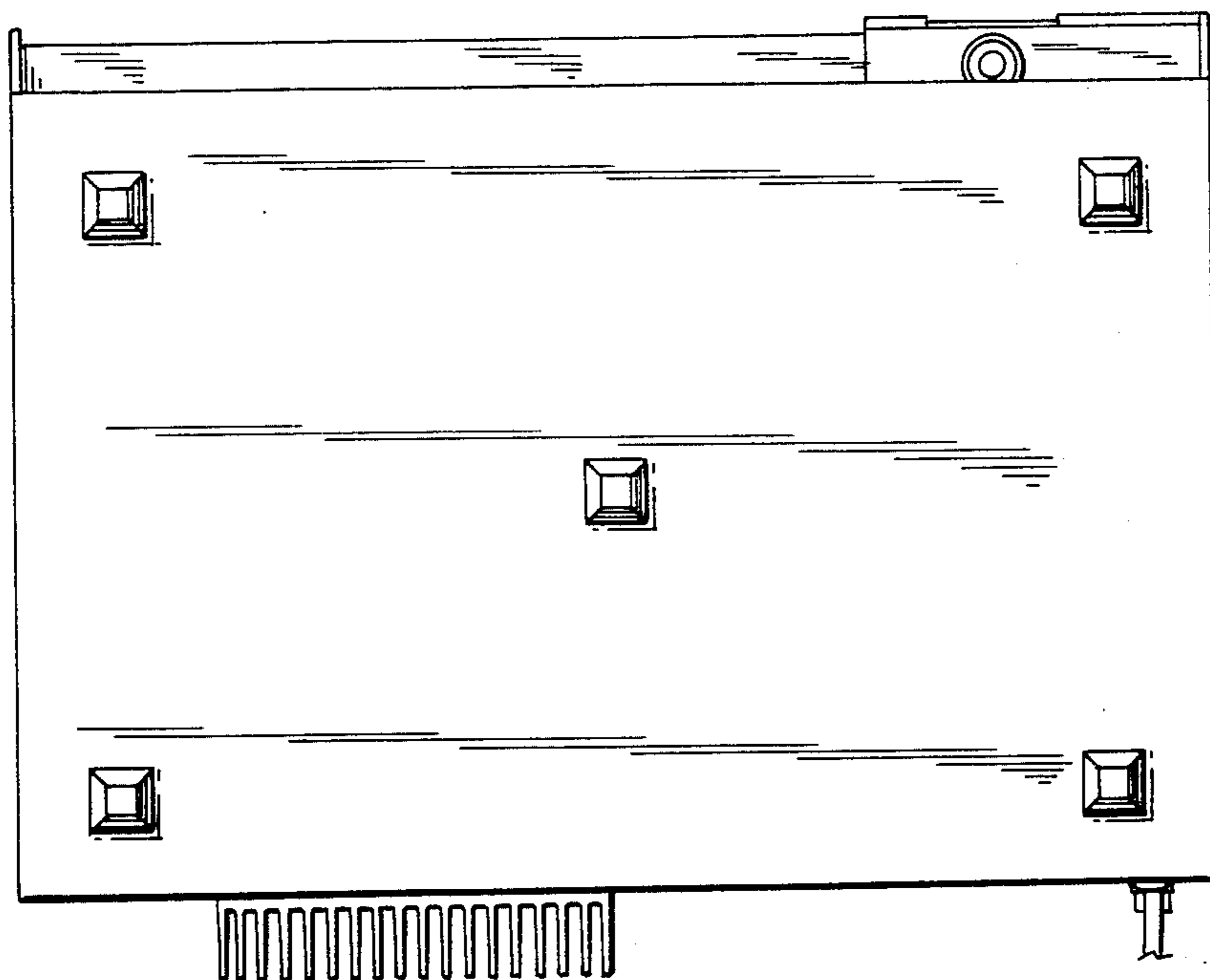


Fig. 7