

[54] GAS FILTER

[75] Inventor: Guido Ebnoether, Urdorf, Switzerland

[73] Assignee: LUWA AG, Zürich, Switzerland

[**] Term: 14 Years

[21] Appl. No.: 651,115

[22] Filed: Sep. 17, 1984

[30] Foreign Application Priority Data

Mar. 23, 1984 [CH] Switzerland DM/003 554

[52] U.S. Cl. D23/149

[58] Field of Search D23/1-4, D23/139, 149-150, 151; 55/159, 220, 315, 385 D, 385 R, 400, 529

[56] References Cited

U.S. PATENT DOCUMENTS

D. 222,252	10/1971	Coleman et al.	D23/2
D. 222,254	10/1971	Kattelmann et al.	D23/2
3,630,361	12/1971	Keating	210/136 X
4,265,647	5/1981	Donachiue	55/315

Primary Examiner—B. J. Bullock
Assistant Examiner—Brian N. Vinson
Attorney, Agent, or Firm—Werner W. Kleeman

[57] CLAIM

The ornamental design for gas filter, as shown and described.

DESCRIPTION

FIG. 1 is a perspective view of a gas filter showing my new design;
FIG. 2 is a front elevational view thereof;
FIG. 3 is a right side elevational view thereof, the left side being a mirror image thereof;
FIG. 4 is a top plan view thereof;
FIG. 5 is a rear elevational view thereof; and
FIG. 6 is a bottom plan view thereof.

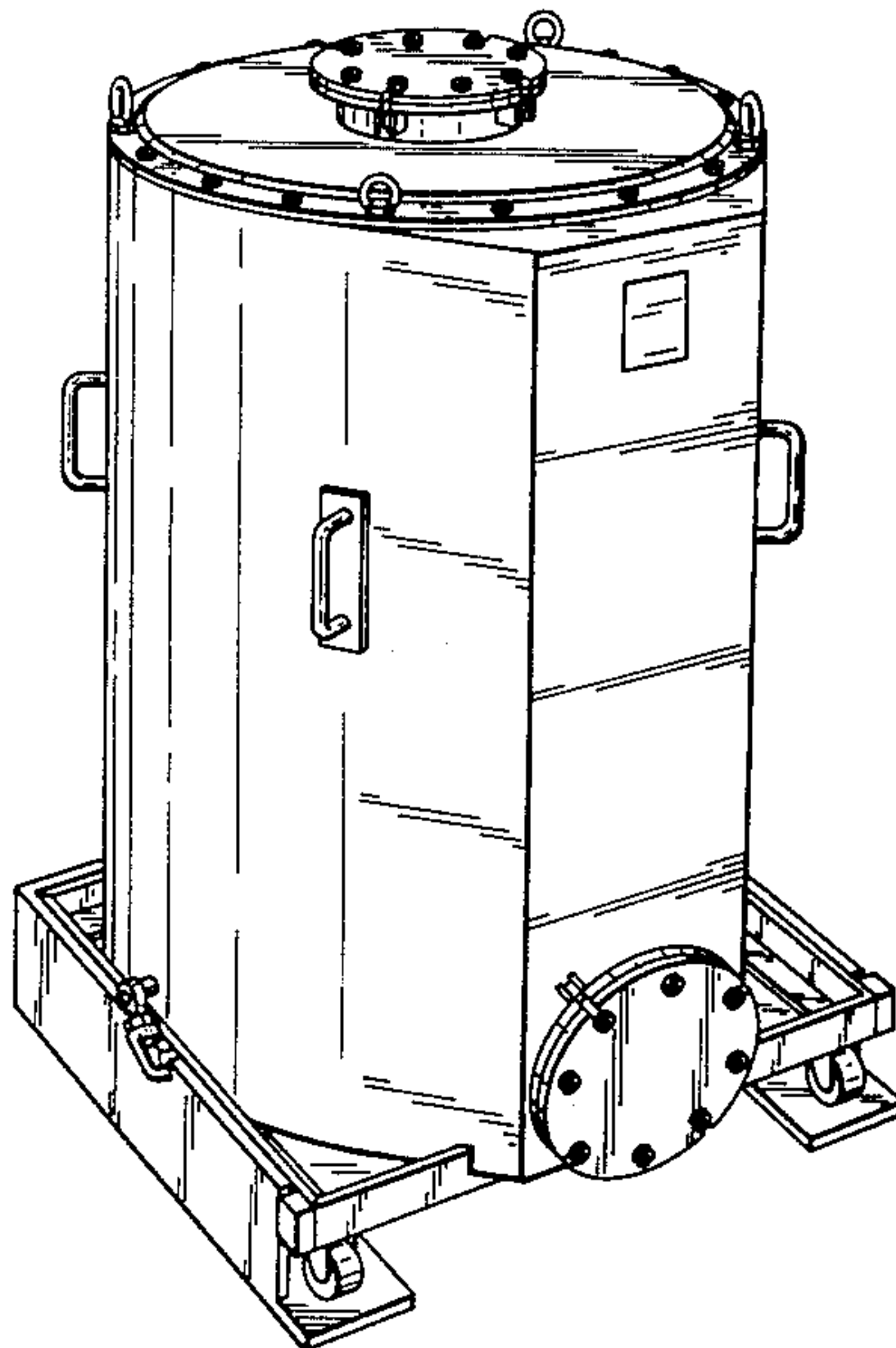


FIG. 1

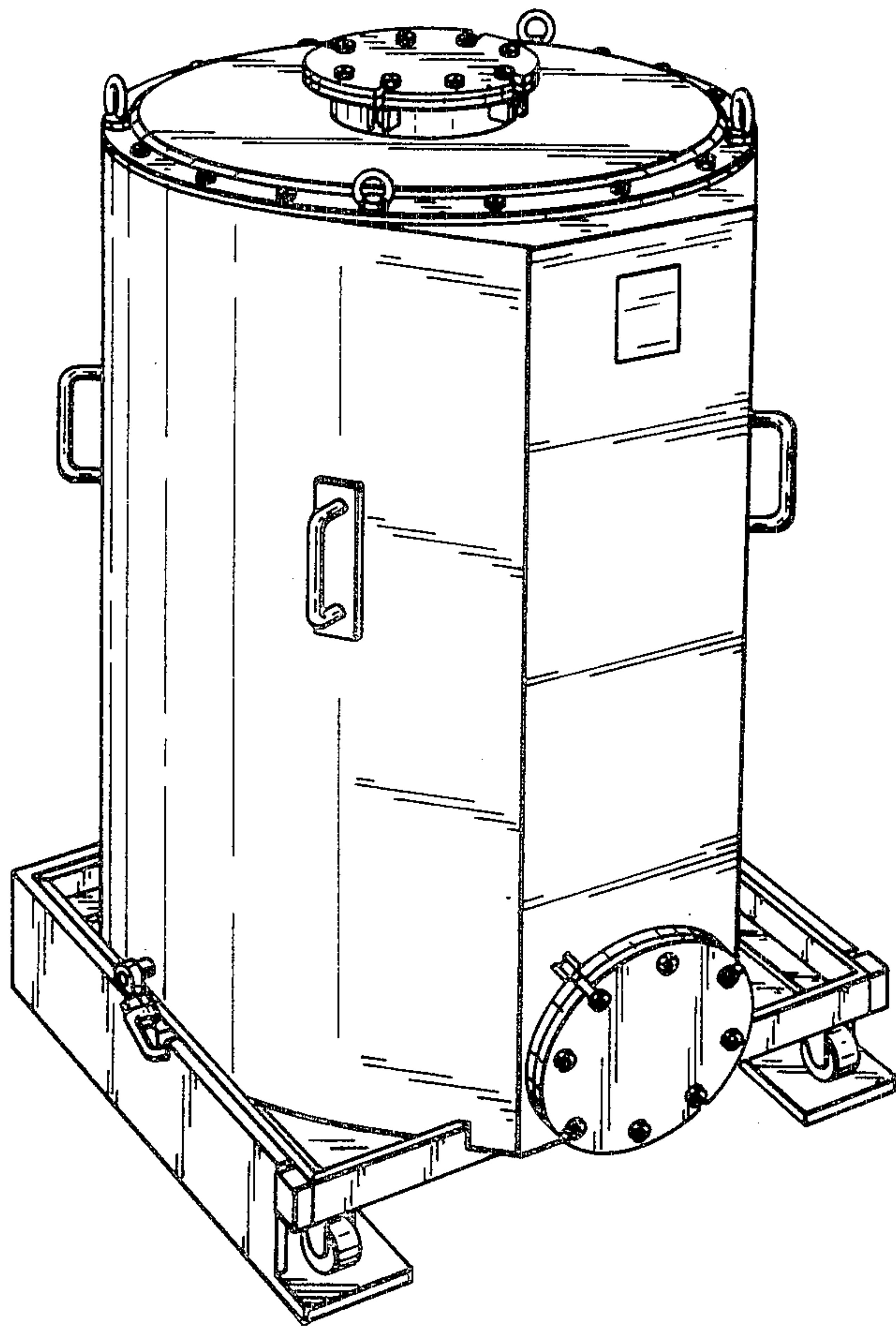


FIG. 2

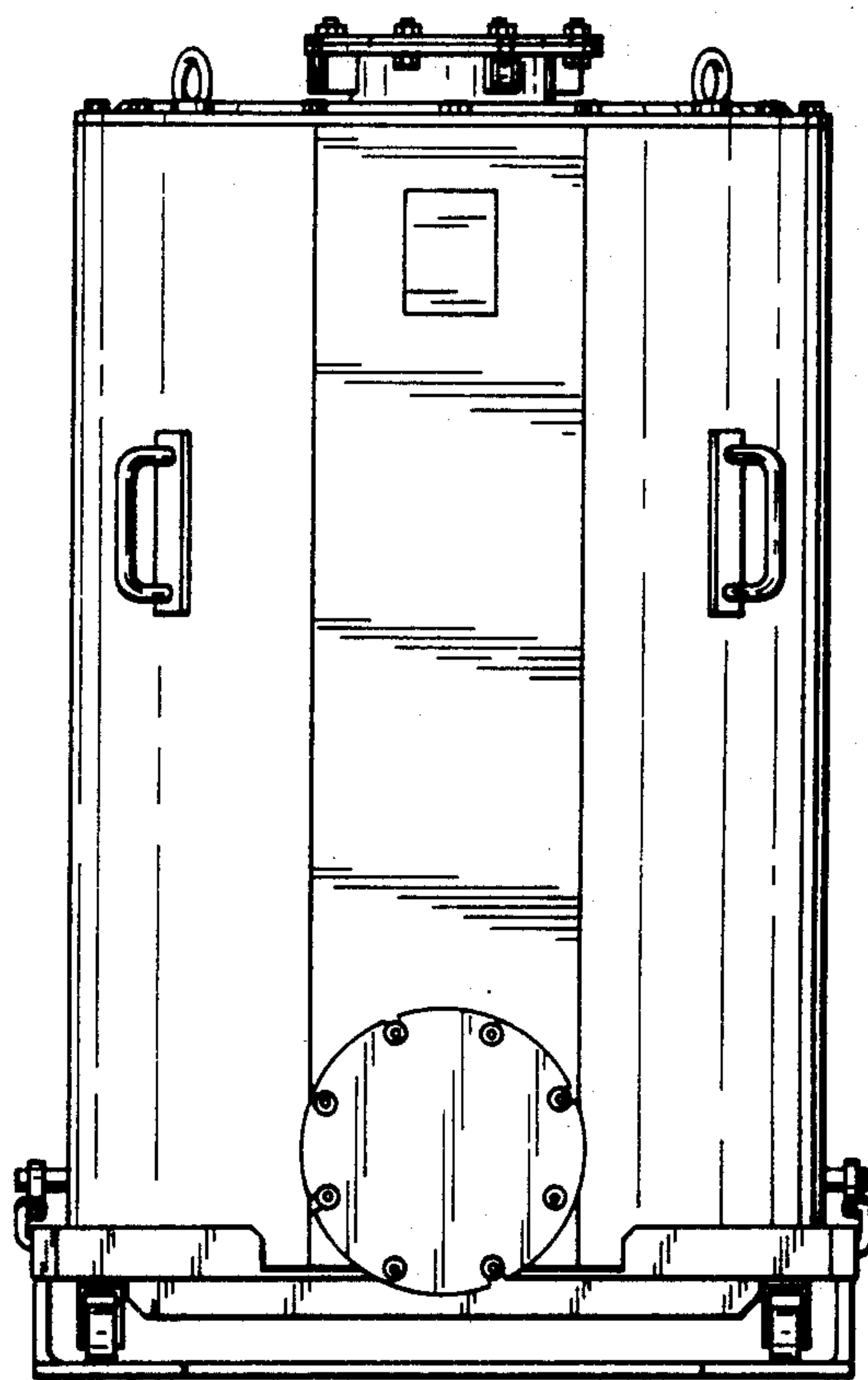


FIG. 3

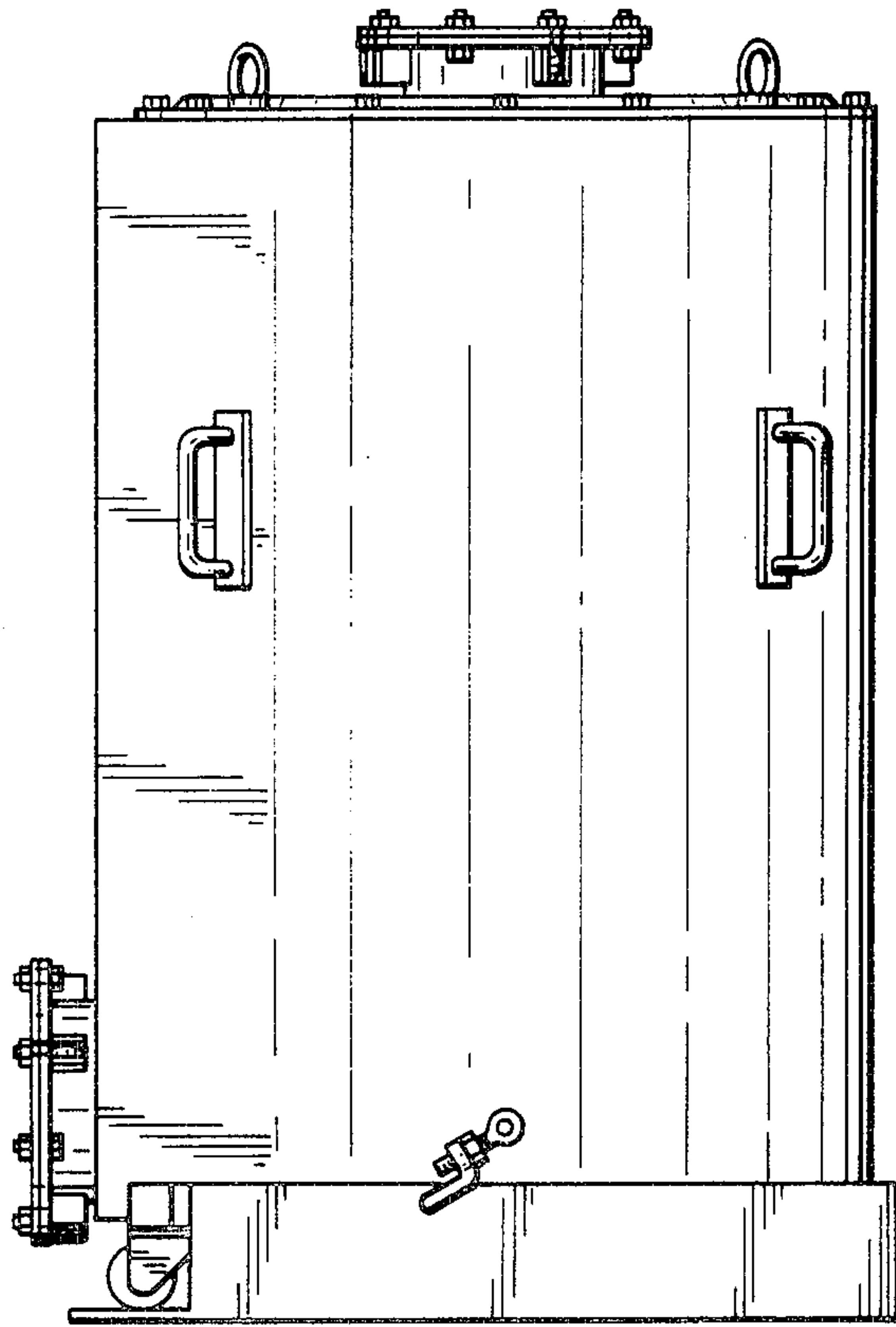


FIG. 4

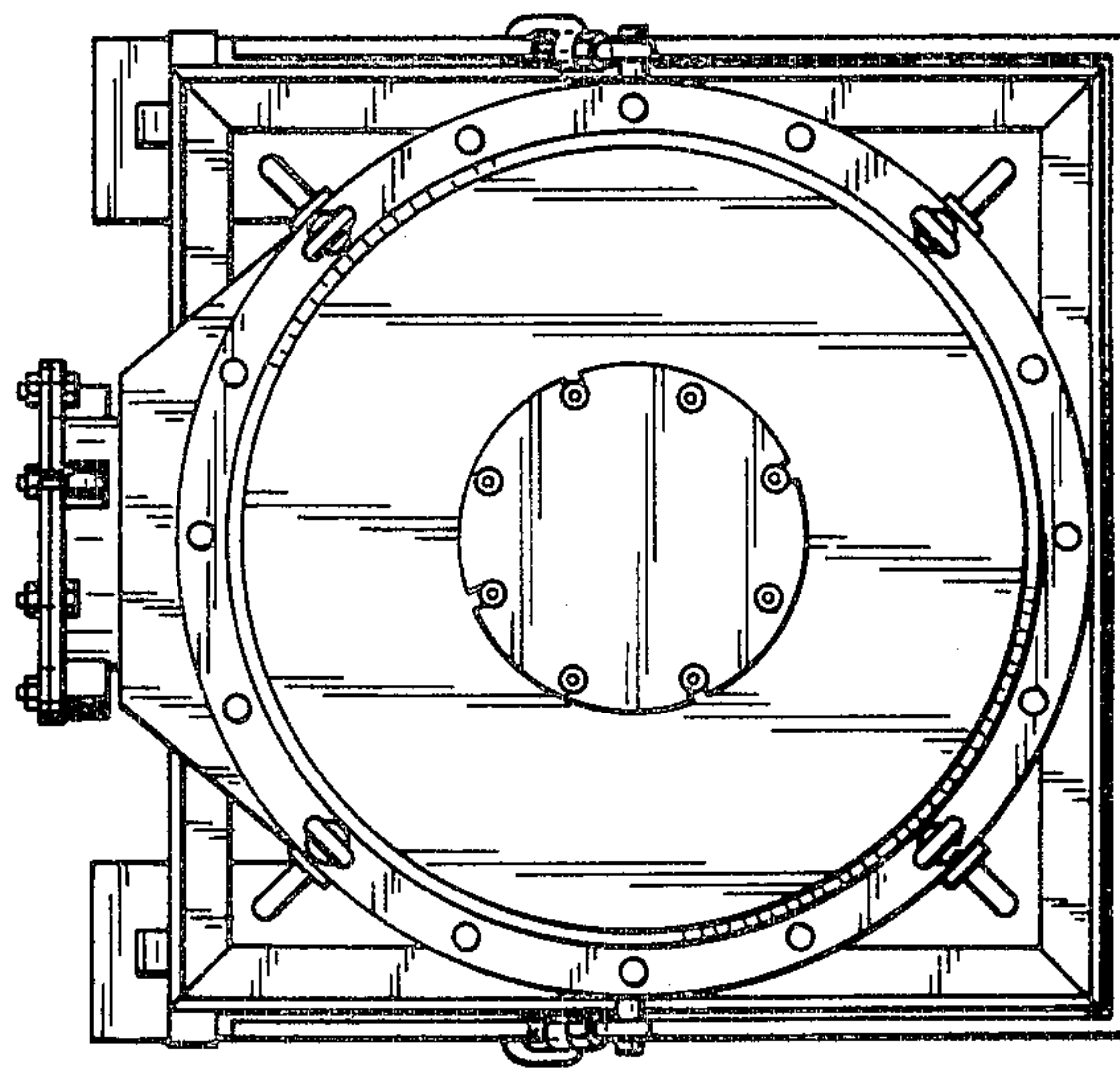


FIG. 5

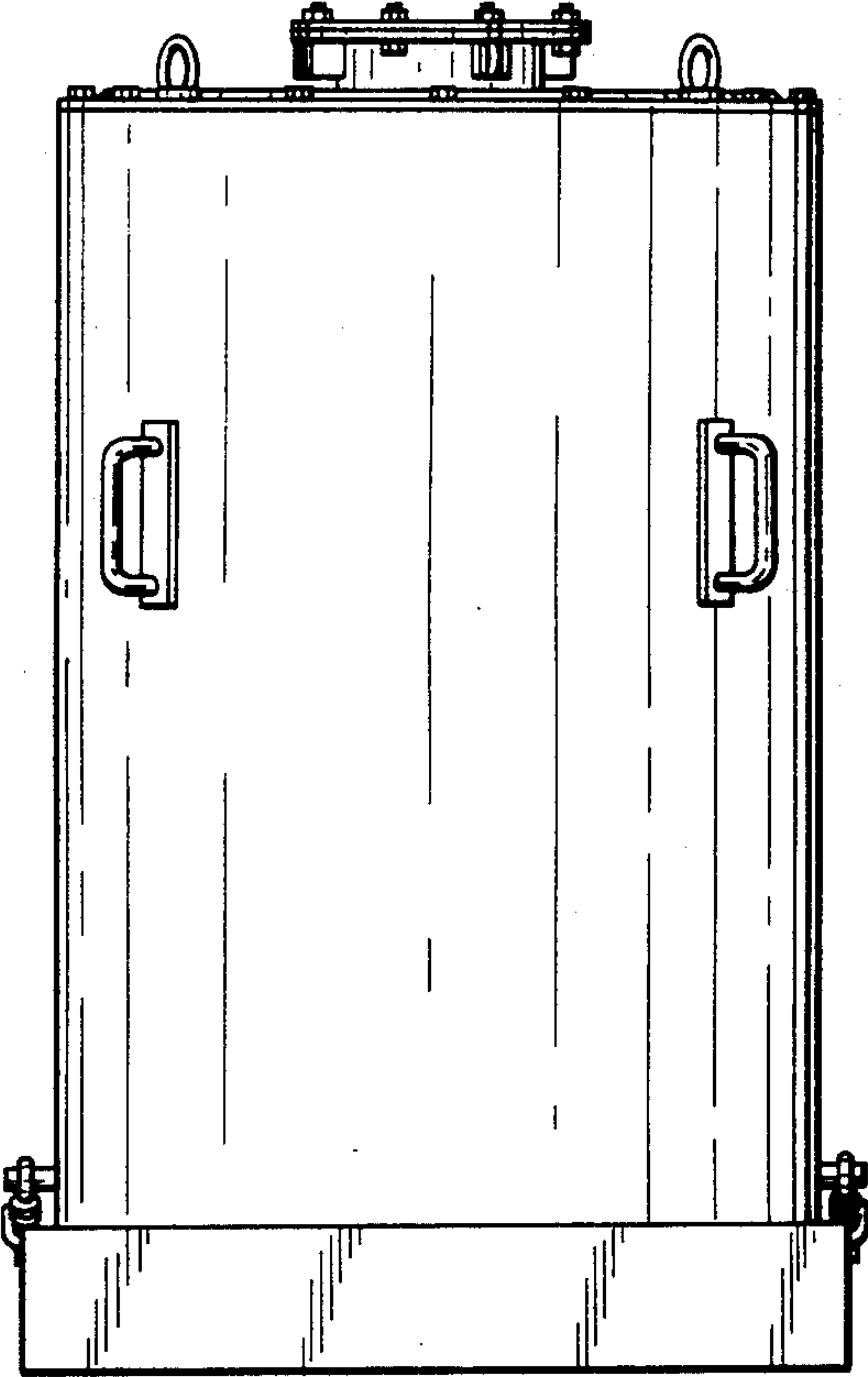


Fig. 6

