

[54] RADIANT HEATER

[75] Inventors: Frank T. Schmidt, Mulvane; John T. Cherryholmes, Potwin; Benjamin C. Baugh, Wichita, all of Kans.

[73] Assignee: The Coleman Company, Inc., Wichita, Kans.

[\*\*] Term: 14 Years

[21] Appl. No.: 577,188

[22] Filed: Feb. 6, 1984

[52] U.S. Cl. .... D23/124

[58] Field of Search ..... 219/342, 343, 347, 354; D23/122, 123, 124; 126/92 R, 92 A, 92 B, 92 C, 92 PC

[56] References Cited

U.S. PATENT DOCUMENTS

- D. 191,384 9/1961 Hauser ..... D23/122
- D. 198,612 7/1964 Tsuchiya ..... D23/122

- D. 201,113 5/1965 Groves ..... D23/123
- D. 267,424 12/1982 Boldt et al. .... D23/122
- 2,512,061 6/1950 Huck ..... D23/122 X
- 3,179,156 4/1965 Weiss et al. .... 126/92 B X
- 3,219,025 11/1965 Webster ..... 126/92 B
- 3,330,267 7/1967 Bauer ..... 126/92 B
- 3,425,406 2/1969 Mejyr ..... 126/92 B
- 3,590,806 7/1971 Locke ..... 126/92 B

Primary Examiner—Catherine E. Kemper

[57] CLAIM

The ornamental design for a radiant heater, as shown.

DESCRIPTION

FIG. 1 is a perspective view of a radiant heater, showing our new design;  
 FIG. 2 is a right side elevational view thereof, shown on a larger scale, the left side being identical thereto;  
 FIG. 3 is a front elevational view thereof;  
 FIG. 4 is a rear elevational view thereof;  
 FIG. 5 is a top plan view thereof;  
 FIG. 6 is a bottom plan view thereof.

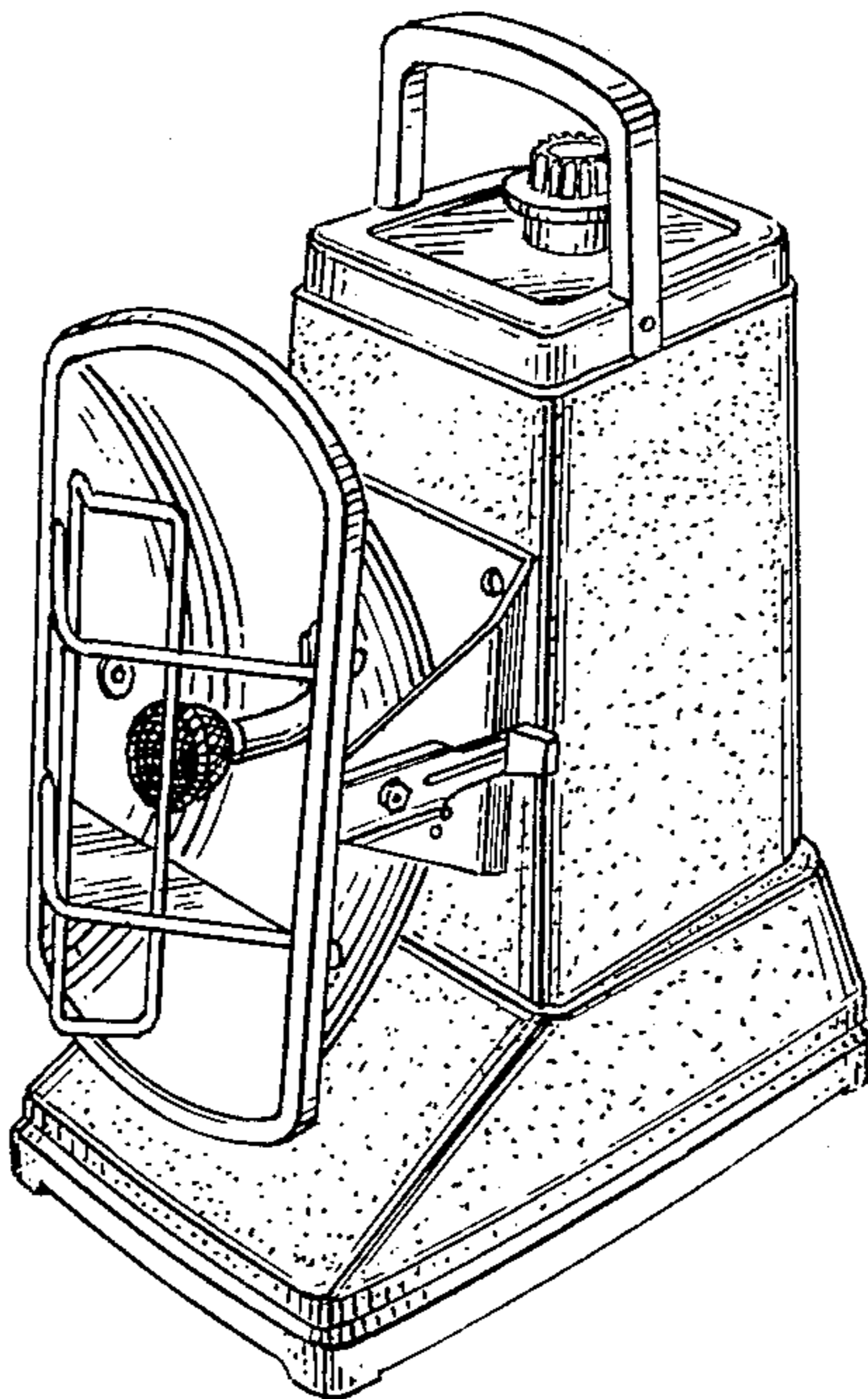


FIG. 1

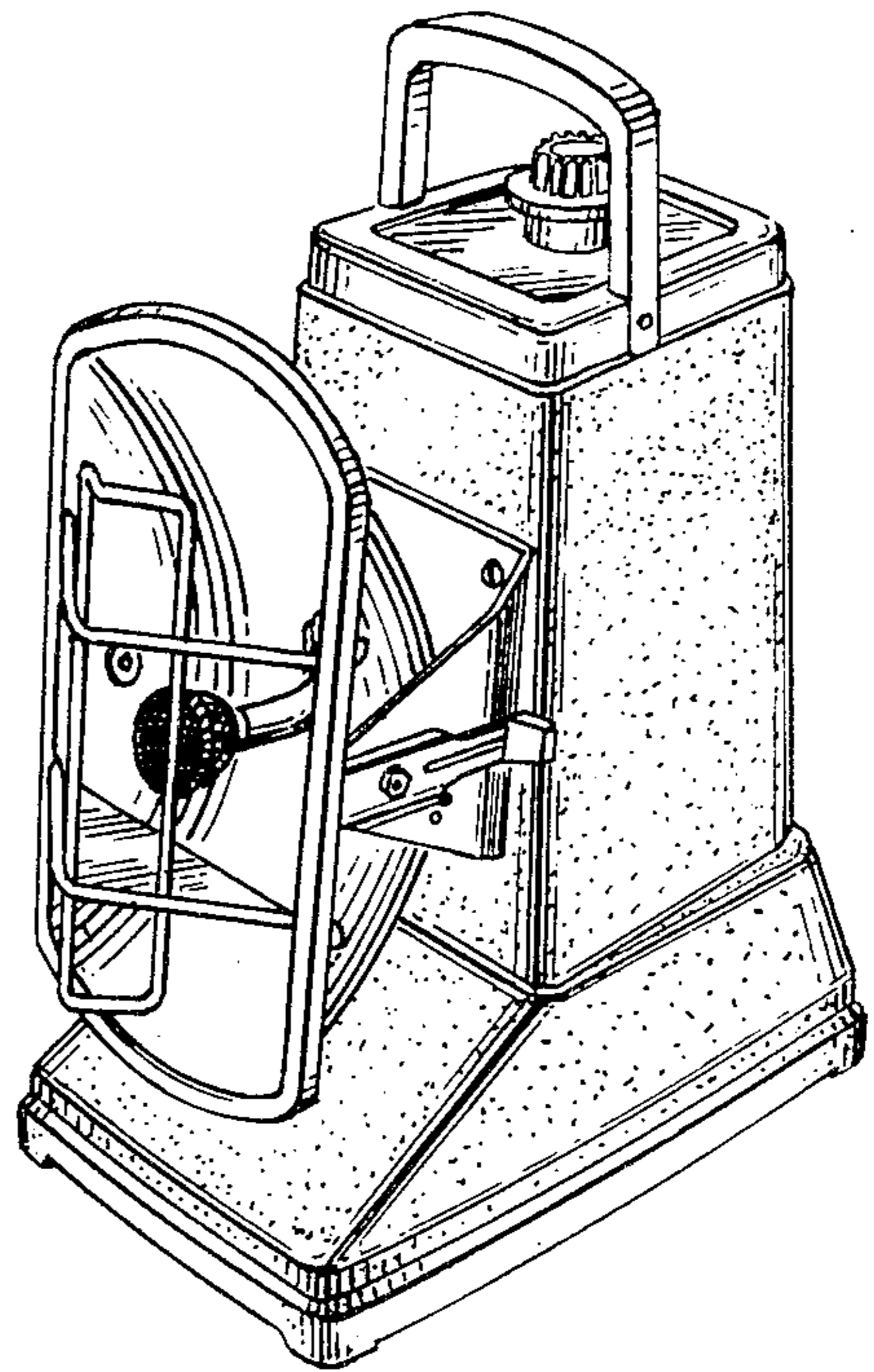


FIG. 2

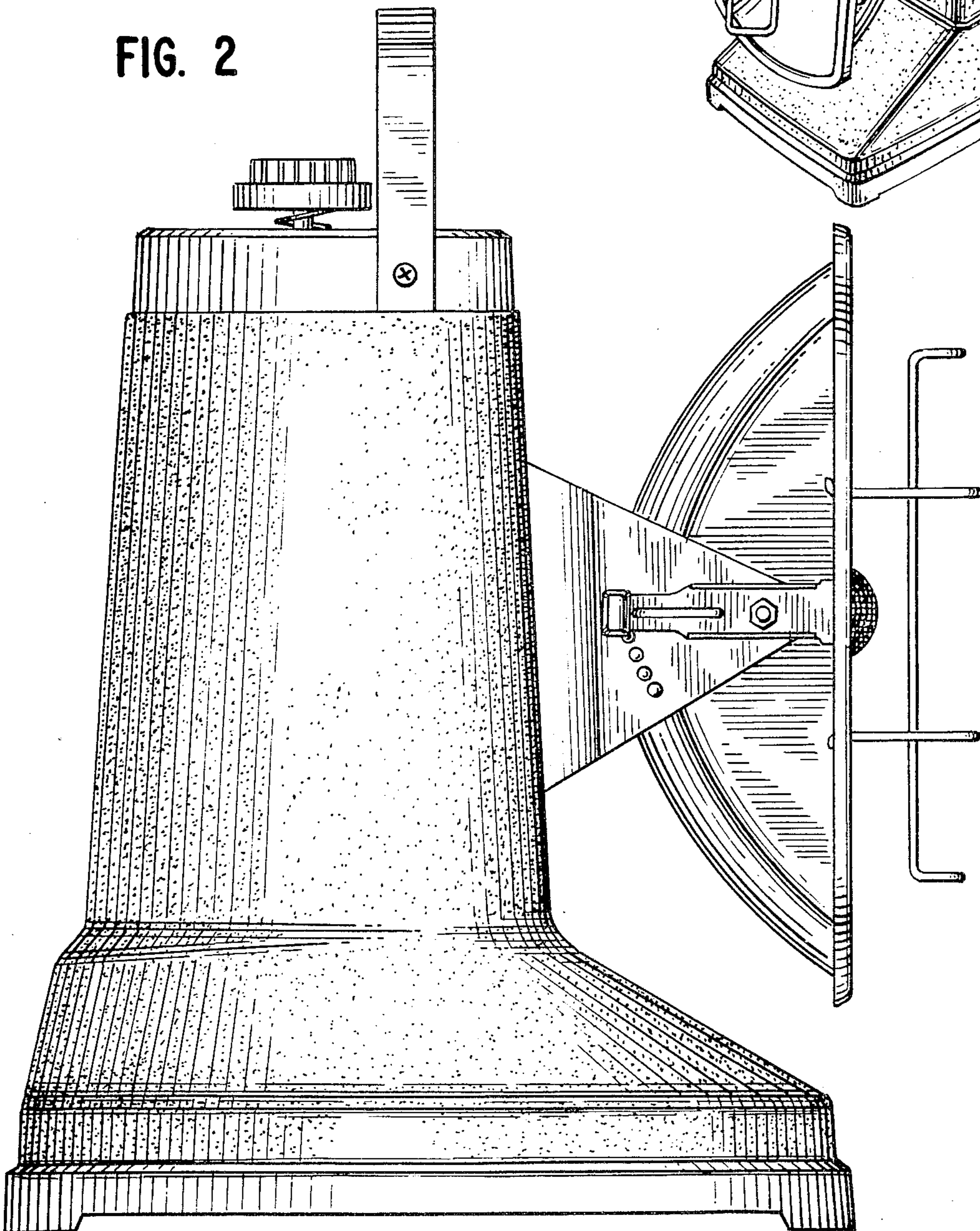


FIG. 3

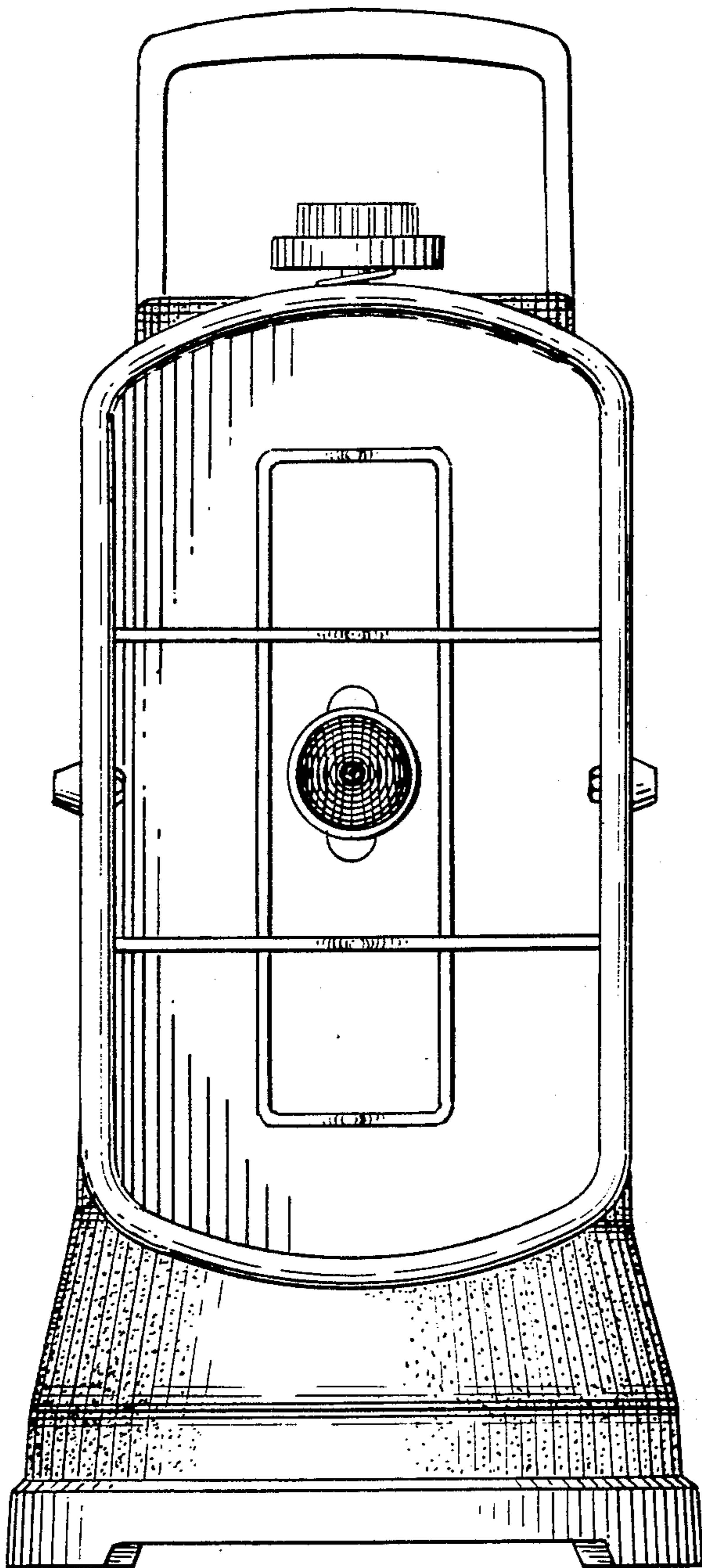


FIG. 4

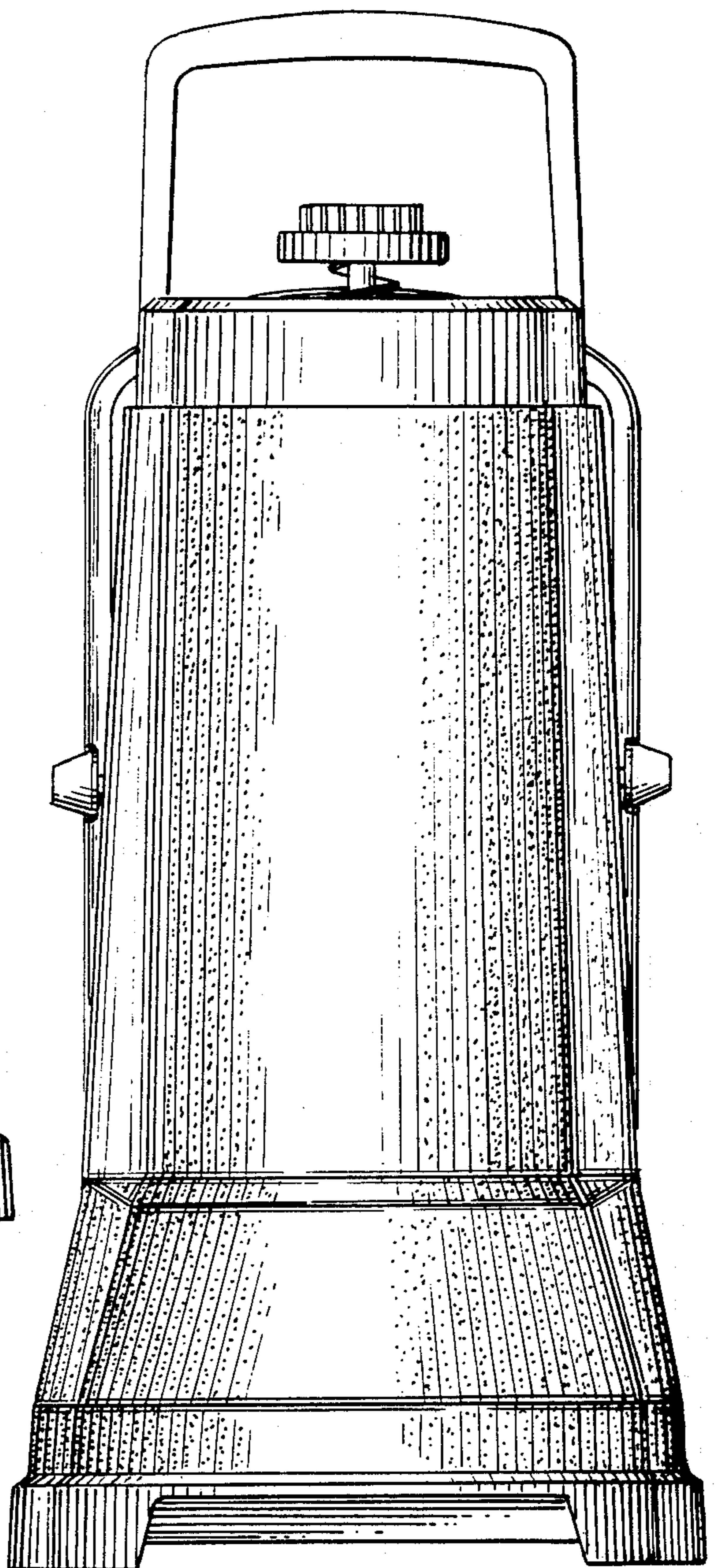


FIG. 5

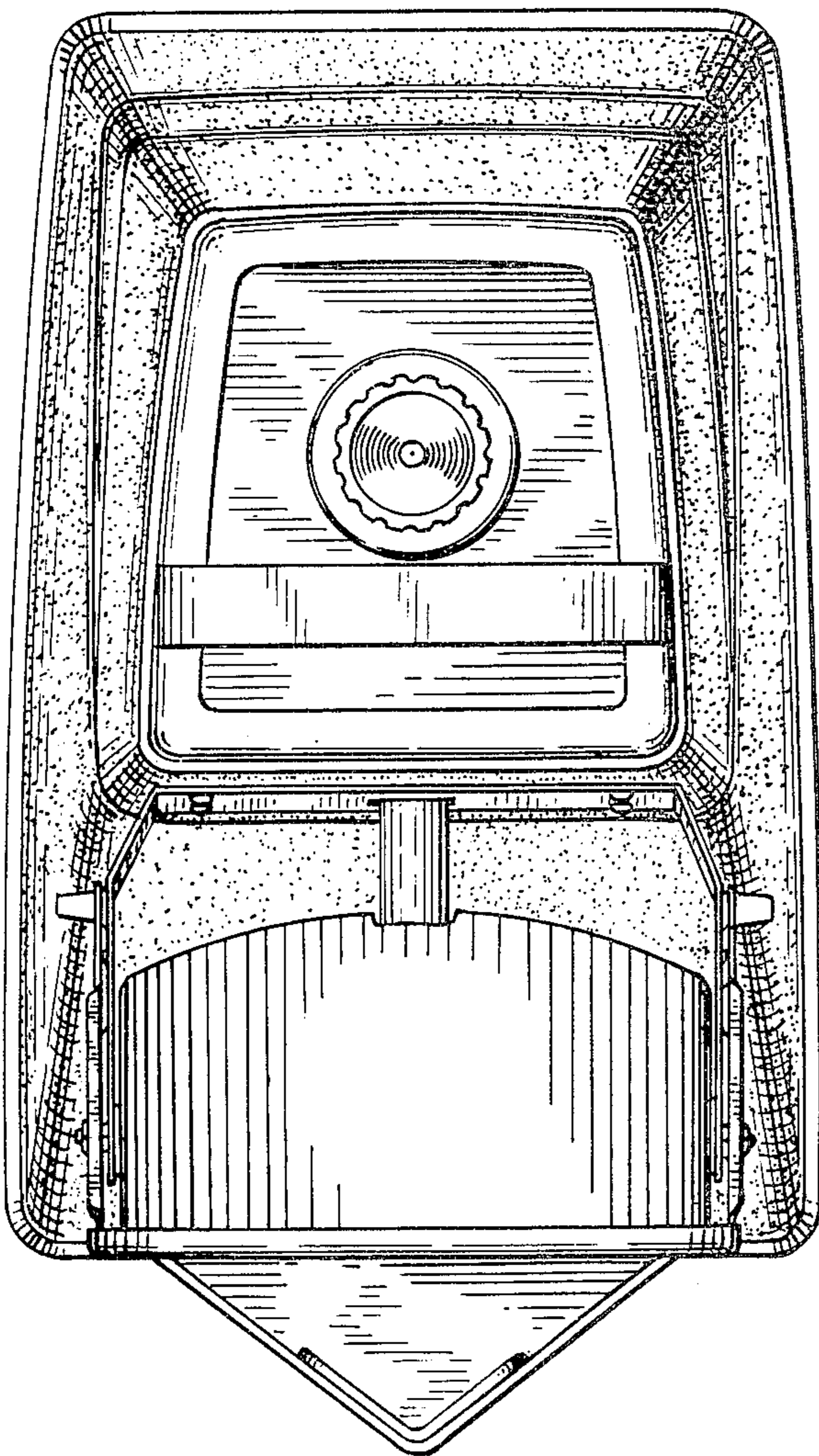


FIG. 6

