

[54] HOT AIR GUN

[75] Inventors: David C. Miller; Robert E. Dawson, both of Ridgefield; Thomas J. Pendleton, Wilton, all of Conn.

[73] Assignee: Wagner Spray Tech Corporation, Minneapolis, Minn.

[\*\*] Term: 14 Years

[21] Appl. No.: 639,306

[22] Filed: Aug. 8, 1984

[52] U.S. Cl. .... D23/77

[58] Field of Search ..... D23/72, 77, 162; D28/13; 219/366, 369, 370, 371

[56] References Cited

U.S. PATENT DOCUMENTS

1,932,703	10/1933	Mancuso .....	219/346
3,211,890	10/1965	Graves .....	219/370
3,492,462	1/1970	Schumacher .....	219/370
4,135,080	1/1979	Wells, Jr. ....	219/370

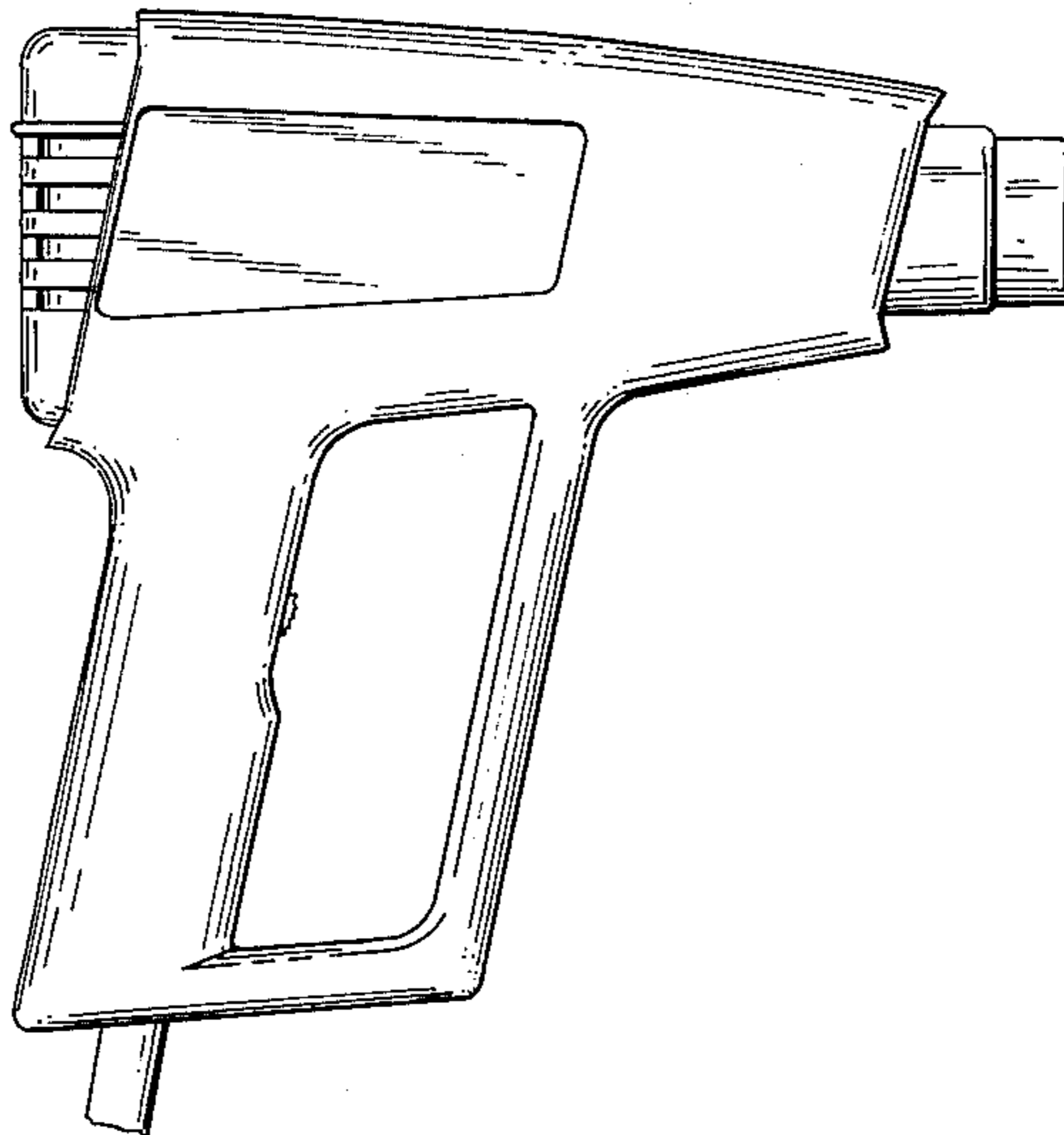
Primary Examiner—Catherine E. Kemper  
Attorney, Agent, or Firm—Hill, Van Santen, Steadman & Simpson

[57] CLAIM

The ornamental design for a hot air gun, as shown.

DESCRIPTION

FIG. 1 is a side elevational view of a hot air gun, showing our new design;  
FIG. 2 is a front elevational view thereof;  
FIG. 3 is a rear elevational view thereof;  
FIG. 4 is a top plan view thereof; and  
FIG. 5 is a bottom view thereof.



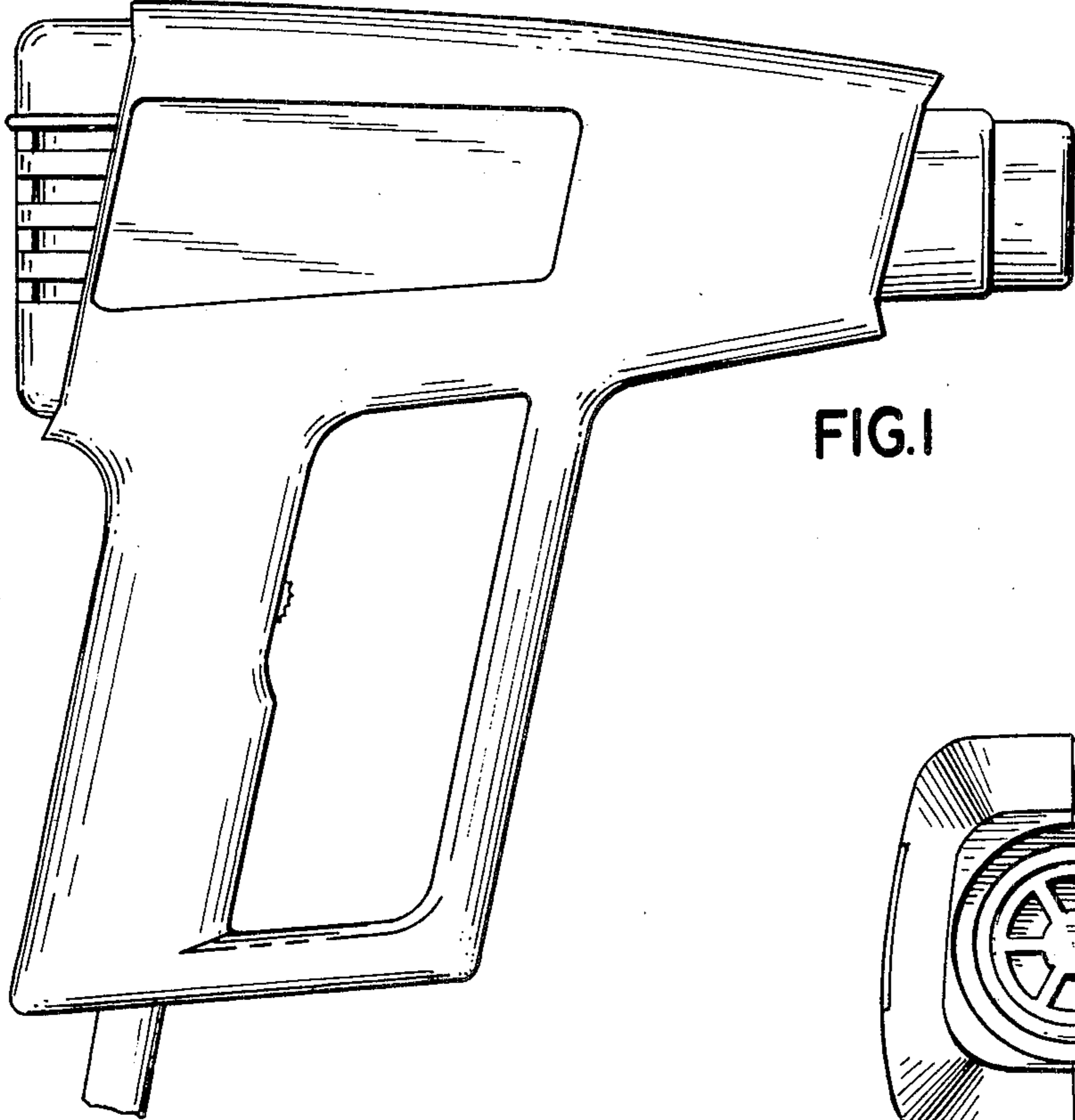


FIG. 1

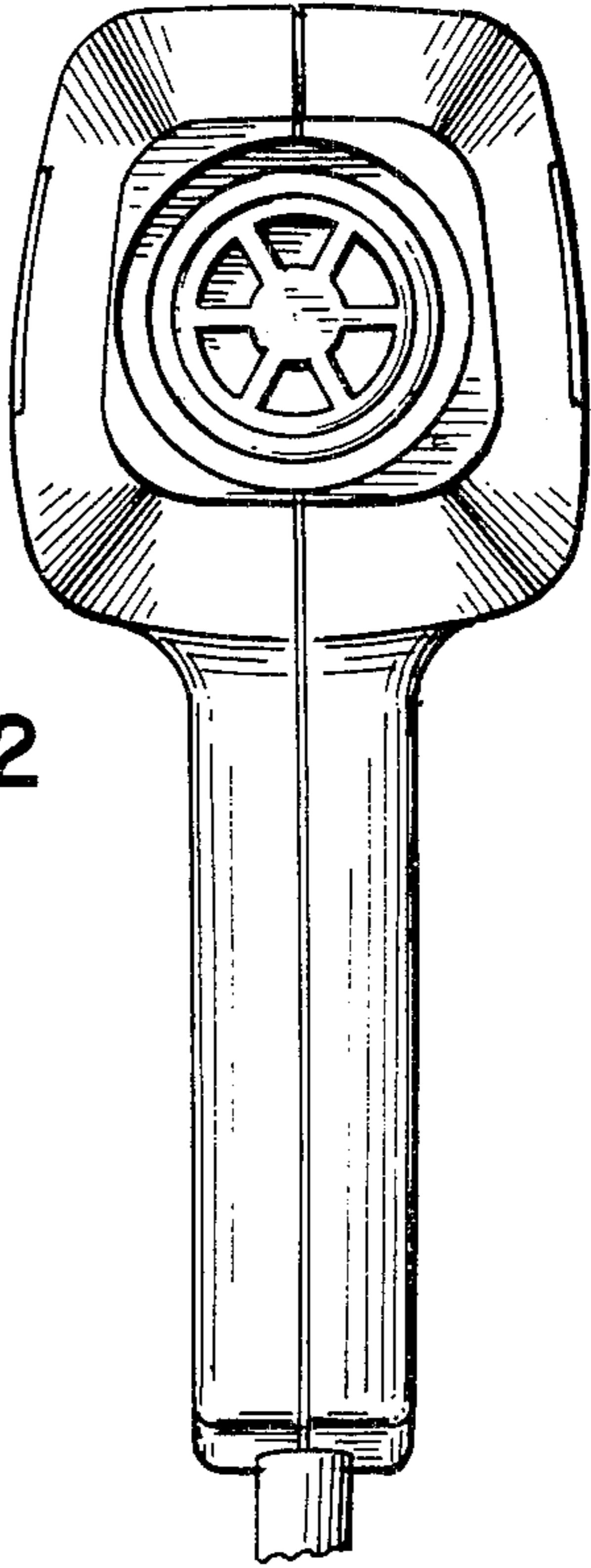


FIG. 2

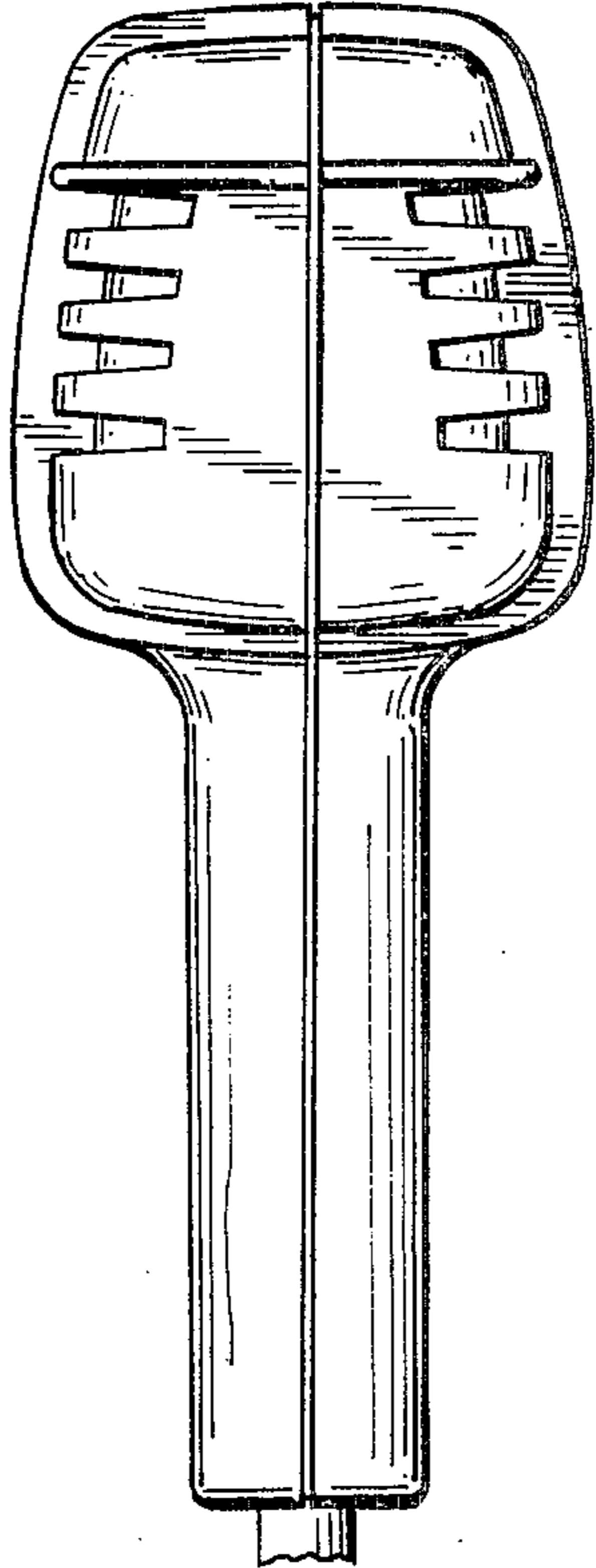


FIG. 3

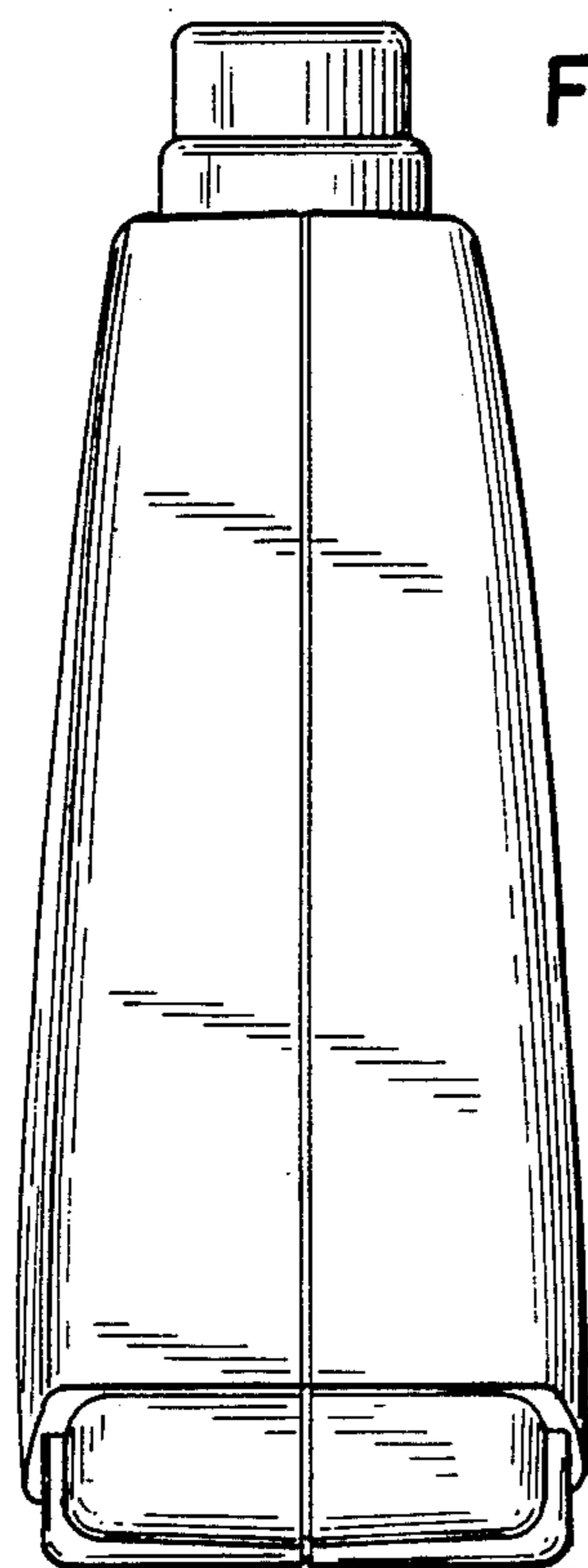


FIG. 4

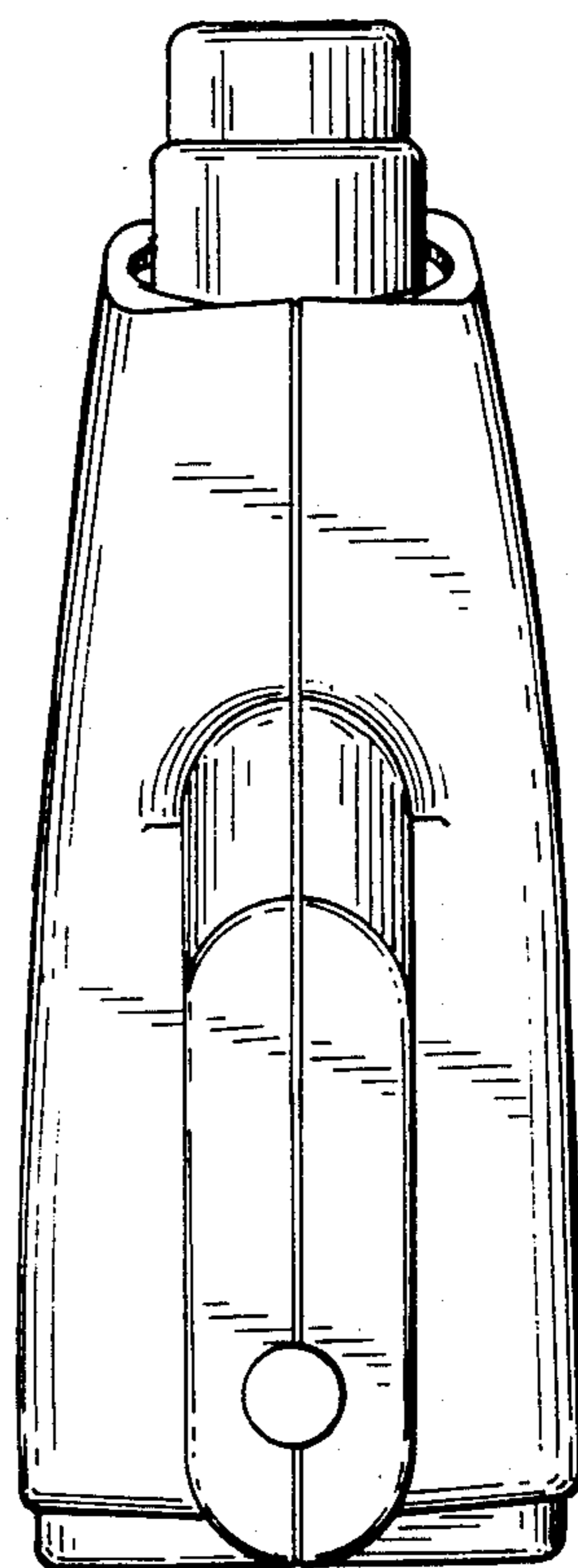


FIG. 5