

[54] BATHTUB

[57] CLAIM

The ornamental design for a bathtub, as shown and described.

[76] Inventor: Harvey E. Diamond, 12953 Woodbridge St., Studio City, Calif. 91604

DESCRIPTION

[\*\*] Term: 14 Years

FIG. 1 is a perspective view of a bathtub showing my new design; FIG. 2 is a perspective view thereof taken from the side opposite to that shown in FIG. 1; FIG. 3 is a top plan view thereof; FIG. 4 is a bottom plan view thereof; FIG. 5 is a left end elevation view thereof; FIG. 6 is a right end elevation view thereof; FIG. 7 is a perspective view of a bathtub showing a second embodiment of my new design; FIG. 8 is a perspective view of FIG. 7 taken from the side opposite to that shown therein; FIG. 9 is a top plan view of FIG. 7; FIG. 10 is a bottom plan view of FIG. 7; FIG. 11 is a left end elevation view of FIG. 7; FIG. 12 is a right end elevation view of FIG. 7; FIG. 13 is an enlarged fragmentary perspective view of a portion of a bathtub showing a third embodiment of my new design which differs from the first embodiment only in the addition of a grab handle; and FIG. 14 is a fragmentary perspective view taken from the rear of FIG. 13.

[21] Appl. No.: 572,645

[22] Filed: Jan. 20, 1984

[52] U.S. Cl. .... D23/55

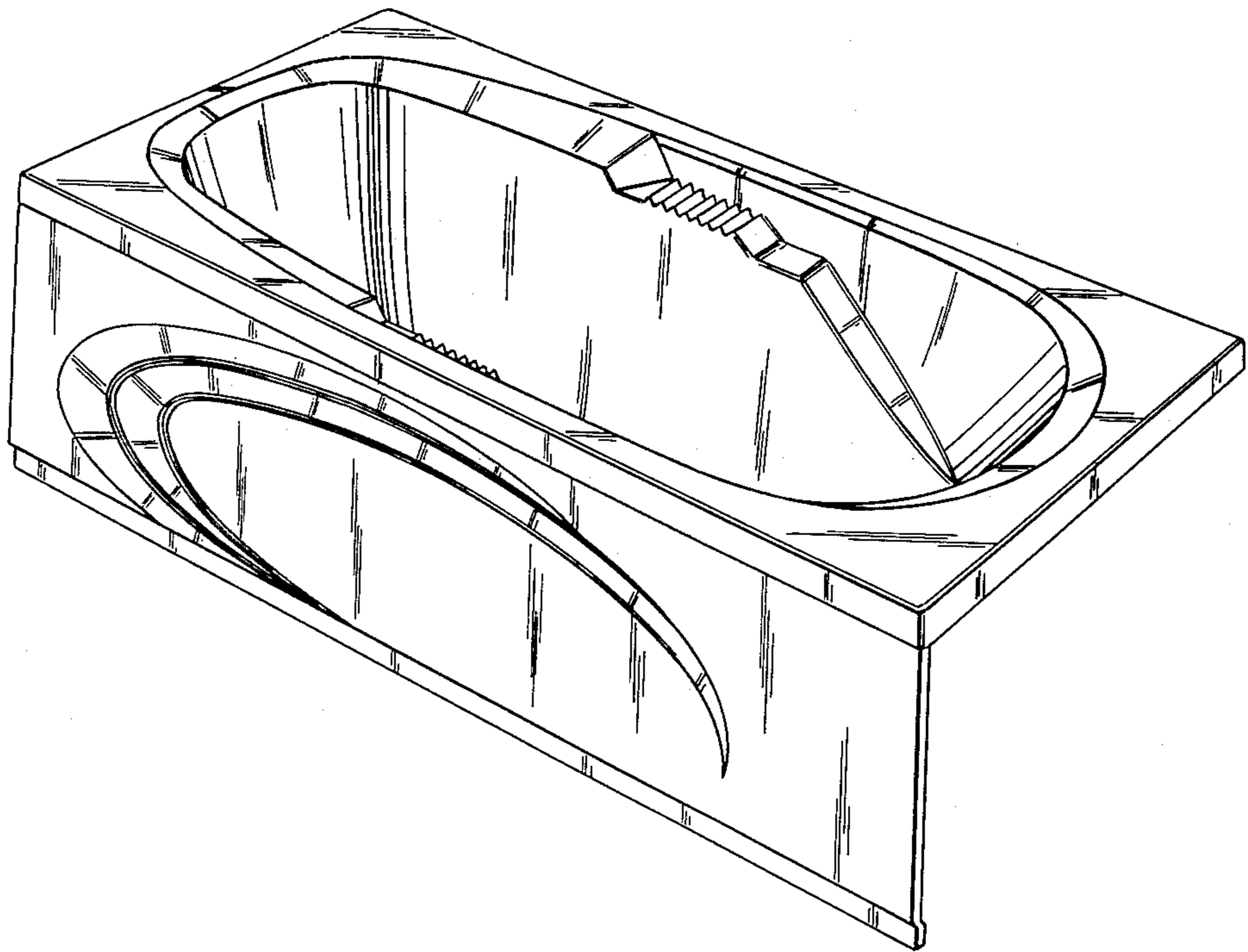
[58] Field of Search ..... D23/48, 55, 56; D24/38; 4/538, 576, 577, 584

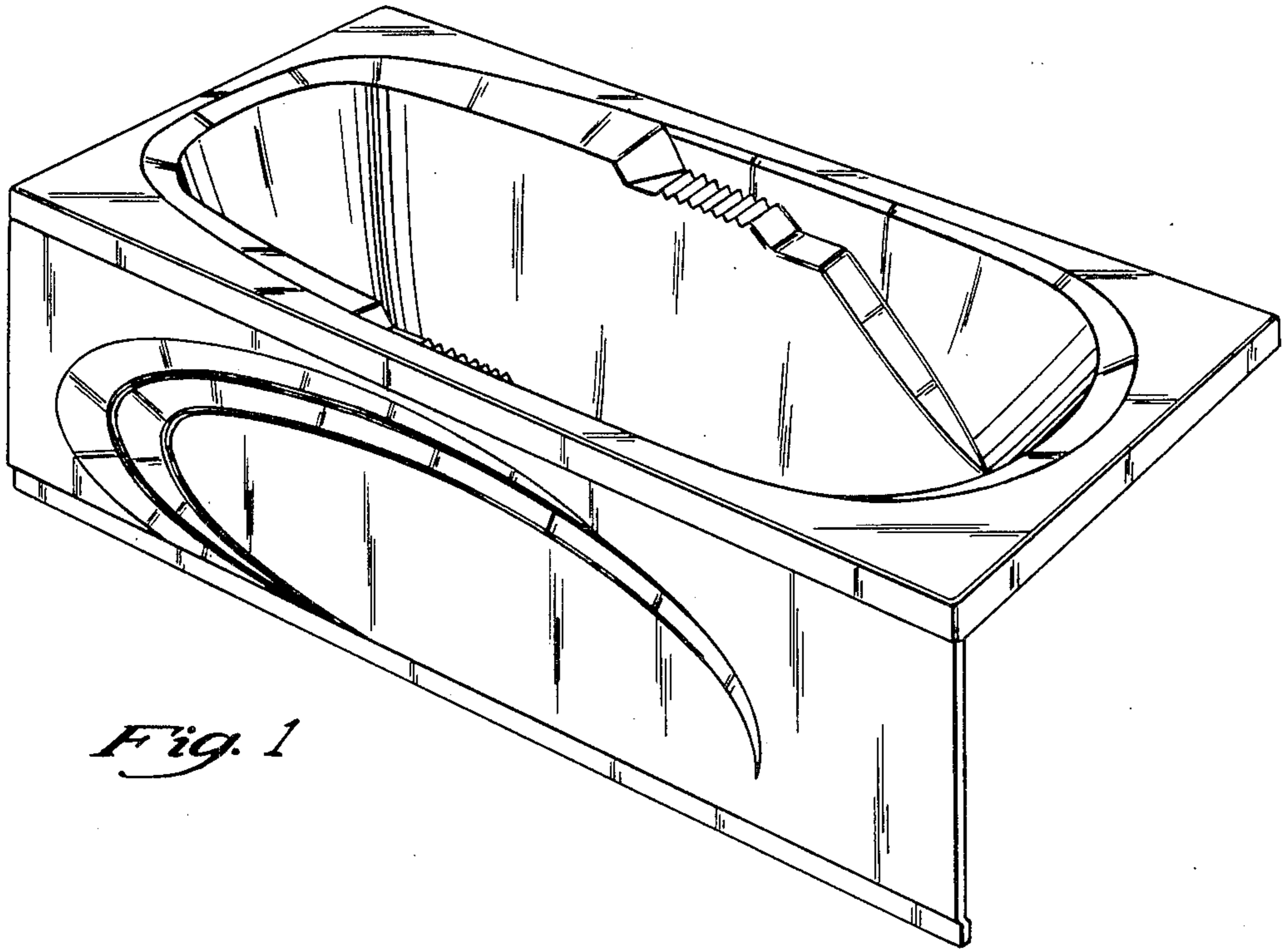
[56] References Cited

U.S. PATENT DOCUMENTS

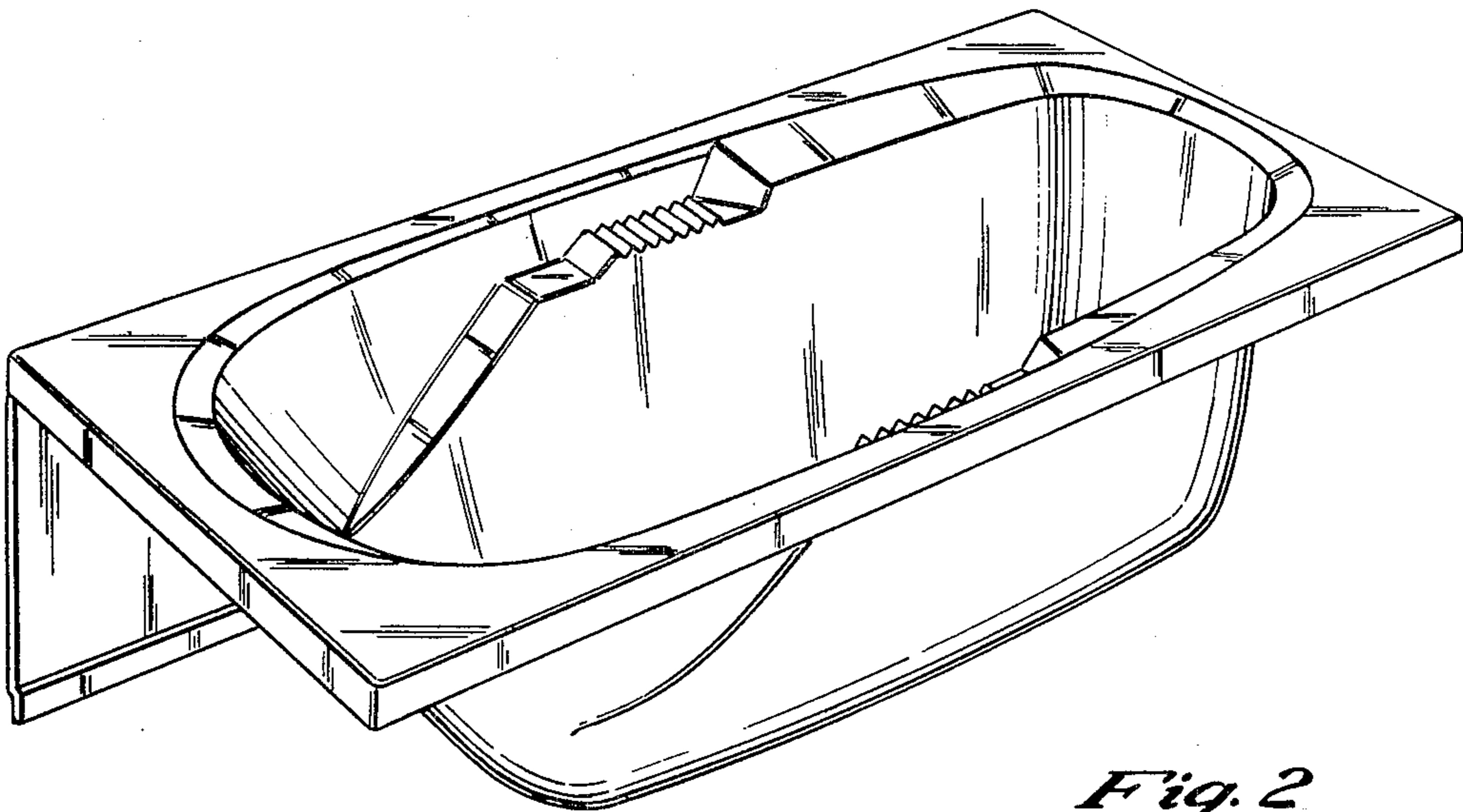
D. 97,729	12/1935	Davock	.....	D23/55
D. 257,058	9/1980	Laver	.....	D23/55
D. 282,564	2/1986	Burgess et al.	.....	D23/55
D. 282,963	3/1986	Alger	.....	D23/55

Primary Examiner—James M. Gandy  
Attorney, Agent, or Firm—Drucker & Sommers



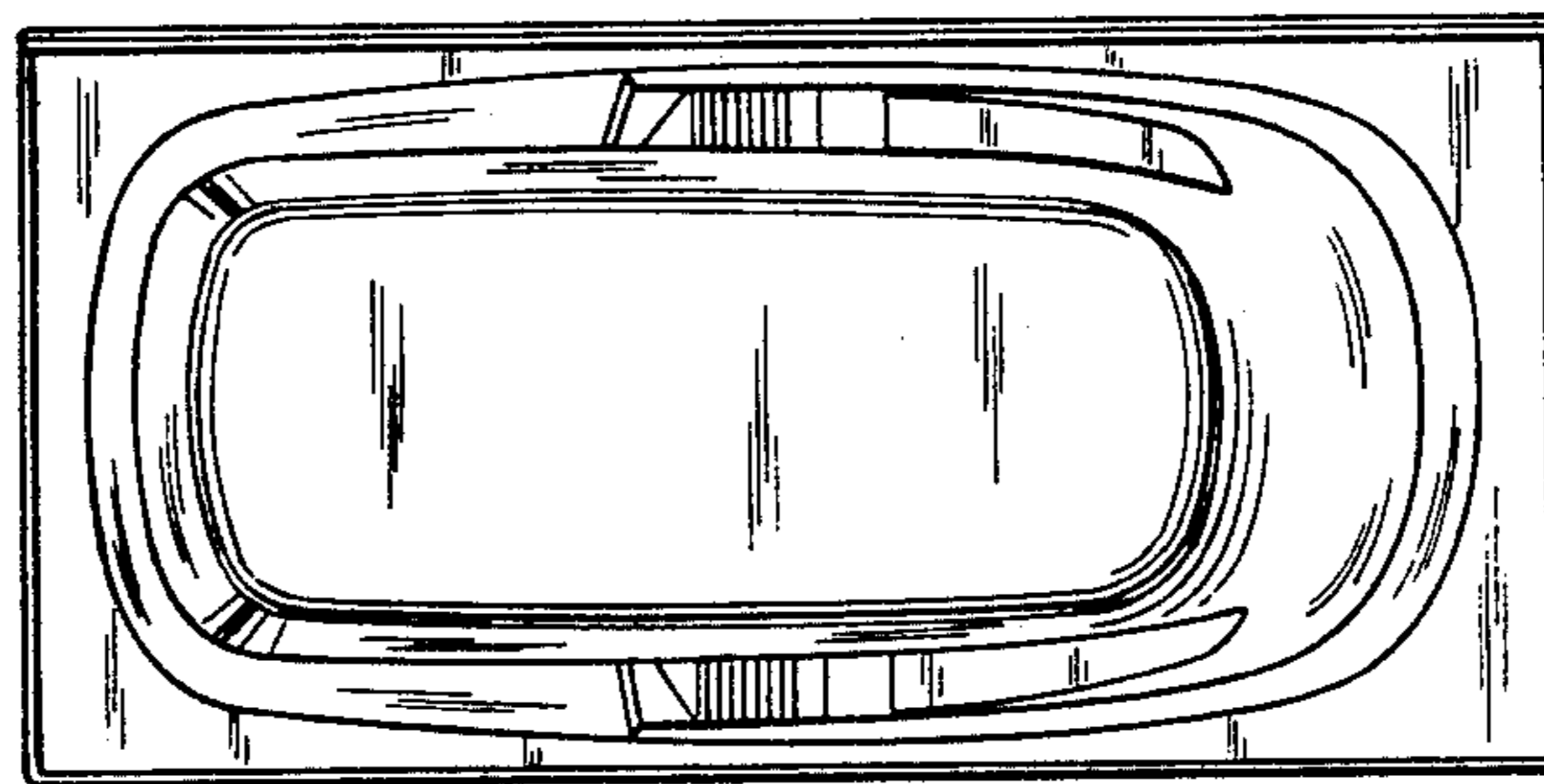
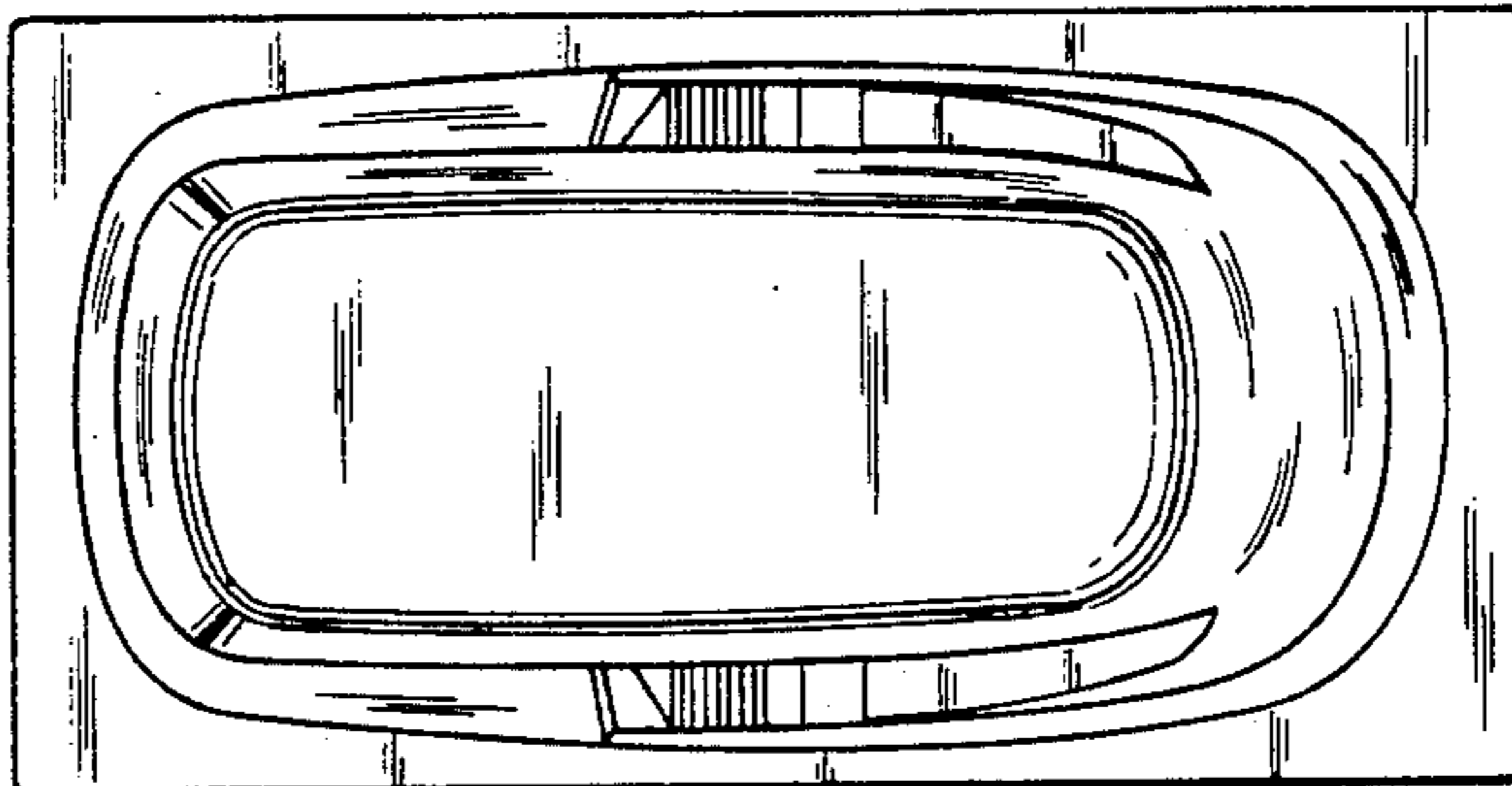


*Fig. 1*

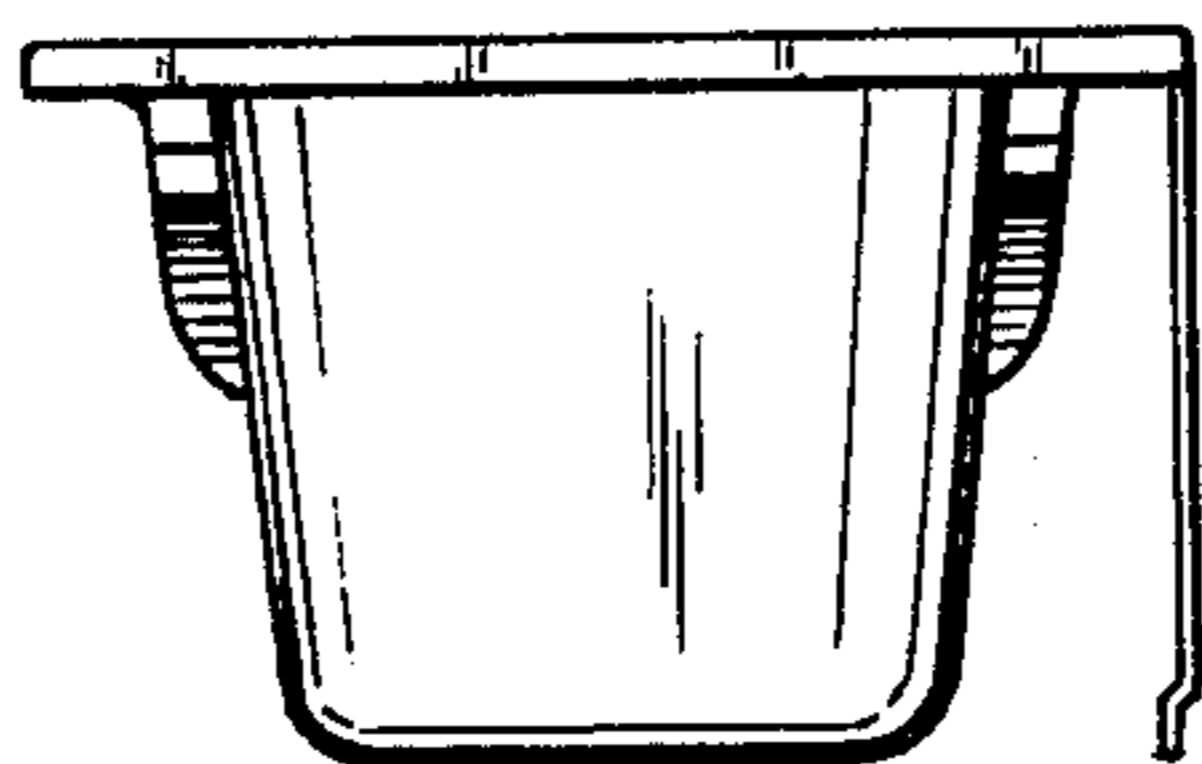


*Fig. 2*

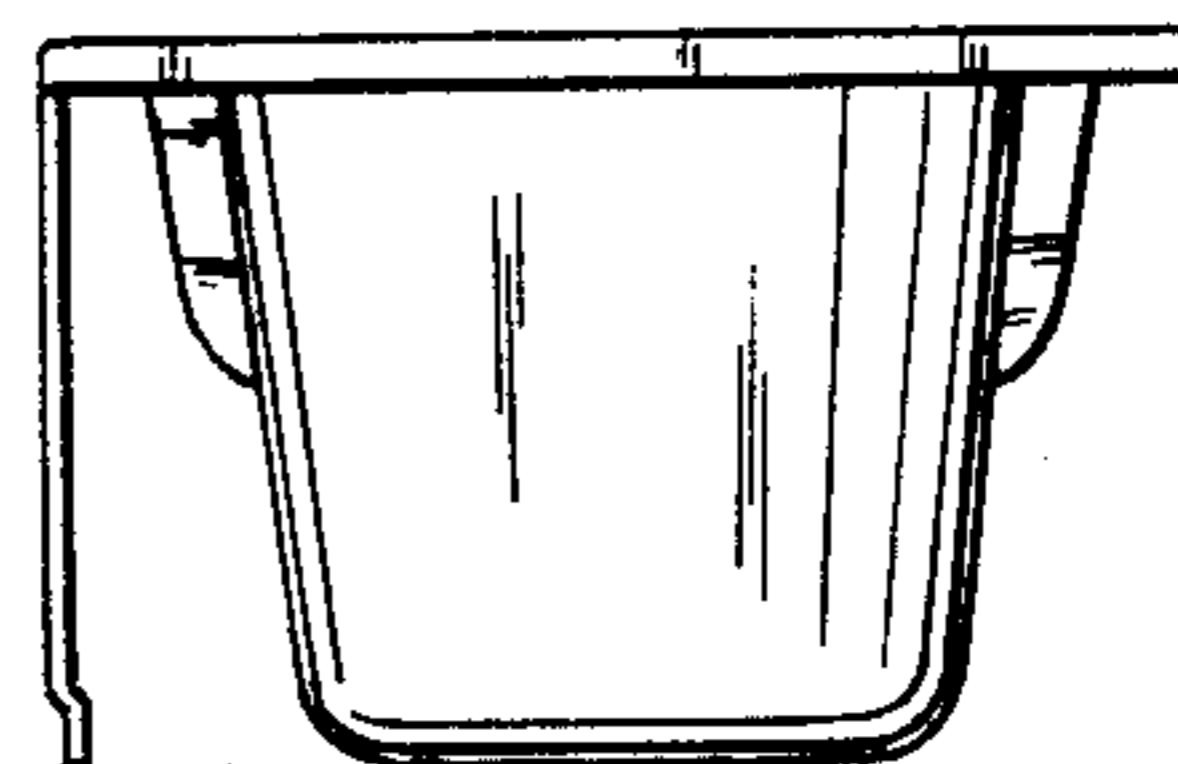
*Fig. 3*



*Fig. 4*

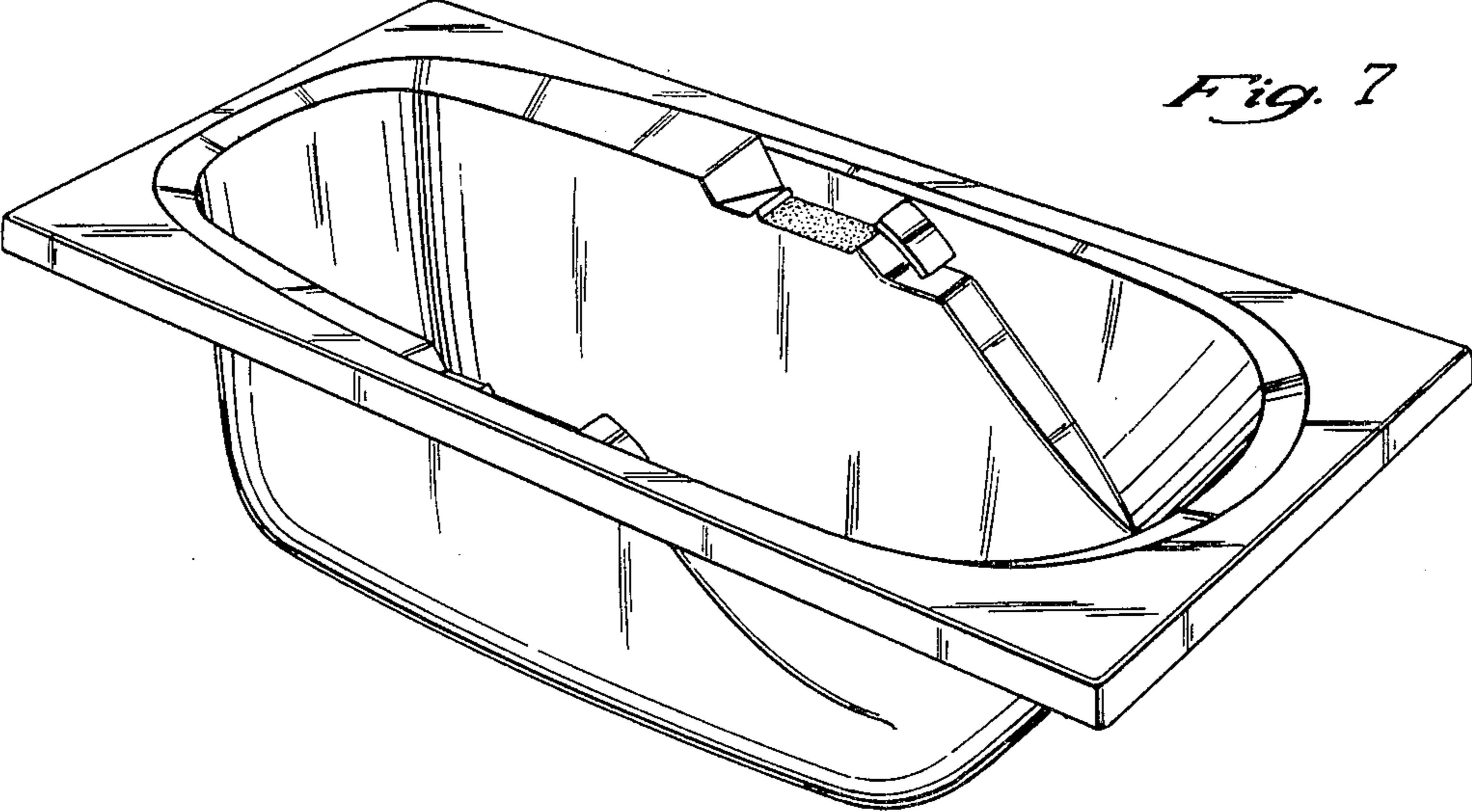


*Fig. 5*

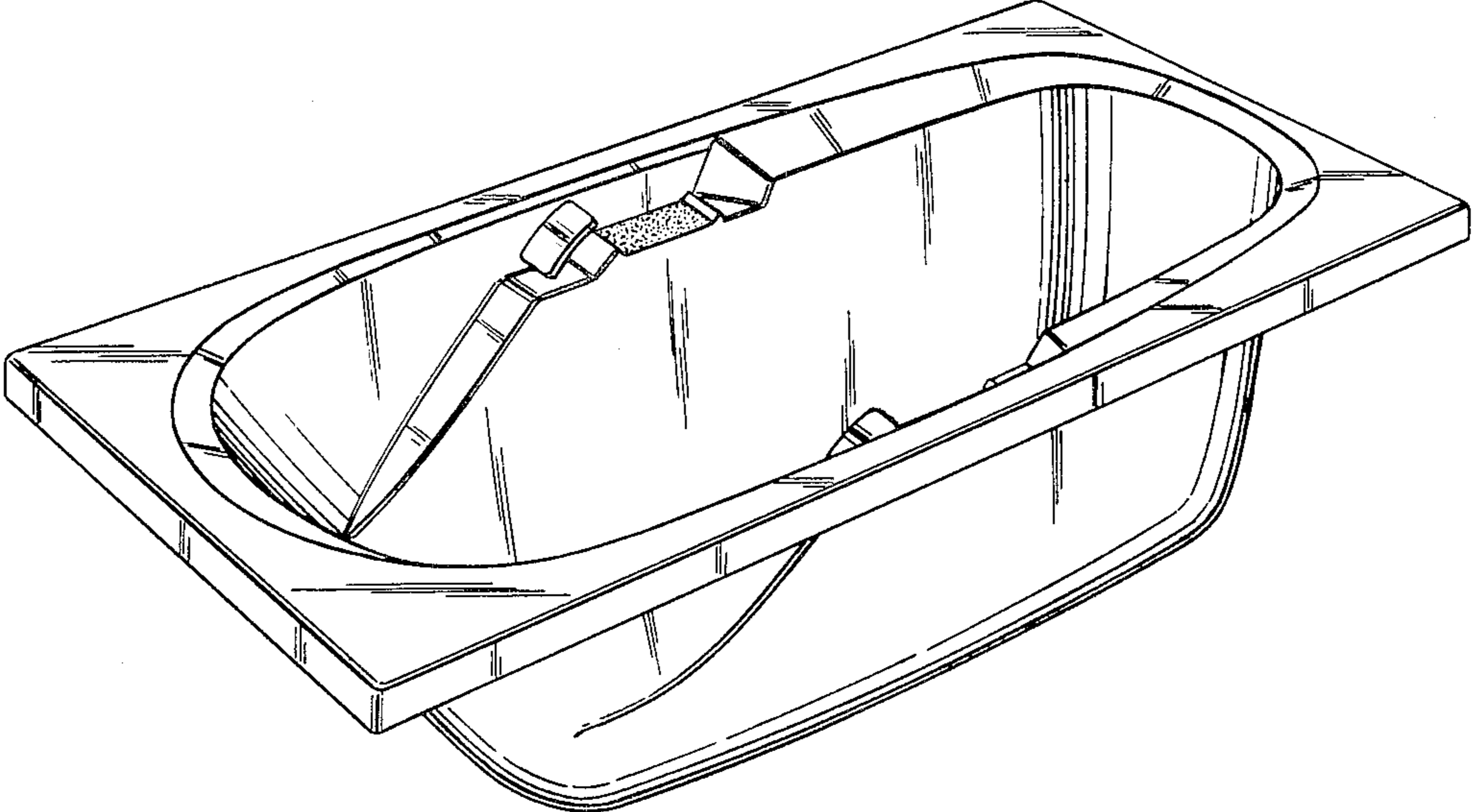


*Fig. 6*



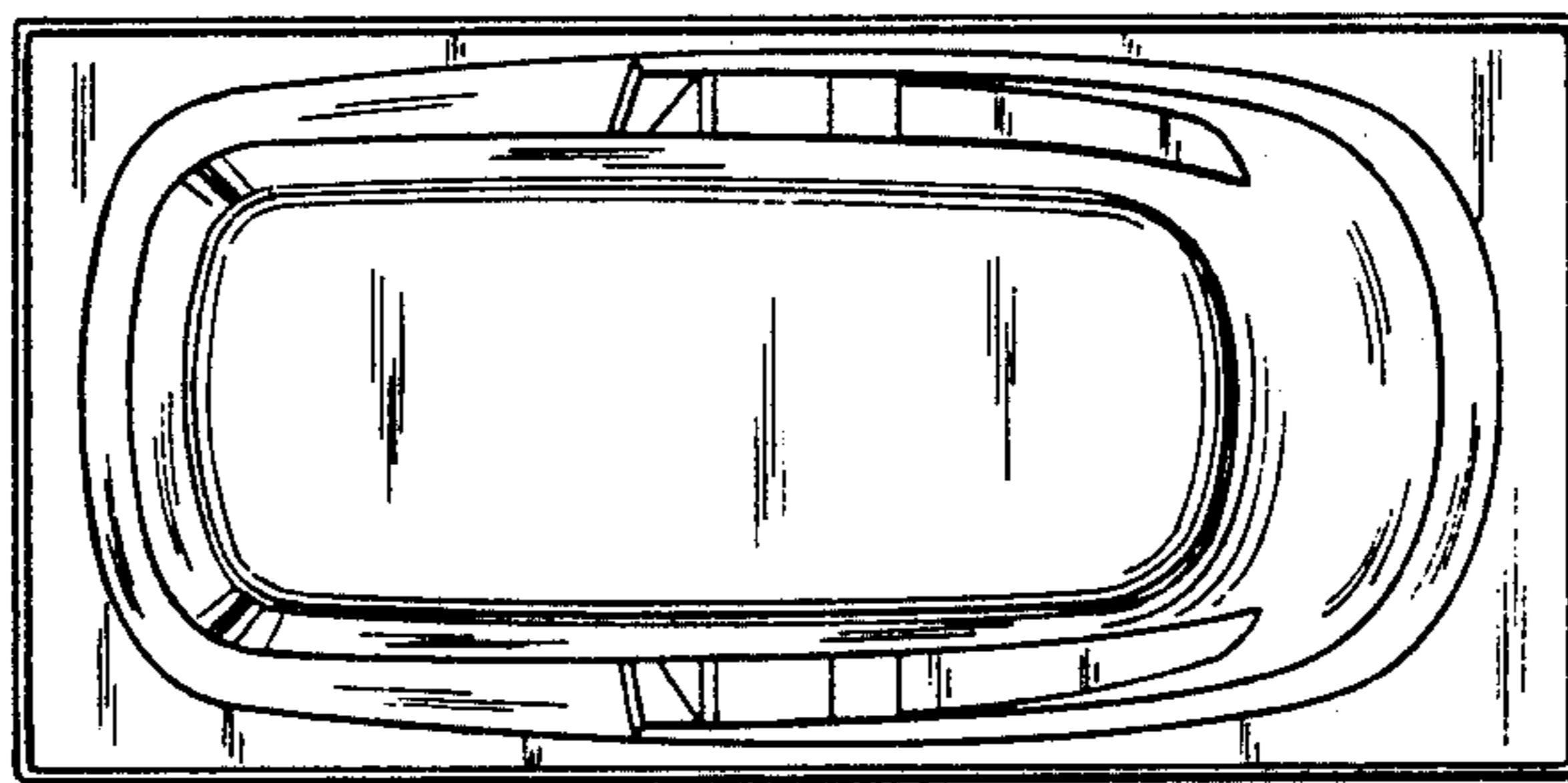
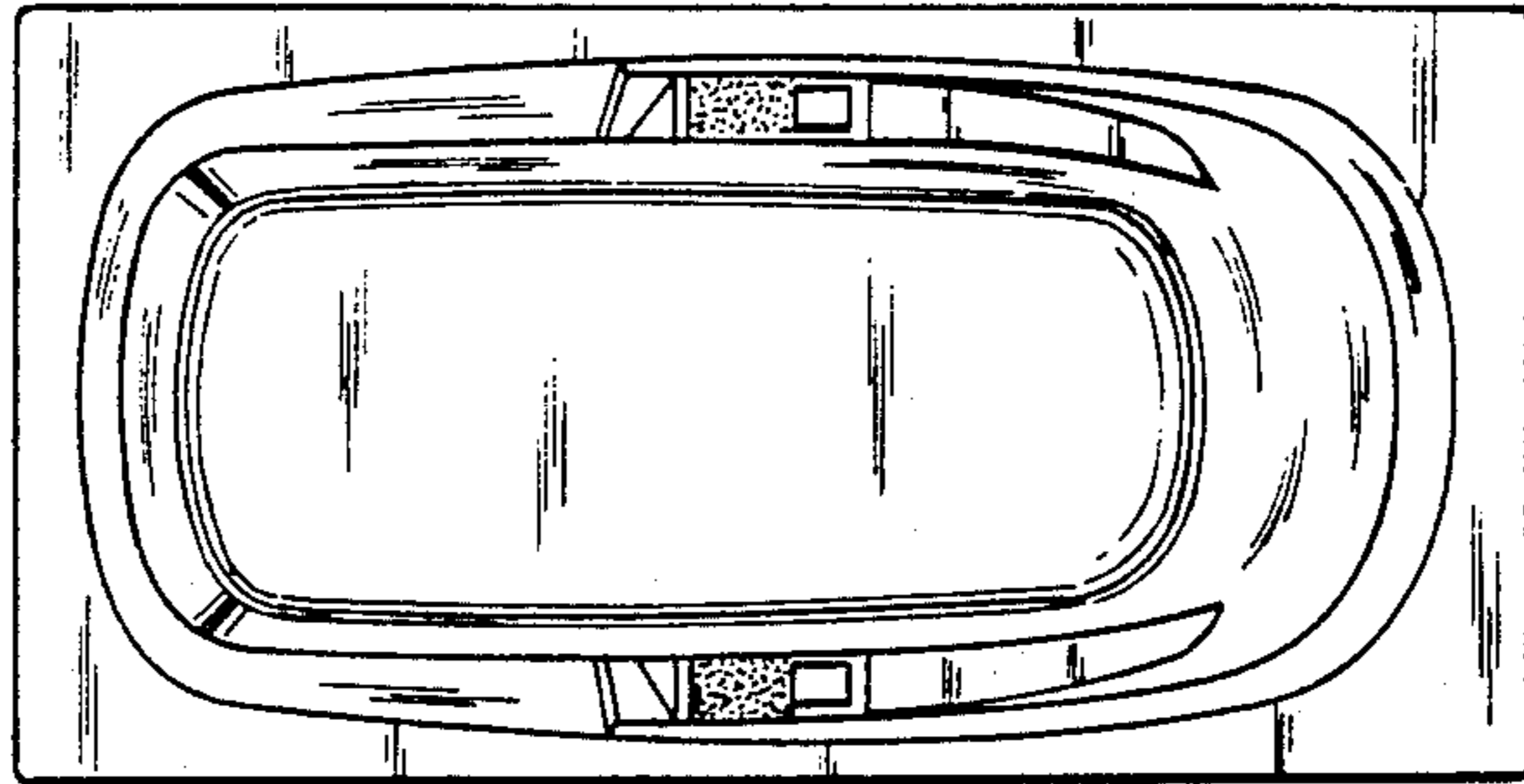


*Fig. 7*

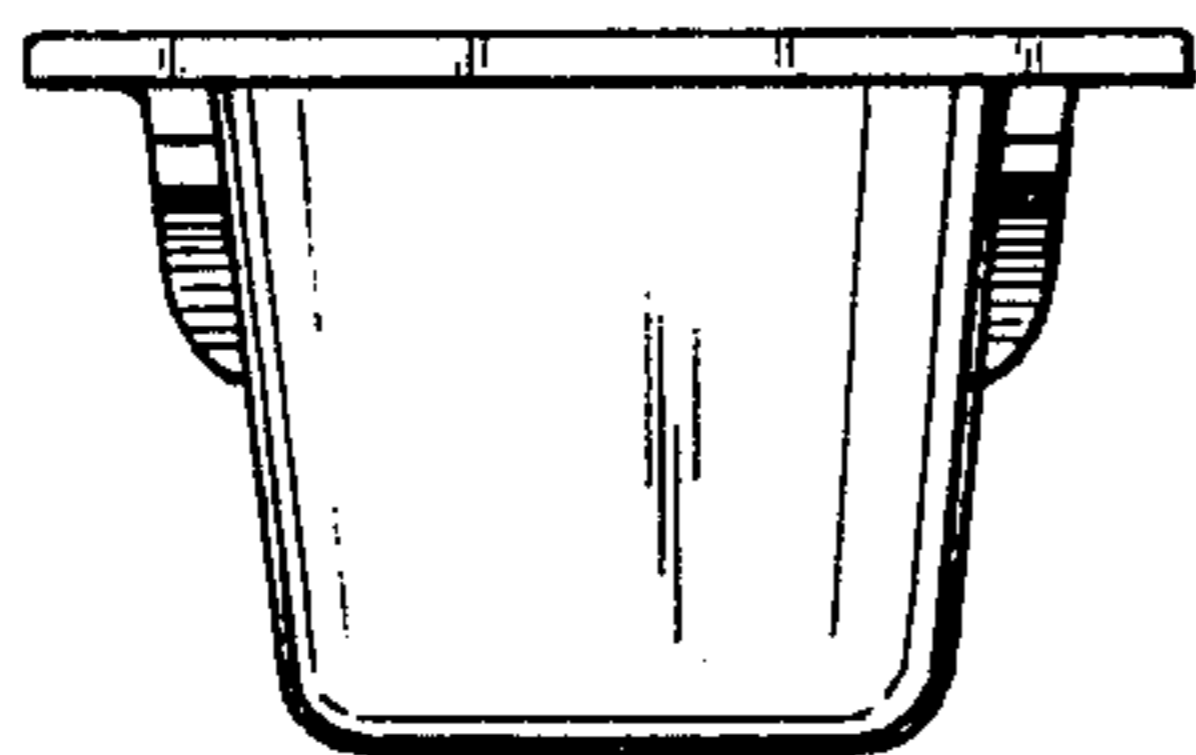


*Fig. 8*

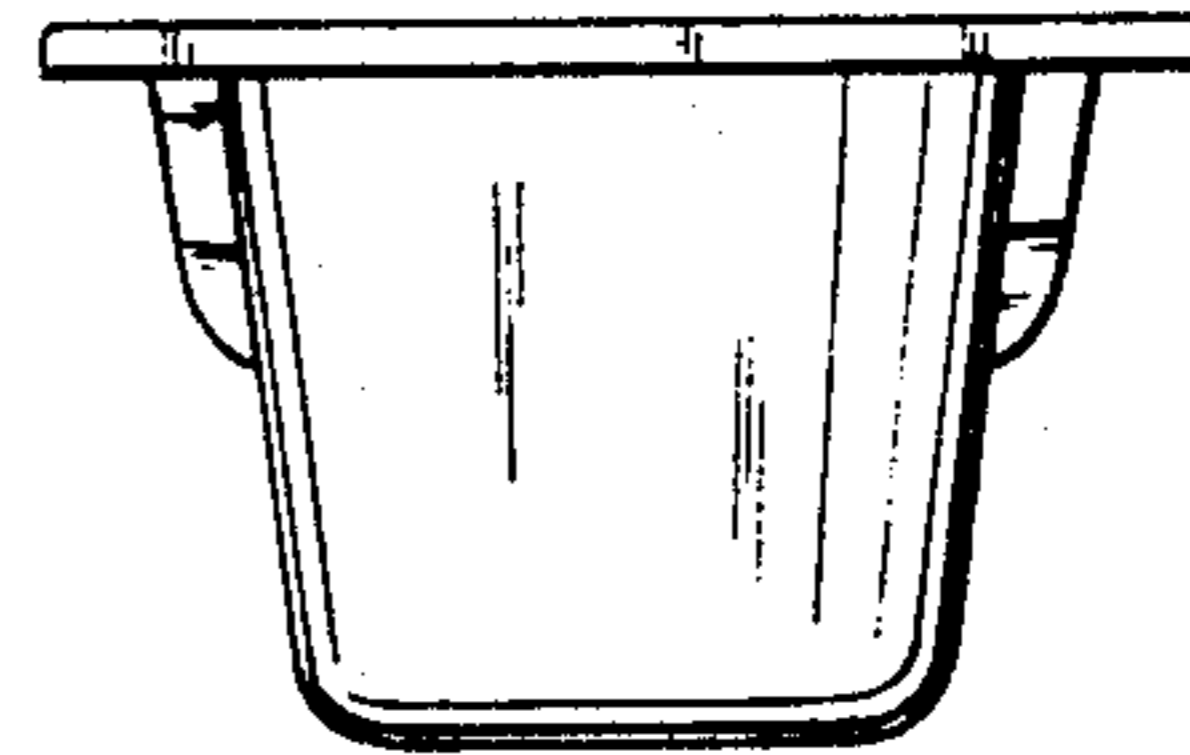
*Fig. 9*



*Fig. 10*

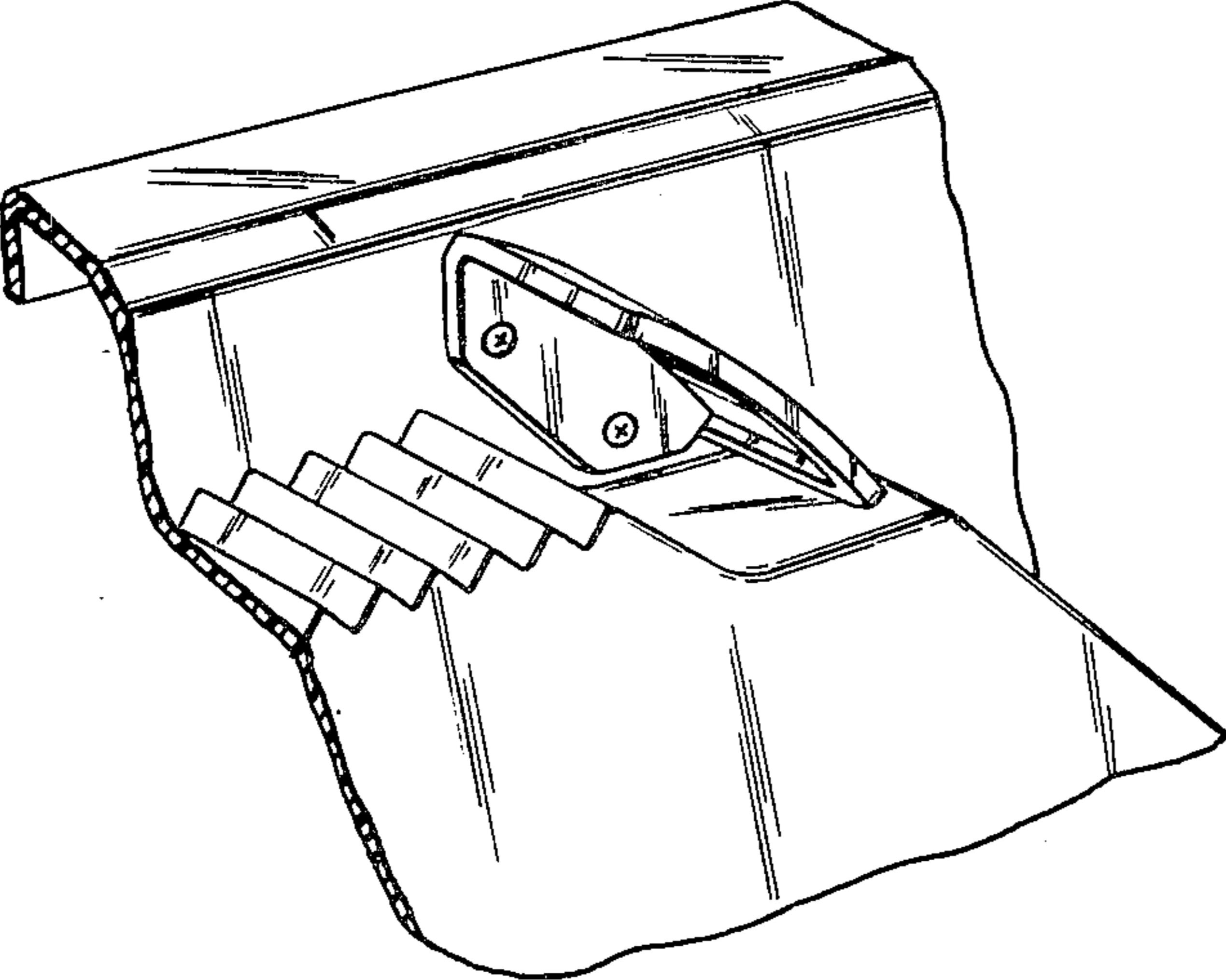
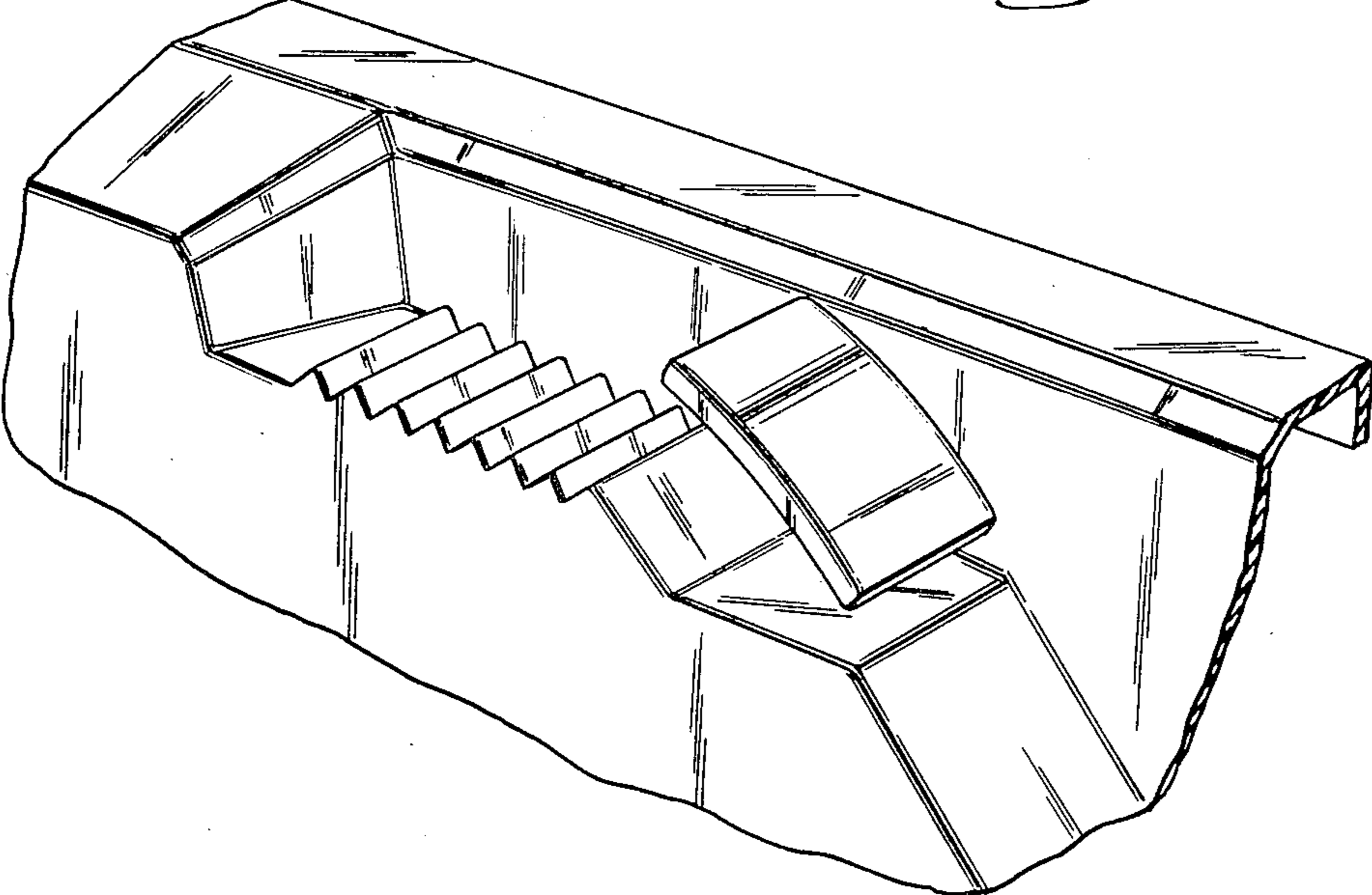


*Fig. 11*



*Fig. 12*

*Fig. 13*



*Fig. 14*