

[54] REGULATOR

3,911,948 10/1975 Collins, Jr. et al. 137/505.42

[75] Inventor: David A. Pryor, Denton, Tex.

OTHER PUBLICATIONS

[73] Assignee: Victor Equipment Company, Denton, Tex.

Victor Gas Apparatus Catalog, 1982, pp. 24-27.
Oxweld/Purox Regulators and Gas Control Equipment, #NWSA 230, 270, 295, pp. 3/3 and 3/7.
Victor Master Catalog, Welding & Cutting Division, 1974, p. 100.

[**] Term: 14 Years

[21] Appl. No.: 597,224

Primary Examiner—James R. Largen
Attorney, Agent, or Firm—Majestic, Gallagher, Parsons & Siebert

[22] Filed: Apr. 5, 1984

[52] U.S. Cl. D23/21; D10/85

[58] Field of Search D23/19-22;
137/505.12, 505.41, 505.42; D10/85;
137/505.18

[57] CLAIM

The ornamental design of a regulator, substantially as shown and described.

[56] References Cited

U.S. PATENT DOCUMENTS

D. 259,734	6/1981	Cerrato	D23/21
2,061,794	11/1936	Deming	137/505.42
2,195,728	4/1940	Jones et al.	137/505.42 X
2,618,908	11/1952	Salter et al.	137/505.41 X
2,625,954	1/1953	Klein	137/505.42 X
2,770,252	11/1956	Bass, Sr.	137/505.12
3,286,726	11/1966	Guy	137/505.42 X
3,547,143	12/1970	Mills, Jr.	17/505.42 X
3,586,037	6/1971	Zimmer	137/505.13

DESCRIPTION

FIG. 1 is an isometric view taken from the top, front and right side of a regulator showing my new design; FIG. 2 is a front elevational view thereof; FIG. 3 is a top plan view thereof; FIG. 4 is a right side elevational view thereof; FIG. 5 is a left side elevational view thereof; FIG. 6 is a bottom plan view thereof; and FIG. 7 is a rear elevational view thereof.

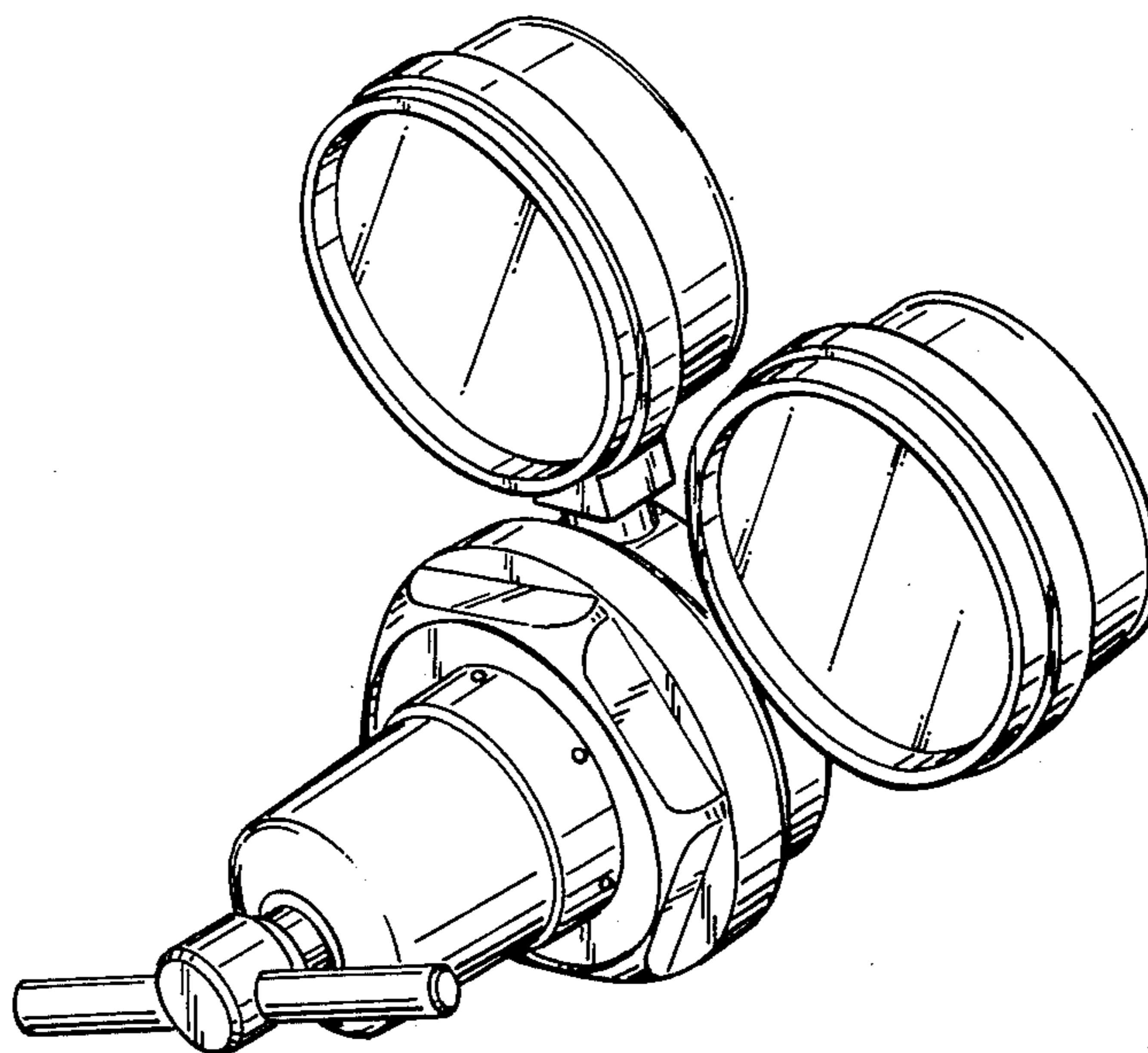


FIG. 1.

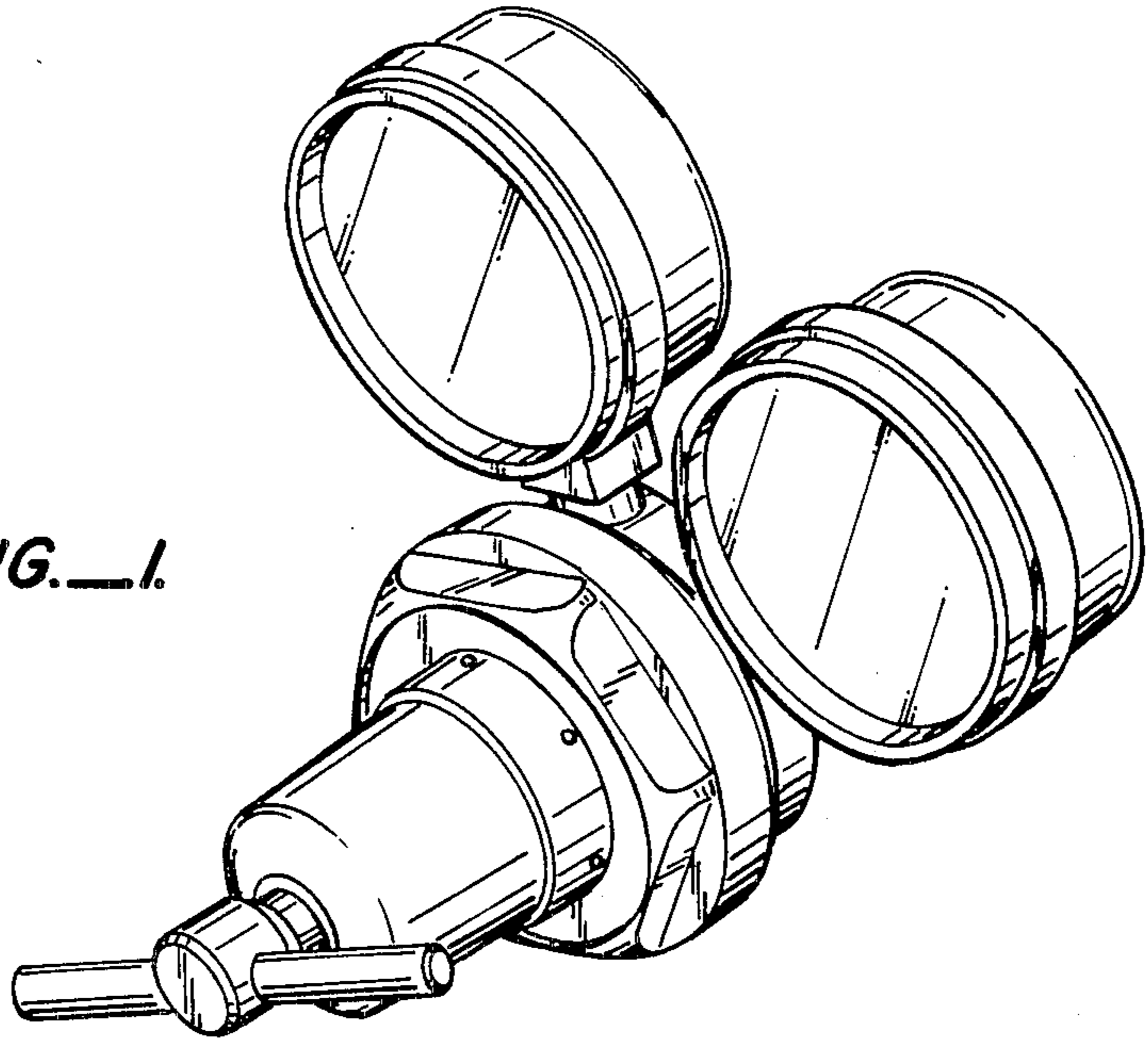


FIG. 7.

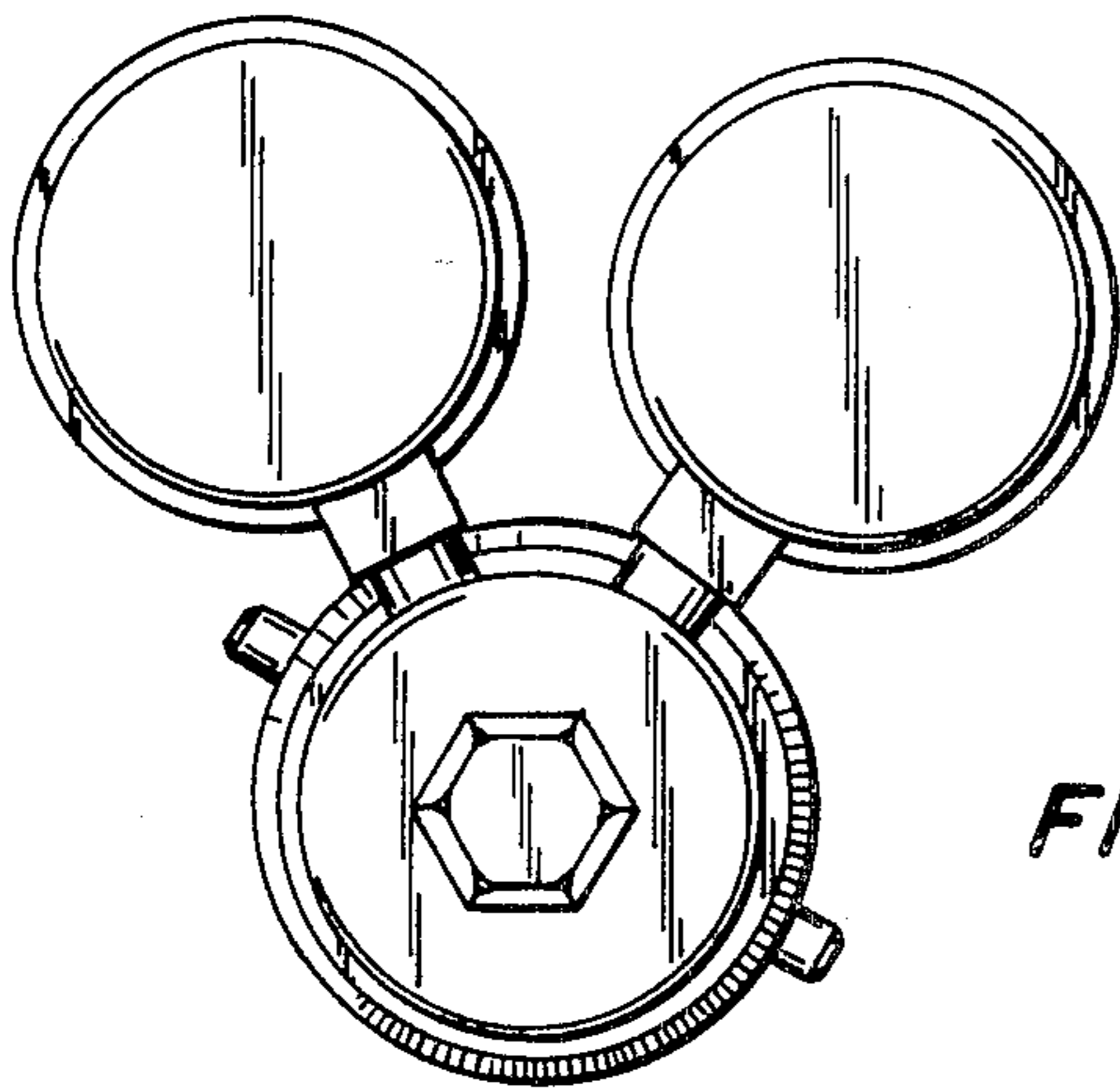
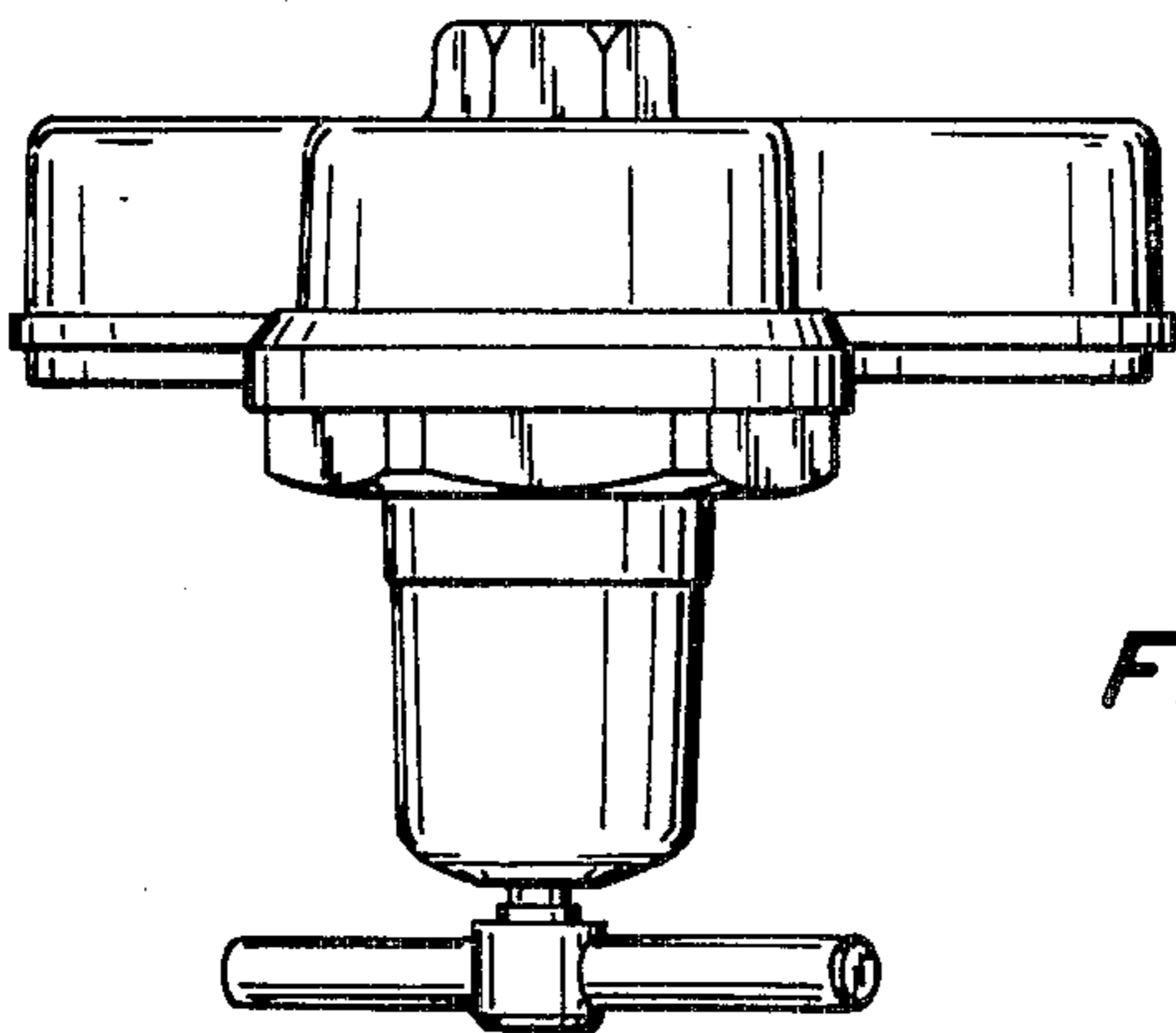


FIG. 6.



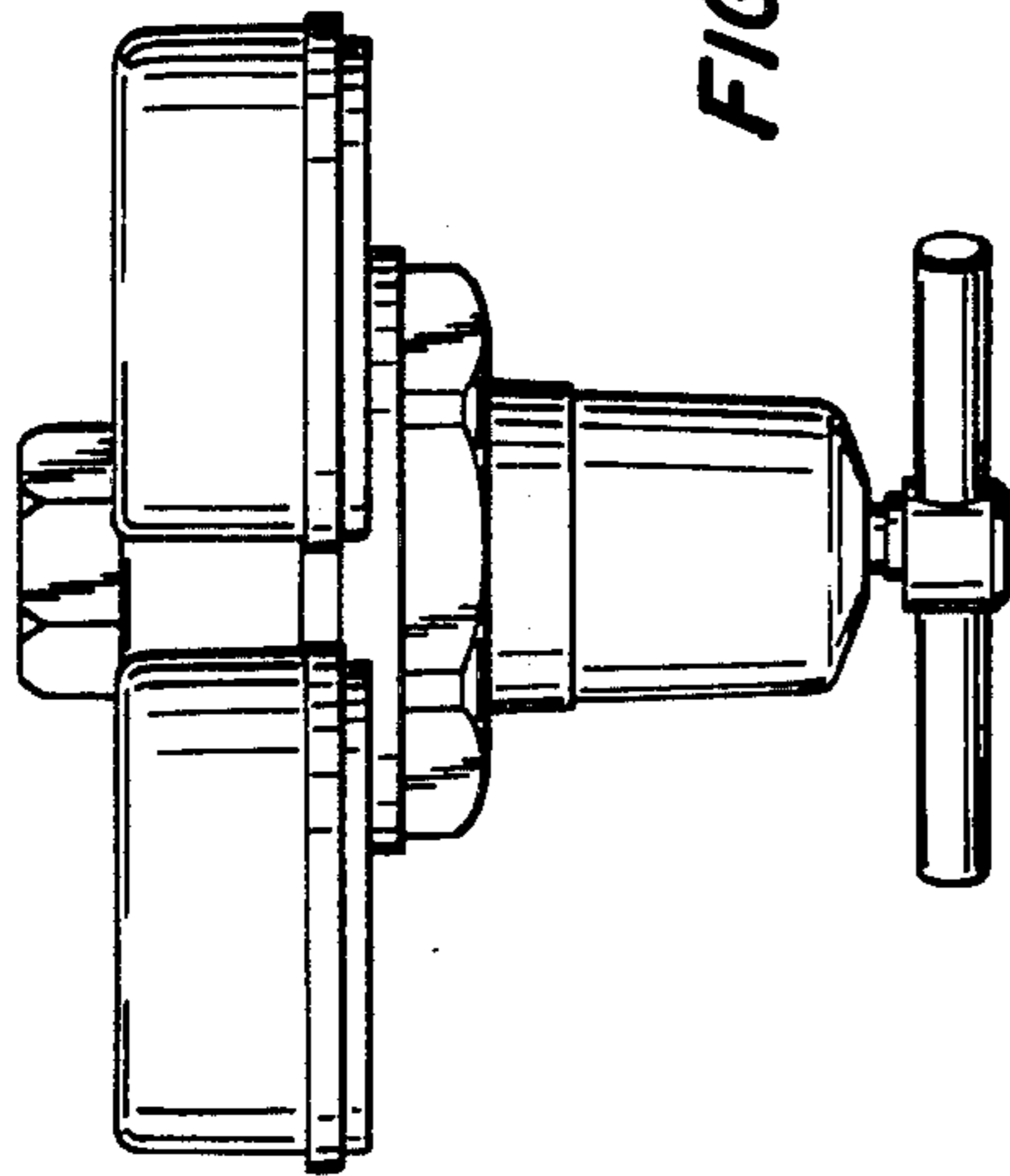


FIG.—3.

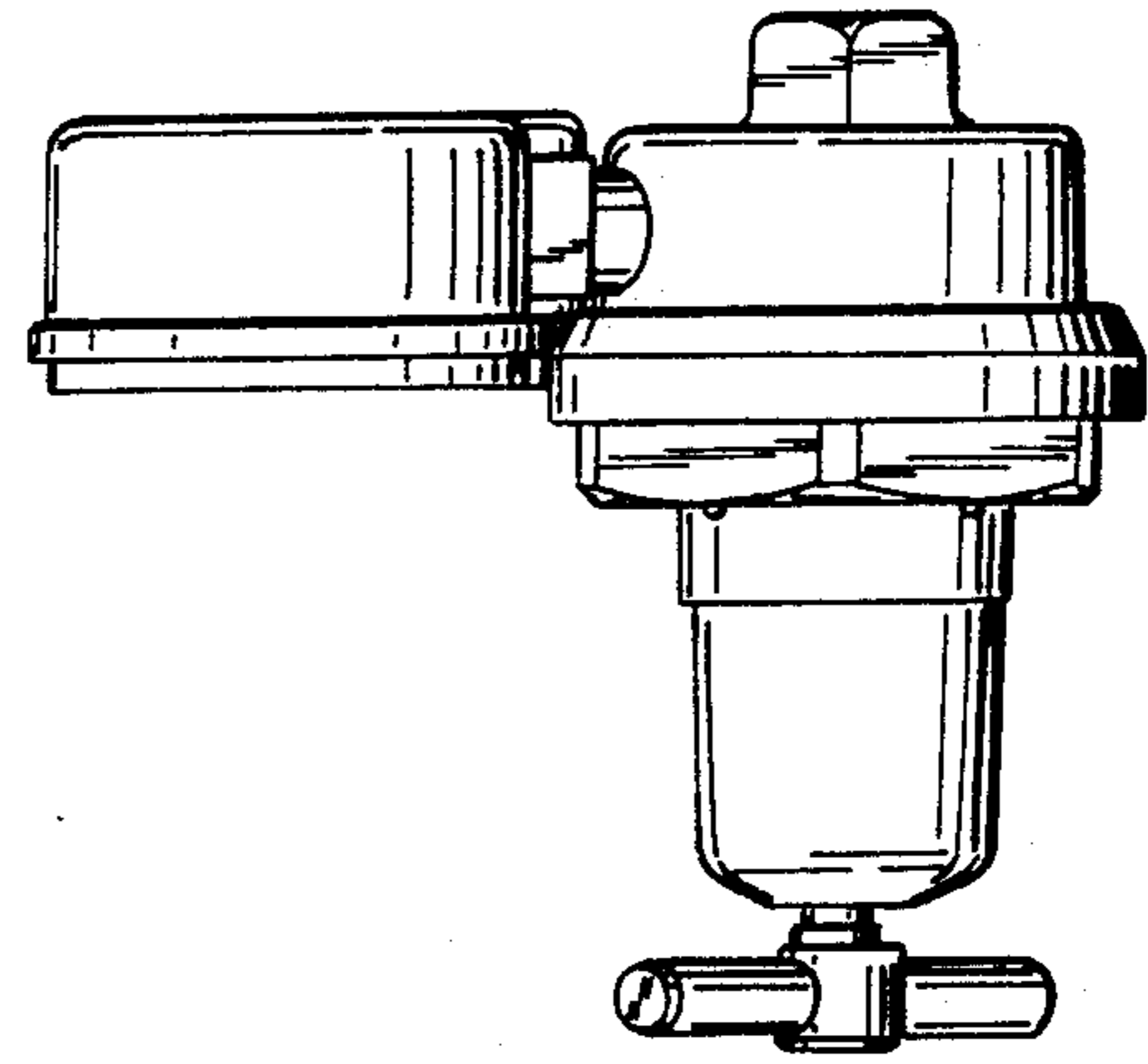


FIG.—4.

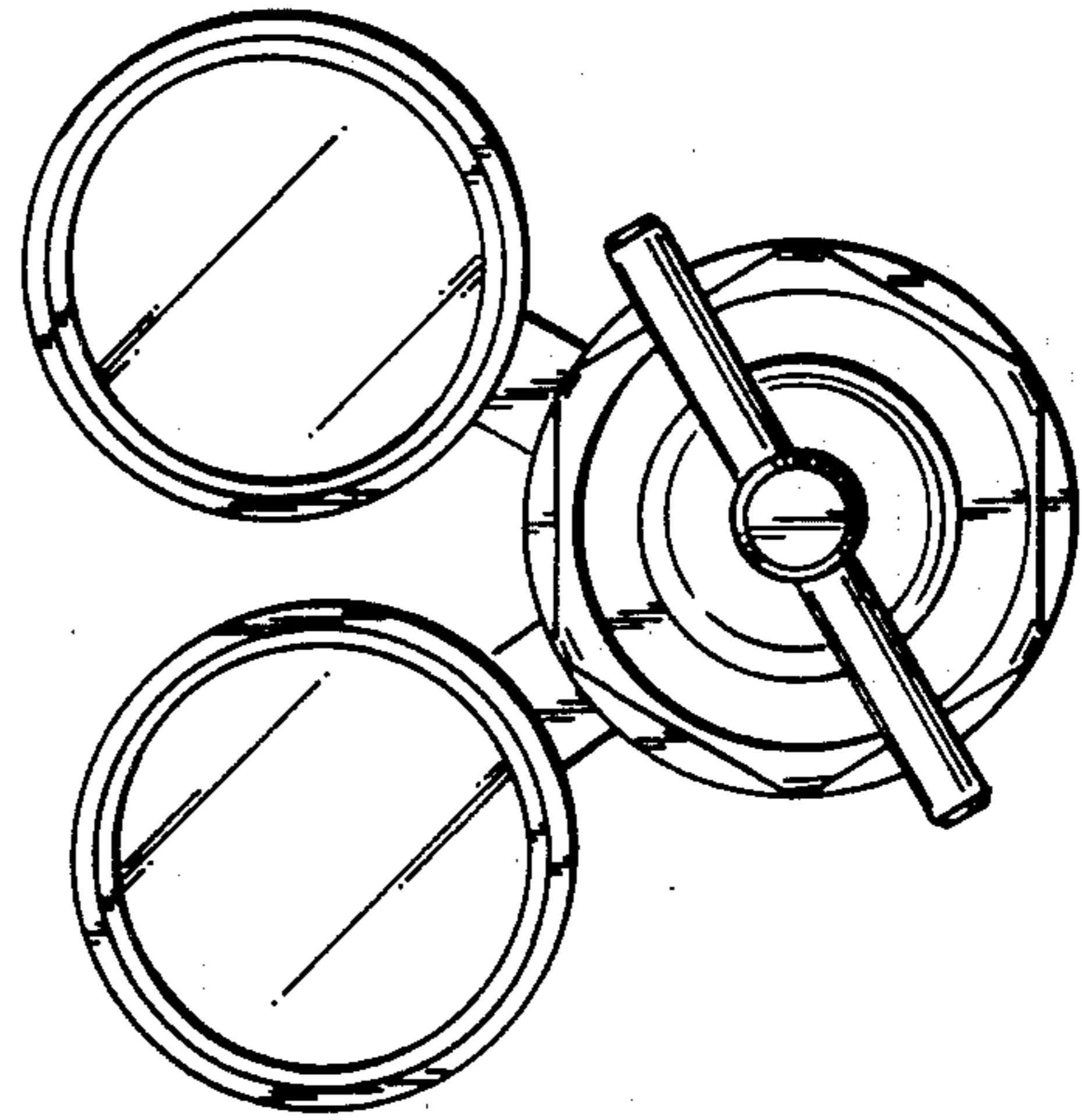


FIG.—2.

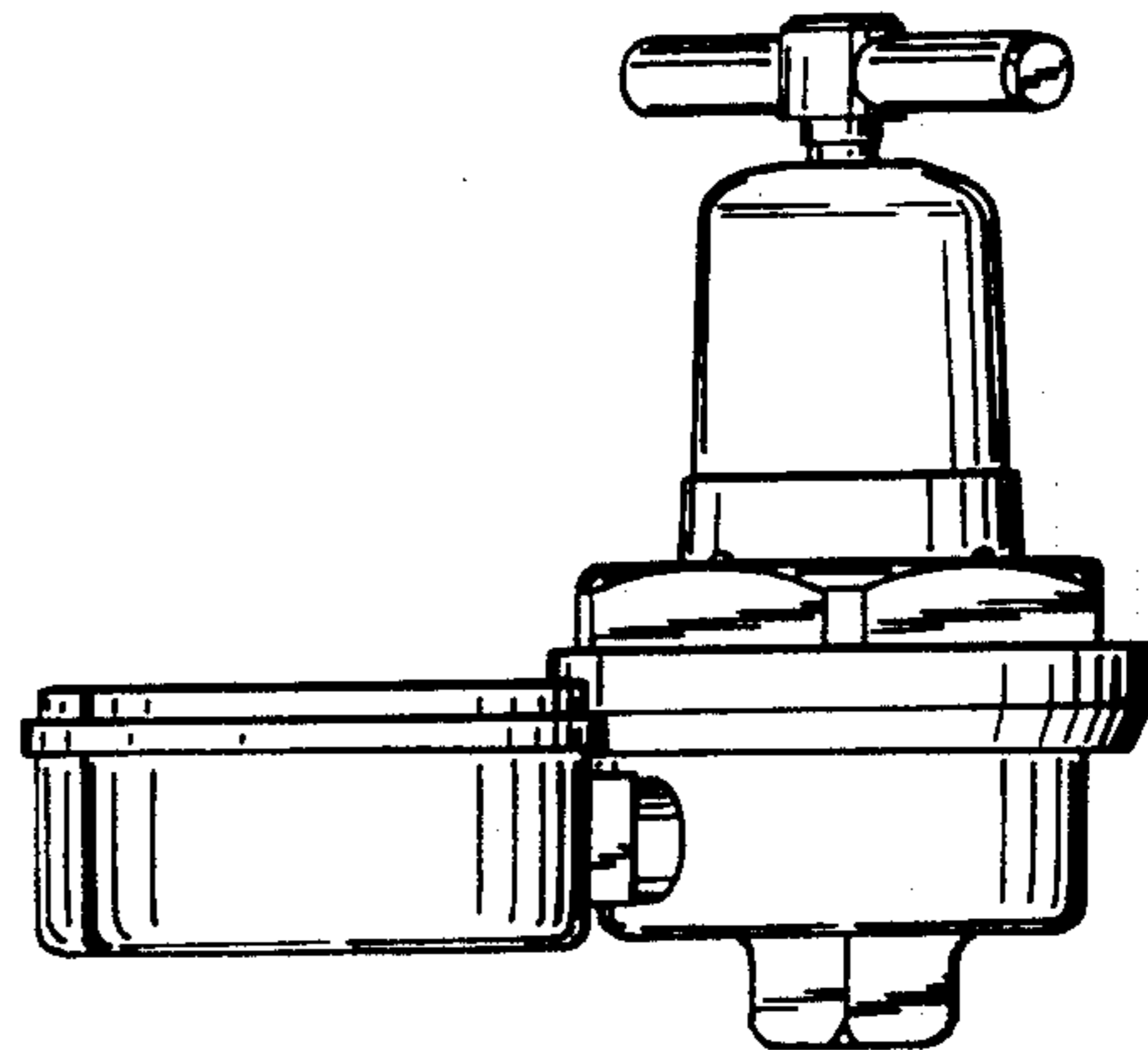


FIG.—5.