

[54] ABDOMINAL-BACK EXERCISER

3,682,475 8/1972 Walker ..... 272/145

[76] Inventor: Minchy Lee, Fl. 4, No. 8-3, Alley 1,  
Lane 770, Min Shen E. Road, Taipei,  
Taiwan

Primary Examiner—Charles A. Rademaker  
Attorney, Agent, or Firm—Robert B. Frailey

[\*\*] Term: 14 Years

[57] CLAIM

The ornamental design for an abdominal-back exerciser,  
as shown.

[21] Appl. No.: 631,147

[22] Filed: Jul. 16, 1984

[52] U.S. Cl. .... D21/191

[58] Field of Search ..... D21/191-199;  
272/72, 143, 134, 144, 145

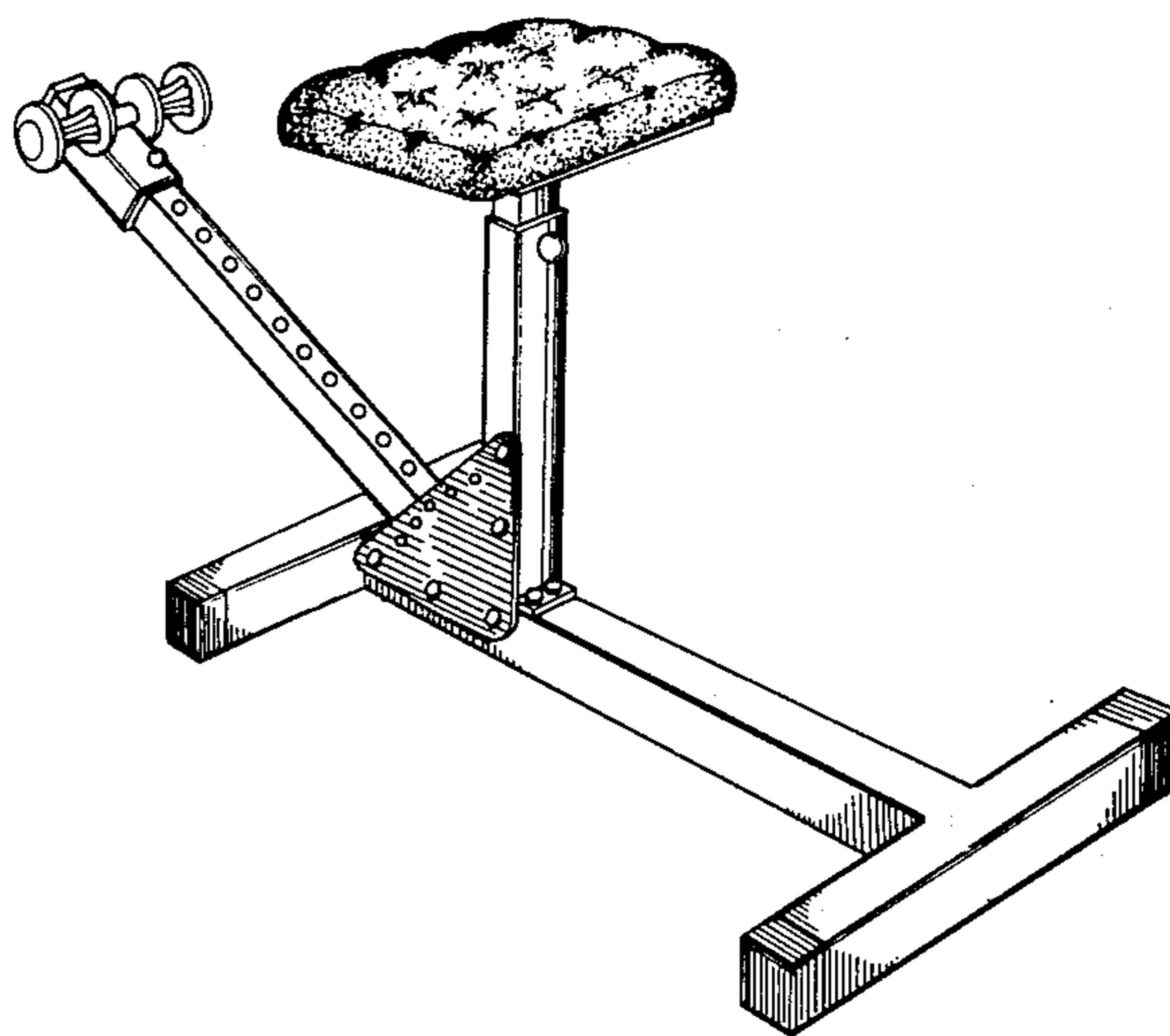
DESCRIPTION

FIG. 1 is a perspective view of an abdominal-back exer-  
ciser showing my new design;  
FIG. 2 is a top plan view thereof;  
FIG. 3 is a front elevational view thereof;  
FIG. 4 is a right side elevational view thereof;  
FIG. 5 is a left side elevational view thereof;  
FIG. 6 is a rear elevational view thereof; and  
FIG. 7 is a bottom plan view thereof.

[56] References Cited

U.S. PATENT DOCUMENTS

D. 259,799 7/1981 Brentham ..... D21/195  
3,446,503 5/1969 Lawton ..... D21/195



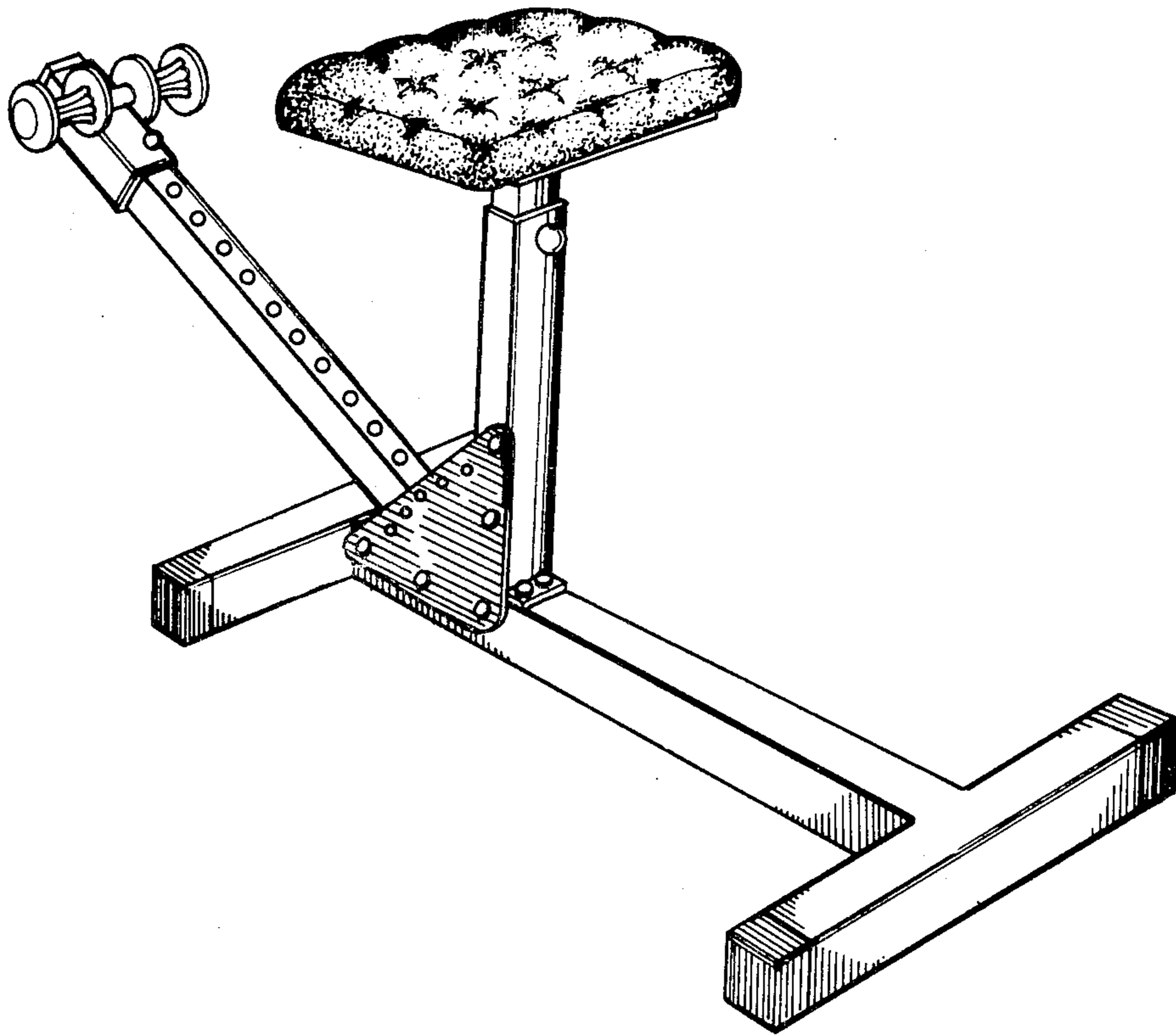


FIG. 1

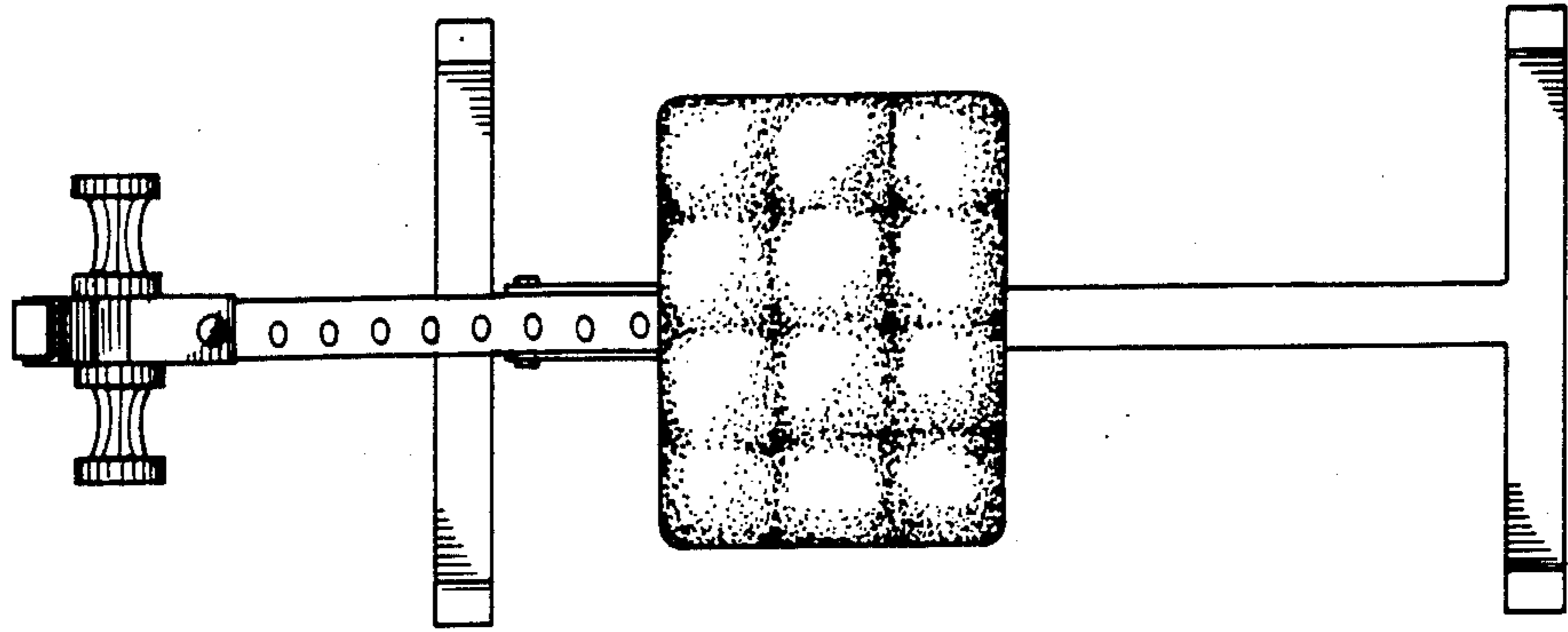


FIG. 2

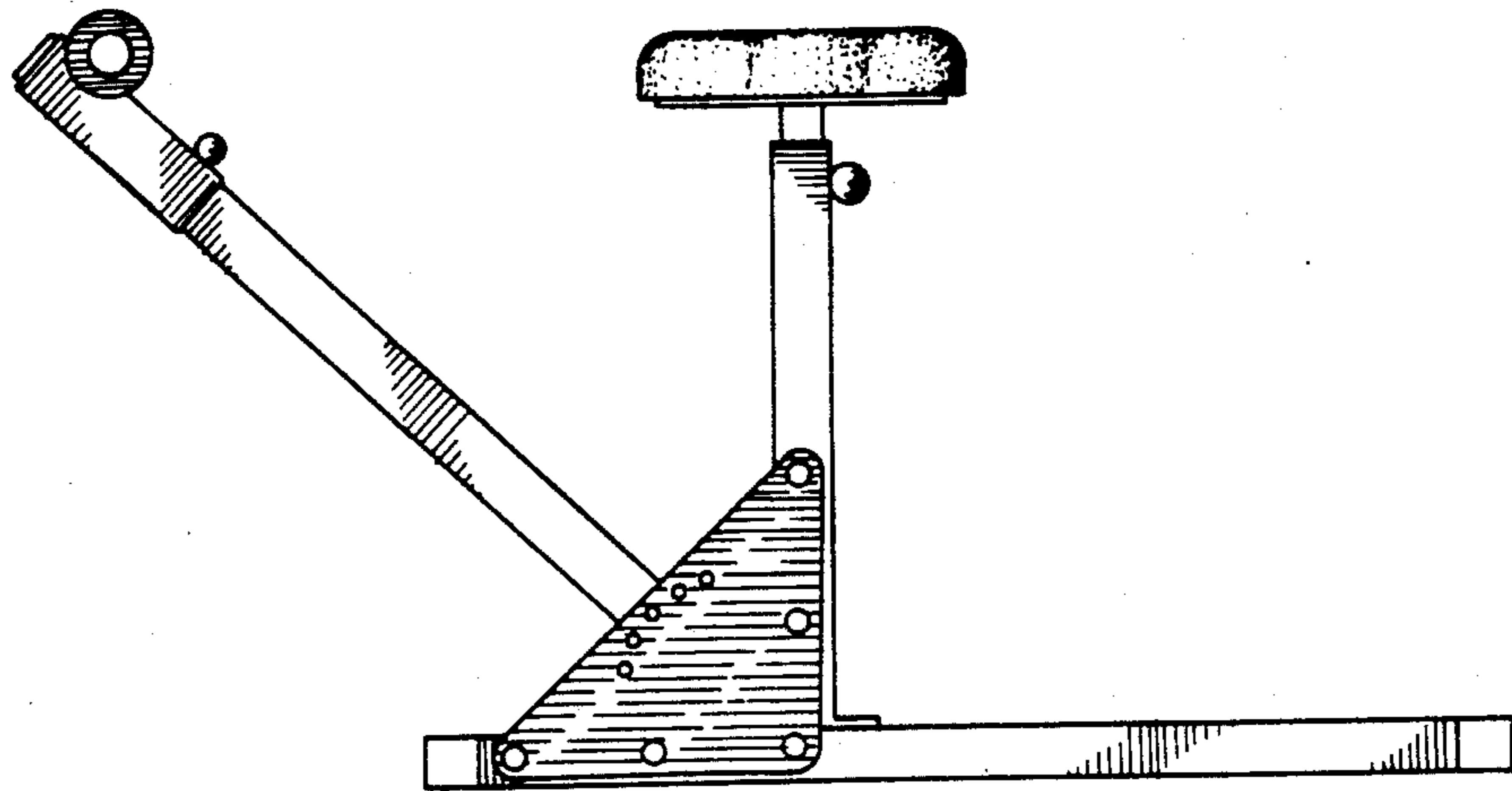


FIG. 3

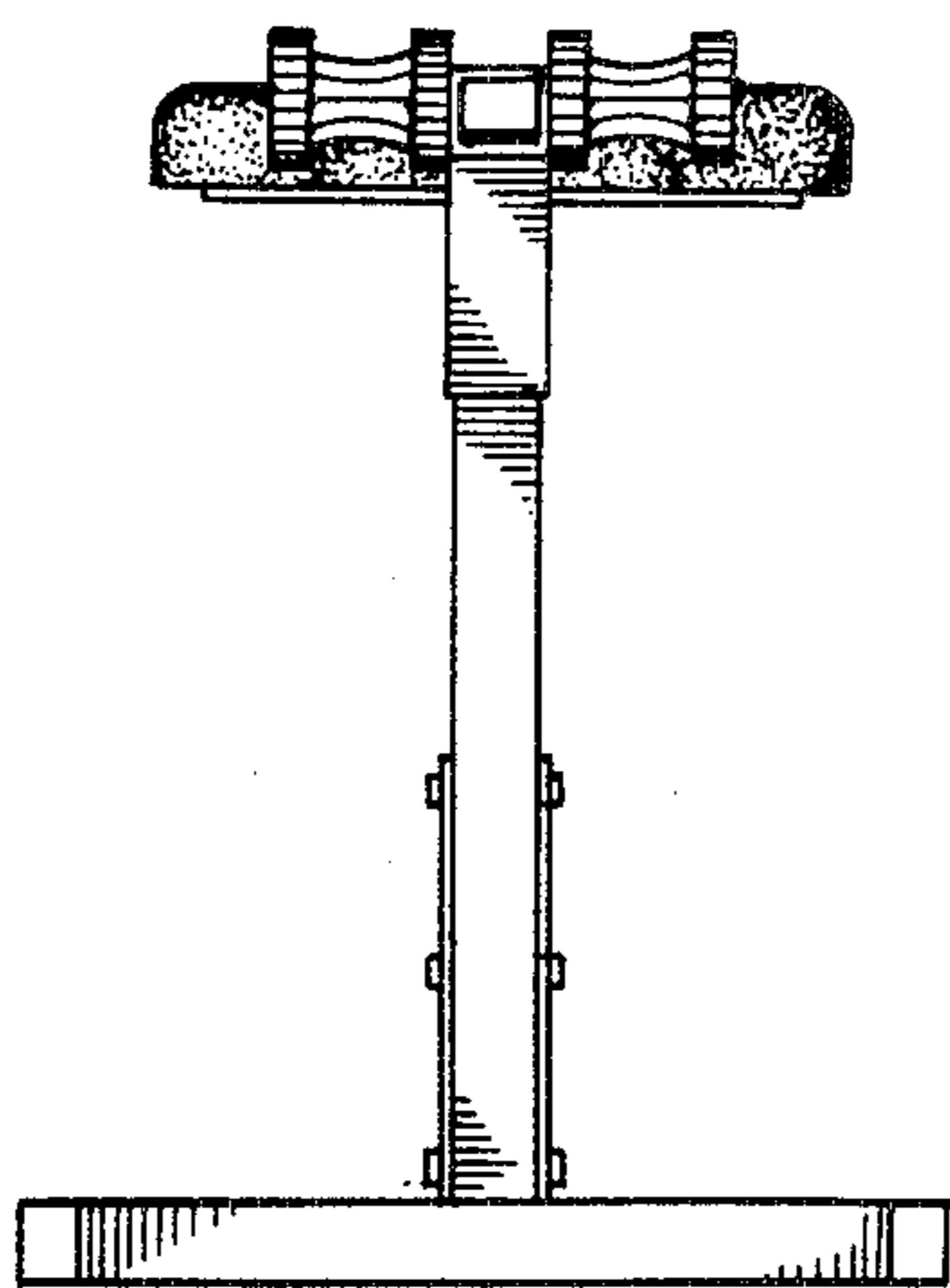


FIG. 5

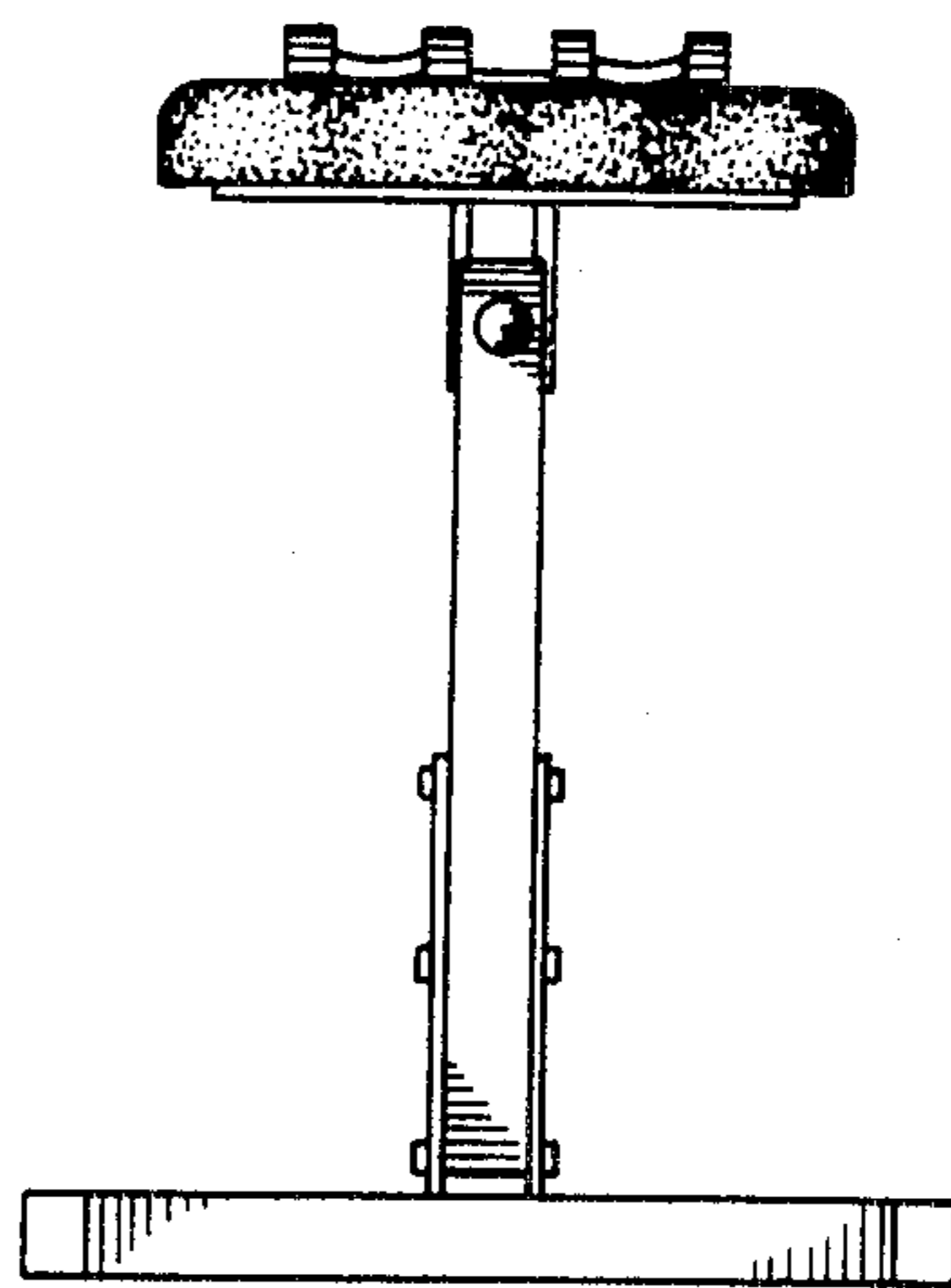


FIG. 4

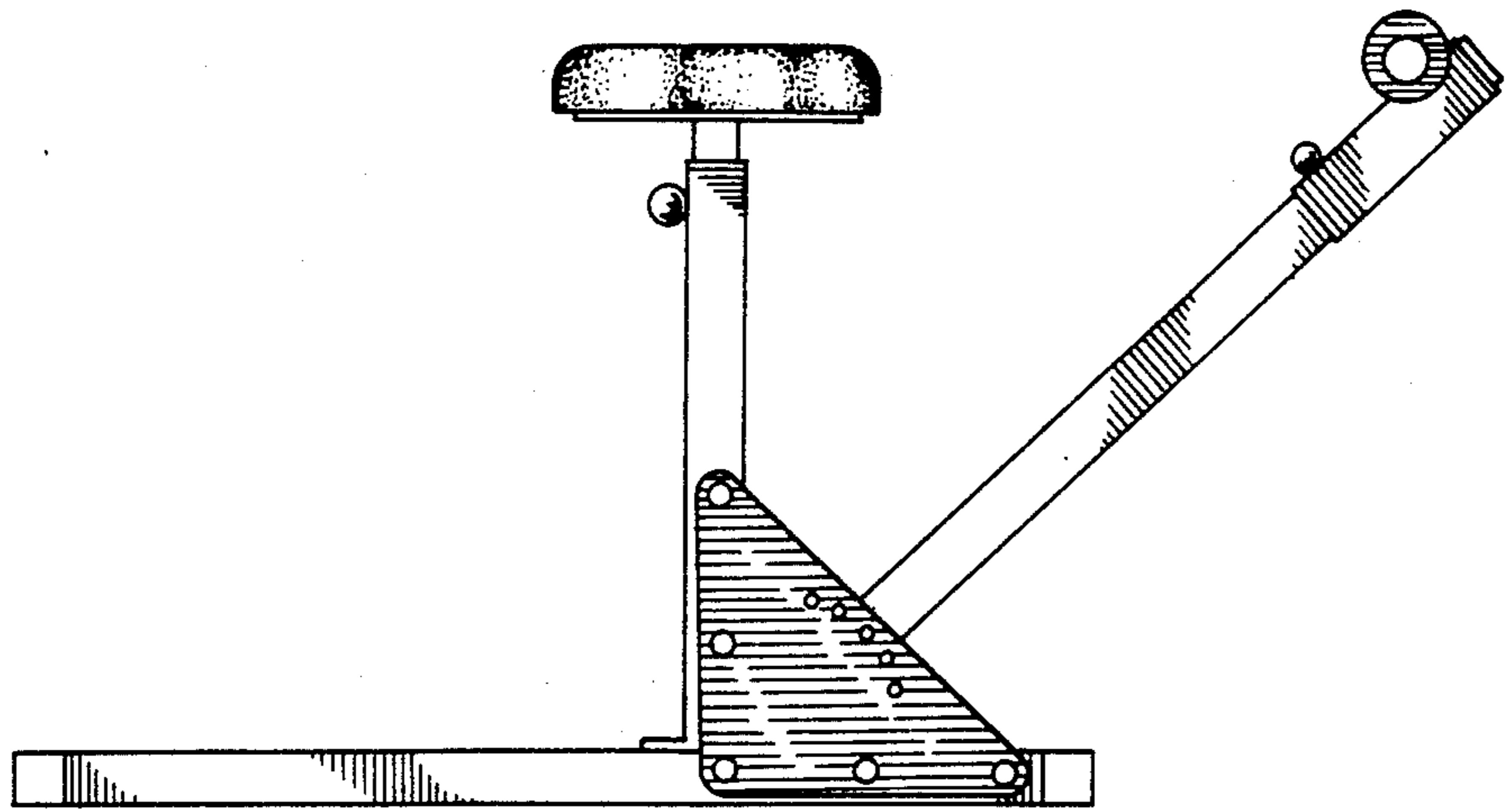


FIG. 6

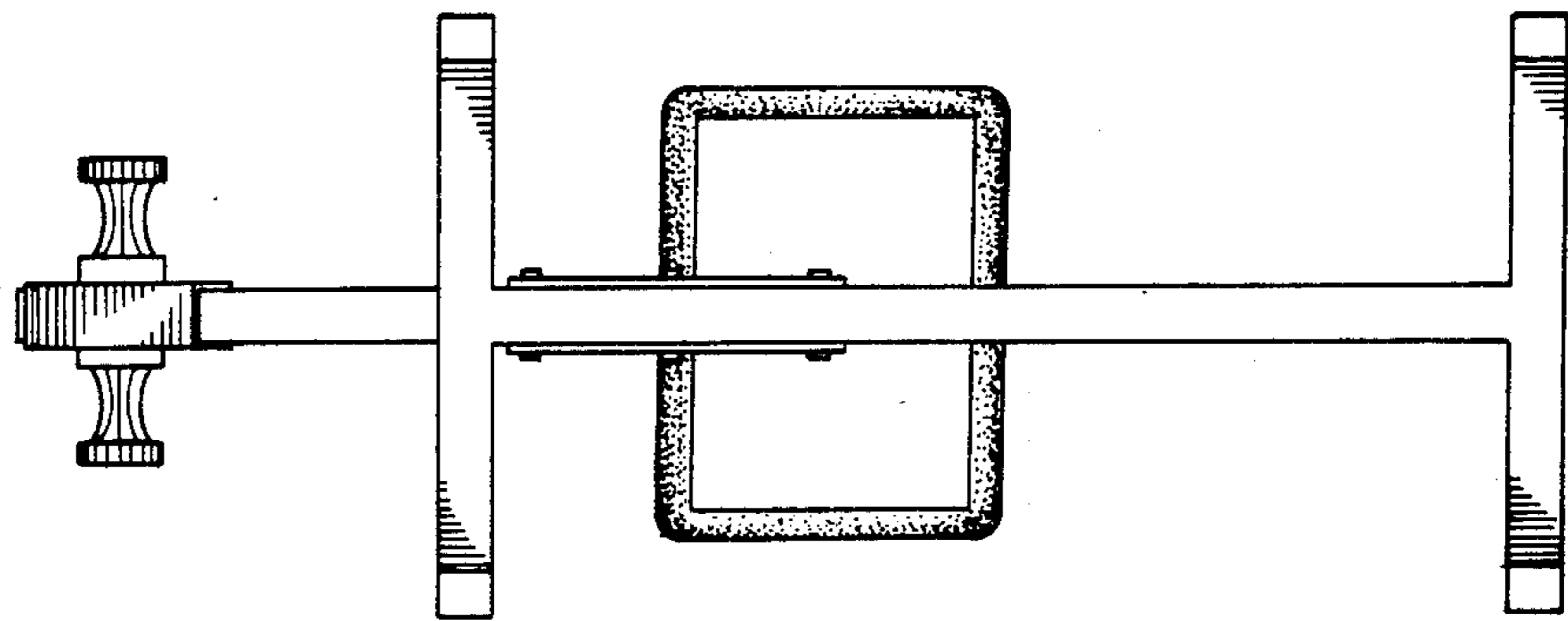


FIG. 7