

[54] SPINNING SUCTION TOY

[75] Inventor: Paul Thom, Quincy, Mass.

[73] Assignee: Kiddie Products, Inc., Avon, Mass.

[**] Term: 14 Years

[21] Appl. No.: 688,005

[22] Filed: Dec. 31, 1984

[52] U.S. Cl. D21/65

[58] Field of Search D21/59, 63, 64, 65,
D21/111, 150; 446/227, 183, 184, 419, 420, 421

[56] References Cited

U.S. PATENT DOCUMENTS

D. 275,410	9/1984	Panicci	D21/65
D. 276,451	11/1984	Panicci	D21/65
D. 280,749	9/1985	Thompson et al.	D24/45
2,377,104	5/1945	Rapaport	D21/150

OTHER PUBLICATIONS

Discovery Toys Catalog, Spring/Summer 1983, item E, "Wobble Globe".

Primary Examiner—Charles A. Rademaker

[57] CLAIM

The ornamental design for a spinning suction toy, as shown and described.

DESCRIPTION

FIG. 1 is a front elevational view of a spinning suction toy showing my new design, the side opposite being substantially a mirror image;

FIG. 2 is a top plan view thereof;

FIG. 3 is a side elevational view thereof, the side opposite being substantially a mirror image; and,

FIG. 4 is a top plan view of the sliding elements shown in FIGS. 1 through 3.

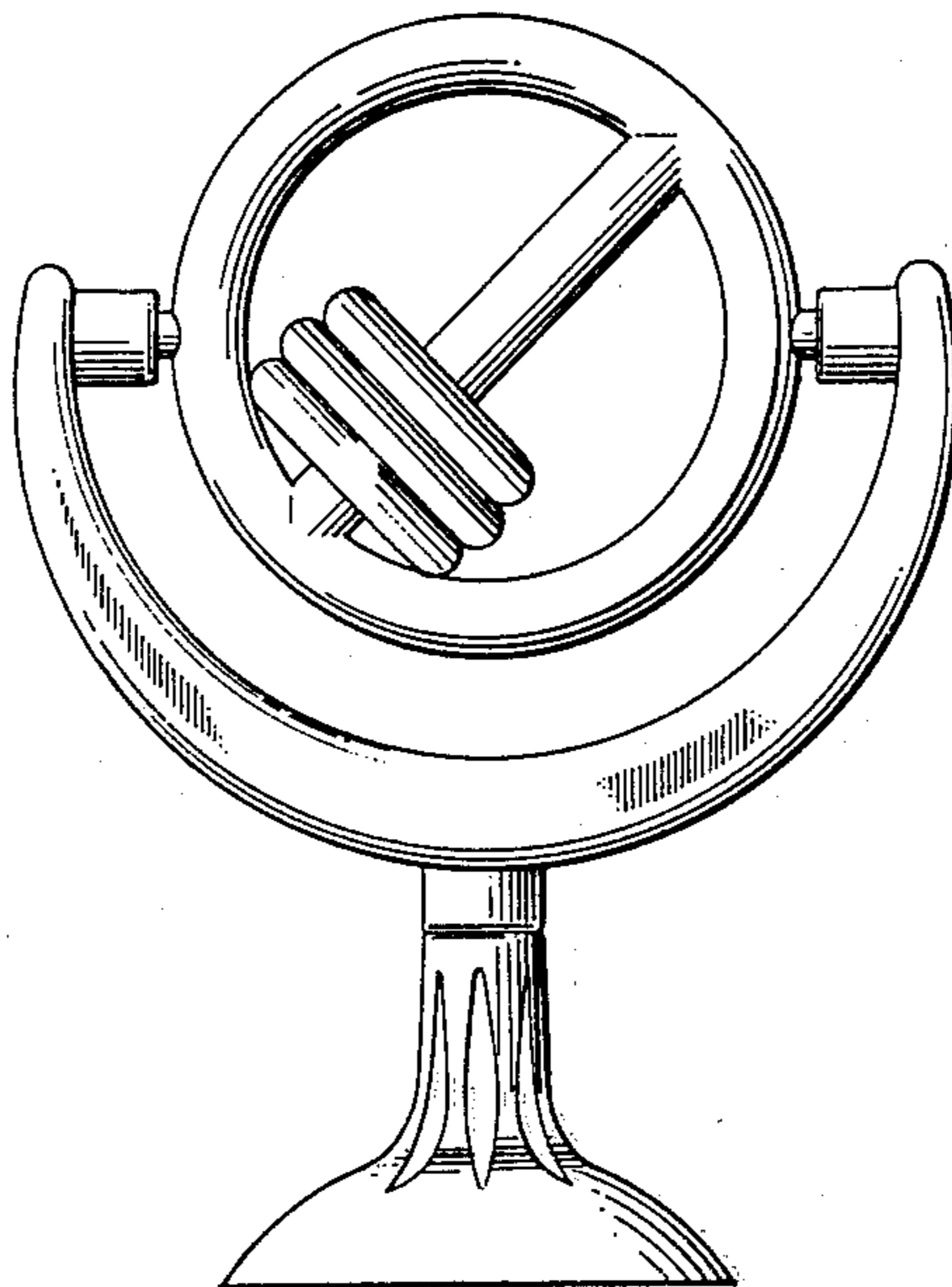


FIG 1

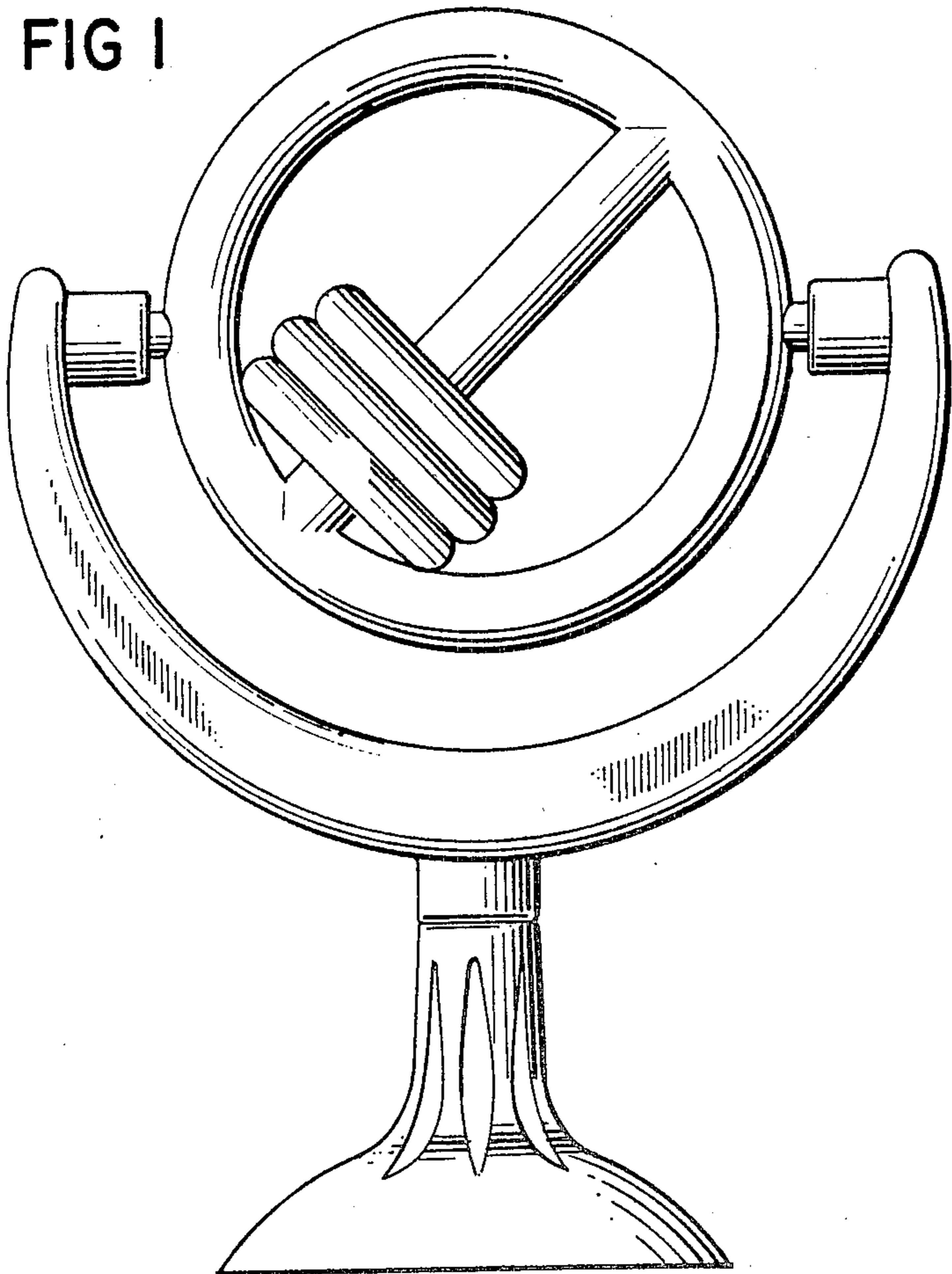


FIG 3

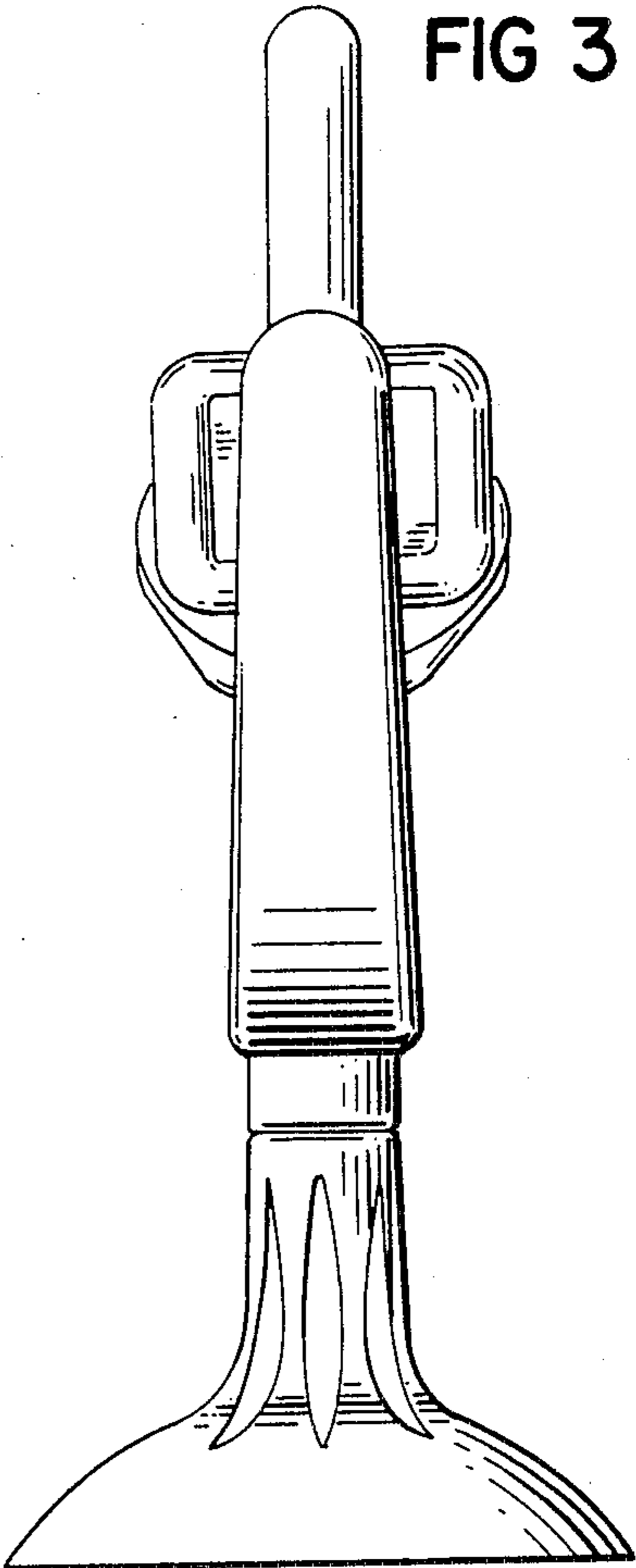


FIG 2

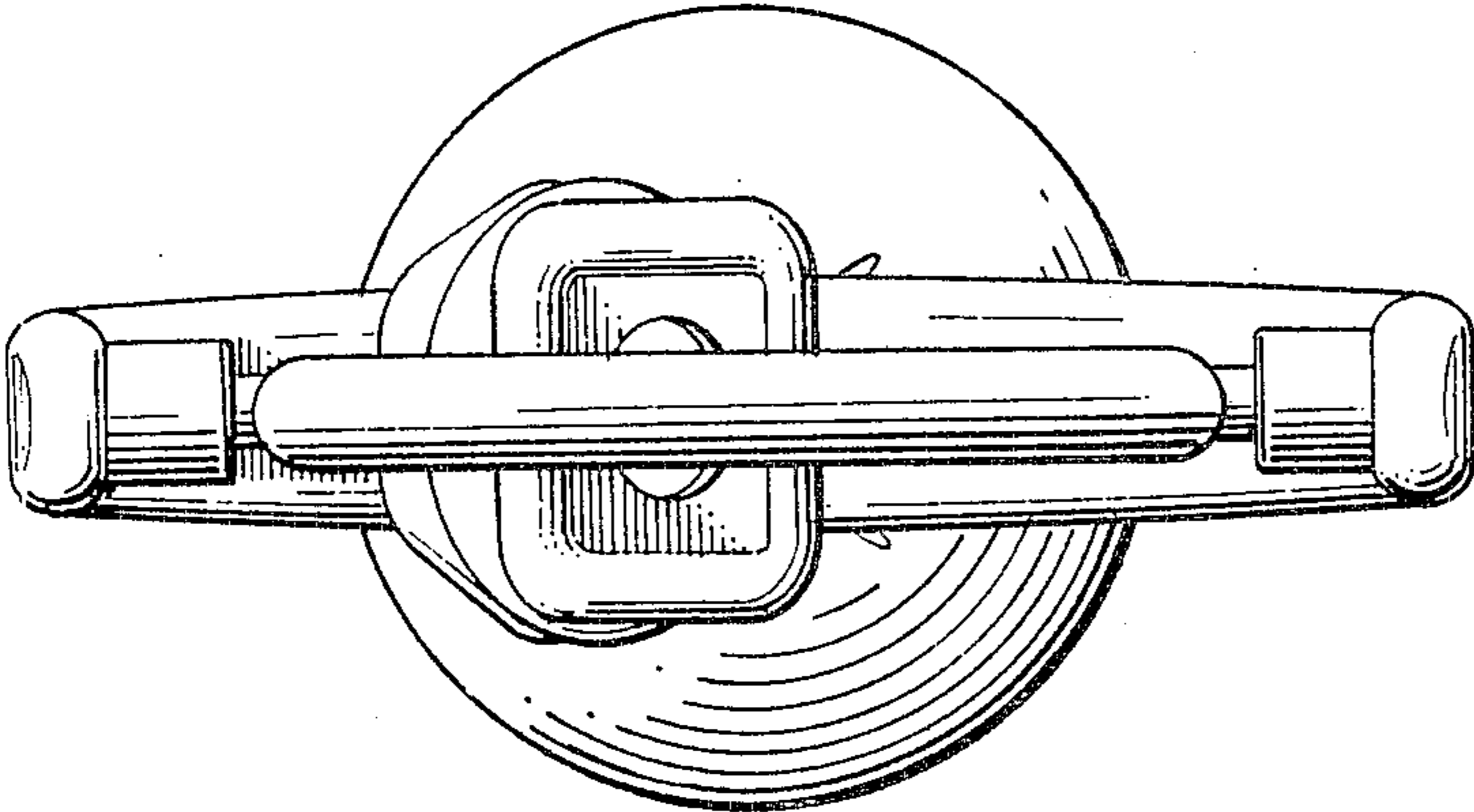


FIG 4

