

[54] **SIMULATIVE TOY FORTRESS**

[75] **Inventors:** Akira Takasaka, Tokyo, Japan;
Michael Nuttall, South Pasadena;
Herbert Weiland, San Pedro, both of Calif.

[73] **Assignee:** Tomy Kogyo Co., Inc., Tokyo, Japan

[**] **Term:** 14 Years

[21] **Appl. No.:** 639,926

[22] **Filed:** Aug. 9, 1984

[30] **Foreign Application Priority Data**

Feb. 10, 1984 [JP] Japan 59-4653

[52] **U.S. Cl.** D21/59; D21/114;
D21/148

[58] **Field of Search** D21/59, 114-116,
D21/148, 189; 446/23, 69, 71, 73, 75, 77, 78, 81;
D9/414, 307, 310, 337

[56] **References Cited**

U.S. PATENT DOCUMENTS

D. 52,151 7/1918 Stean D21/148

D. 198,576 7/1964 Trevena D21/148
3,861,279 1/1975 Maling 446/73
4,295,293 10/1981 Baclit 446/78
4,356,928 11/1982 Stafford 446/73

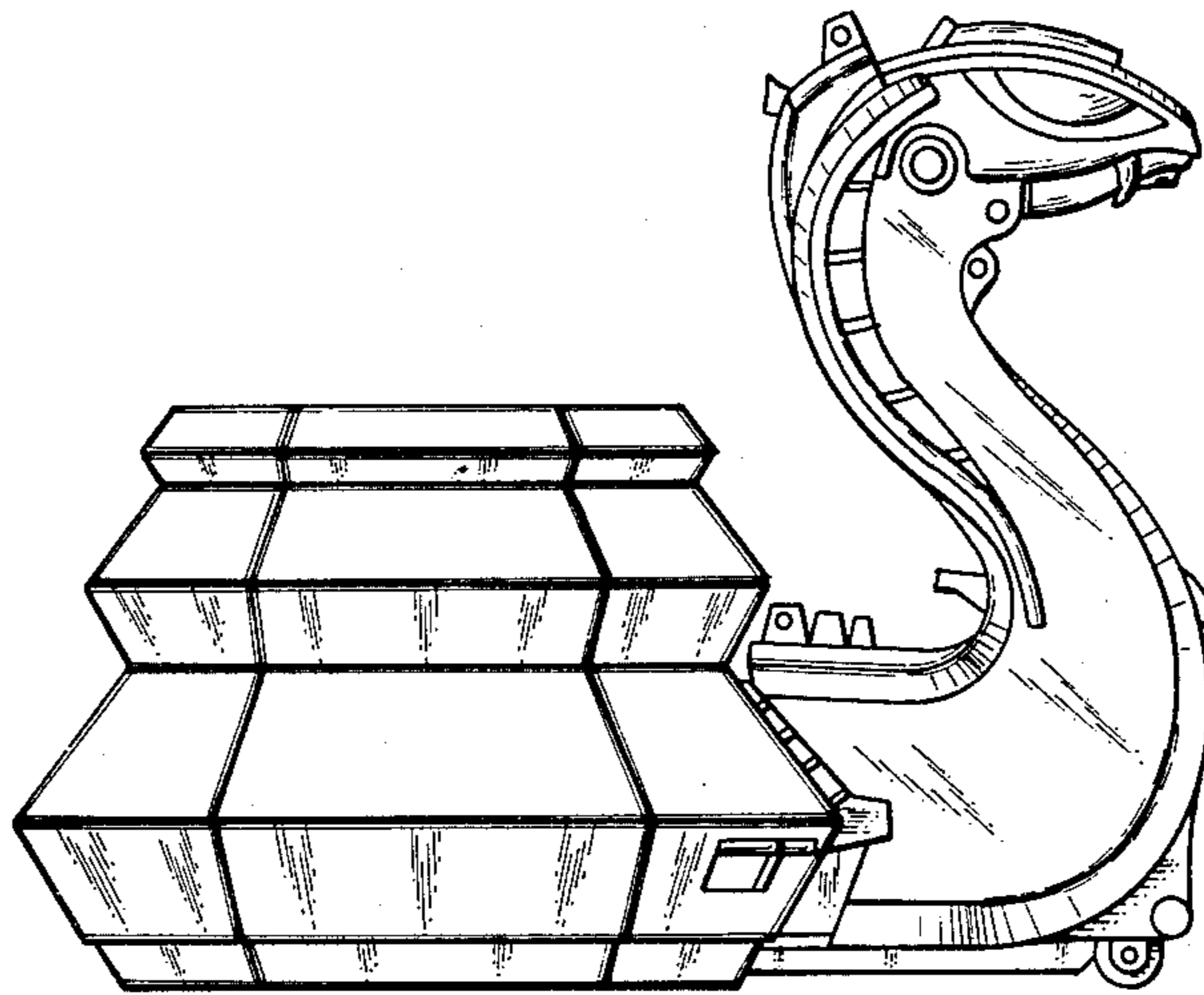
Primary Examiner—Charles A. Rademaker
Attorney, Agent, or Firm—Herb Boswell

[57] **CLAIM**

The ornamental design for a simulative toy fortress, substantially as shown and described.

DESCRIPTION

FIG. 1 is a front elevational view of a simulative toy fortress showing our new design;
FIG. 2 is a right side elevational view thereof;
FIG. 3 is a bottom plan view thereof;
FIG. 4 is a rear elevational view thereof;
FIG. 5 is a left side elevational view thereof with the wheeled member shown in a distended position;
FIG. 6 is a rear elevational view of the wheeled member;
FIG. 7 is a top plan view thereof;
FIG. 8 is a top plan view of the base member; and,
FIG. 9 is a front elevational view thereof.



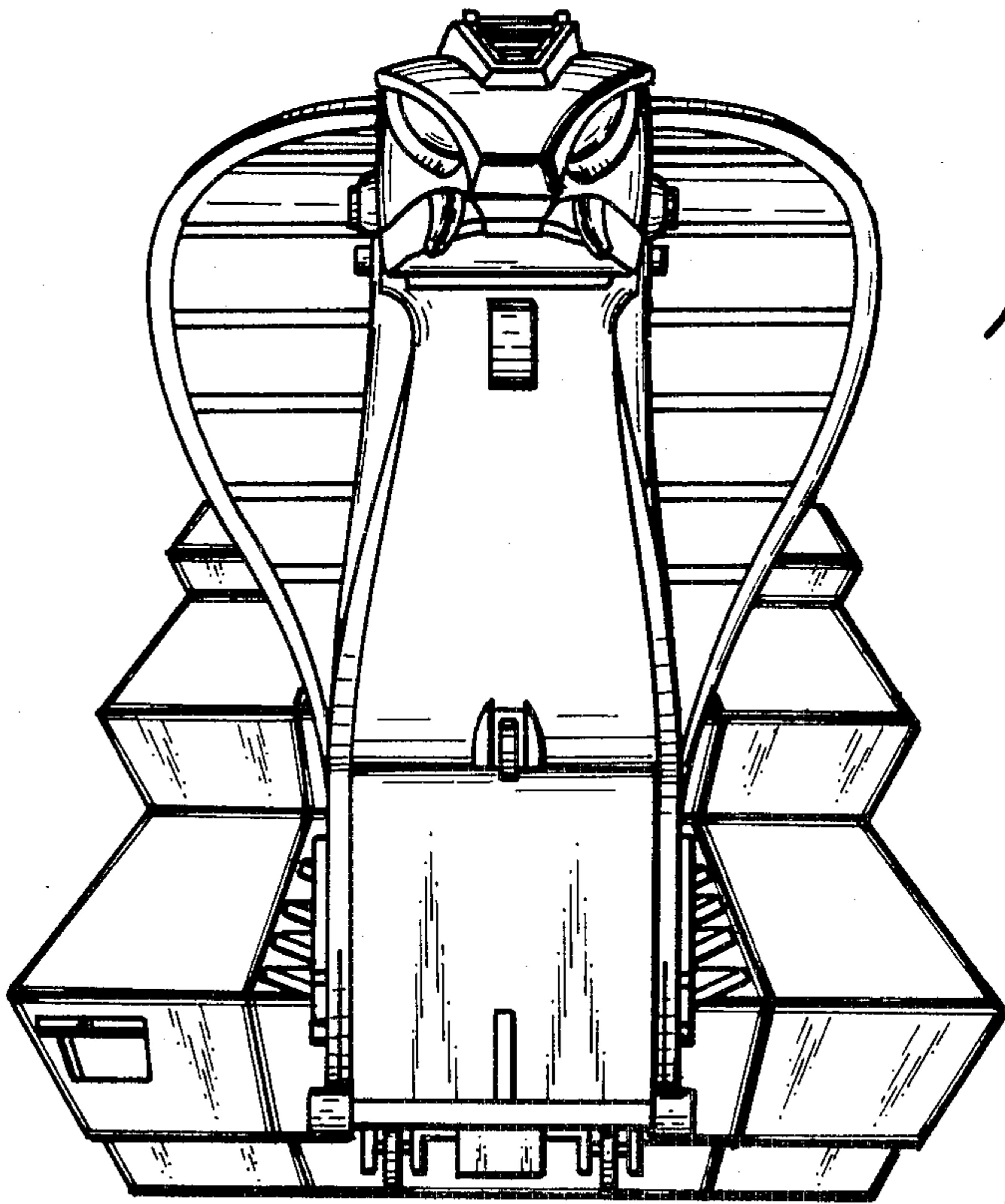


Fig. 1

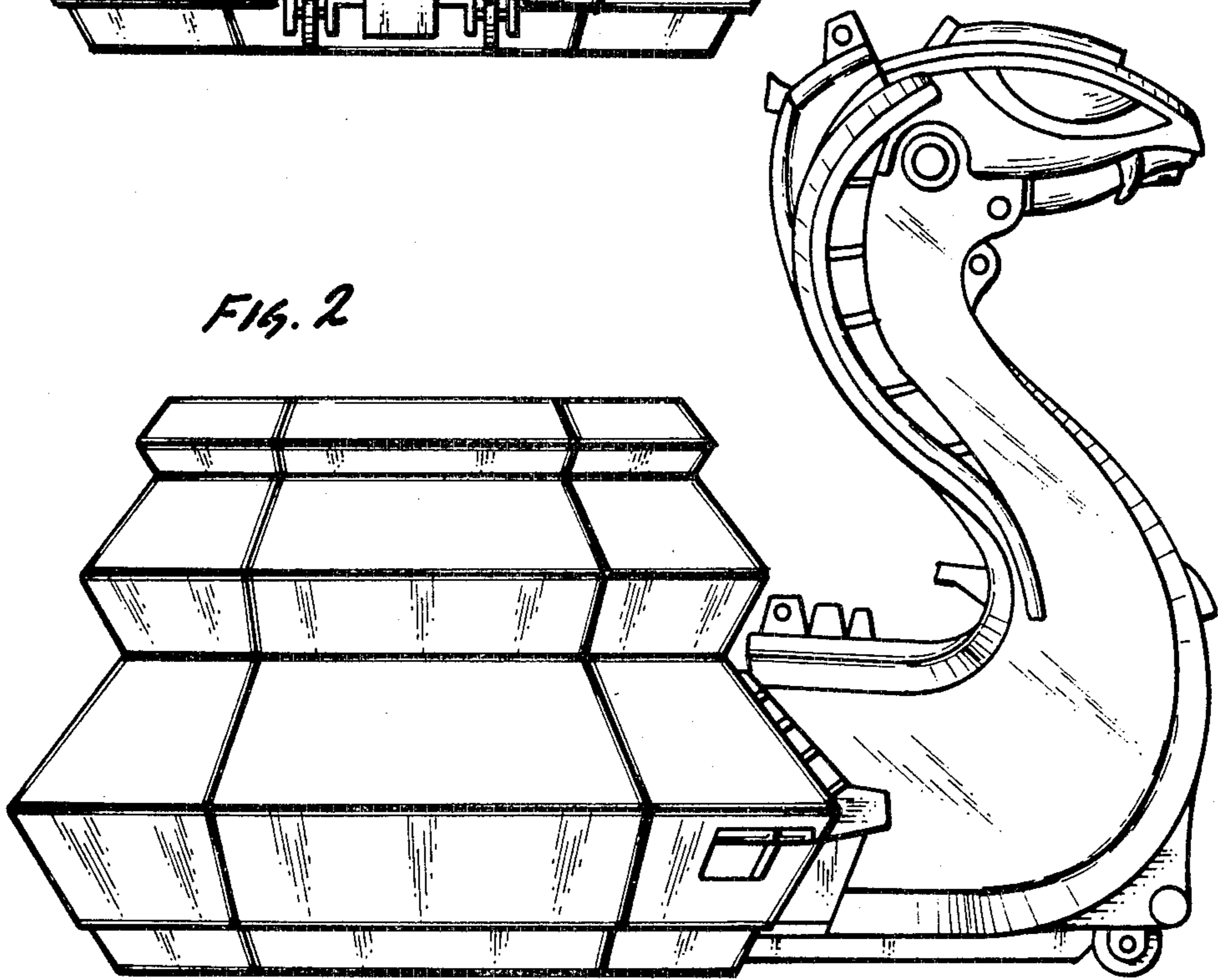


Fig. 2

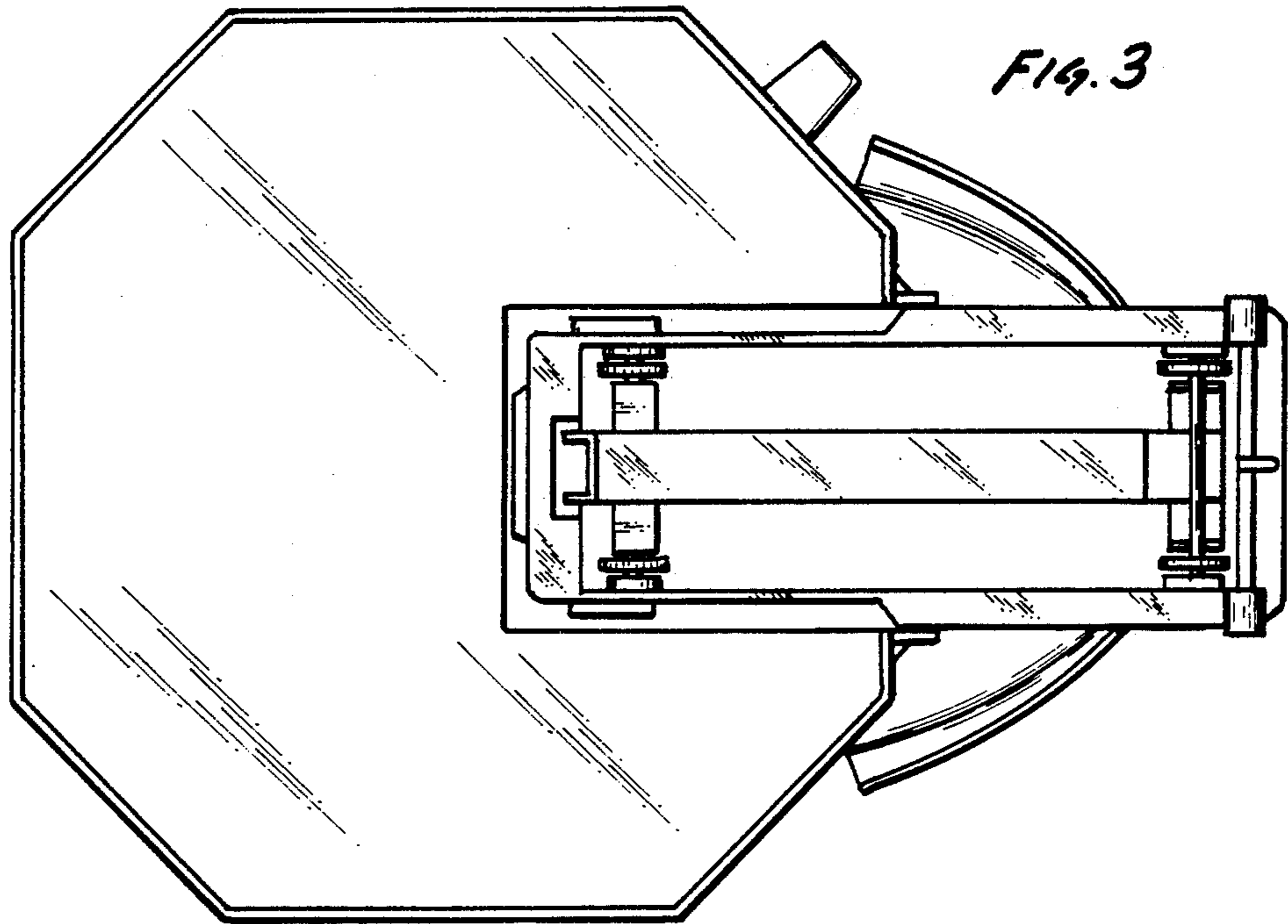


FIG. 4

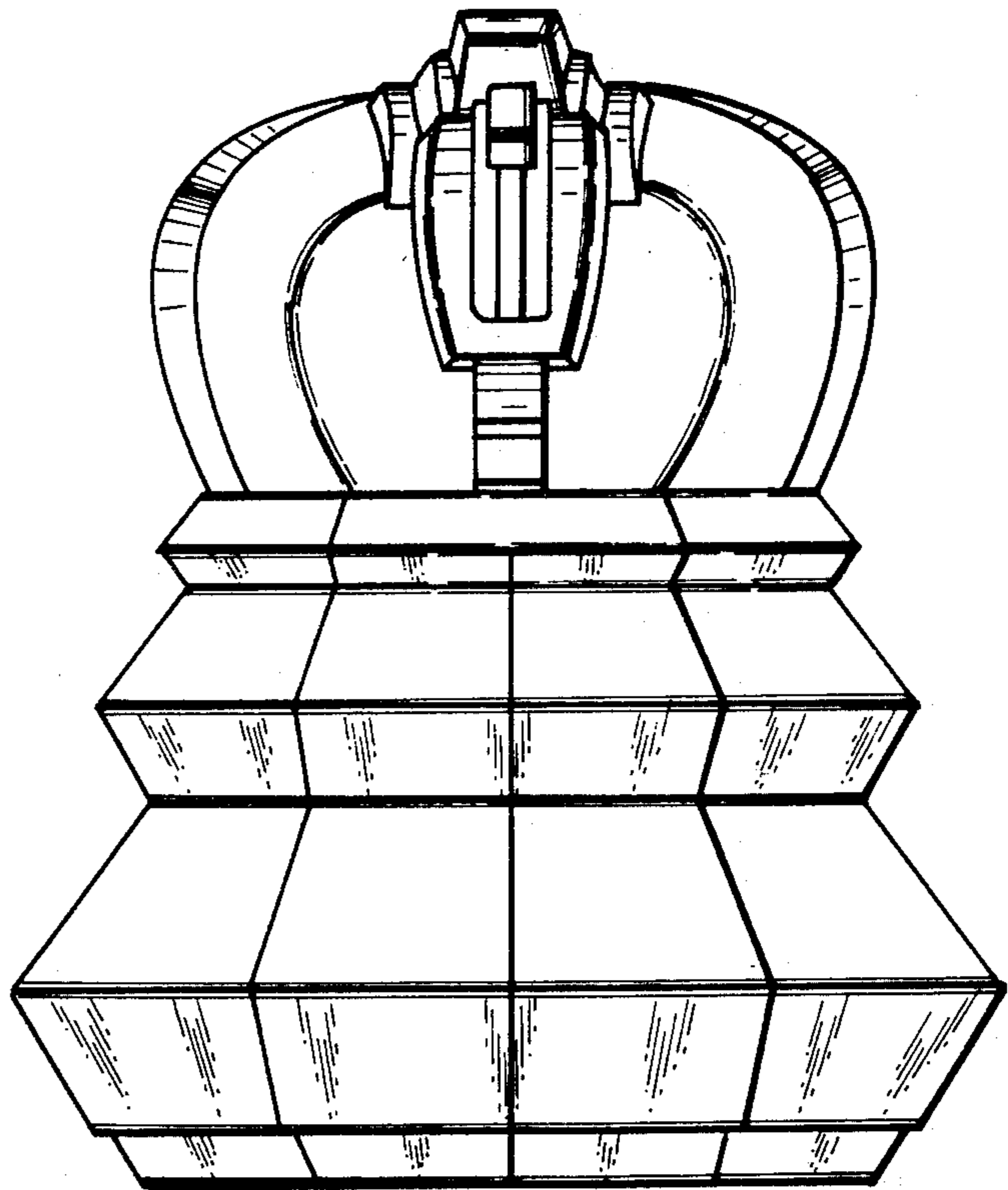
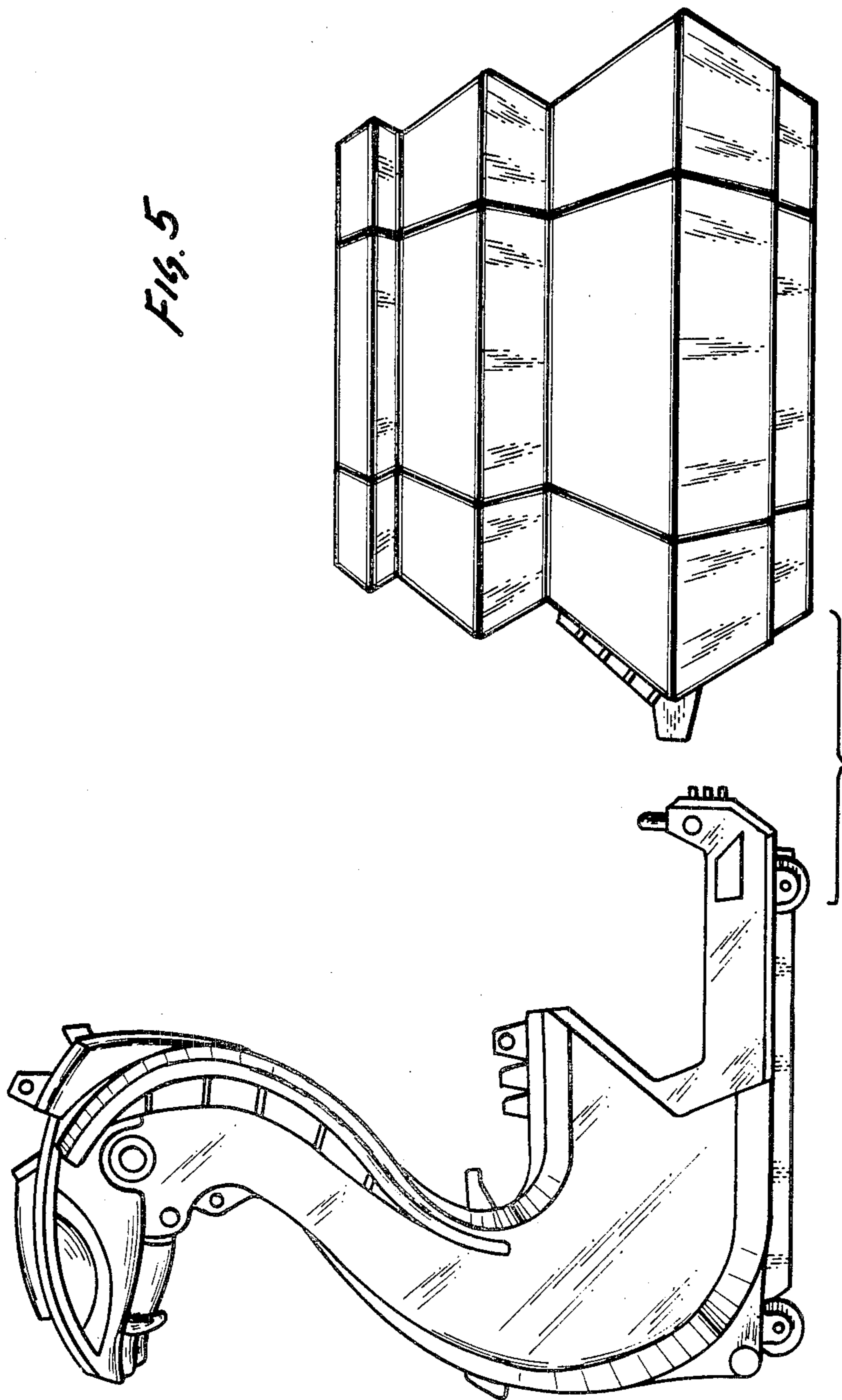


FIG. 5



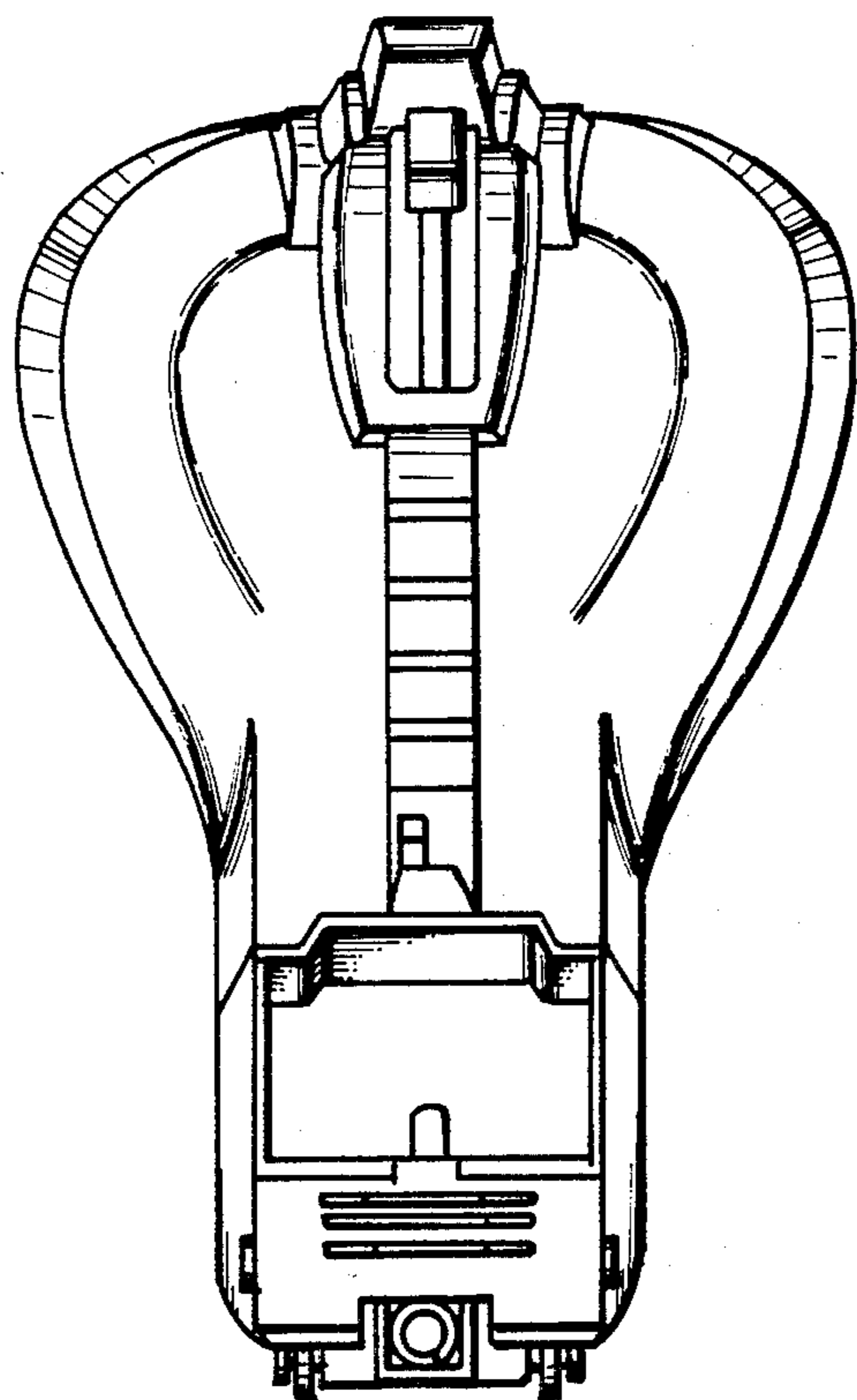


Fig. 6

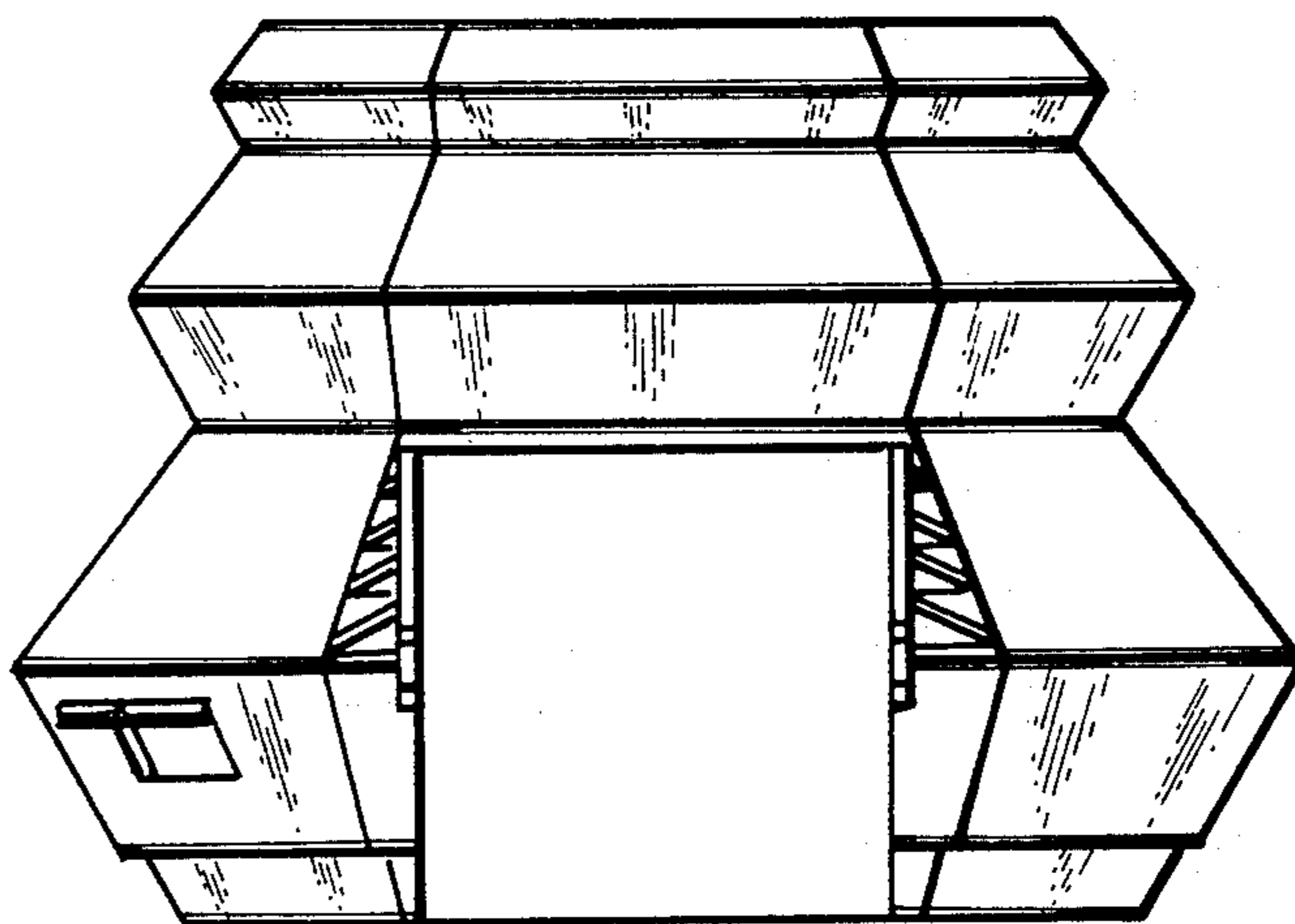


Fig. 9

FIG. 8

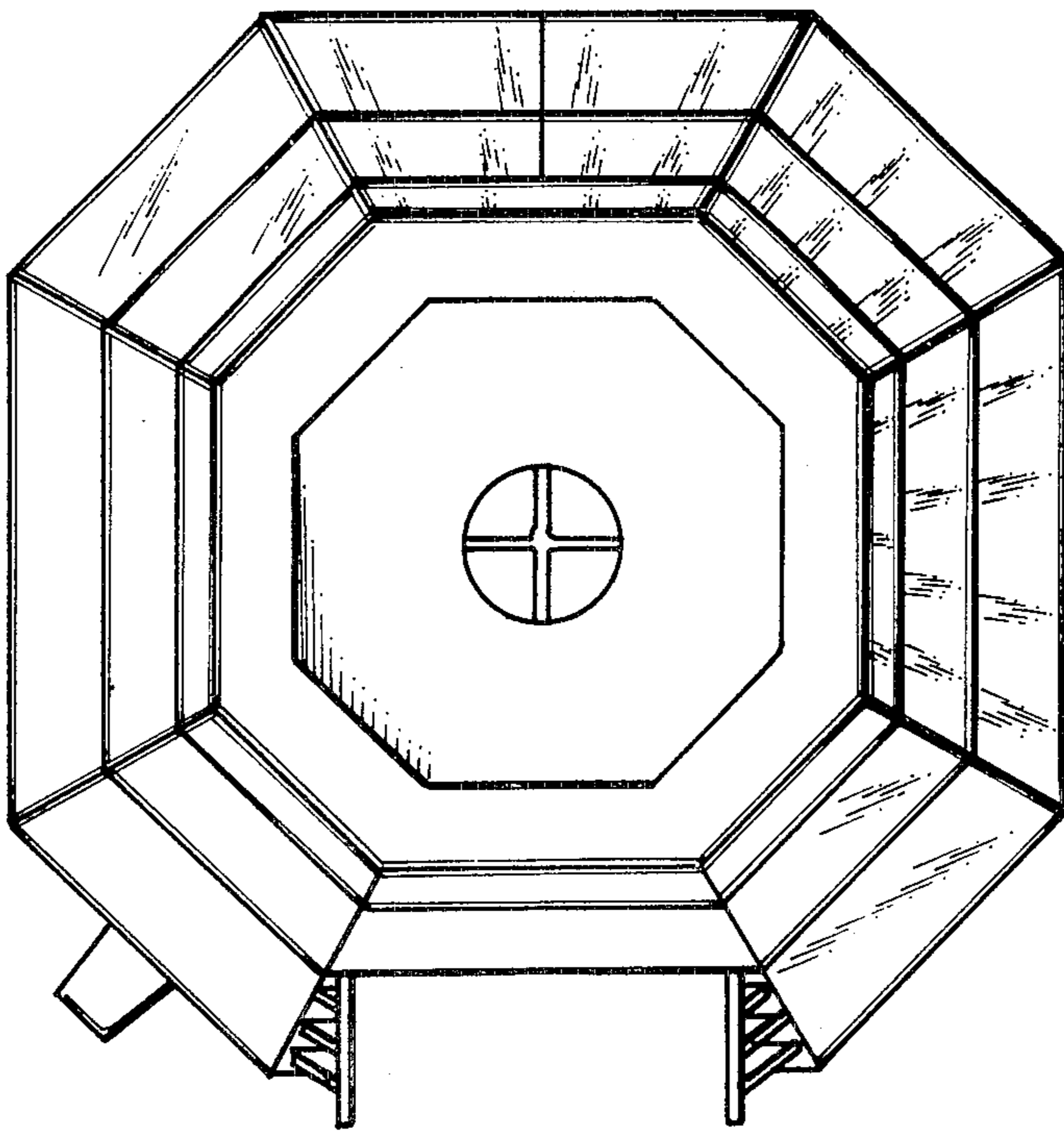


FIG. 7

