

[54] PHYSICAL EXERCISER

[76] Inventors: William F. Irvine; George Monize, both of 1450 South Service Road, Oakville, Ontario, Canada, L6L 5T7

[**] Term: 14 Years

[21] Appl. No.: 636,285

[22] Filed: Jul. 31, 1984

[30] Foreign Application Priority Data

May 14, 1984 [CA] Canada 14-05-84-1
[52] U.S. Cl. D21/195
[58] Field of Search D21/191-199; 272/118, 134, 117, 144, 145, 143, 116, 72, 126, 132, DIG. 4

[56] References Cited

U.S. PATENT DOCUMENTS

D. 226,439 3/1973 Coker D21/195
D. 266,444 10/1982 Fry D21/195
D. 267,029 11/1982 Lambert et al. D21/195

OTHER PUBLICATIONS

Marcy Catalog, "Bodybar" 2000.

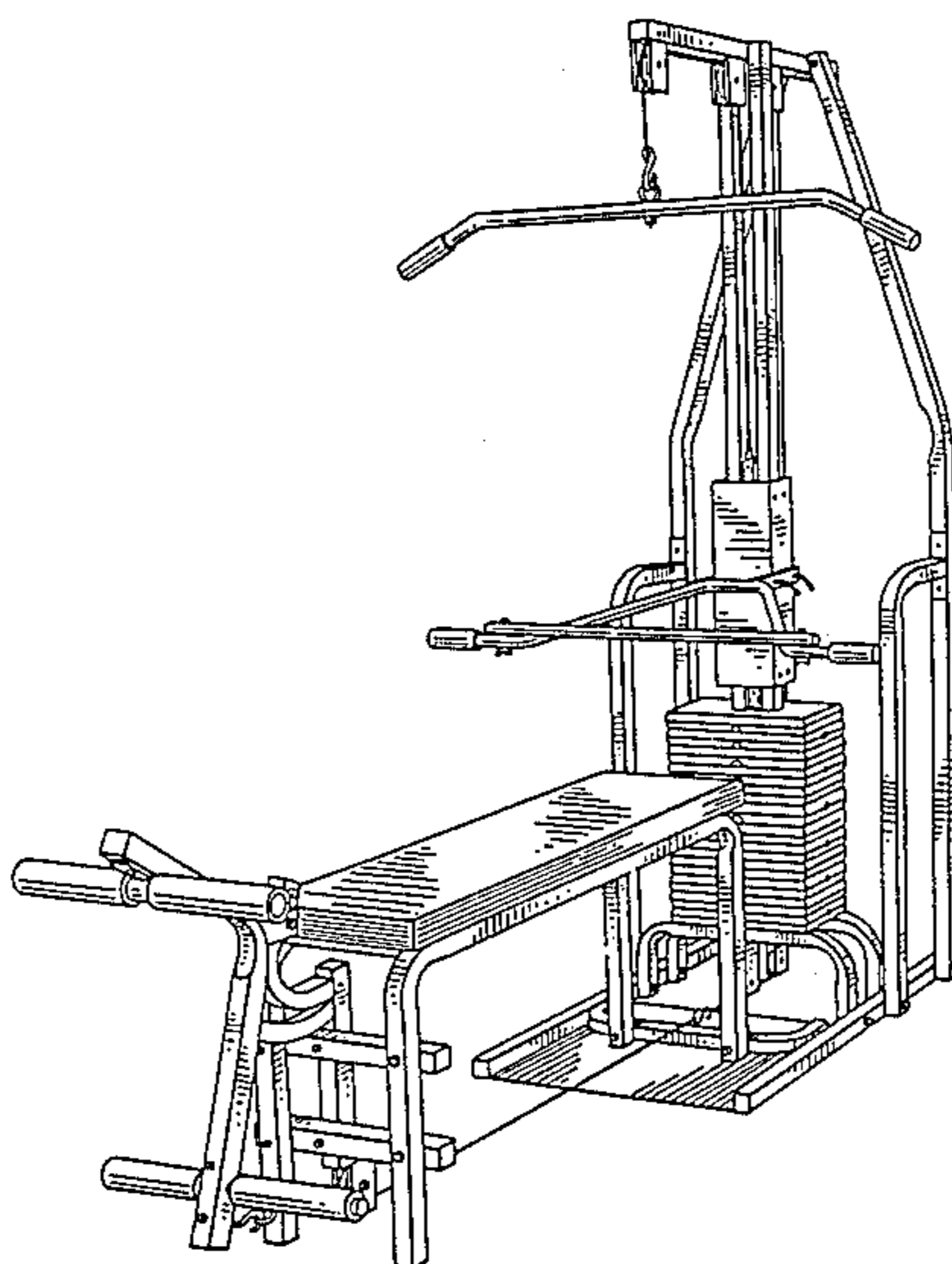
Primary Examiner—Charles A. Rademaker
Attorney, Agent, or Firm—Wegner & Bretschneider

[57] CLAIM

The ornamental design for a physical exerciser, as shown and described.

DESCRIPTION

FIG. 1 is a front perspective view of a physical exerciser showing my new design; and FIG. 2 is a rear perspective view thereof.



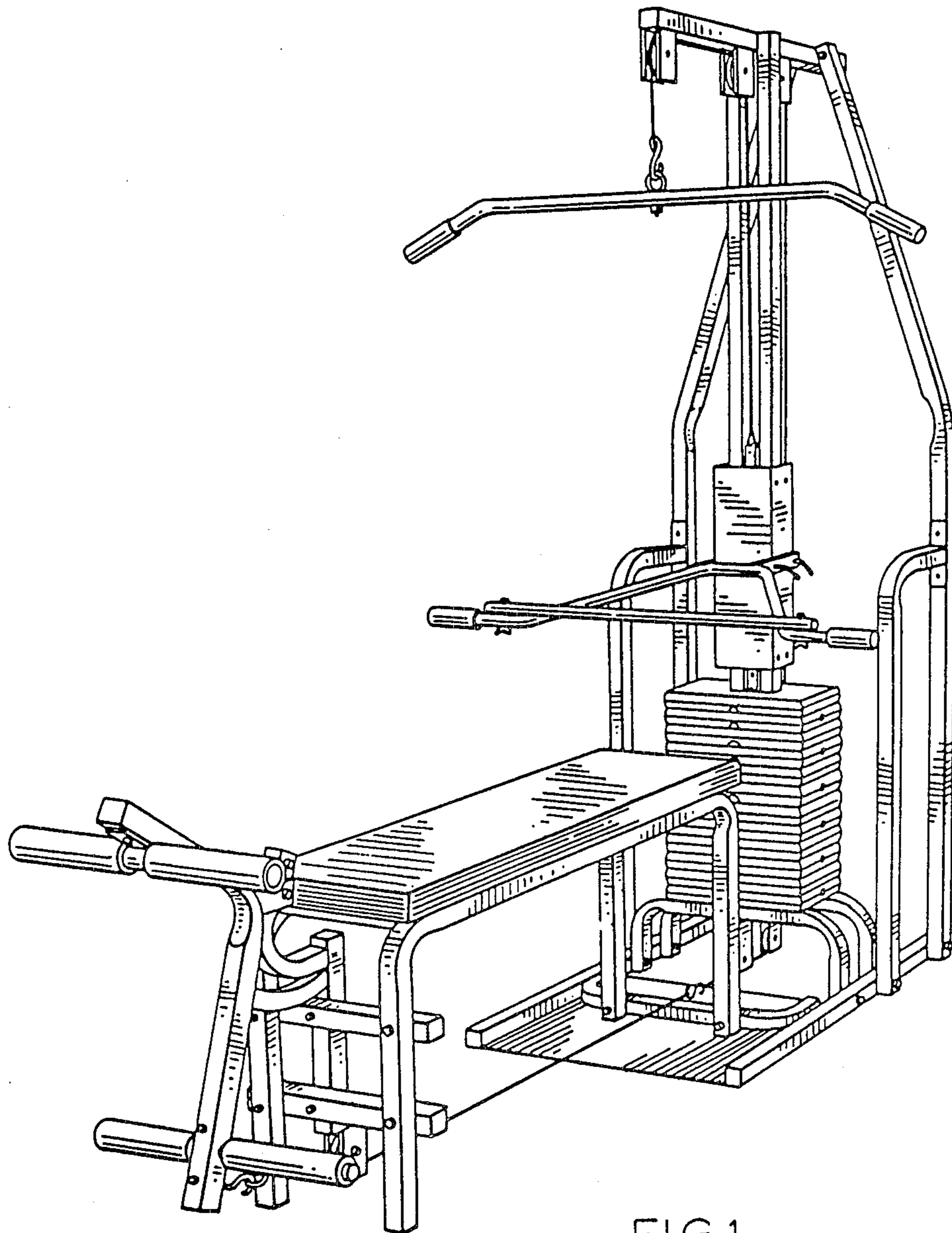


FIG.1

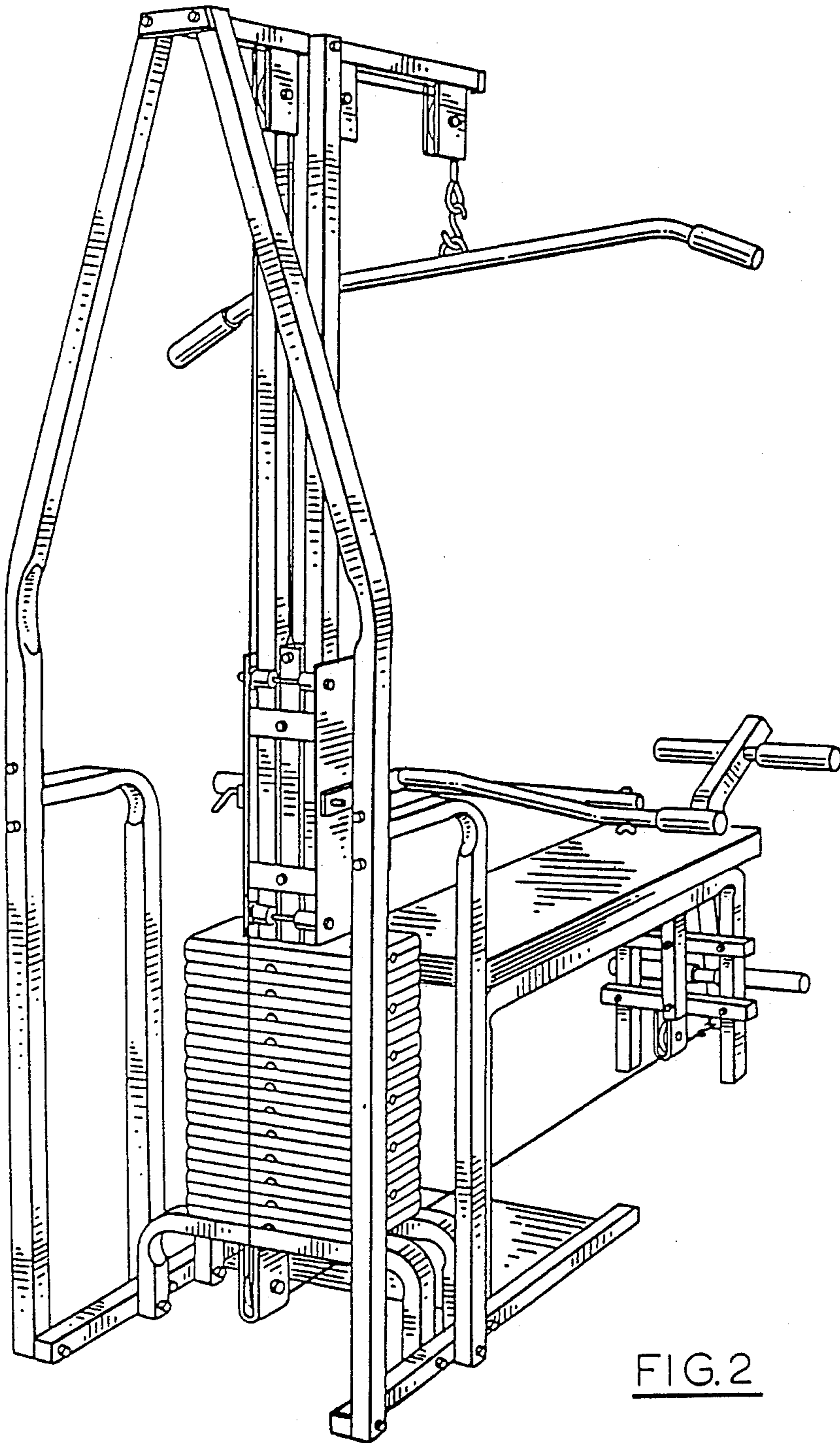


FIG. 2