

[54] **POMPON MAKER**

[76] Inventor: **Ethel Collins**, 16080 Thiesen Rd.,
Belgrade, Mont. 59714

[**] Term: **14 Years**

[21] Appl. No.: **612,370**

[22] Filed: **May 21, 1984**

[52] U.S. Cl. **D15/78**

[58] Field of Search D15/78, 77; 28/147,
28/150; 223/46; 211/59.1, 125; 248/309.2

[56] **References Cited**

U.S. PATENT DOCUMENTS

2,245,903	6/1941	Cone	223/46
2,413,955	1/1947	Cottrell	28/150
2,542,222	2/1951	Welch	223/46
2,763,080	9/1956	Welch	223/46 X
2,775,377	12/1956	Cook	223/46
2,799,956	7/1957	Cirolì	223/46

3,000,074	9/1961	Butkiewicz	28/147
3,429,019	2/1969	Linstead	28/147
4,280,642	7/1981	Mele	223/46
4,454,968	6/1984	St. Lawrence	223/46

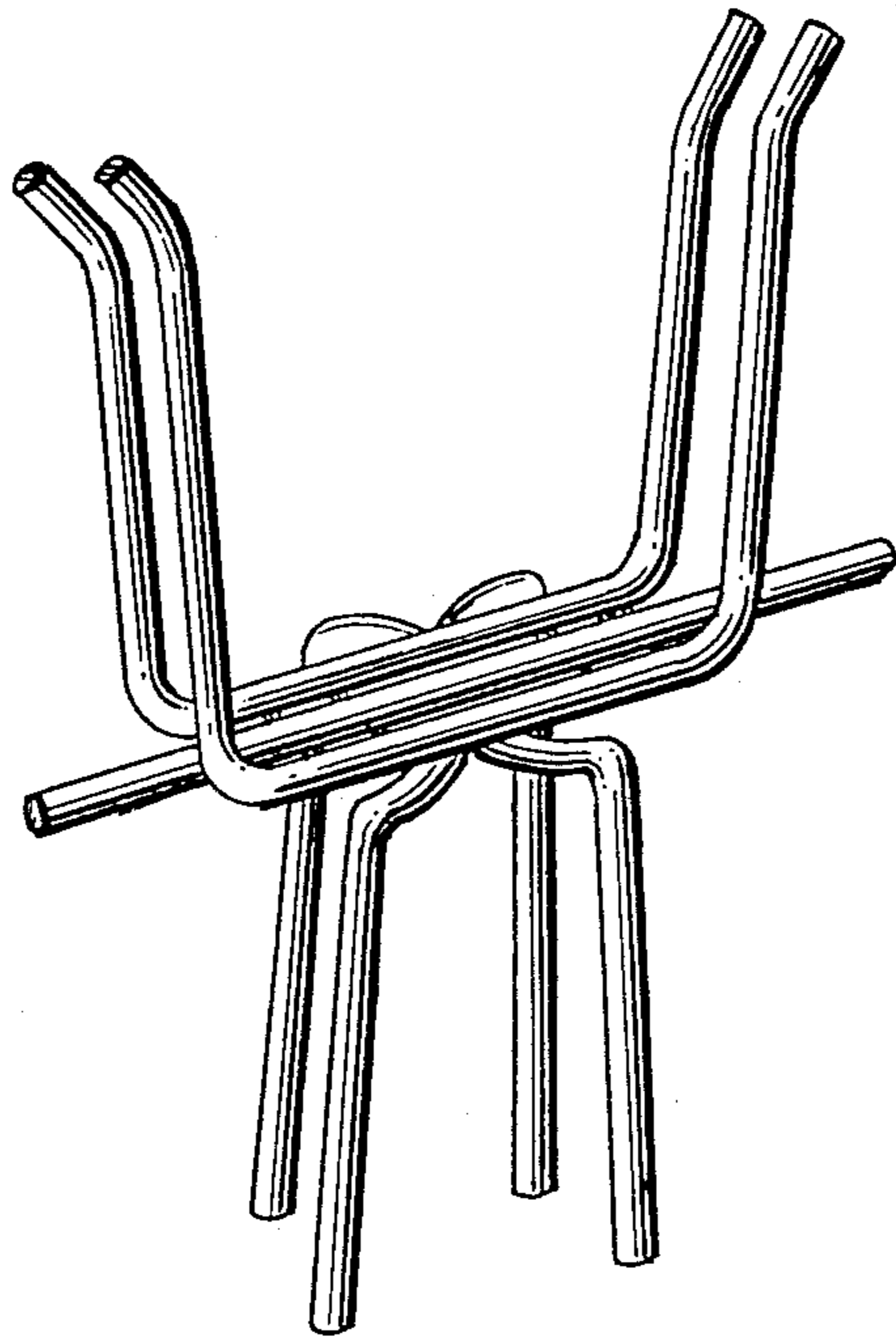
Primary Examiner—Charles A. Rademaker
Assistant Examiner—Linda Titolo
Attorney, Agent, or Firm—Richard C. Conover

[57] **CLAIM**

The ornamental design for a pompon maker, substantially as shown.

DESCRIPTION

FIG. 1 is a front elevational view of a pompon maker, showing my new design;
FIG. 2 is a top plan view thereof;
FIG. 3 is a bottom plan view thereof;
FIG. 4 is a side elevational view thereof; and
FIG. 5 is a top front and left side perspective view thereof.



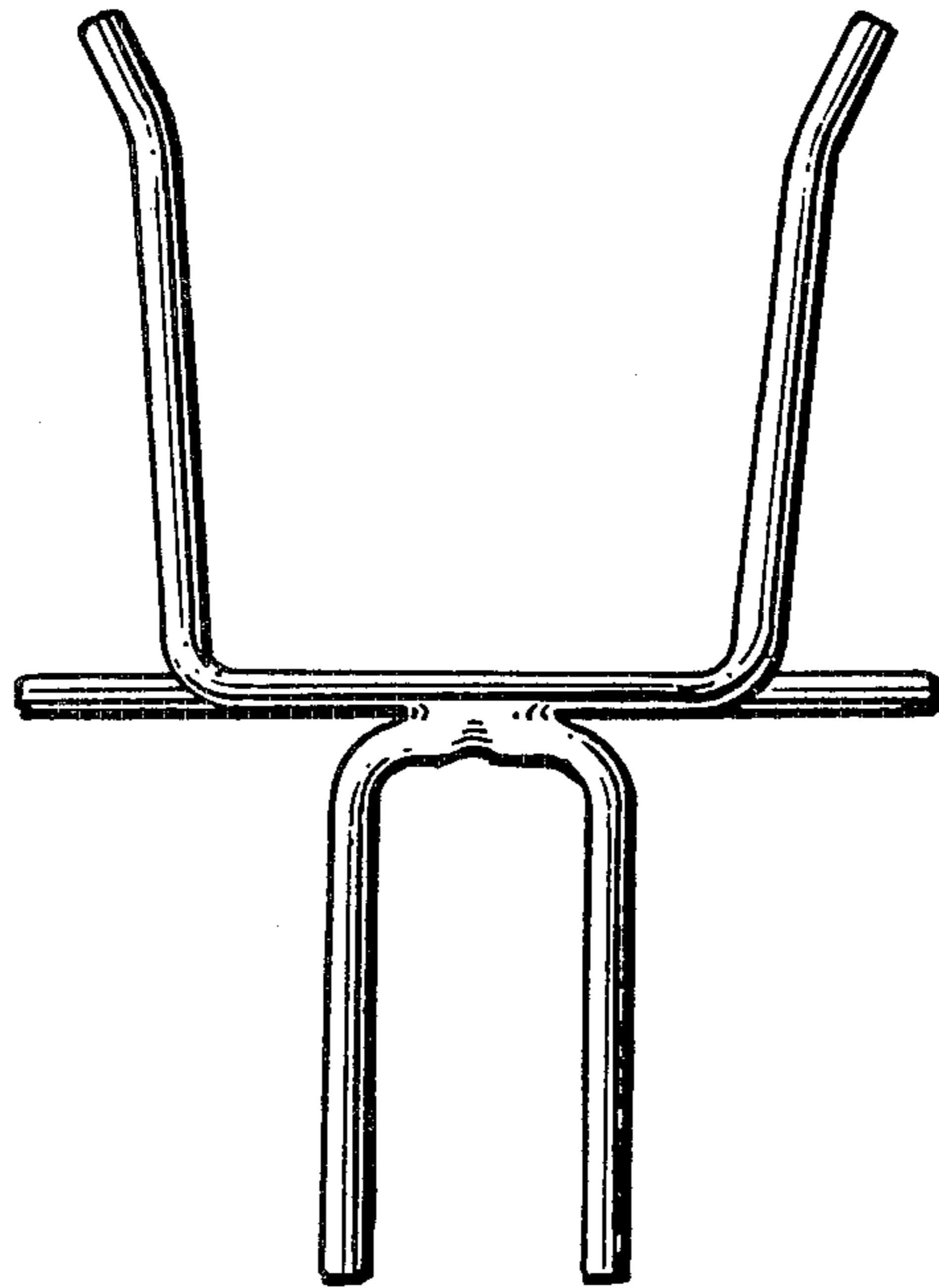


FIG. 1

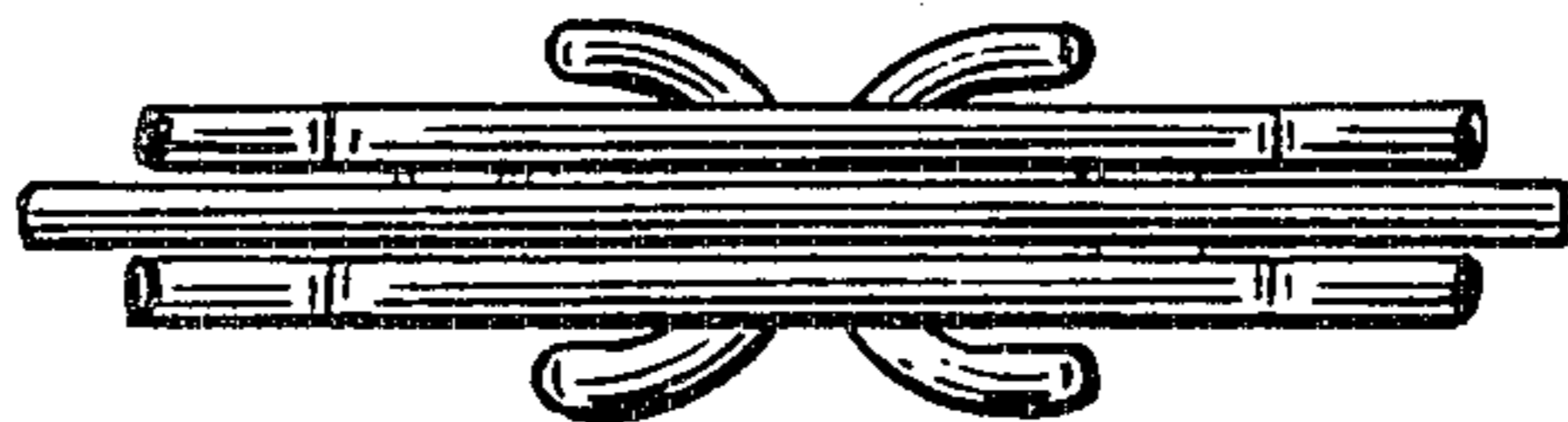


FIG. 2

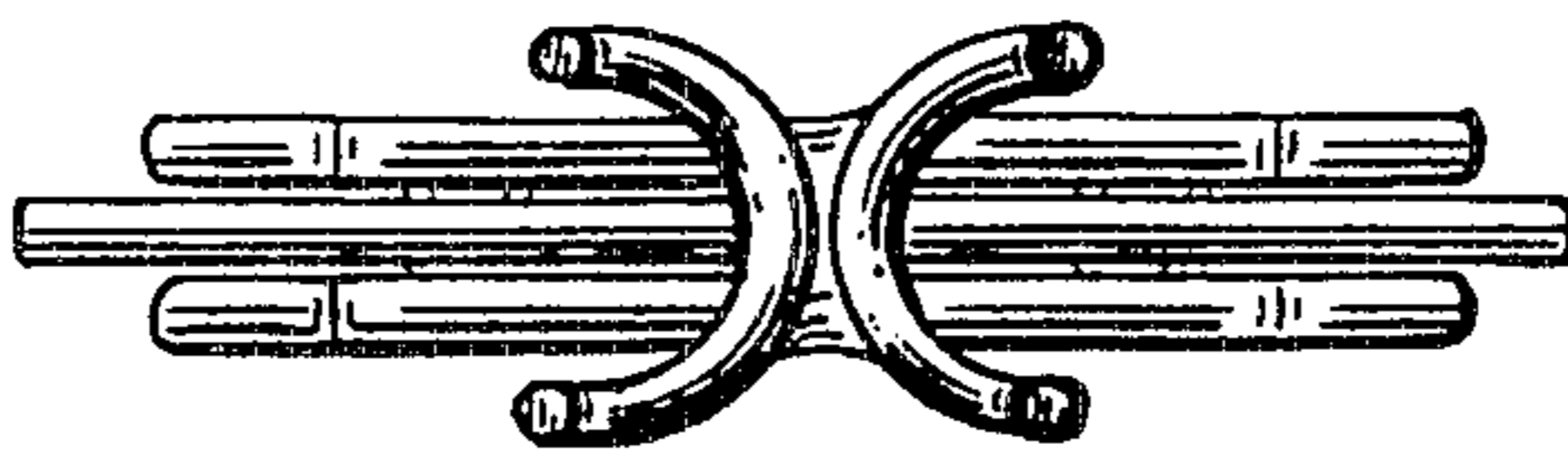


FIG. 3

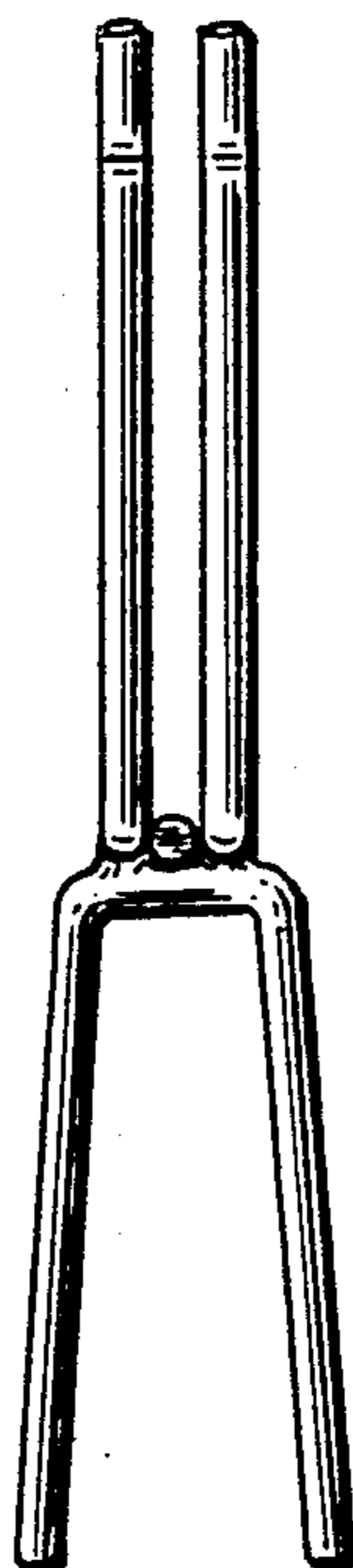


FIG. 4

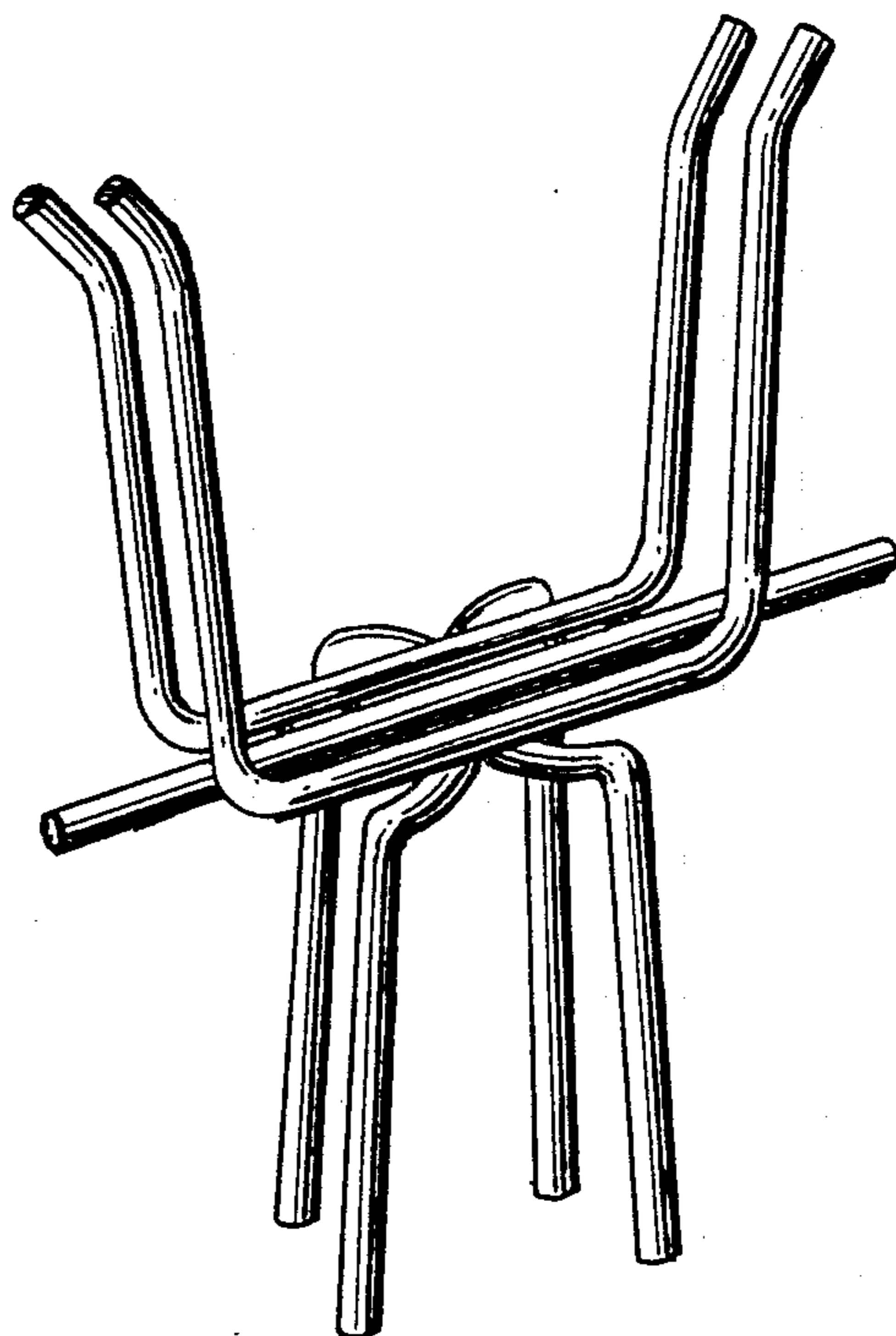


FIG. 5