

[54] WORD PROCESSOR SYSTEM WITH A CRT DISPLAY AND PRINTER

[75] Inventor: William G. Moggridge, Palo Alto, Calif.

[73] Assignee: Minolta Camera Kabushiki Kaisha, Osaka, Japan

[**] Term: 14 Years

[21] Appl. No.: 627,843

[22] Filed: Jul. 5, 1984

[52] U.S. Cl. D14/106

[58] Field of Search D14/100, 101, 106, 107, D14/111, 114, 113, 109; 340/700, 711; 358/254

[56] References Cited

U.S. PATENT DOCUMENTS

D. 256,796	9/1980	Plaza	D14/106
D. 277,383	1/1985	Boudreau et al.	D14/113
D. 280,198	8/1985	Dillon et al.	D14/100
D. 280,199	8/1985	Ryan	D14/113

OTHER PUBLICATIONS

Computer Design, 9-1982, p. 246, Hewlett-Packard Computer System.

Datamation, 6-1983, p. 163, Exxon Printer. Digital VT200 Family Catalog, ©1983, p. 9, VT240 System.

Fortune Systems Brochure, ©1982, front cover, Terminal.

Primary Examiner—Susan J. Lucas
Attorney, Agent, or Firm—Price, Gess & Ubell

[57] CLAIM

The ornamental design for a word processor system with a CRT display and printer, substantially as shown and described.

DESCRIPTION

FIG. 1 is a front, right side perspective view of the word processor system with a CRT display and printer showing my new design;

FIG. 2 is a front elevational view on a reduced scale;

FIG. 3 is a top plan view thereof on a reduced scale;

FIG. 4 is a right side elevational view thereof on a reduced scale;

FIG. 5 is a left side elevational view thereof on a reduced scale;

FIG. 6 is a bottom plan view thereof on a reduced scale;

FIG. 7 is a rear elevational view thereof on a reduced scale.

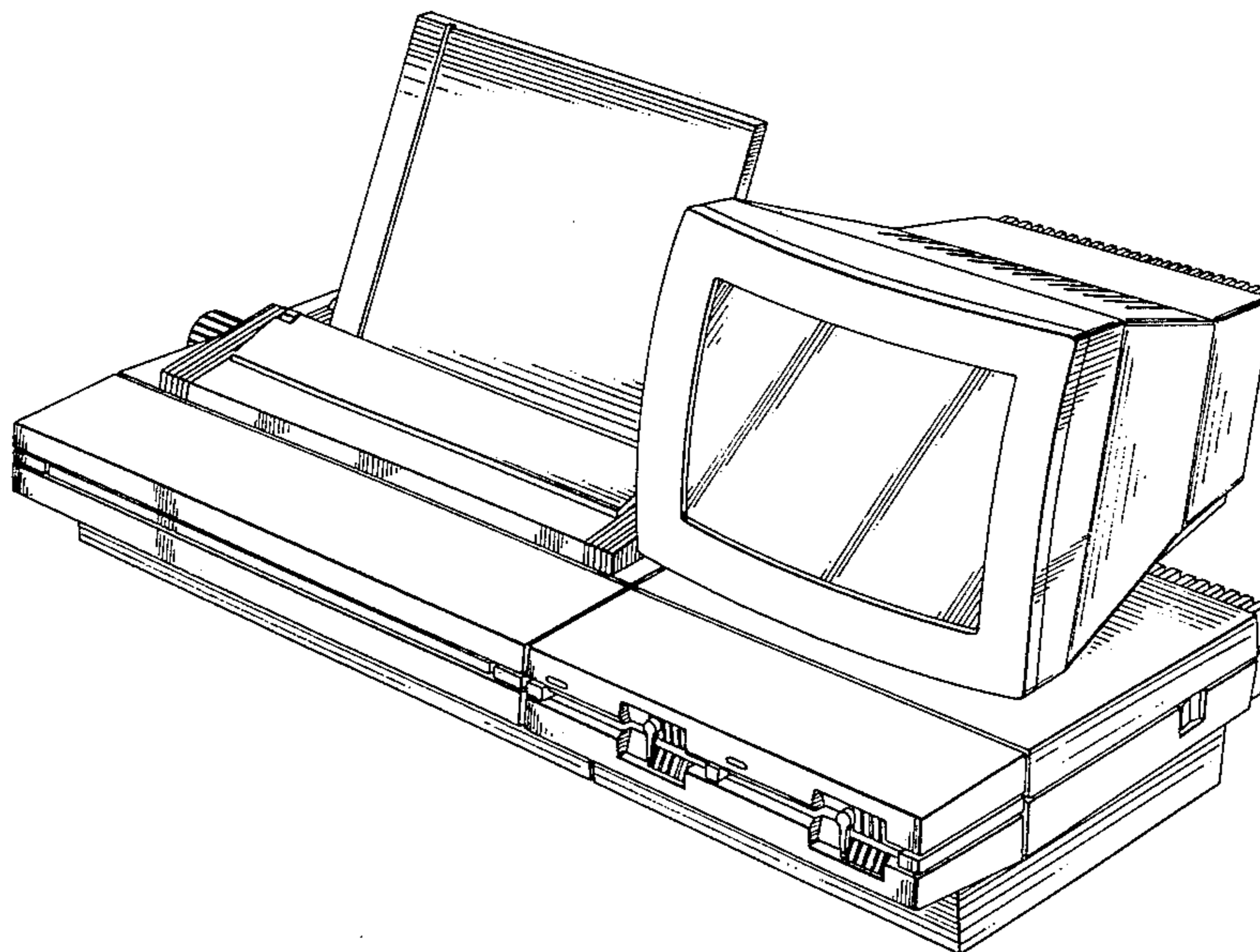
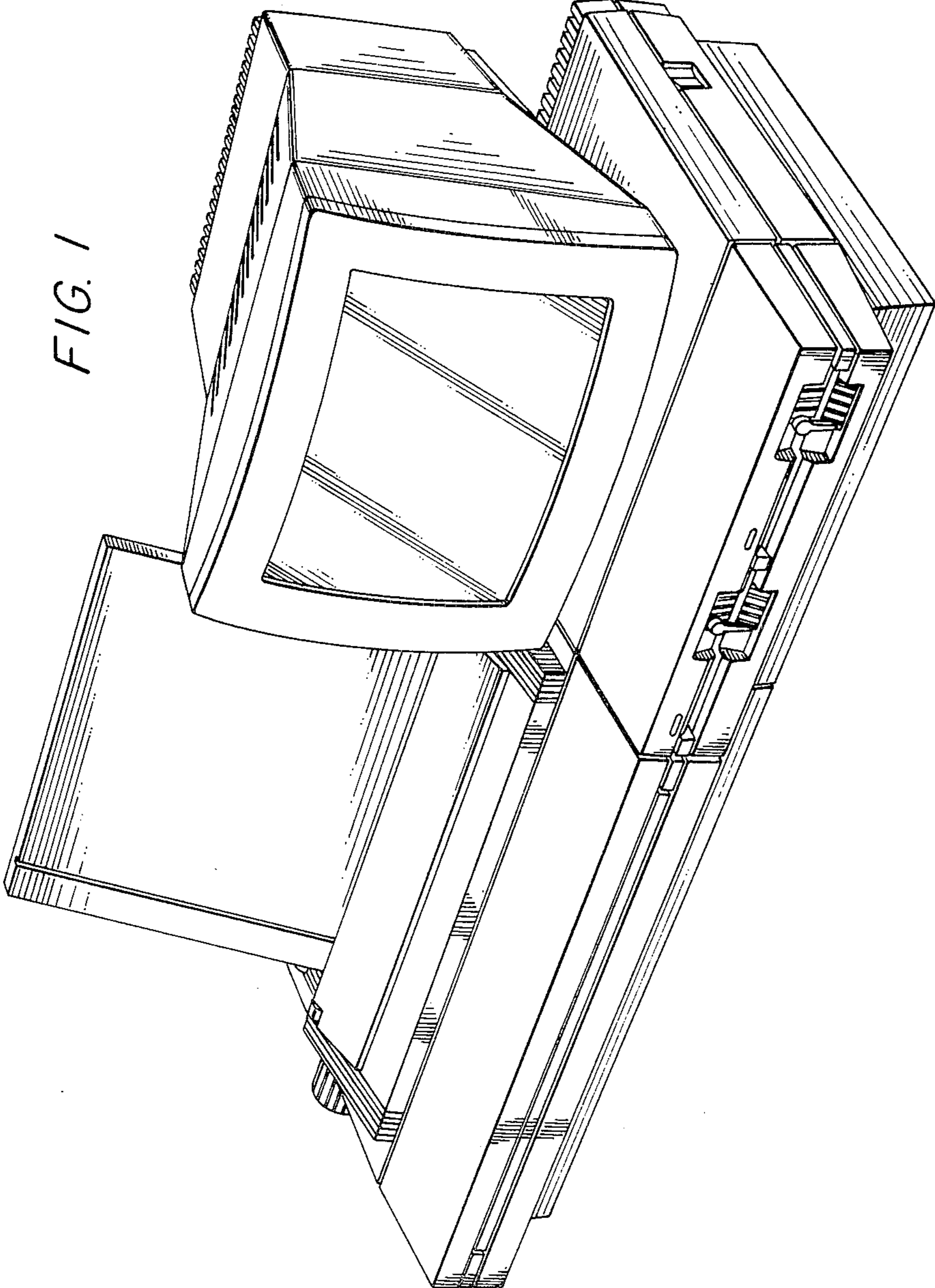


FIG. 1



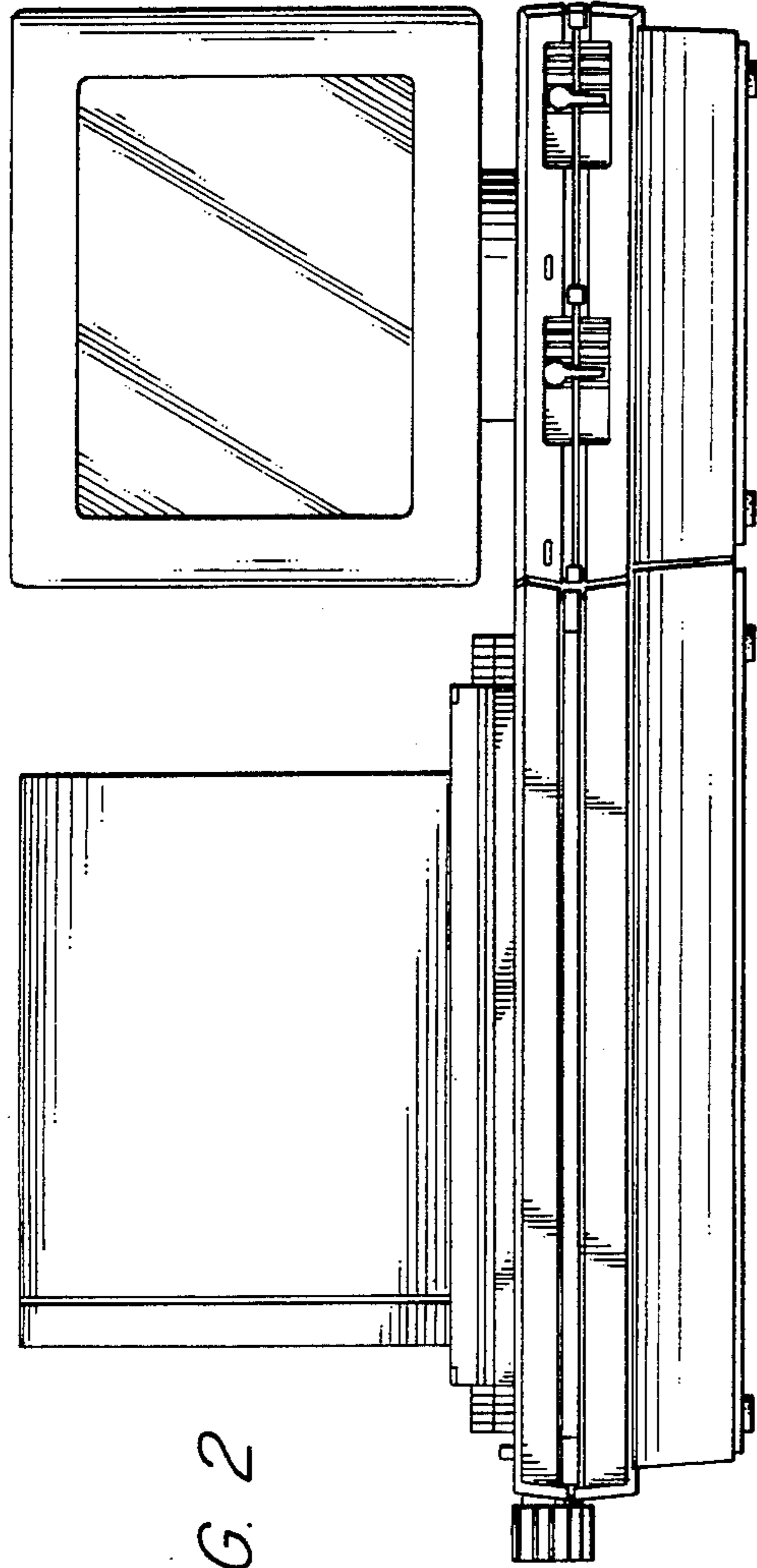


FIG. 2

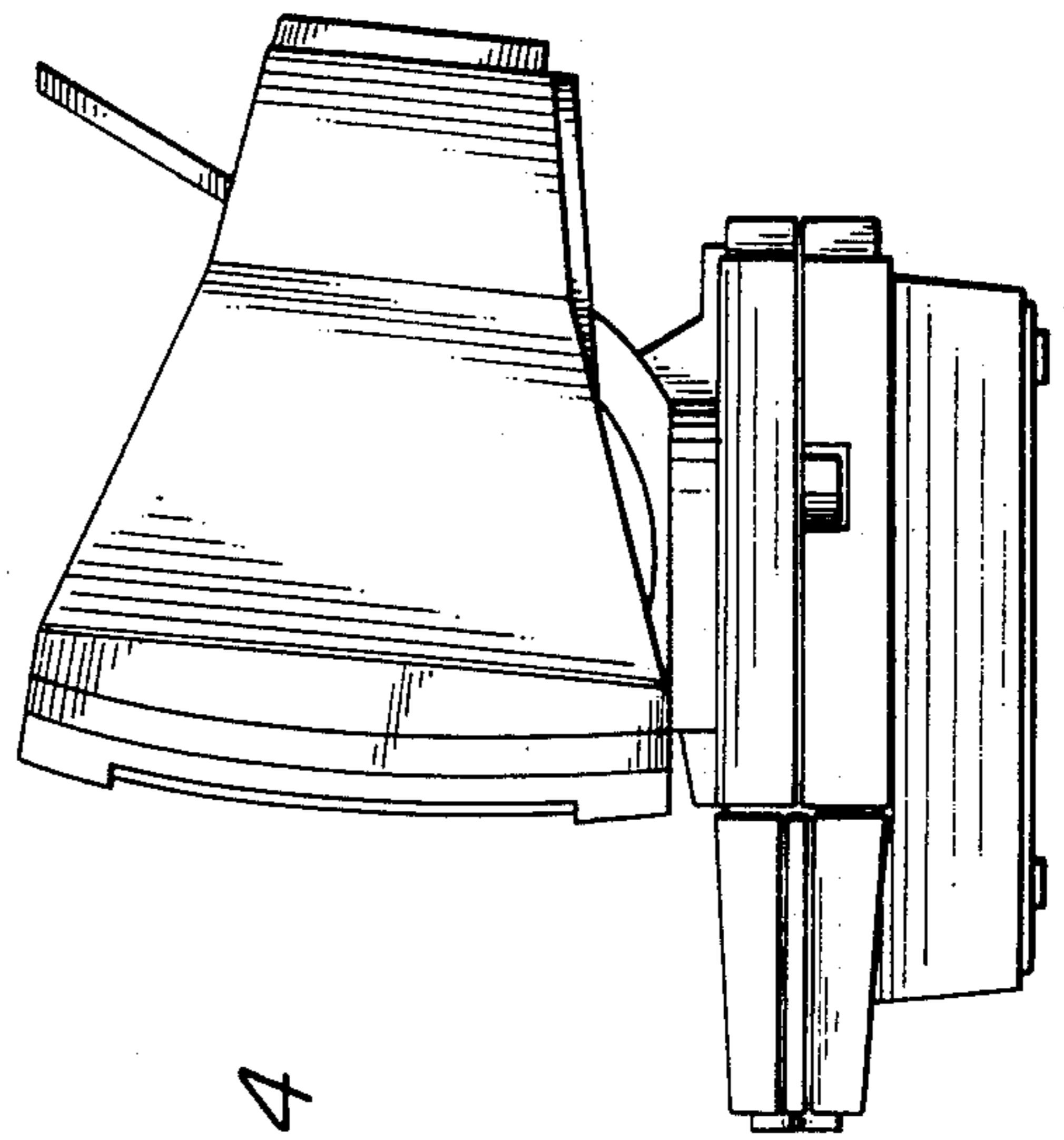


FIG. 4

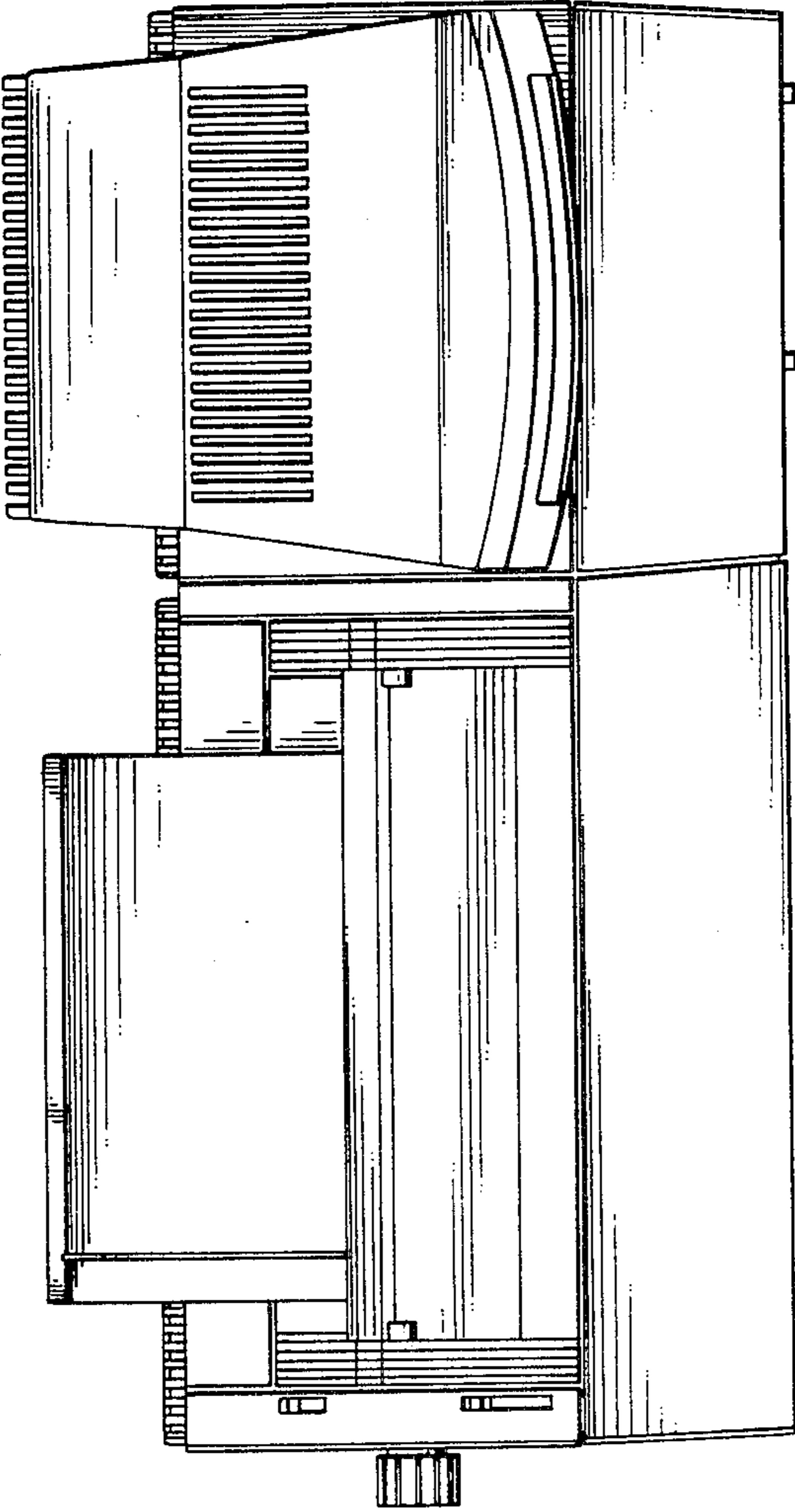


FIG. 3

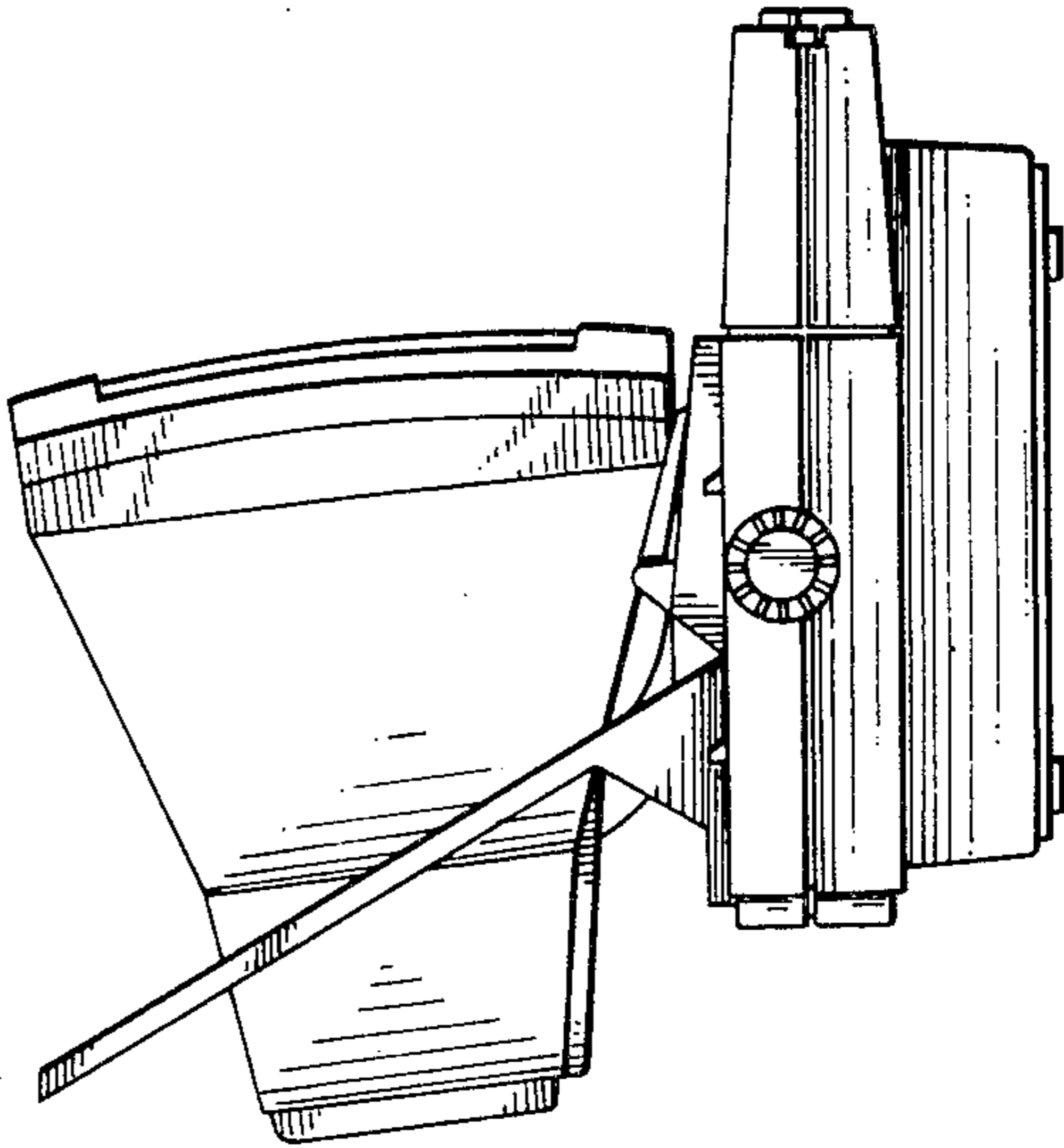


FIG. 5

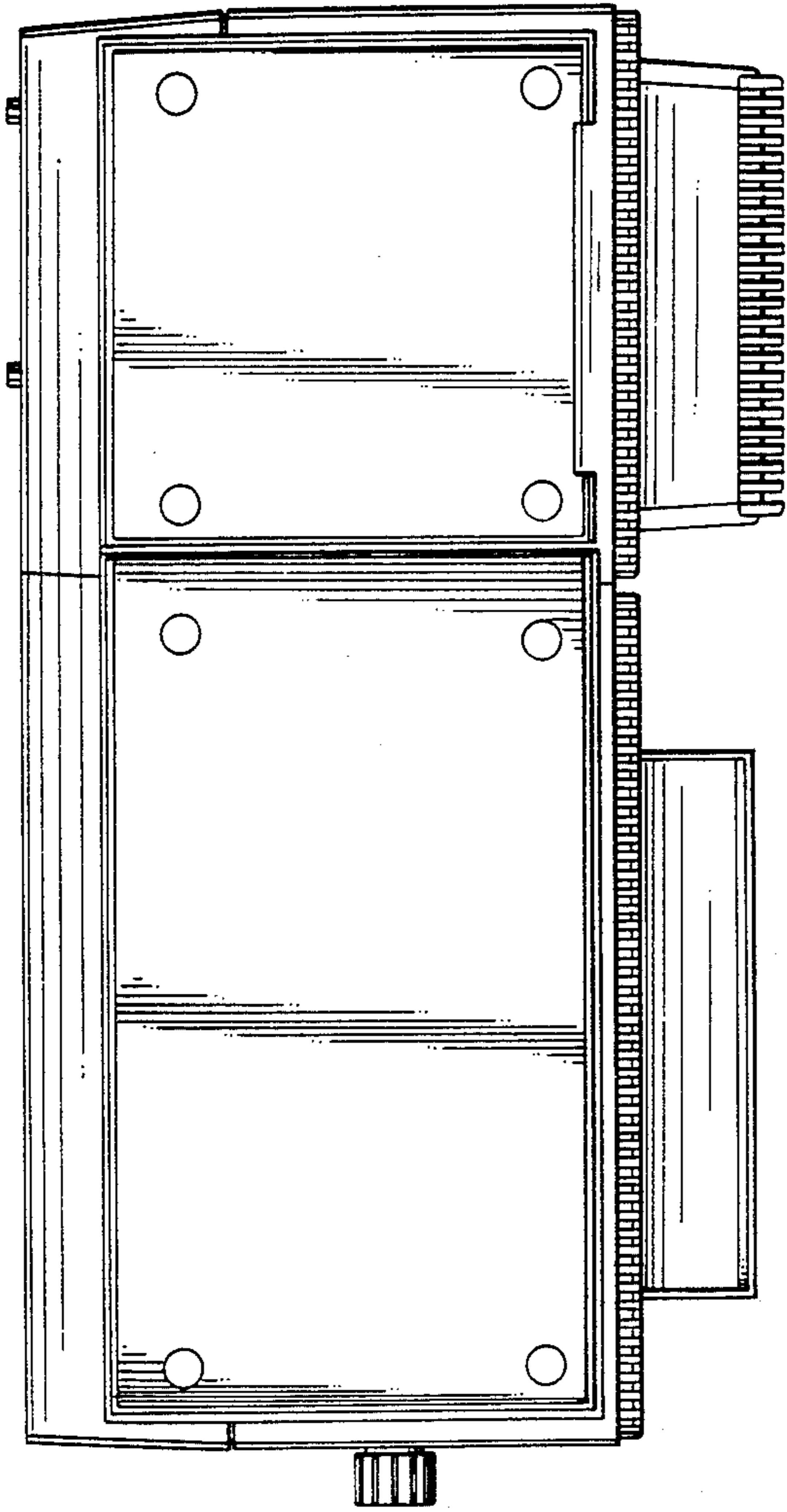


FIG. 6

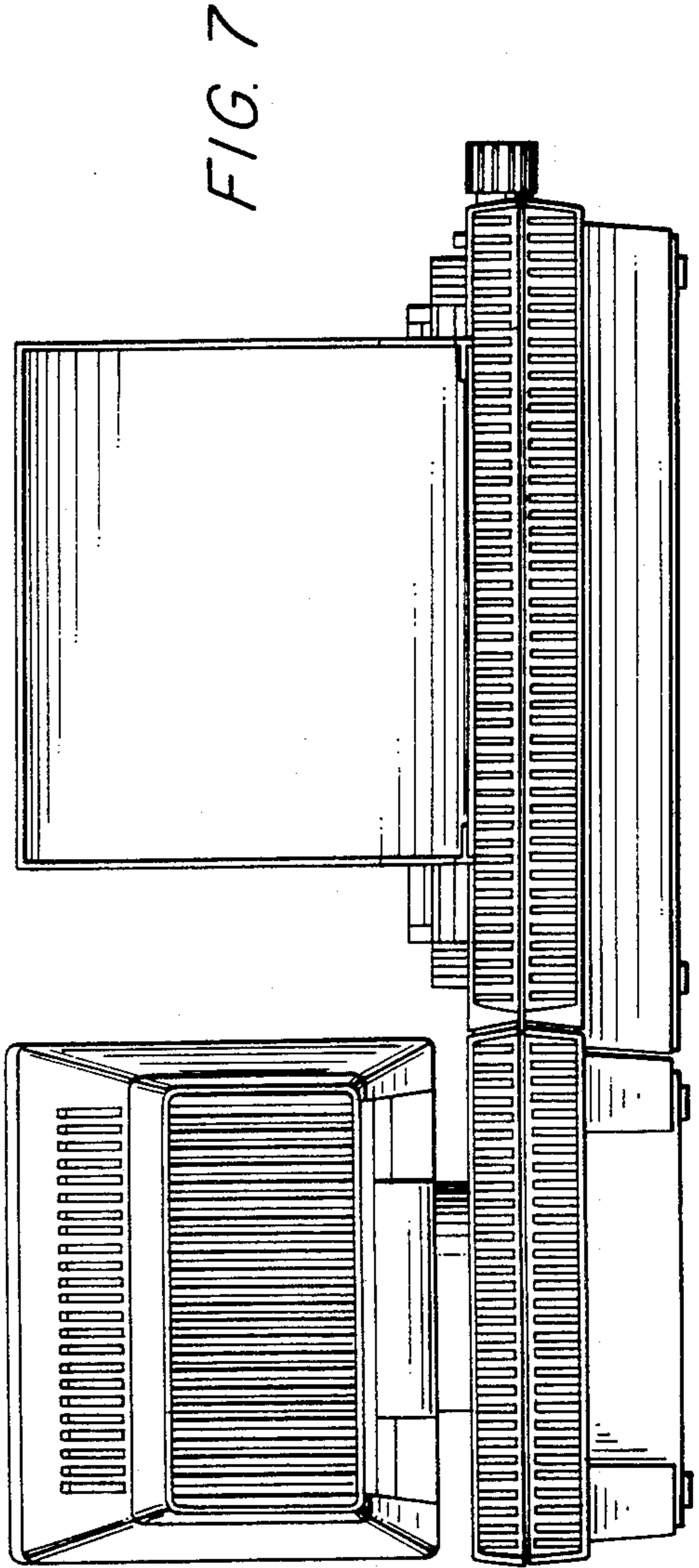


FIG. 7