

[54] TELEPHONE HANDSET

[75] Inventor: Michael Brown, Nepean, Canada

[73] Assignee: Northern Telecom Limited, Montreal, Canada

[**] Term: 14 Years

[21] Appl. No.: 697,537

[22] Filed: Feb. 1, 1985

[52] U.S. Cl. D14/63; D14/64

[58] Field of Search D14/52, 53, 64, 63; 179/179, 102, 103, 100 R, 101, 100 D, 100 C, 178

D. 266,561 10/1982 Bee et al. D14/63
D. 270,835 10/1983 Taylor D14/64
D. 271,393 11/1983 Carr D14/63

OTHER PUBLICATIONS

Elektronikk (Norway) vol. 74, No. 4 (1978): at p. 312: Moddler Phone in FIG. 8, second from top.

Primary Examiner—Wallace R. Burke
Assistant Examiner—Horace B. Fay

[57] CLAIM

The ornamental design for a telephone handset, substantially as shown and described.

DESCRIPTION

FIG. 1 is a partial front, bottom and right side perspective view of a telephone handset showing my new design;

FIG. 2 is a bottom plan view thereof;

FIG. 3 is a right side elevational view thereof, the side opposite being a mirror image;

FIG. 4 is a top plan view thereof;

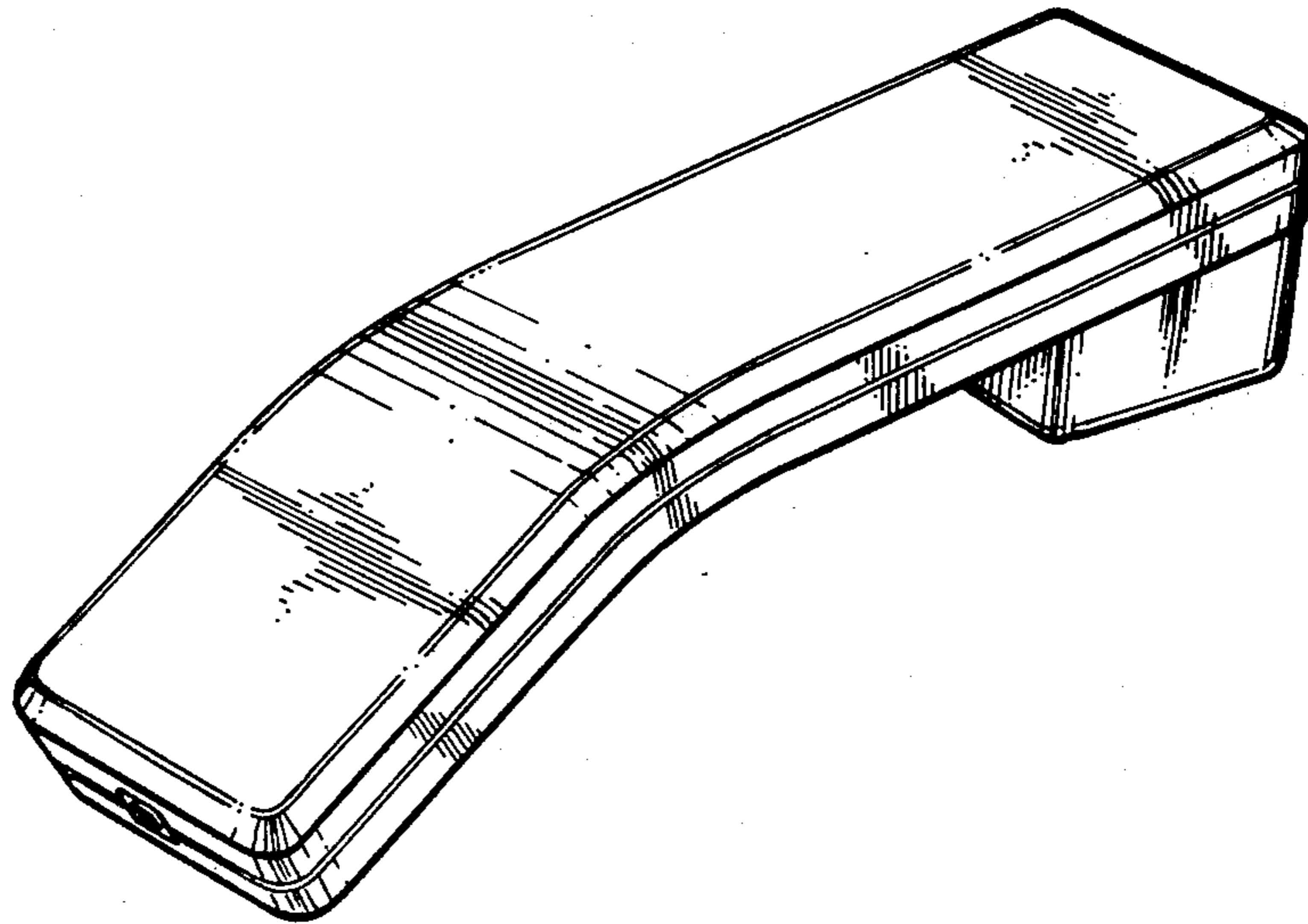
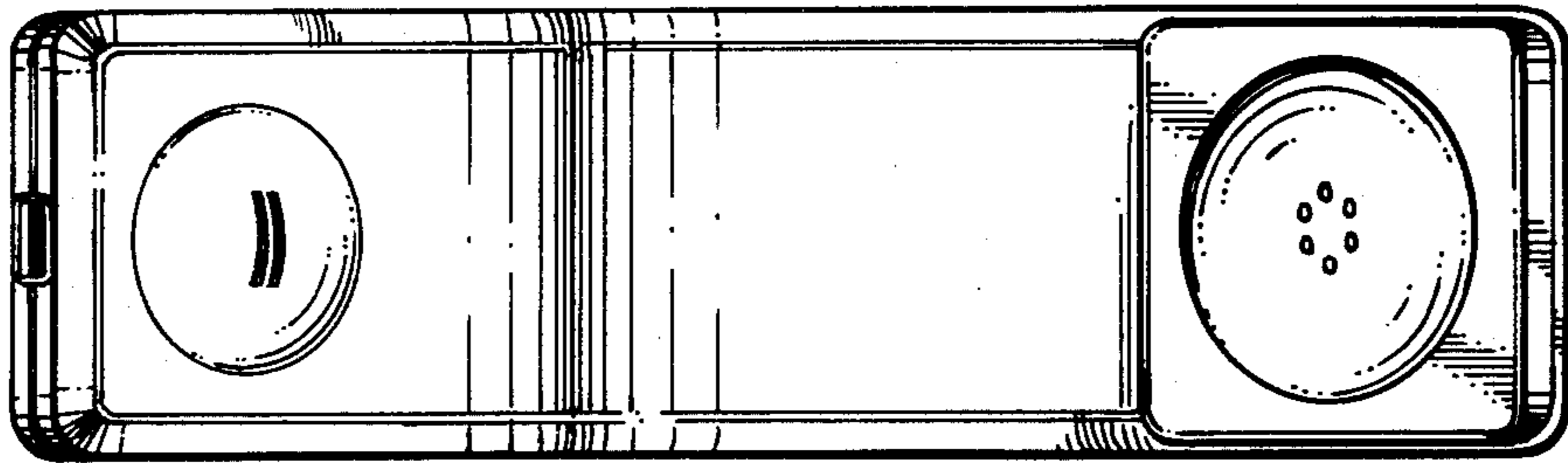
FIG. 5 is a front elevational view thereof; and

FIG. 6 is a rear elevational view thereof.

[56] References Cited

U.S. PATENT DOCUMENTS

D. 209,910 1/1968 Tyson D14/63
D. 212,423 10/1968 Tyson D14/64
D. 255,681 7/1980 Read et al. D14/64
D. 260,991 9/1981 Bandini-Buti et al. D14/53
D. 263,045 2/1982 Janda et al. D14/53
D. 263,049 2/1982 Cobb D14/53



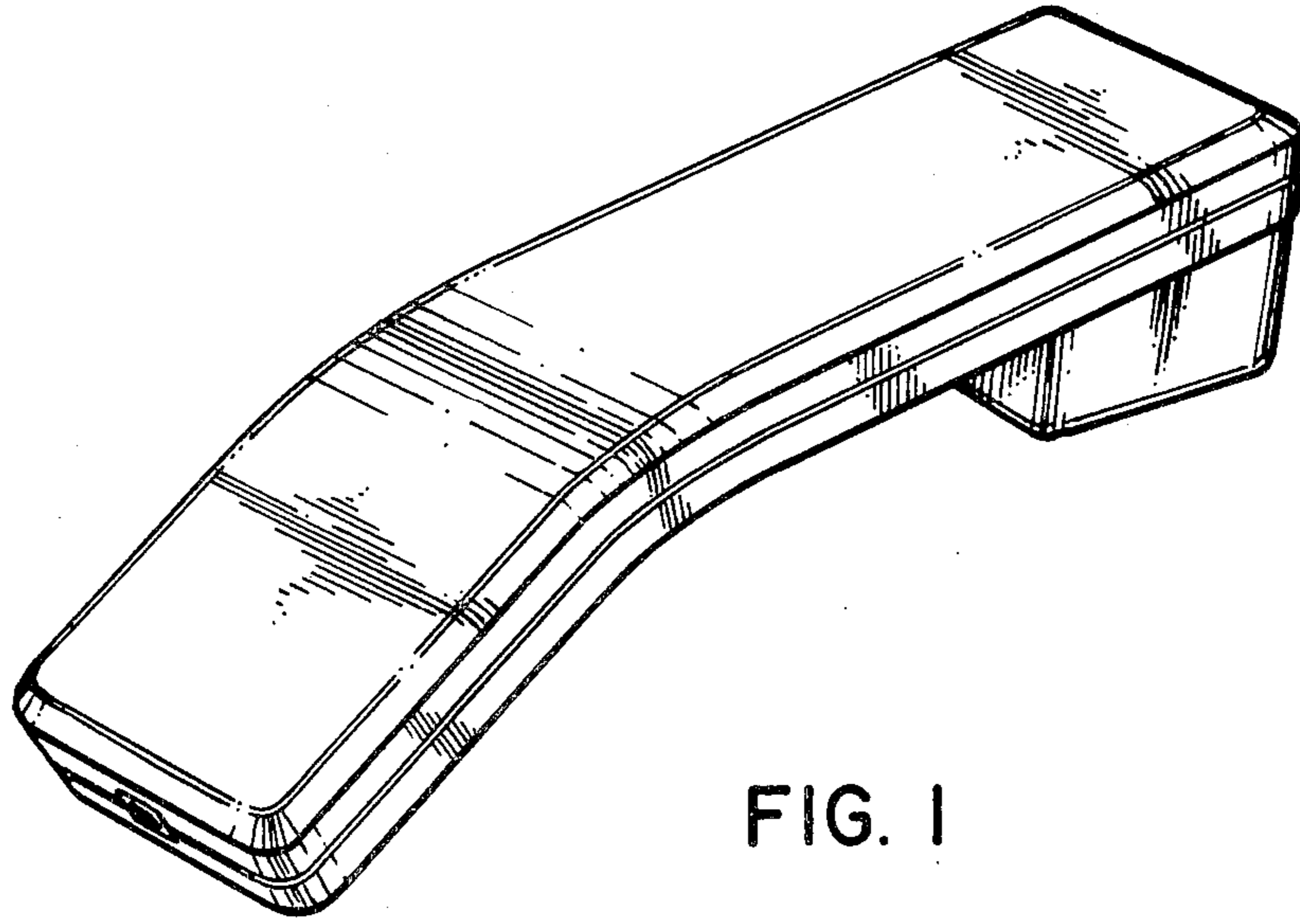


FIG. 1

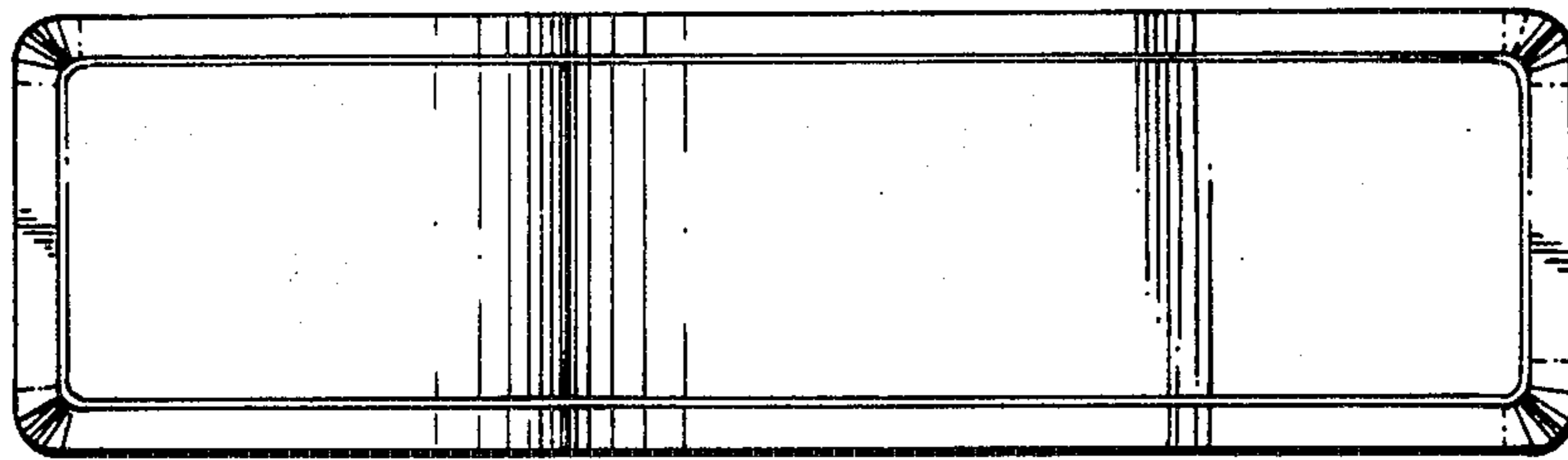


FIG. 2

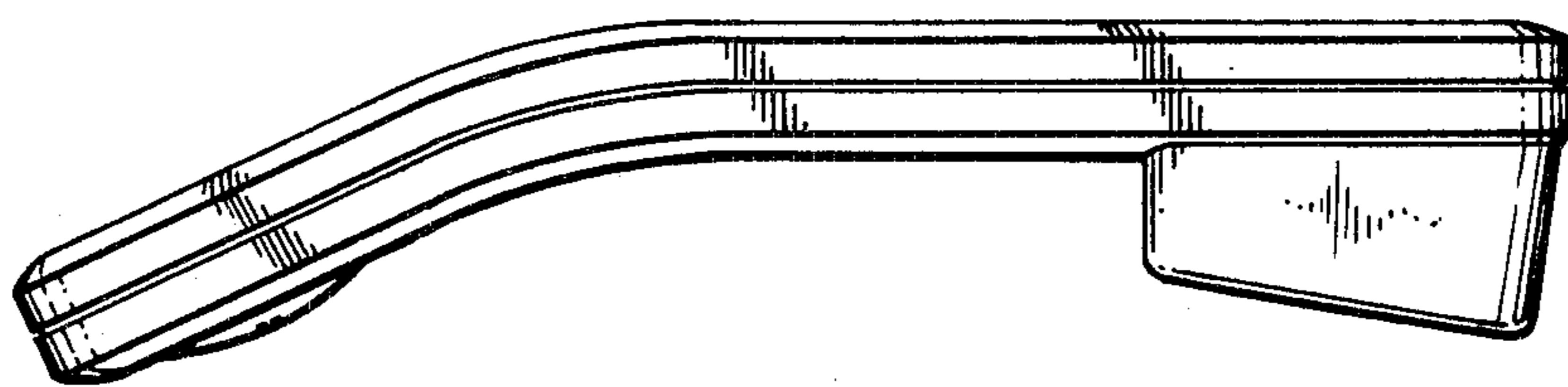


FIG. 3

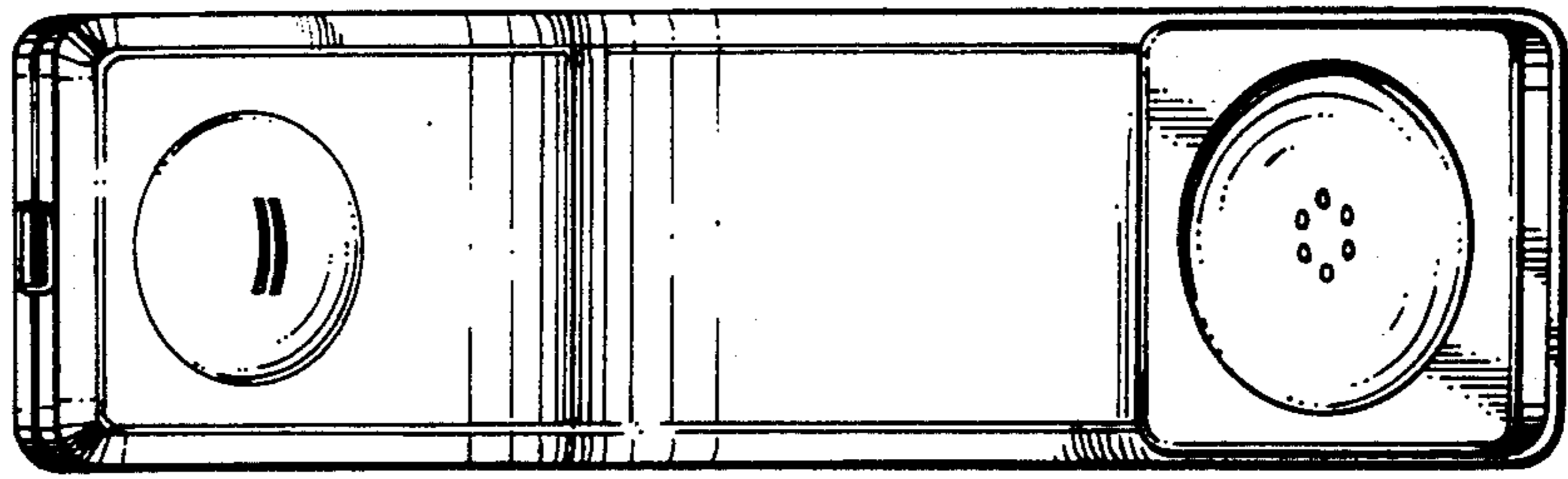


FIG. 4

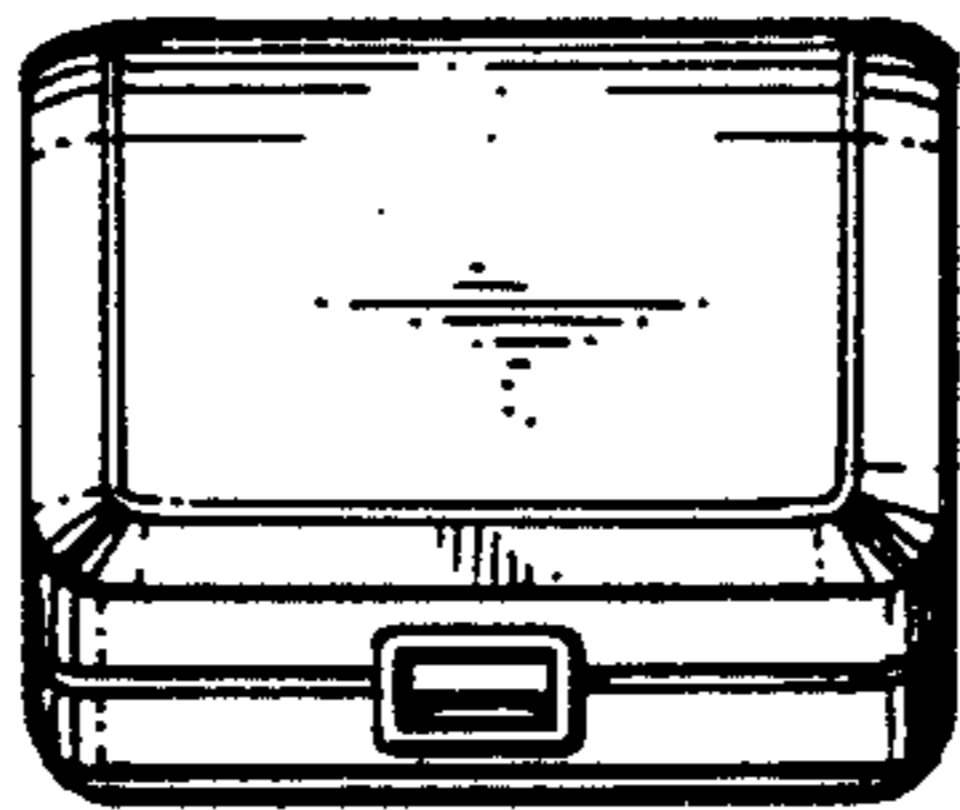


FIG. 5

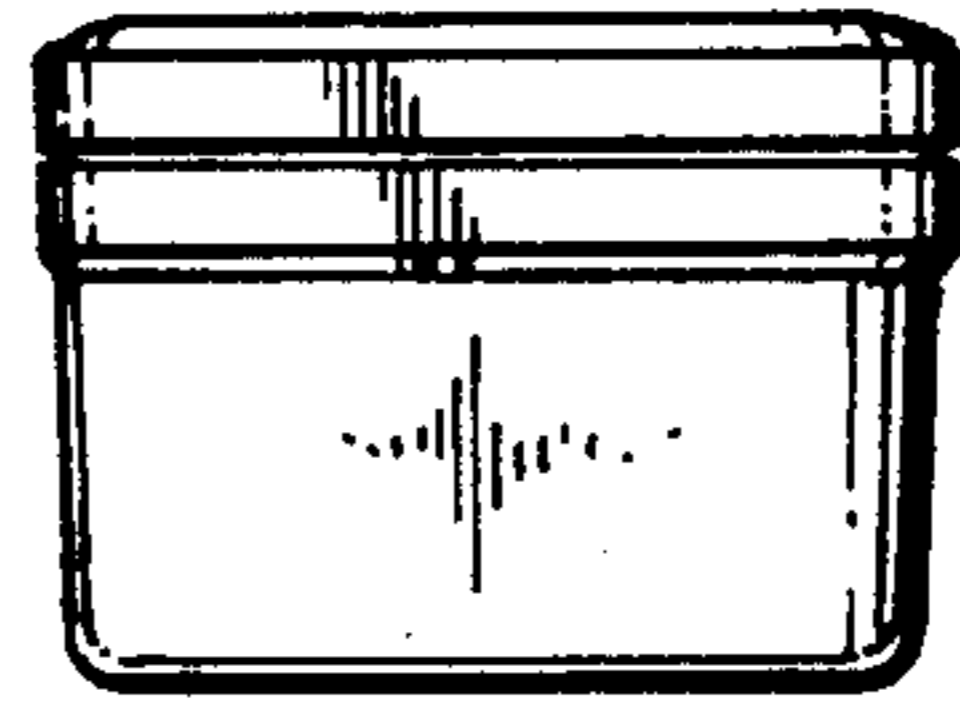


FIG. 6