

[54] CASSETTE PLAYER

[75] Inventors: Jun Ishii, Tokyo; Tokuzo Yamamoto, Yokohama, both of Japan

[73] Assignee: Kabushiki Kaisha Toshiba, Kawasaki, Japan

[\*\*] Term: 14 Years

[21] Appl. No.: 601,449

[22] Filed: Apr. 18, 1984

[30] Foreign Application Priority Data

Oct. 26, 1983 [JP] Japan ..... 58-46217

[52] U.S. Cl. .... D14/6; D14/5

[58] Field of Search ..... D14/1, 2, 5, 6, 10, D14/99, 68, 70

[56] References Cited

U.S. PATENT DOCUMENTS

- D. 179,398 12/1956 Sherwood ..... D14/2
- D. 244,868 6/1977 Hattori et al. .... D14/6 X
- D. 276,517 11/1984 Dekker et al. .... D14/10
- D. 276,999 1/1985 Arimura ..... D14/6

OTHER PUBLICATIONS

Catalogue of Toshiba Walky KT-RS1, published Jun., 1983.

Catalogue of Pioneer PK-5AW, published May, 1983.

Catalogue of National RQ-R1, published Jan. 1983.

Catalogue of Hitachi CP-7, published May 21, 1983.

Primary Examiner—Bernard Ansher

Assistant Examiner—Theodore M. Shooman

Attorney, Agent, or Firm—Finnegan, Henderson, Farabow, Garrett & Dunner

[57] CLAIM

The ornamental design for a cassette player, as shown and described.

DESCRIPTION

FIG. 1 is a front, top and right side perspective view of a cassette player showing our new design;

FIG. 2 is a front elevational view thereof;

FIG. 3 is a left side elevational view thereof;

FIG. 4 is a right side elevational view thereof;

FIG. 5 is a top plan view thereof;

FIG. 6 is a bottom plan view thereof;

FIG. 7 is a rear elevational view thereof;

FIG. 8 is a perspective view thereof with the cover in an open position; and

FIG. 9 is a perspective view like FIG. 1, the broken line showing of a cassette is environmental only and forms no part of the claimed design.

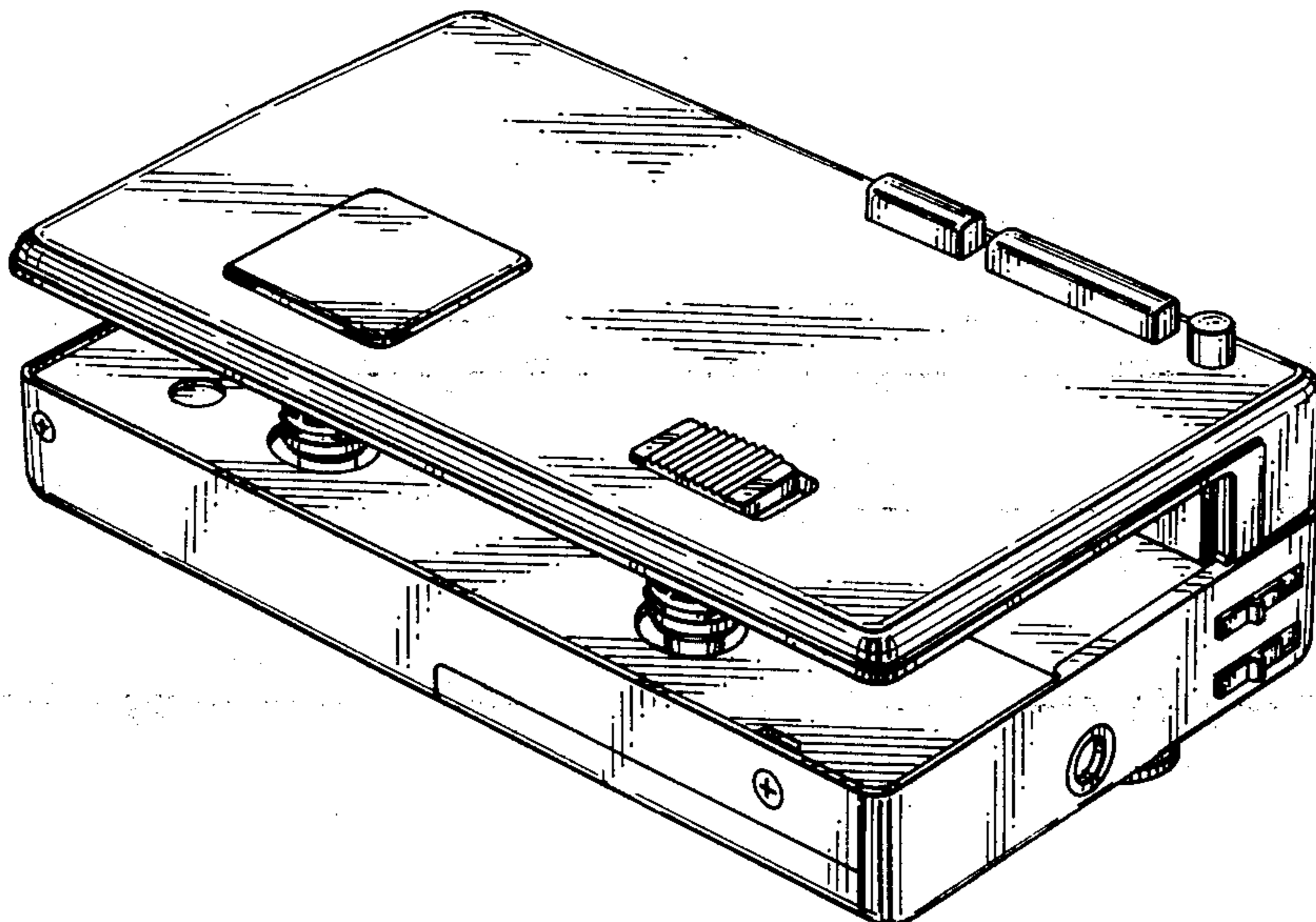


FIG. 1

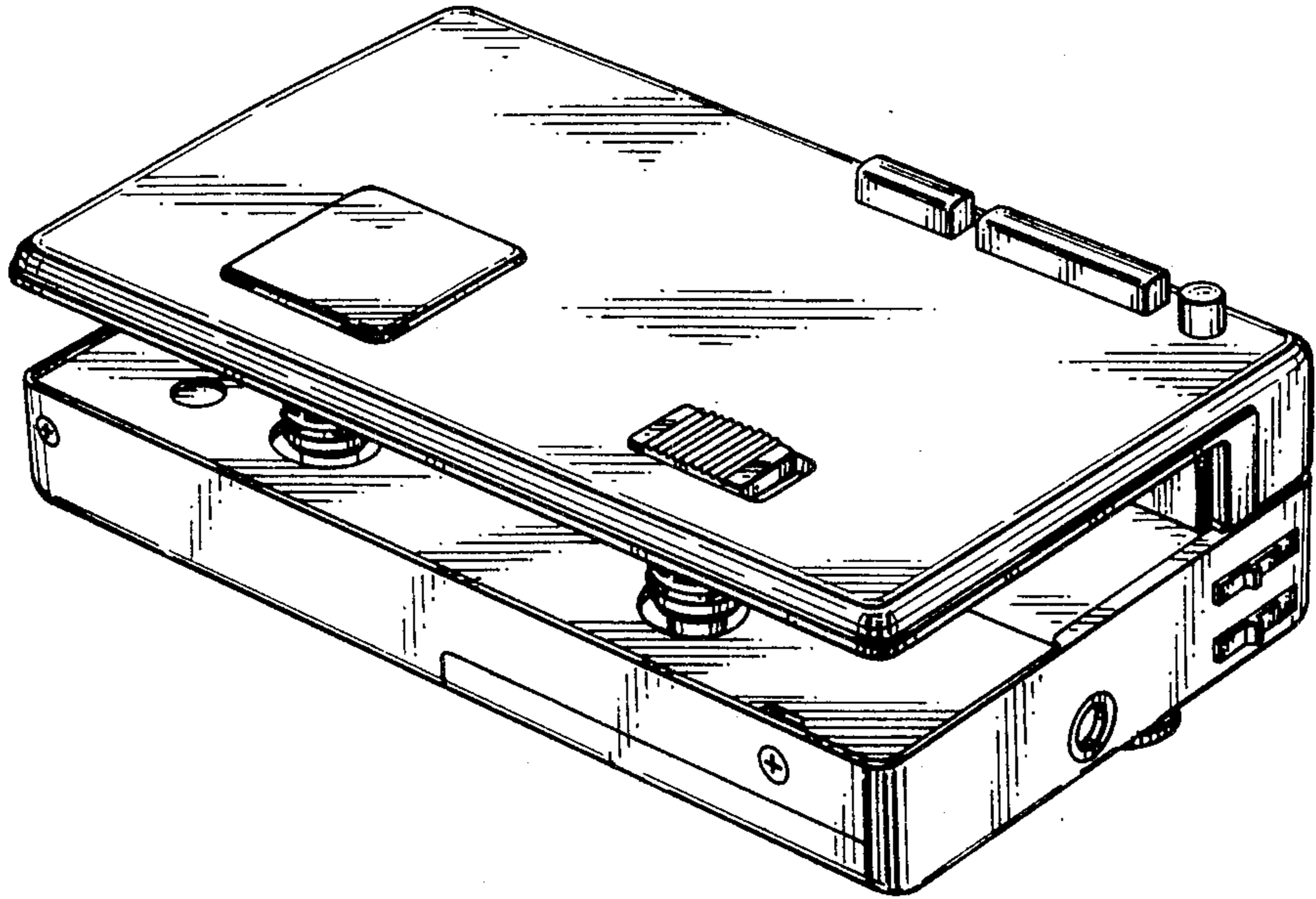


FIG. 2

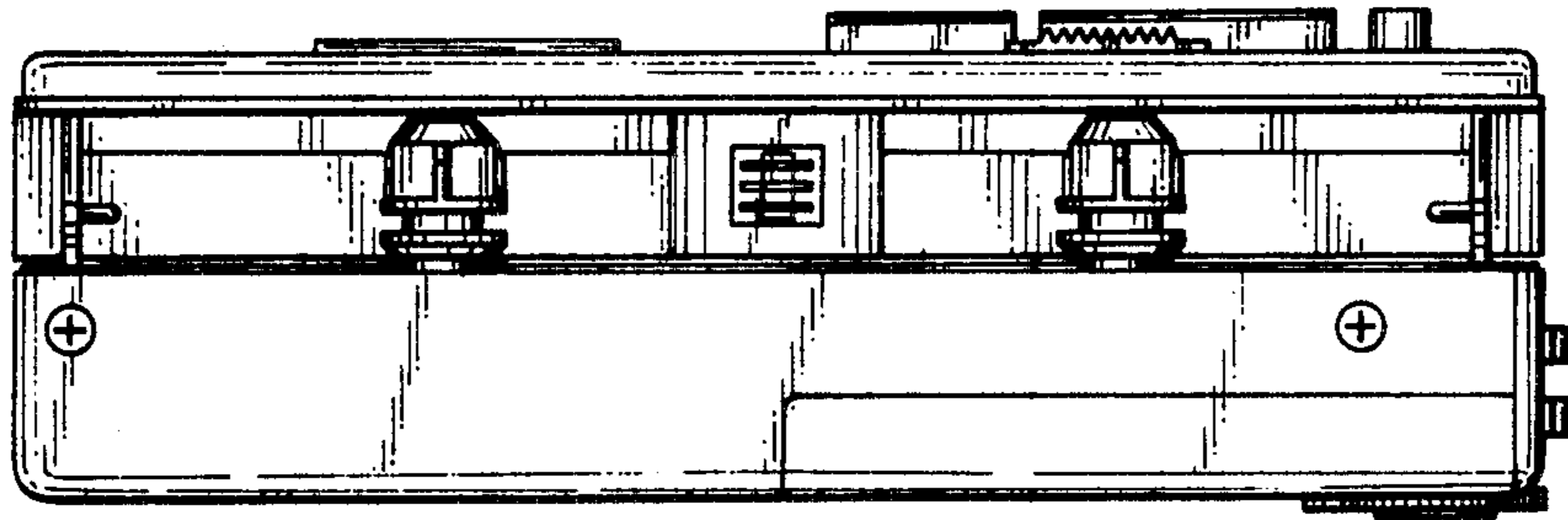


FIG. 3

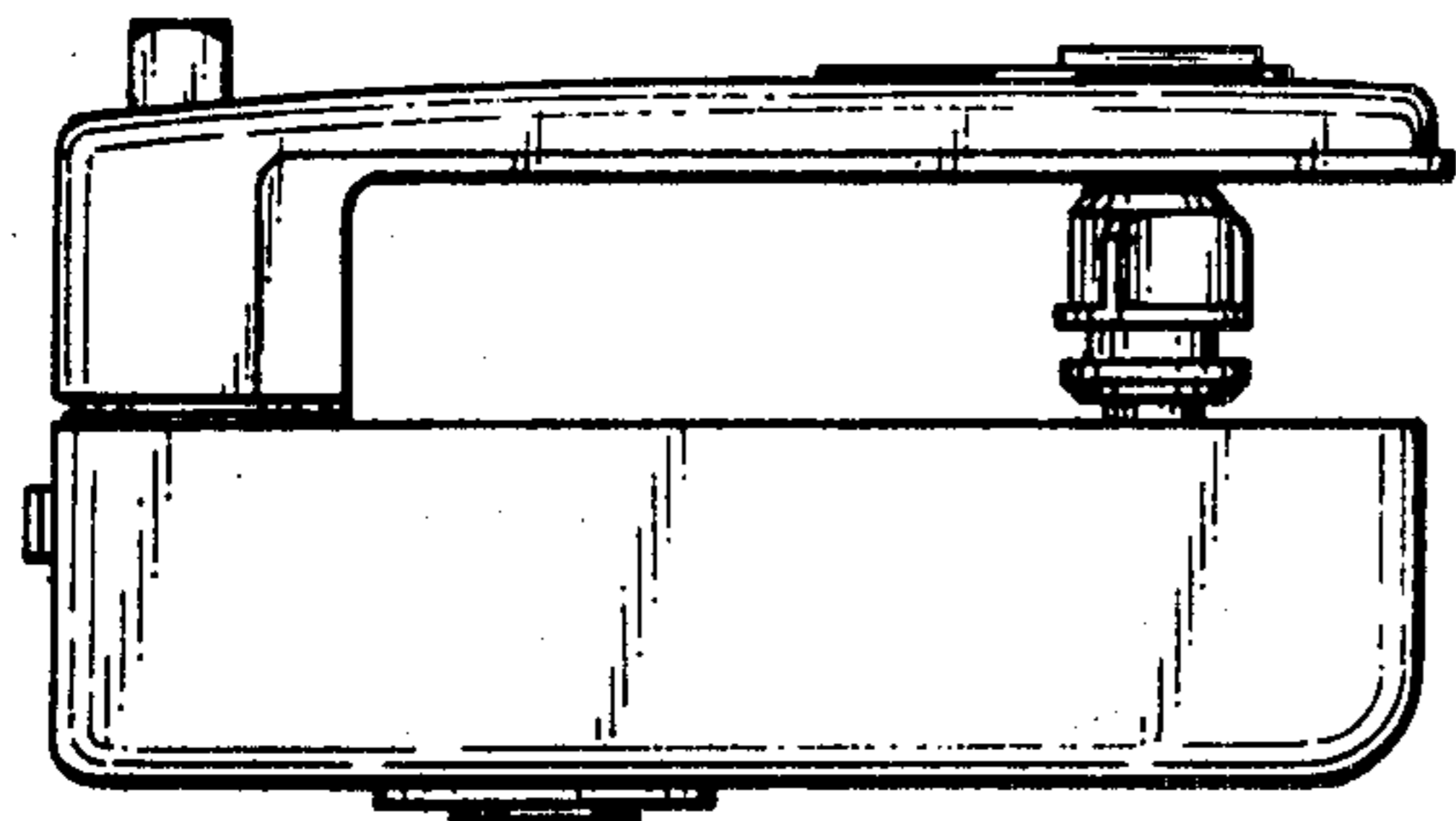


FIG. 4

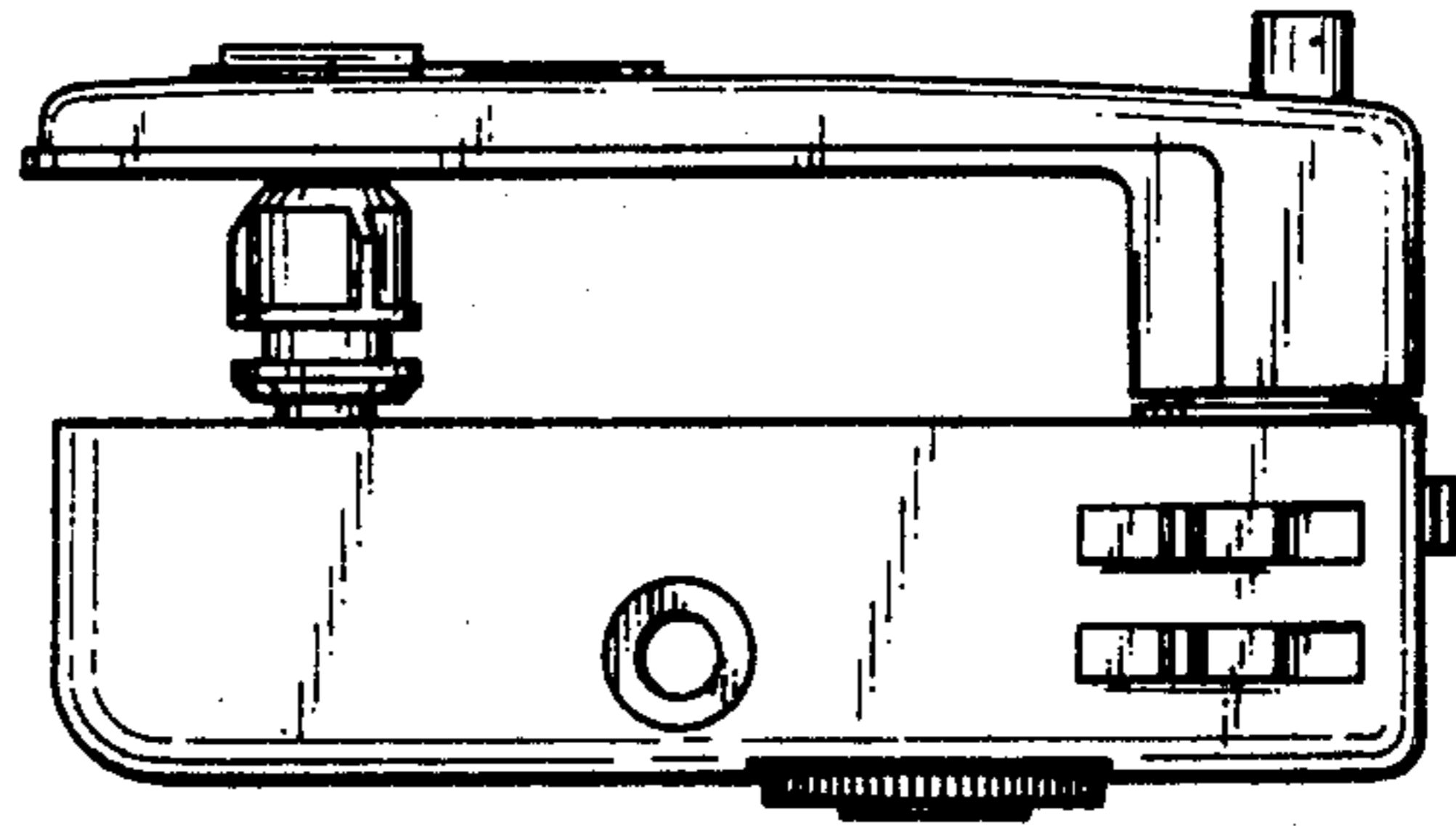


FIG. 5

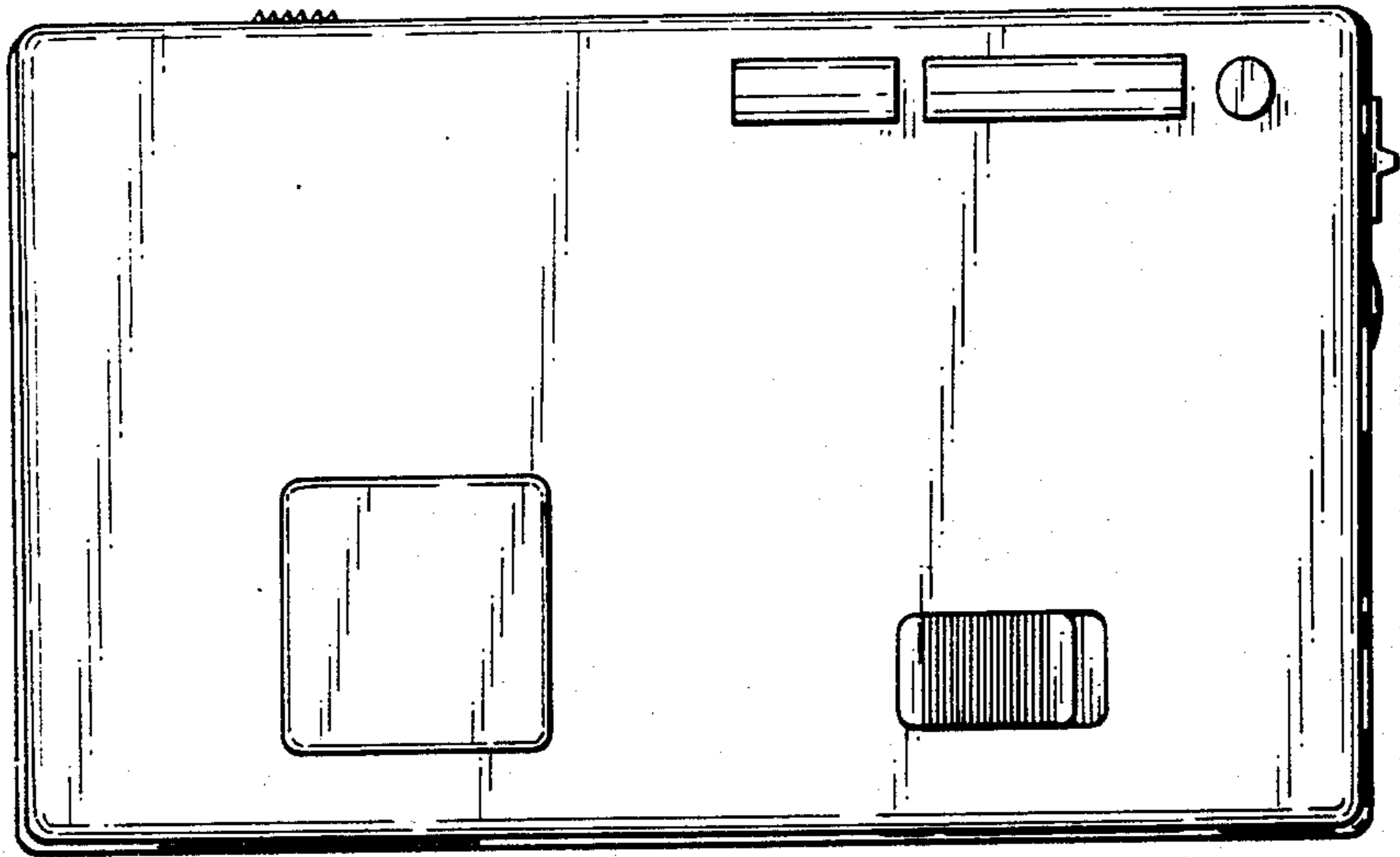


FIG. 6

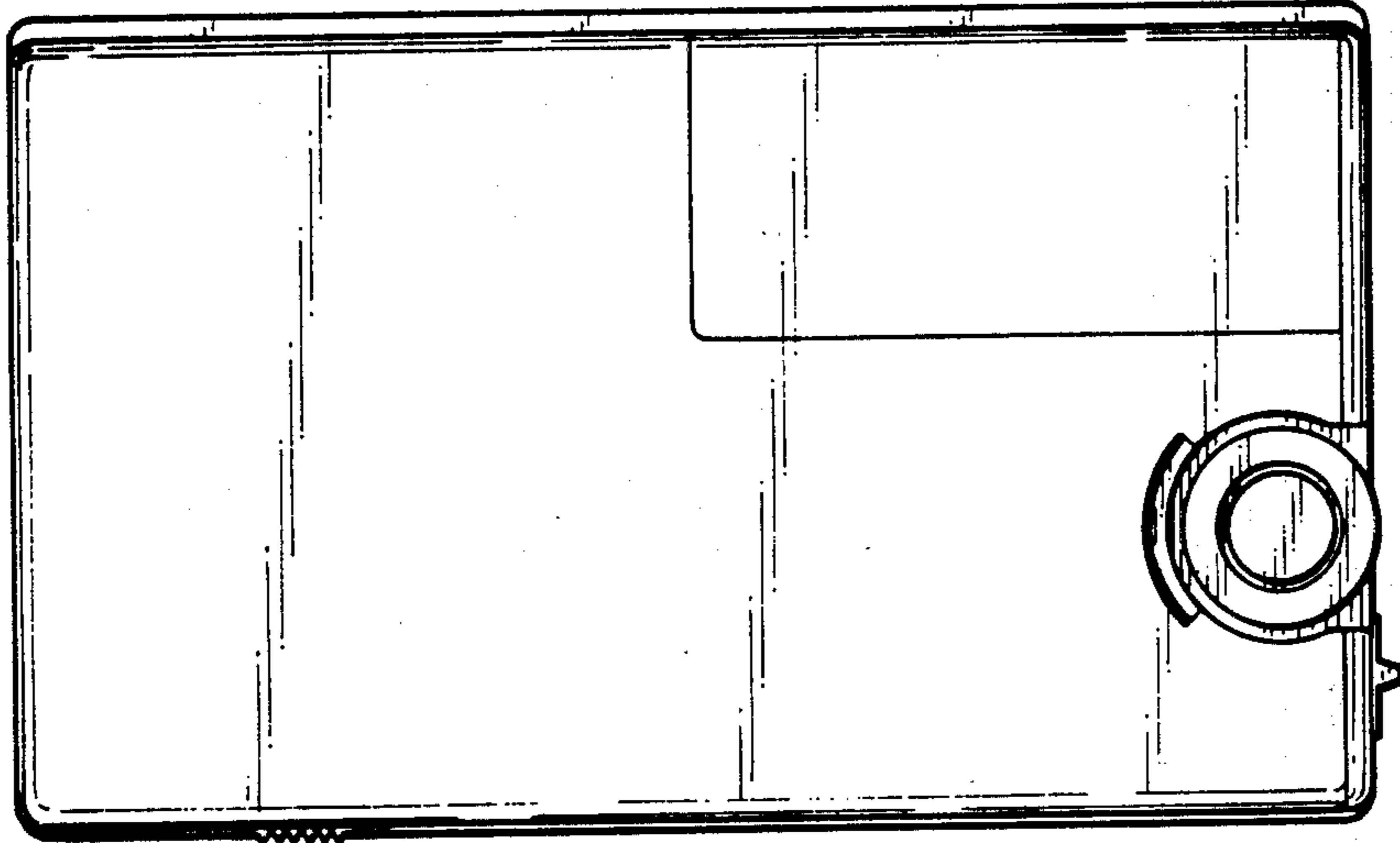


FIG. 7

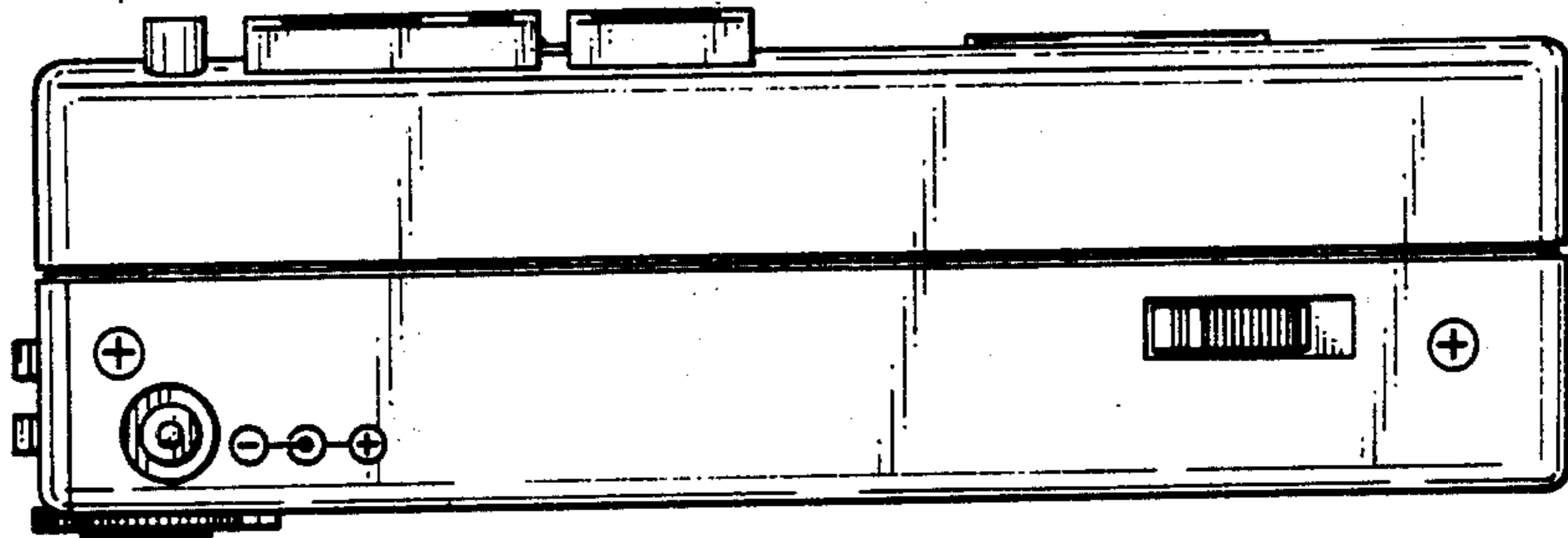


FIG. 8

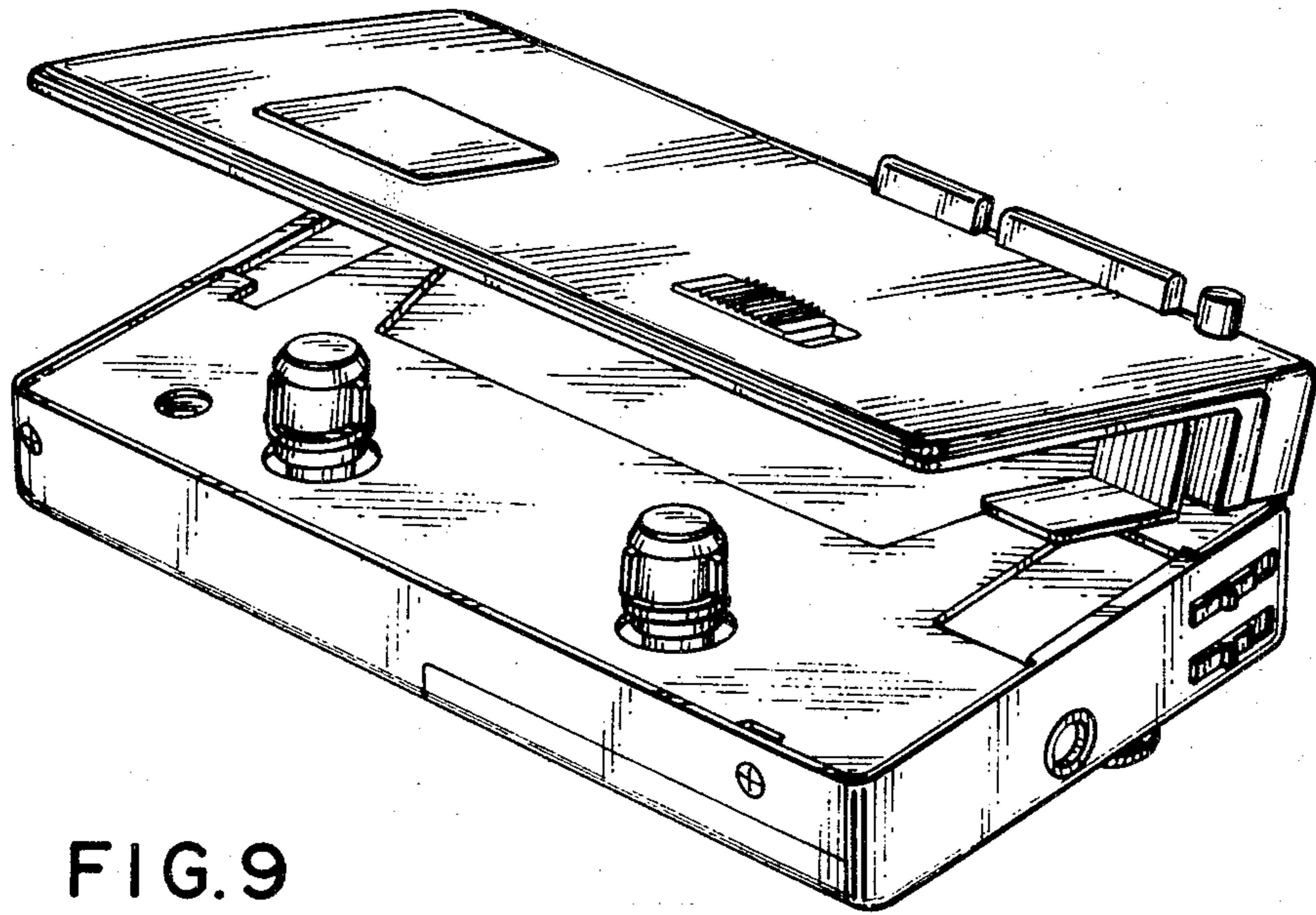


FIG. 9

