

[54] AUDIO MIXER

3,175,191 3/1965 Cohn et al. D14/95 X

[75] Inventors: Masafumi Itoh, Tokyo; Sigeru Hasegawa, Kodaira; Haruki Takita, Hachiohji; Junko Suzuki, Tokyo; Kouji Suzuki, Tokorozawa, all of Japan

FOREIGN PATENT DOCUMENTS

57-18111 1/1982 Japan 381/103

[73] Assignee: Teac Corporation, Musashino, Japan

OTHER PUBLICATIONS

Retail Home Furnishings, 12/27/76, Section 1, p. 46, bottom left of page.

[**] Term: 14 Years

Opamp Labs. Inc., Los Angeles, CA, Spec Sheet presented at 34th Audio Engineering Society Convention, 4/29-5/2/68, 10-Station Portable Mic-MixDown Console Kit.

[21] Appl. No.: 595,740

[22] Filed: Apr. 2, 1984

Primary Examiner—Bernard Ansher
Assistant Examiner—Theodore M. Shooman
Attorney, Agent, or Firm—Ladas & Parry

[30] Foreign Application Priority Data

Dec. 27, 1983 [JP] Japan 58-56364

[52] U.S. Cl. D14/5; D14/1; D14/99

[58] Field of Search D14/1, 5, 99, 6, 95, D14/96; 381/103

[57] CLAIM

The ornamental design for a audio mixer, as shown.

[56] References Cited

U.S. PATENT DOCUMENTS

- D. 244,961 7/1977 Boldt et al. D14/5
- D. 258,058 1/1981 Dietrich D14/6 X
- D. 273,676 5/1984 Itoh et al. D14/1
- D. 273,950 5/1984 Itoh et al. D14/1
- D. 278,429 4/1985 Doodson D14/6 X

DESCRIPTION

FIG. 1 is a top, front and left side isometric view of an audio mixer showing our new design;
FIG. 2 is a top plan view thereof;
FIG. 3 is a front elevational view thereof;
FIG. 4 is a rear elevational view thereof;
FIG. 5 is a bottom plan view thereof;
FIG. 6 is a right side elevational view thereof; and
FIG. 7 is a left side elevational view thereof.

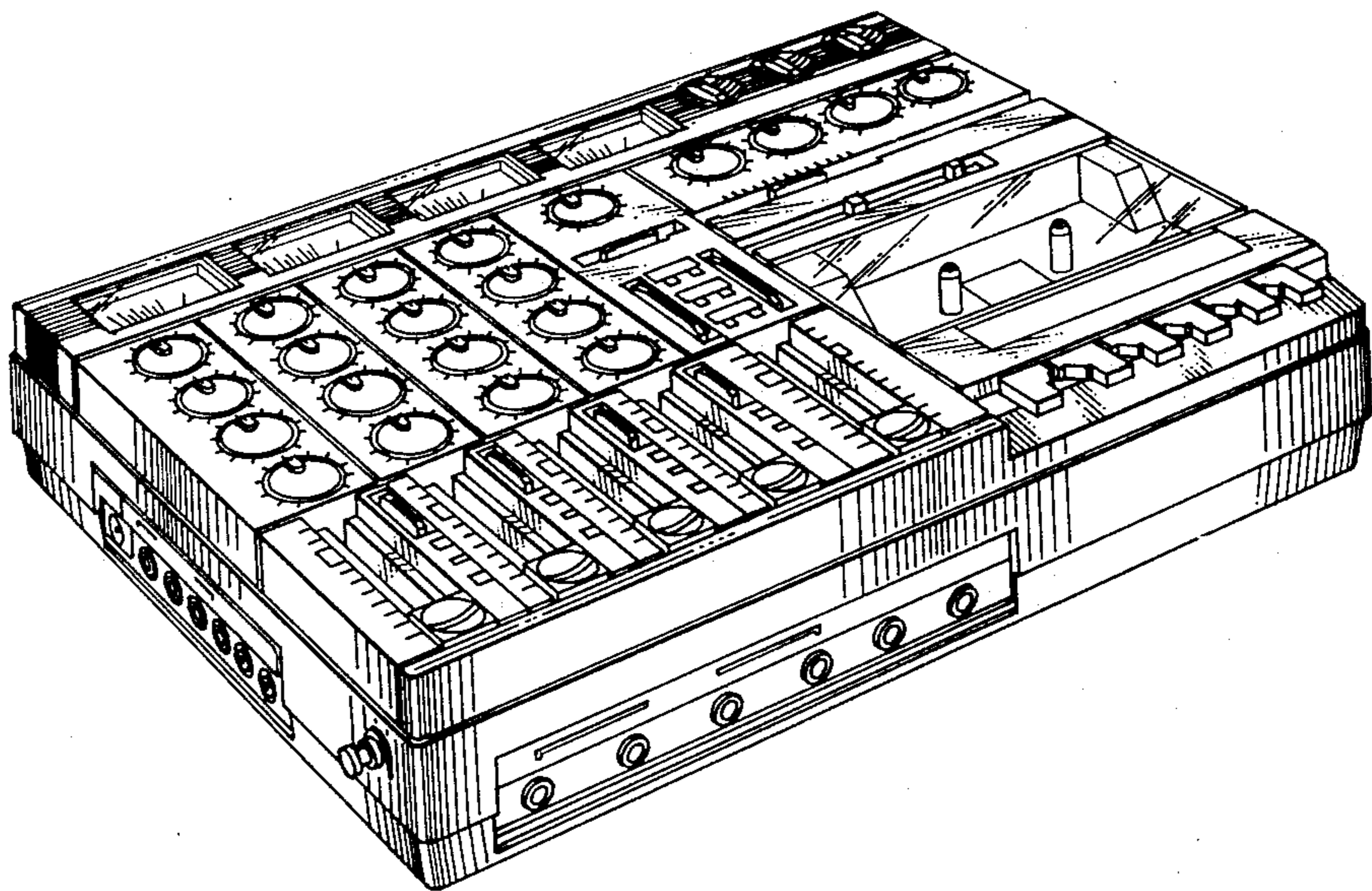


FIG. 1

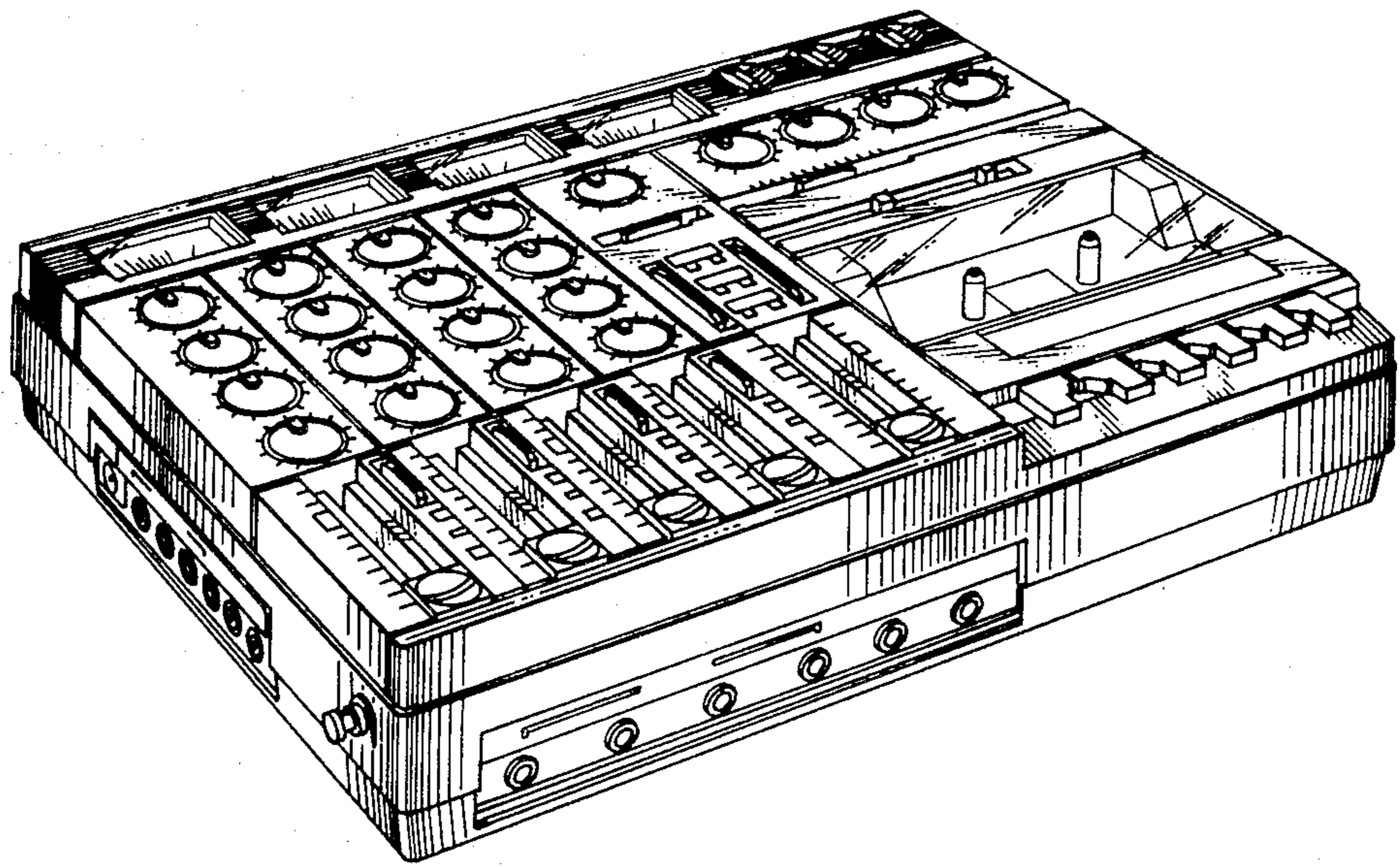


FIG. 2

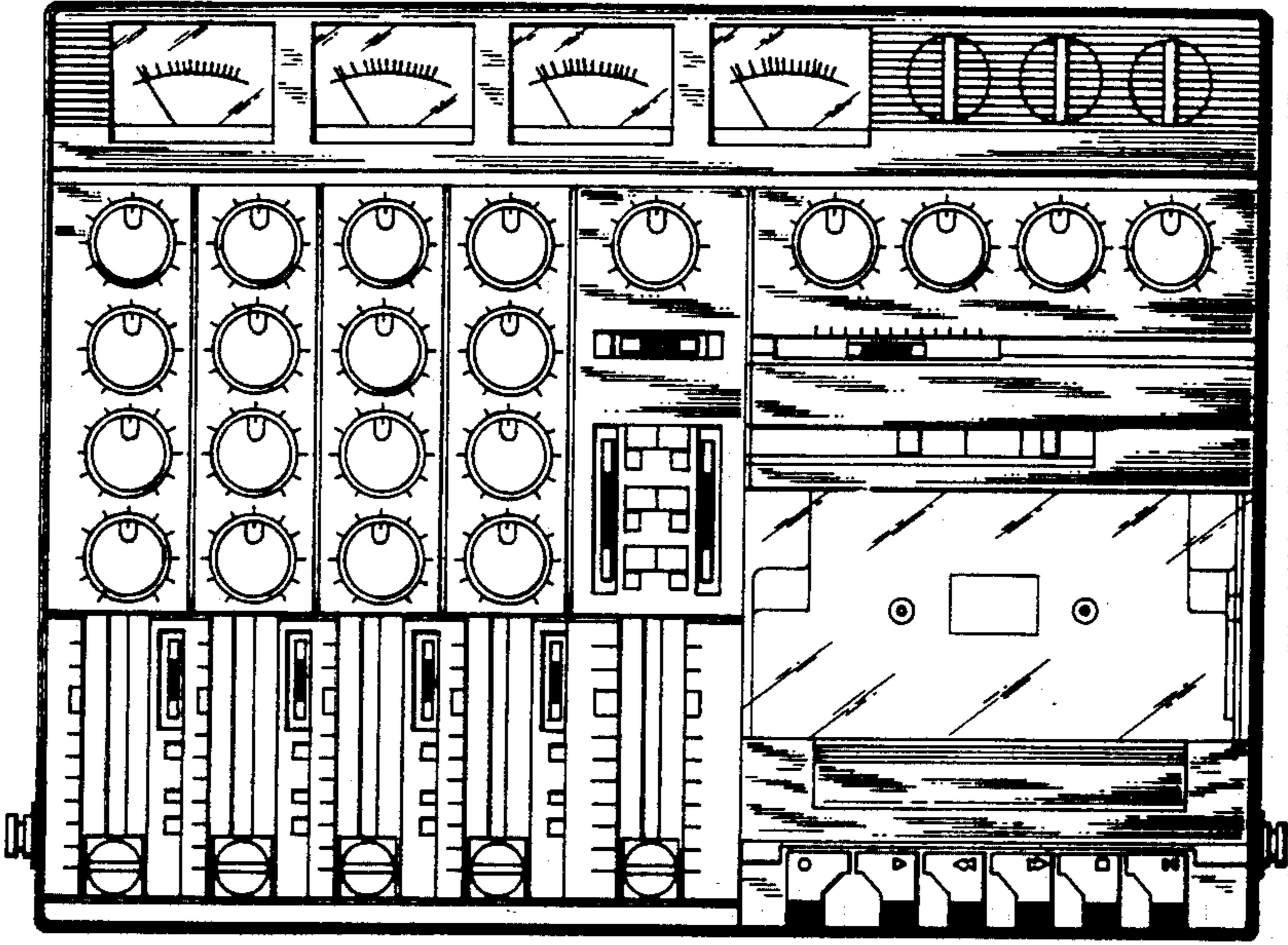


FIG. 3

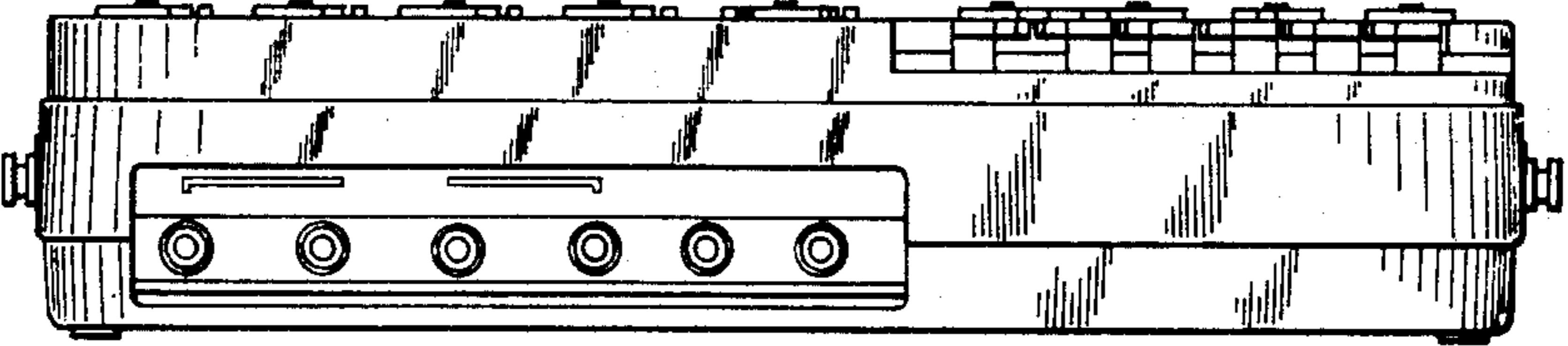


FIG. 4

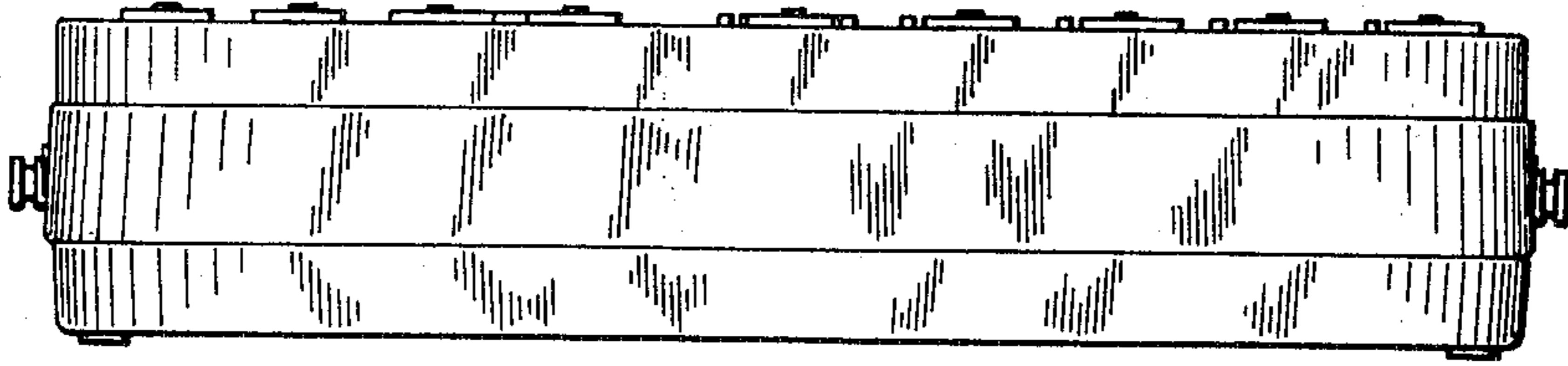


FIG. 5

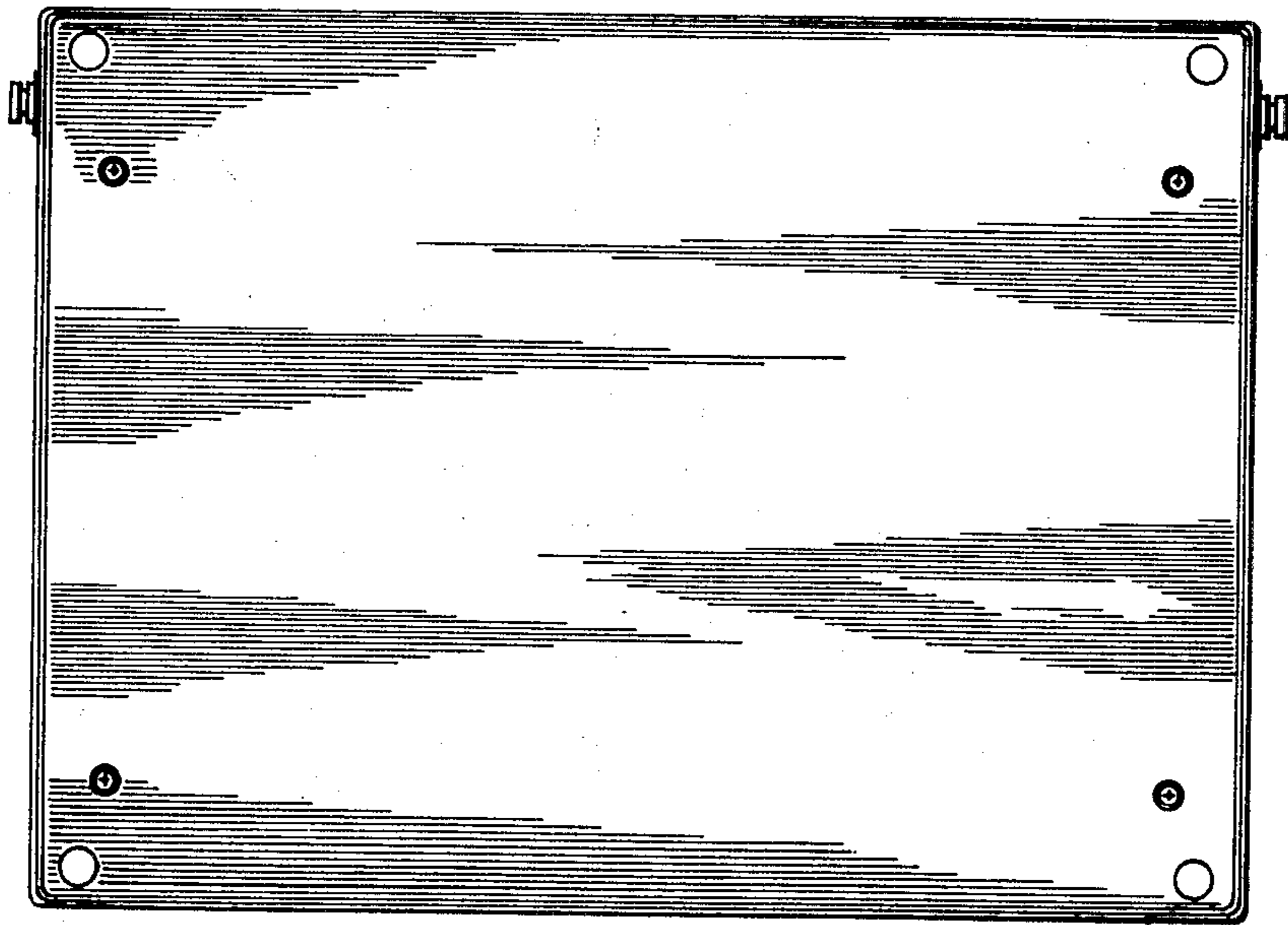


FIG. 6

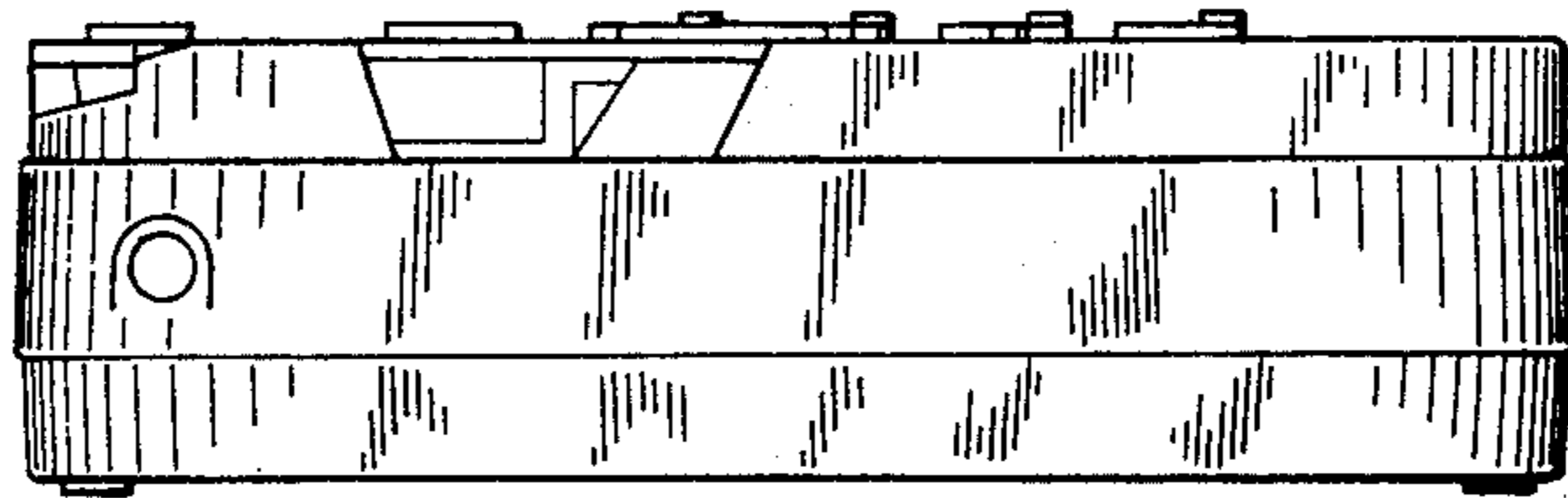
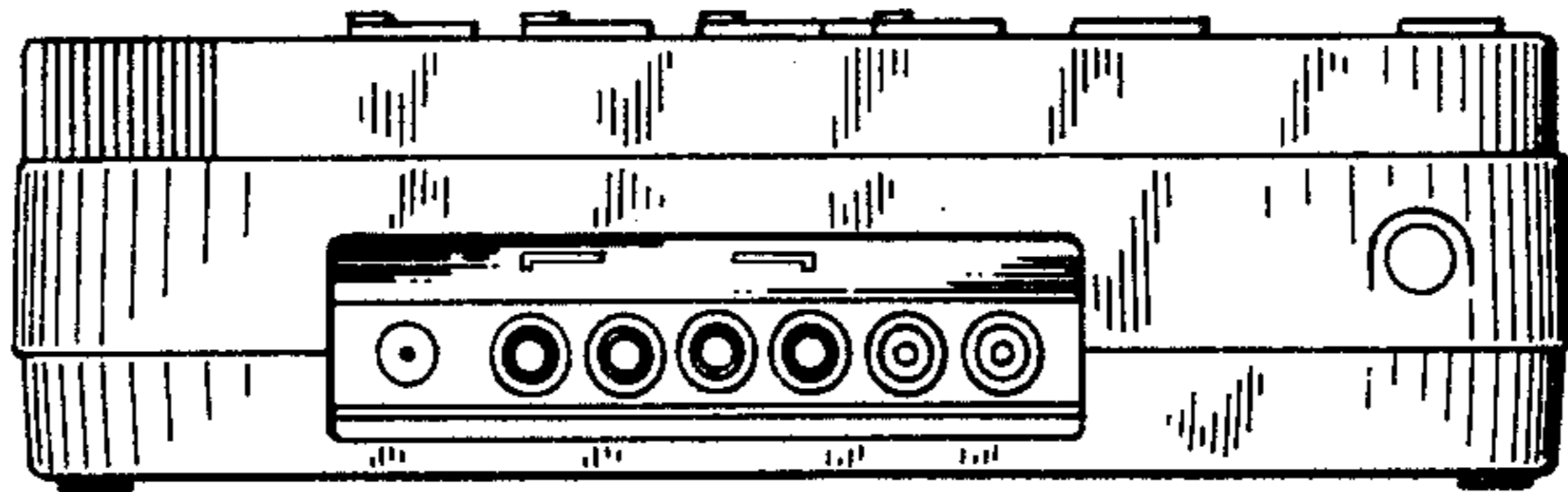


FIG. 7



UNITED STATES PATENT AND TRADEMARK OFFICE
CERTIFICATE OF CORRECTION

PATENT NO. : Des. 288,437
DATED : February 24, 1987
INVENTOR(S) : ITO, Masafumi et al

It is certified that error appears in the above-identified patent and that said Letters Patent is hereby corrected as shown below:

Title Page, Item [19] delete "Itoh et al" and
replace therefor -- Ito et al --; and

Title Page, Column 1, Item [75] Inventors:
delete "Masafumi Itoh" and replace therefor
-- Masafumi Ito --.

**Signed and Sealed this
Fifth Day of January, 1988**

Attest:

Attesting Officer

DONALD J. QUIGG

Commissioner of Patents and Trademarks