

[54] HOUSING FOR ELECTRICAL CIRCUIT WHICH PROVIDES AN INTERFACE BETWEEN A COMPUTER AND A TELEVISION SET, OR THE LIKE

[75] Inventor: Rob J. Gemmell, Santa Clara, Calif.

[73] Assignee: Apple Computer, Inc., Cupertino, Calif.

[\*\*] Term: 14 Years

[21] Appl. No.: 602,652

[22] Filed: Apr. 20, 1984

[52] U.S. Cl. .... D13/11

[58] Field of Search ..... D13/11-13, D13/40-41, 35, 99; D14/114; D10/46, 49, 75, 80, 96, 100-101, 103; 174/50, 52 R, 65 R; 219/10.55 R, 10.55 B, 10.75; 361/189-190, 392-394, 333-334, 347, 356-357; 332/16 R, 10, 17, 22; 220/4 R, 4 A, 76; 429/151-154, 163, 178

[56] References Cited

U.S. PATENT DOCUMENTS

3,002,044 9/1961 Scoville ..... 174/52 R

3,048,747 8/1962 Errichiello ..... 361/394  
3,054,024 9/1962 Dillen et al. .... 174/52 R  
3,346,775 10/1967 Christiansen ..... 361/392  
3,351,817 11/1967 Wadolny et al. .... 361/393  
3,437,883 4/1969 Smith ..... 361/394

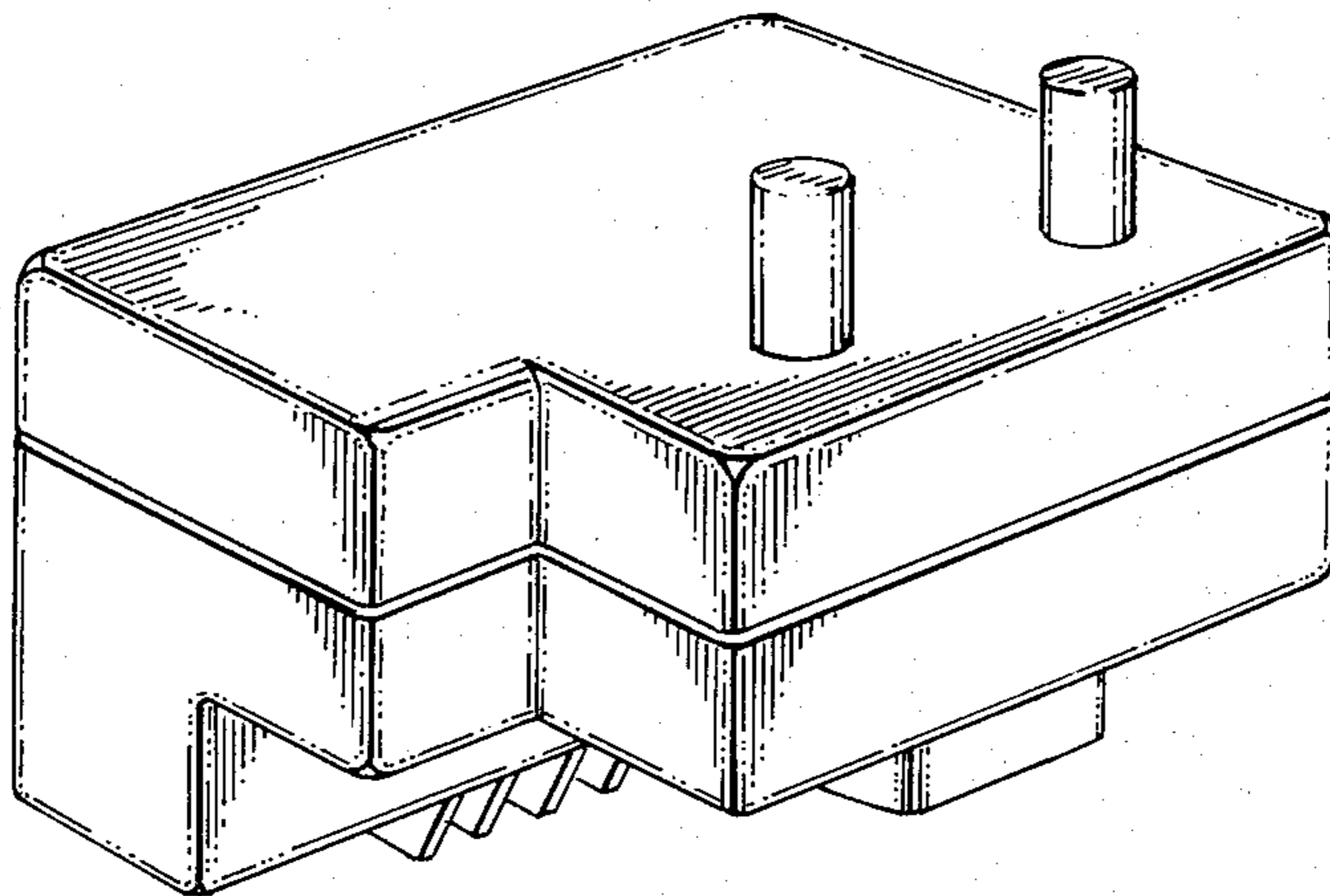
Primary Examiner—Wallace R. Burke  
Assistant Examiner—Ruth E. Takemoto  
Attorney, Agent, or Firm—Blakely, Sokoloff, Taylor & Zafman

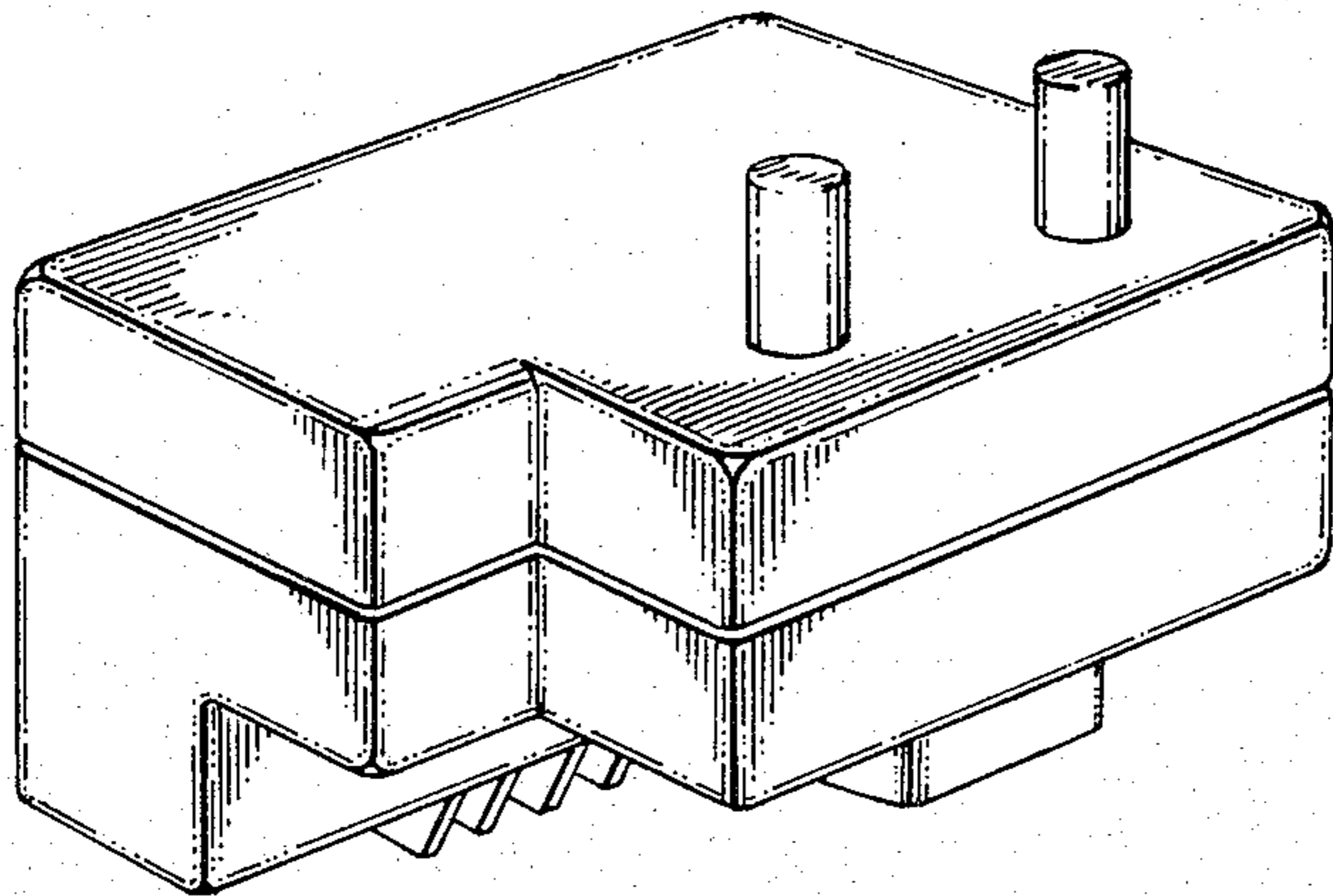
[57] CLAIM

The ornamental design for a housing for electrical circuit which provides an interface between a computer and a television set, or the like, substantially as shown.

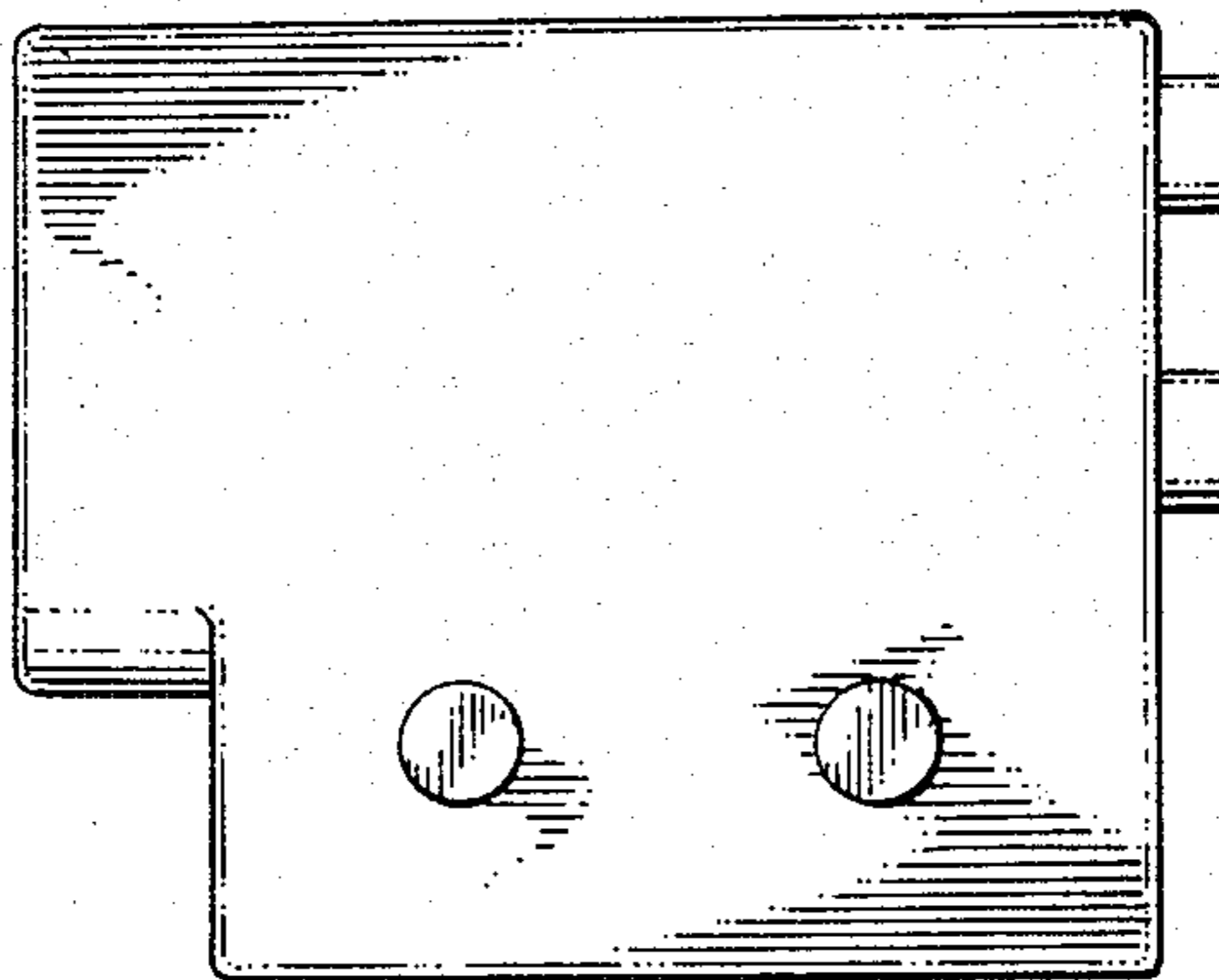
DESCRIPTION

FIG. 1 is a perspective view of an electrical circuit which provides an interface between a computer and a television set, or the like;  
FIG. 2 is a top plan view thereof;  
FIG. 3 is a front elevational view thereof;  
FIG. 4 is a left side elevational view thereof;  
FIG. 5 is a right side elevational view thereof;  
FIG. 6 is a rear elevational view thereof; and  
FIG. 7 is a bottom plan view thereof.

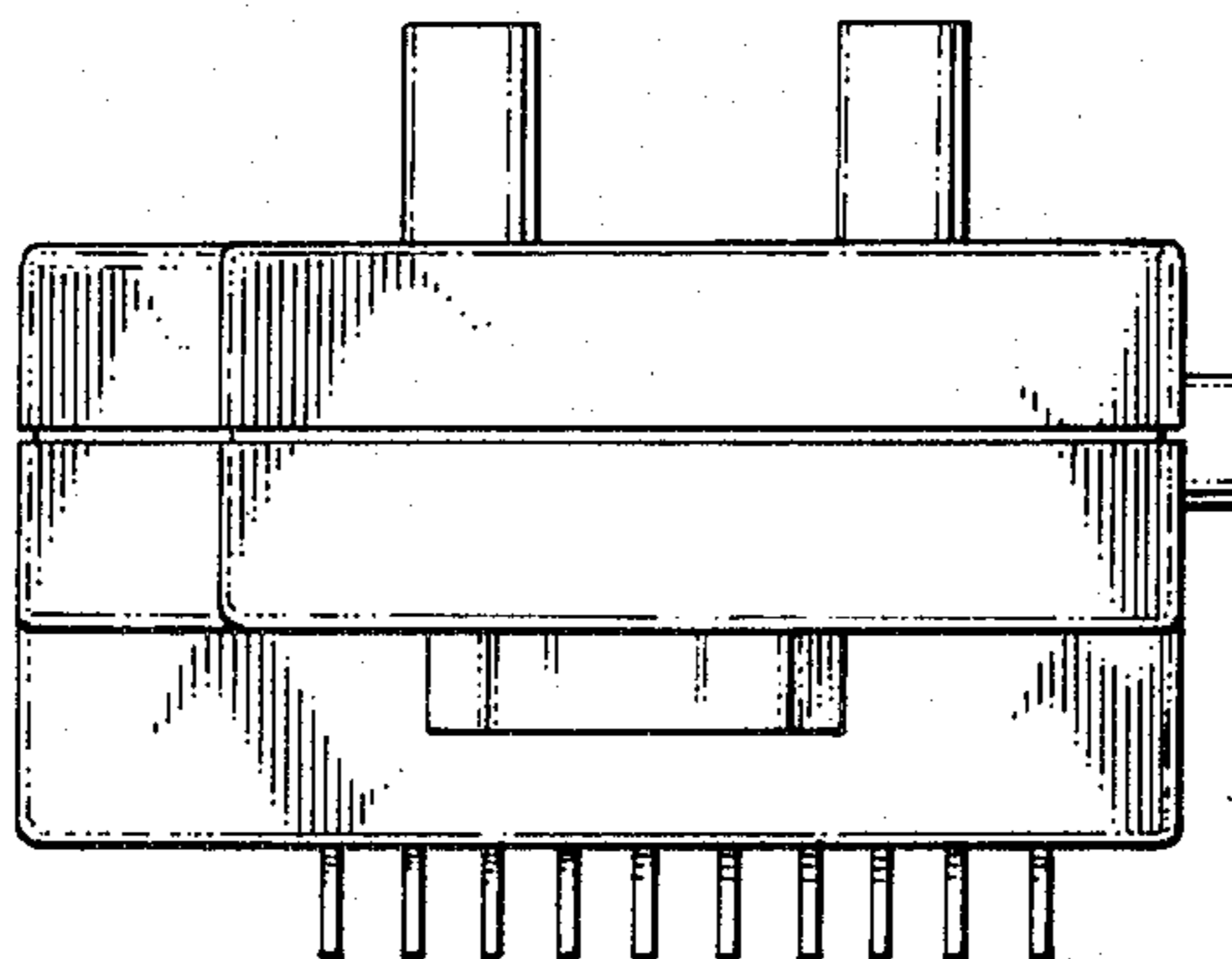




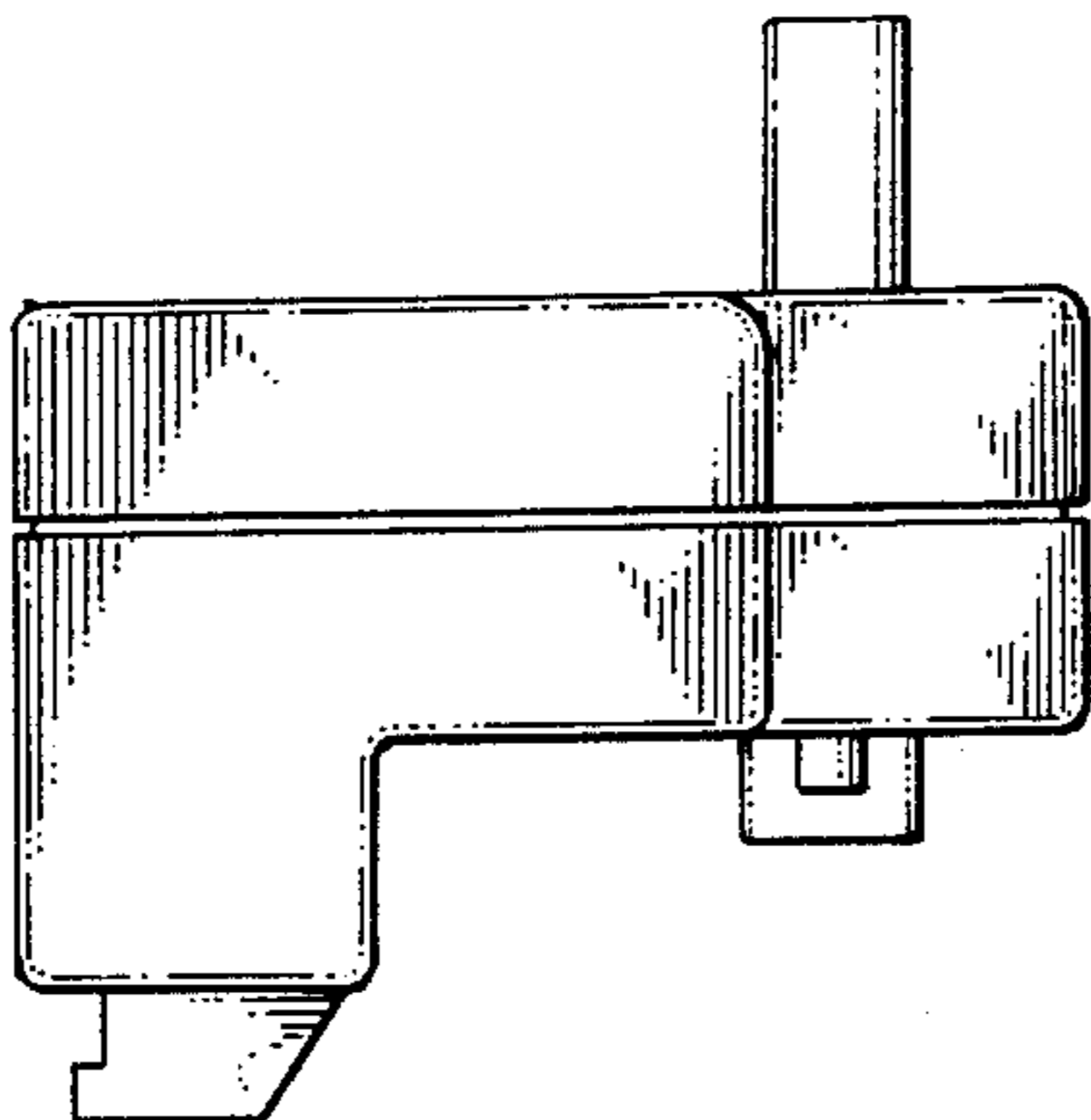
*Fig. 1*



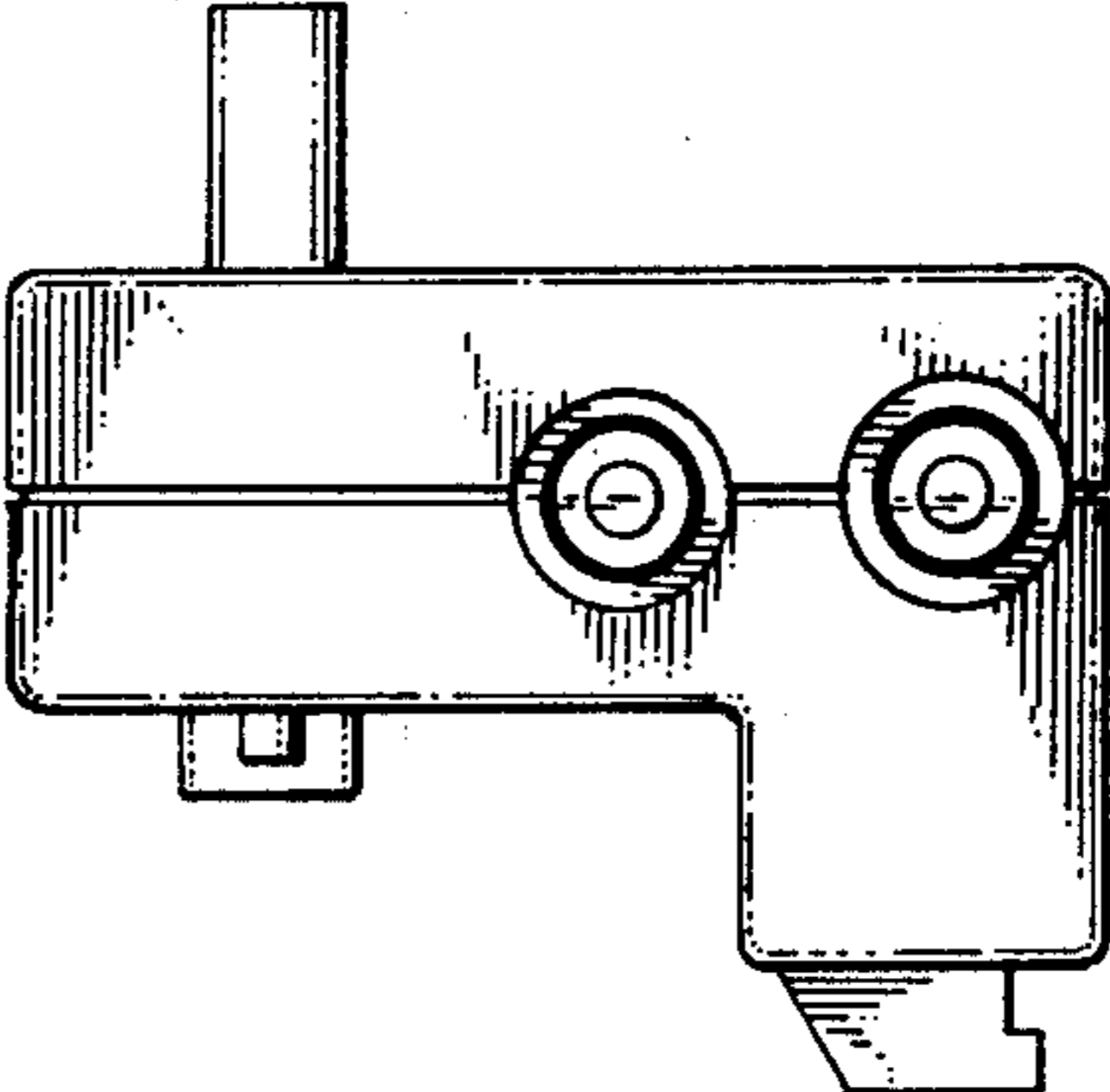
*Fig. 2*



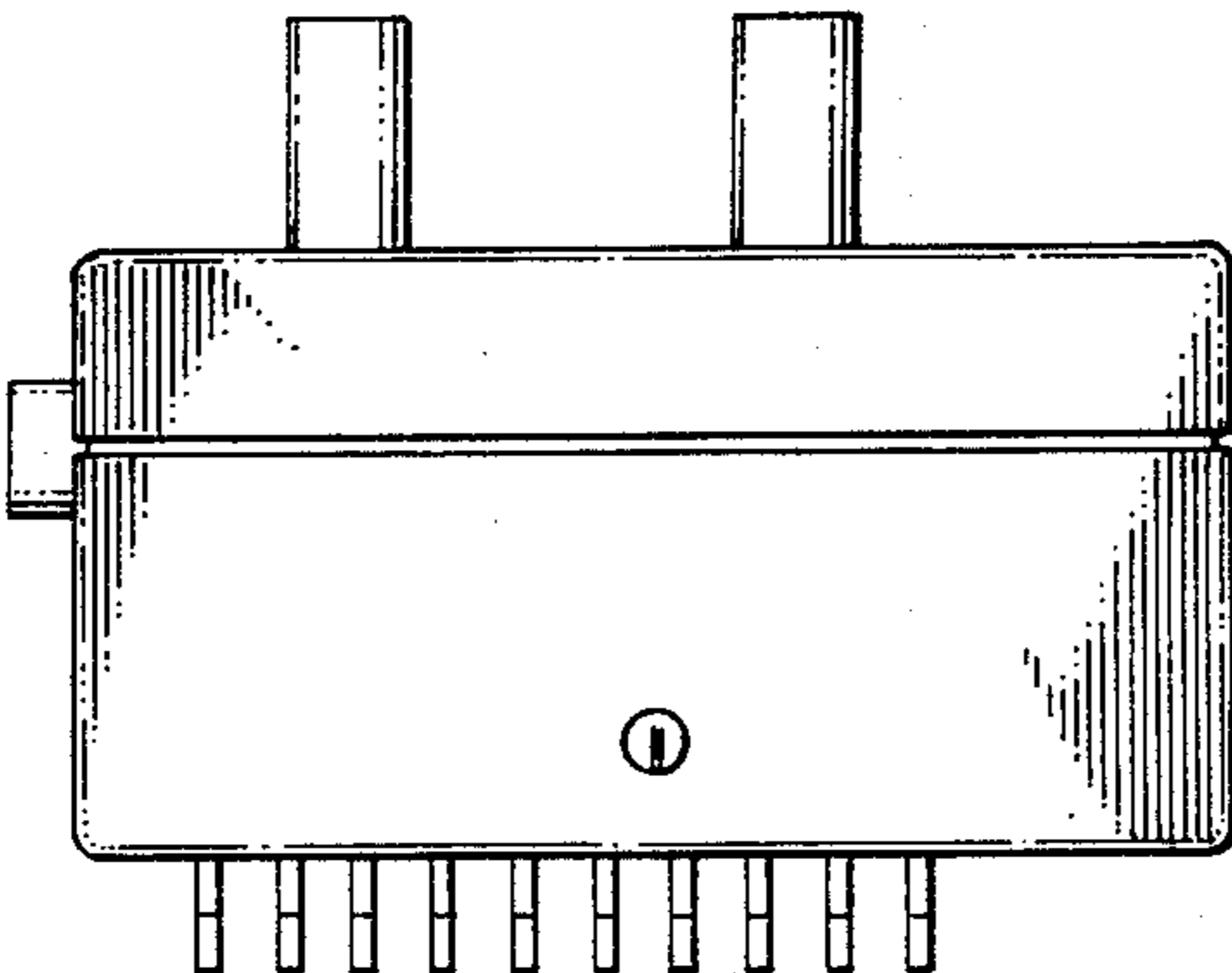
*Fig. 3*



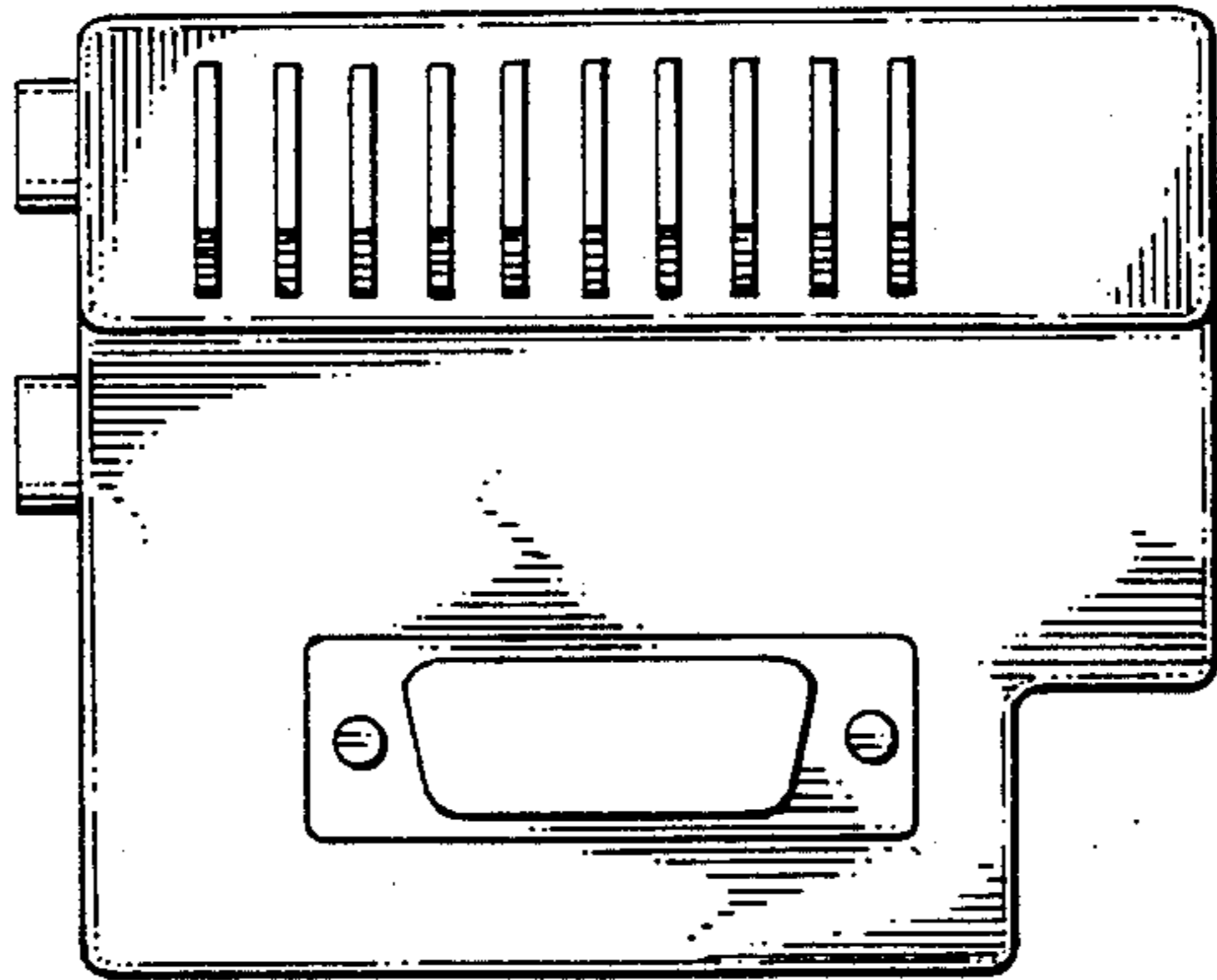
*Fig. 4*



*Fig. 5*



*Fig. 6*



*Fig. 7*