

[54] SEAT SHAFT FOR BICYCLES

[75] Inventor: Henri Juy, Dijon, France

[73] Assignee: Etablissements le Simplex, France

[\*\*] Term: 14 Years

[21] Appl. No.: 608,558

[22] Filed: May 9, 1984

[30] Foreign Application Priority Data

Sep. 11, 1983 [FR] France ..... 834158

[52] U.S. Cl. .... D12/119

[58] Field of Search ..... D12/119; 403/390, 391,  
403/82, 84, 87; 297/195

[56] References Cited

PUBLICATIONS

Performance Bicycle Shop 1983 Spring/Summer Cata-

log, p. 15, 3TTT Seat Post "H", bottom left side of page.

American Bicyclist & Motorcyclist, 11/82, p. 34, ATEX 1510 Luxe Seat Post, center left side of page; p. 75, Sun Tour Seat Post, center left side of page.

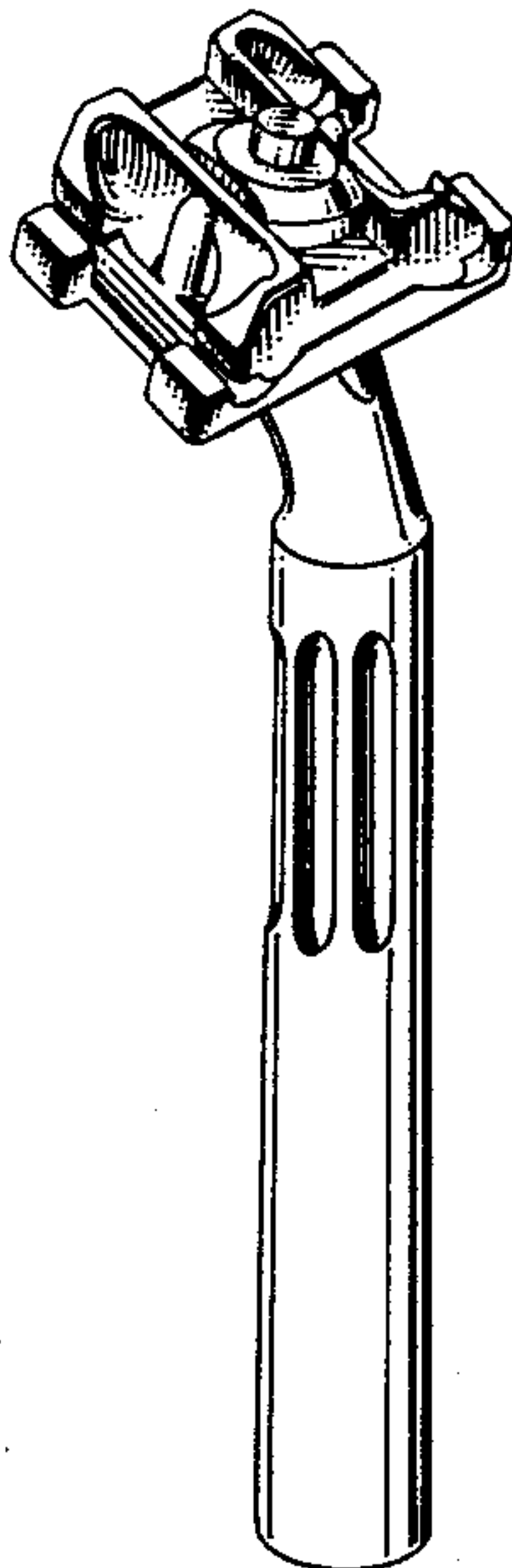
Primary Examiner—James M. Gandy  
Attorney, Agent, or Firm—Eric P. Schellin

[57] CLAIM

The ornamental design for a seat shaft for bicycles, as shown.

DESCRIPTION

FIG. 1 is a perspective view of seat shaft for bicycles showing my new design;  
FIG. 2 is a rear elevation view thereof;  
FIG. 3 is a side elevation view thereof;  
FIG. 4 is a front elevation view thereof;  
FIG. 5 is a side elevation view thereof opposite to that shown in FIG. 3;  
FIG. 6 is a bottom plan view thereof; and  
FIG. 7 is a top plan view thereof.



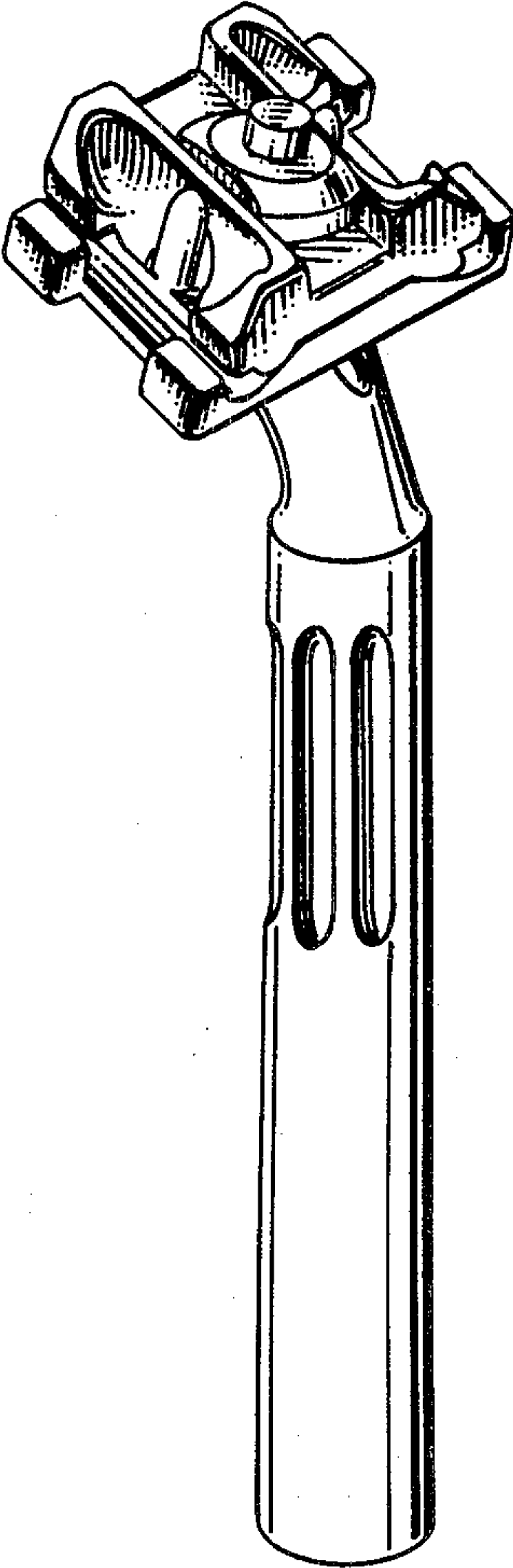


FIG. 1

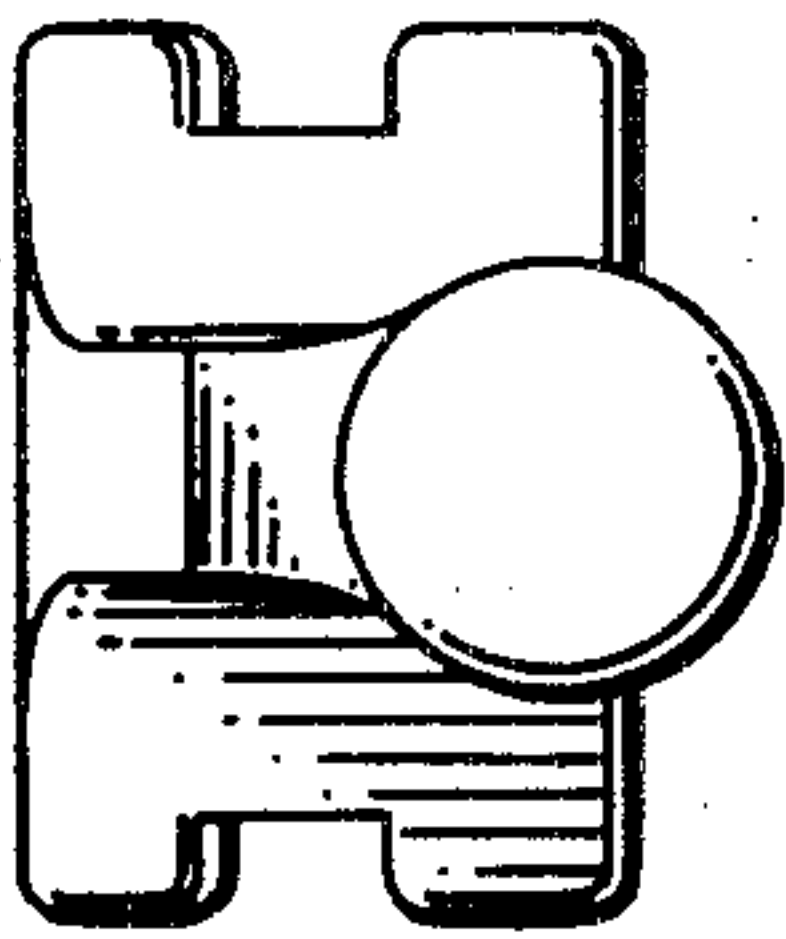


FIG. 6

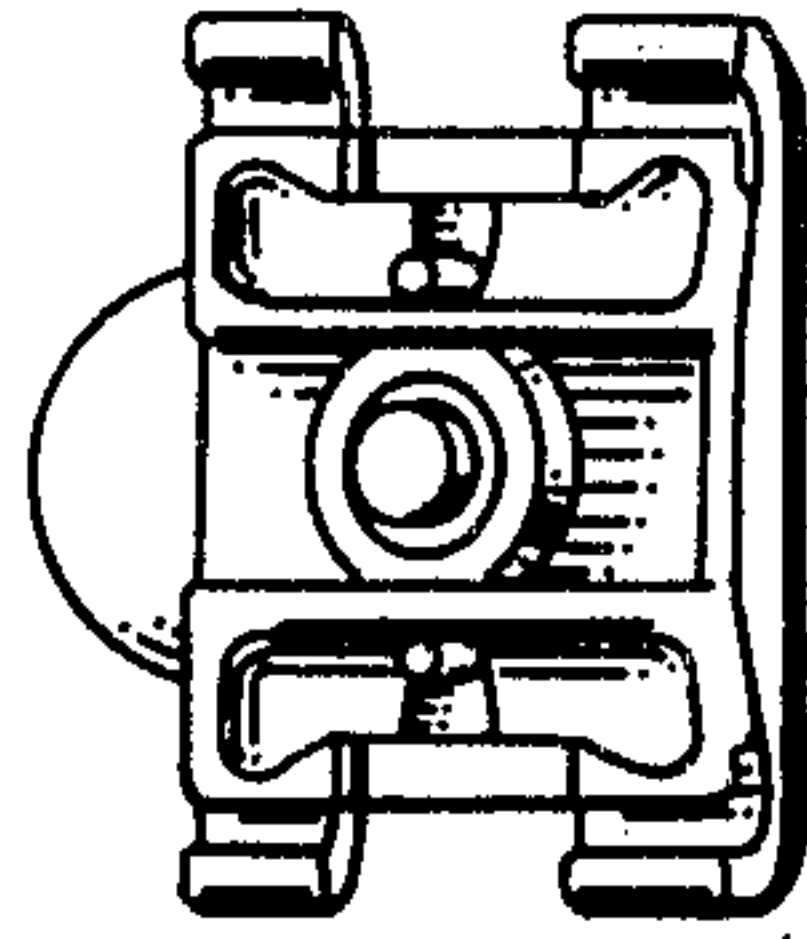


FIG. 7

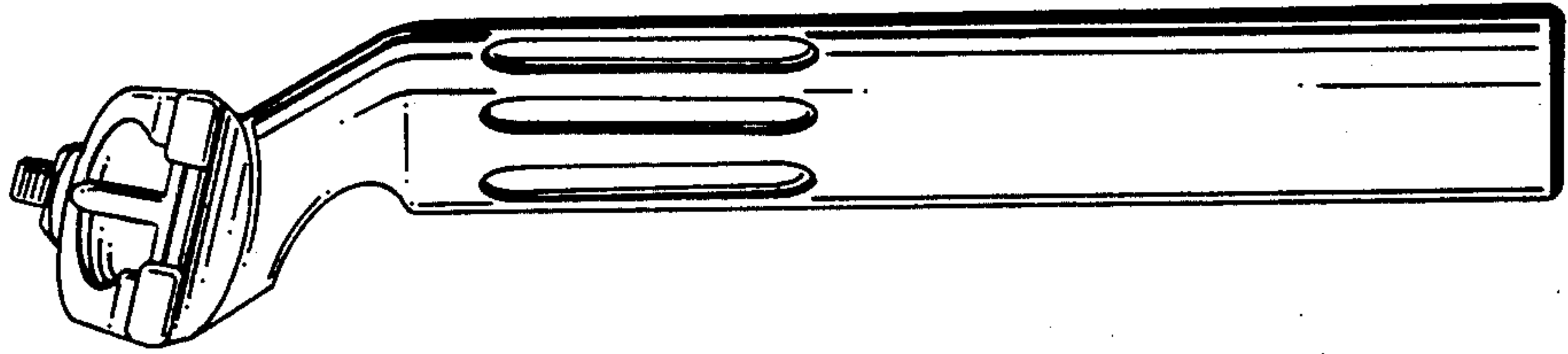


FIG. 5

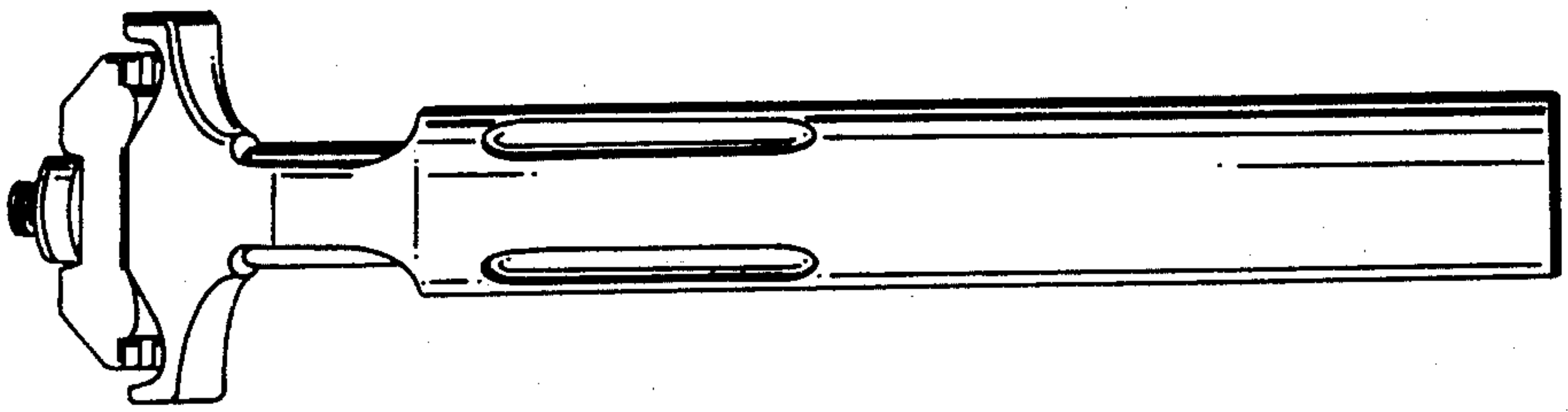


FIG. 4

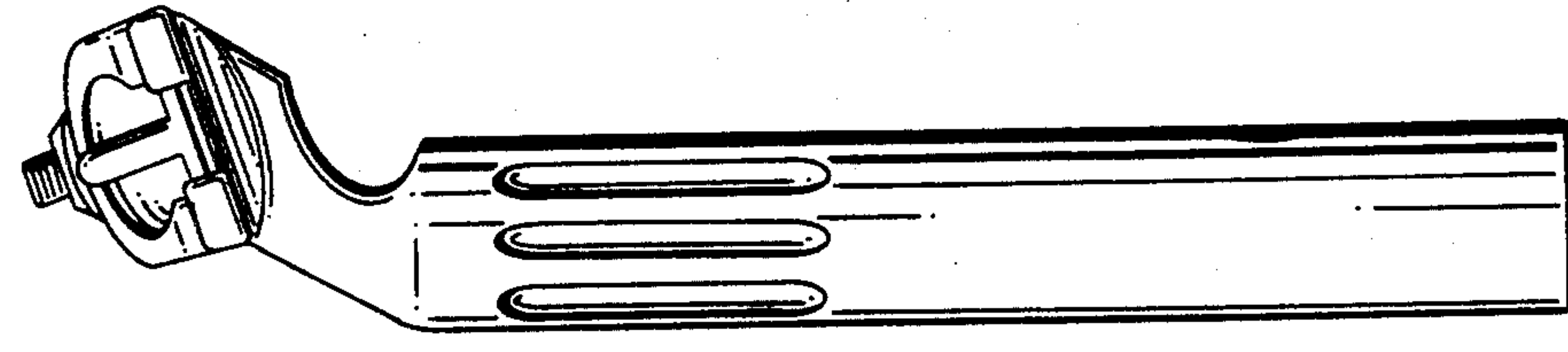


FIG. 3

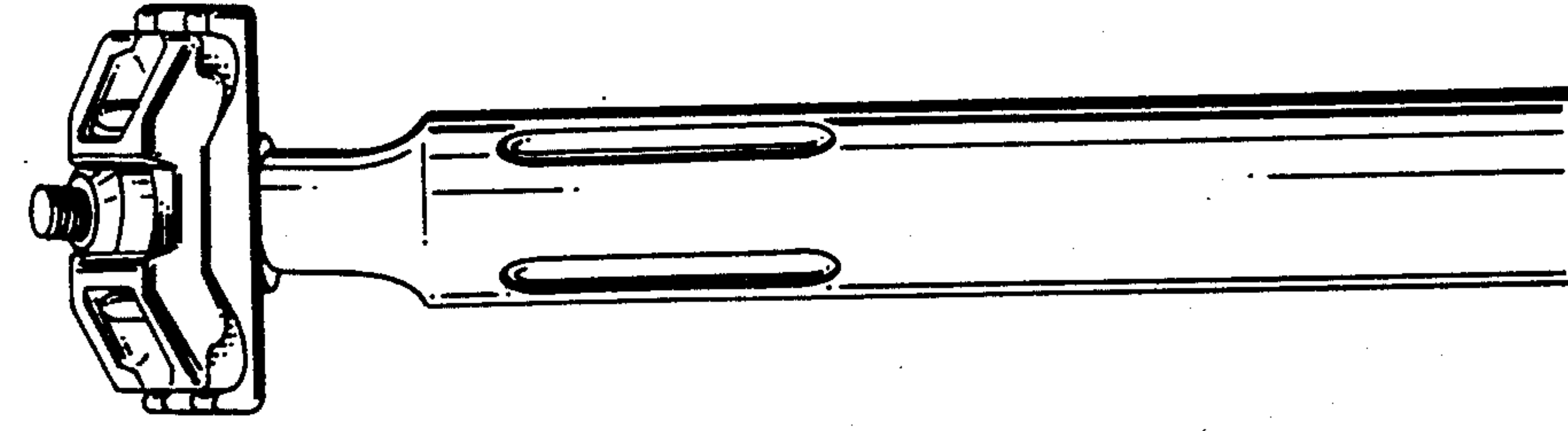


FIG. 2