

[54] TELEPHONE LINE TEST LIGHT OR SIMILAR APPARATUS

[75] Inventor: Robert P. Romano, Glen Ridge, N.J.

[73] Assignee: Comus International, Inc., Nutley, N.J.

[**] Term: 14 Years

[21] Appl. No.: 599,814

[22] Filed: Apr. 13, 1984

[52] U.S. Cl. D10/78

[58] Field of Search D14/59-61; D10/75, 78, 103, 96; 324/72.5, 115, 149, 156, 158 P; 179/175.25, 175.3 R, 175.3 F

[56]

References Cited

U.S. PATENT DOCUMENTS

- D. 262,738 1/1982 Sugawara et al. D10/96
- D. 280,389 9/1985 Austin D10/78
- 3,281,660 10/1966 Studenick D10/78 X

Primary Examiner—Louis S. Zarfaz
Attorney, Agent, or Firm—Arthur L. Plevy

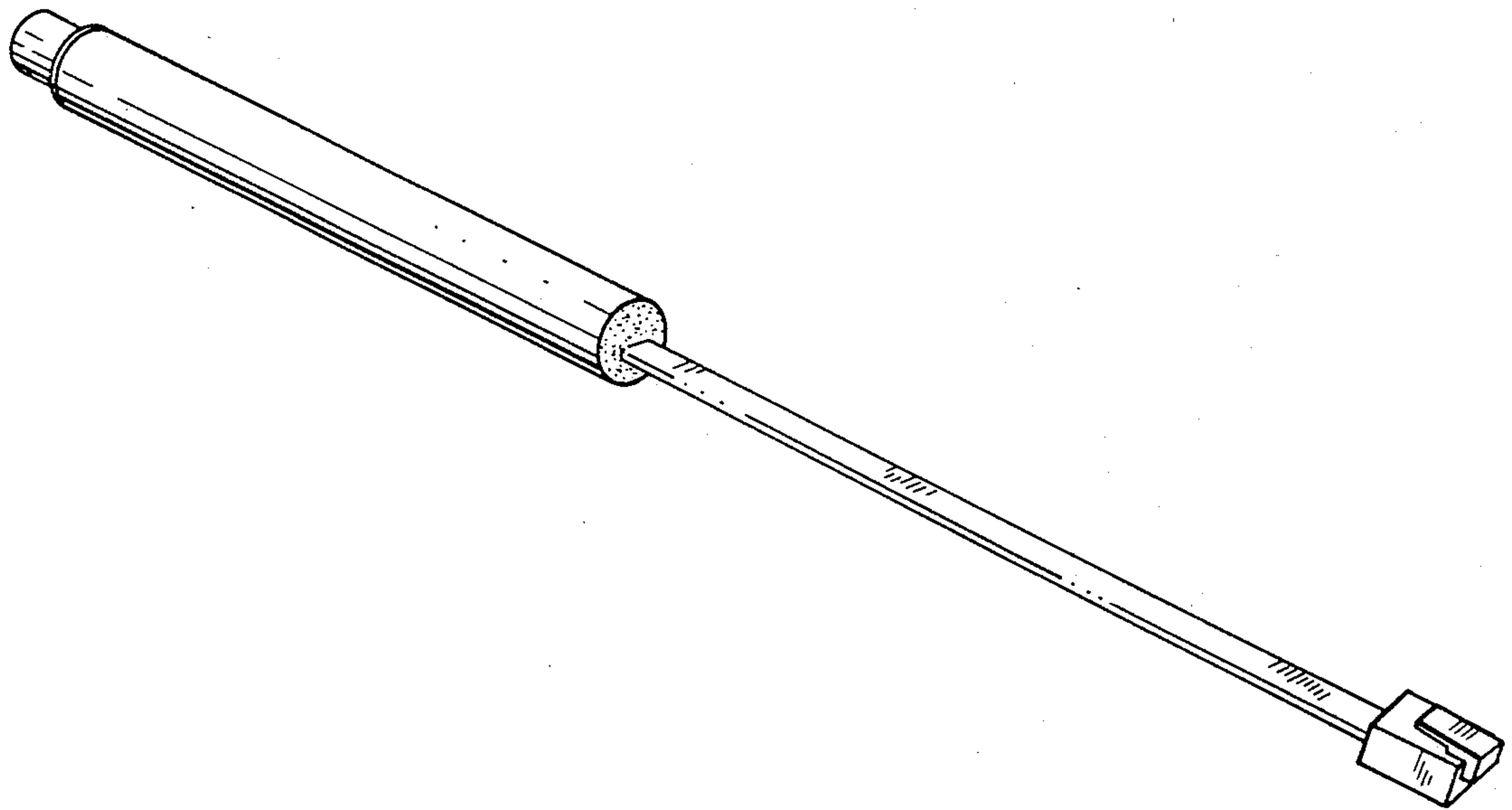
[57]

CLAIM

The ornamental design for a telephone line test light or similar apparatus, substantially as shown and described.

DESCRIPTION

FIG. 1 is a top left front perspective view of a telephone line test light or similar article showing my new design; FIG. 2 is a top rear right perspective view; and FIG. 3 is a bottom plan view.



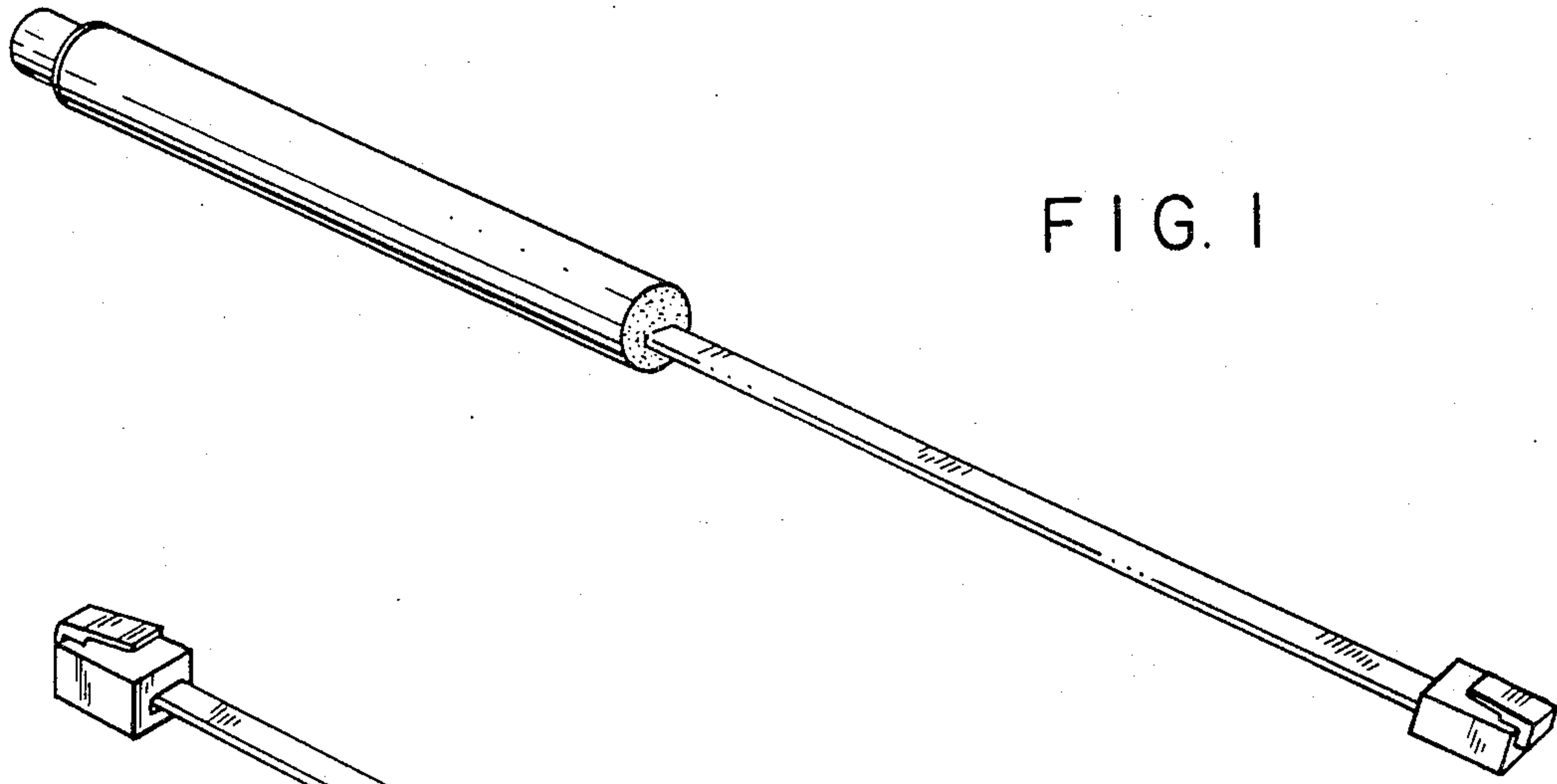


FIG. 1

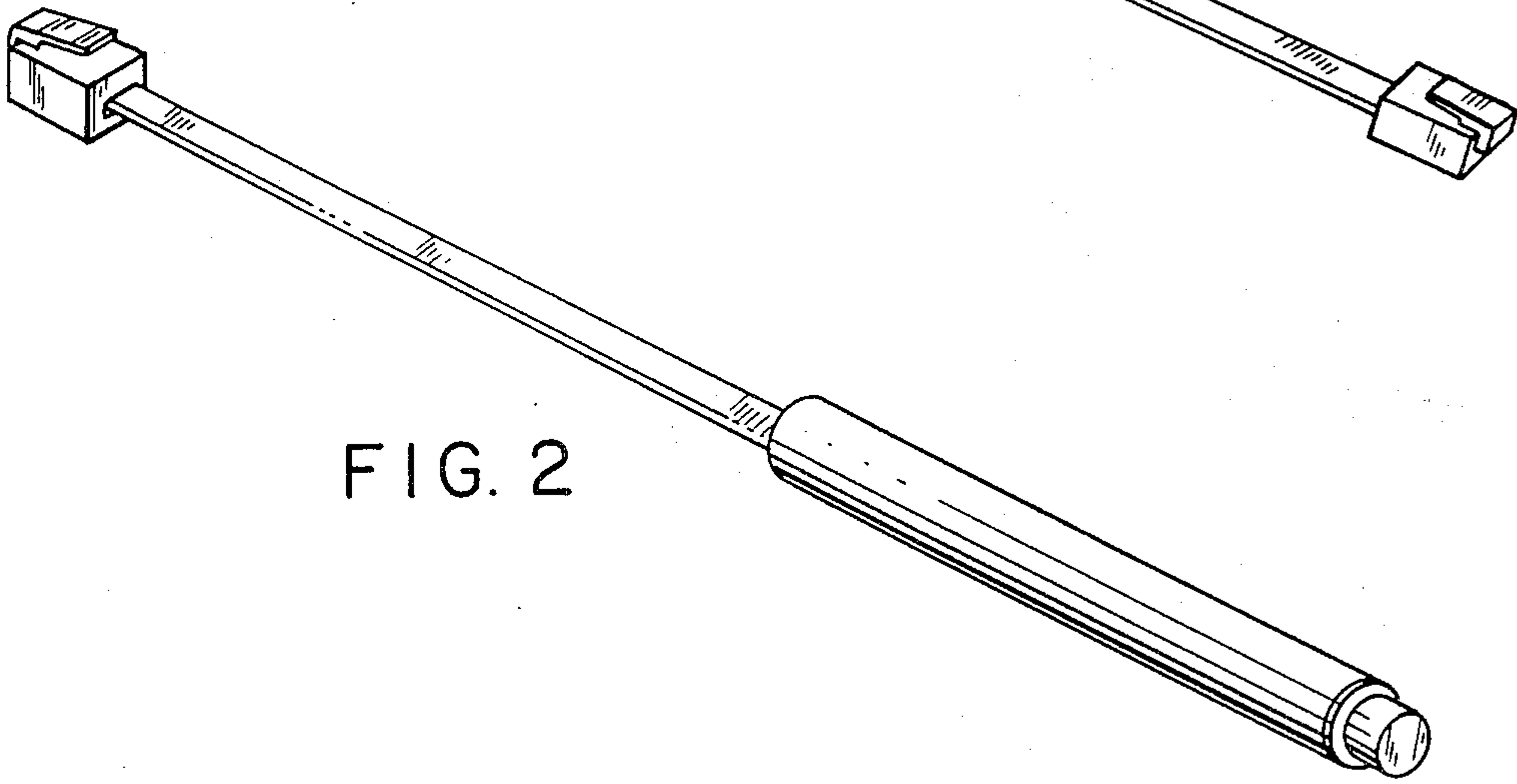


FIG. 2

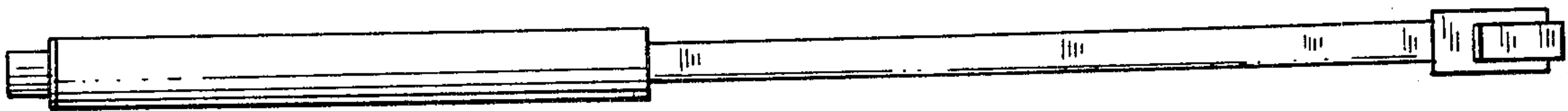


FIG. 3