

[54] REINFORCEMENT BAR SUPPORT CHAIR

[75] Inventor: John W. St. Alban, Adelaide, Australia

[73] Assignee: The Reinforcement Bar Spacer Co. Pty Ltd, Holden Hill, Australia

[\*\*] Term: 14 Years

[21] Appl. No.: 638,899

[22] Filed: Aug. 8, 1984

[30] Foreign Application Priority Data

Jun. 4, 1984 [AU] Australia ..... 7694/84

[52] U.S. Cl. .... D8/354

[58] Field of Search ..... D8/354, 356, 384; 52/685, 686, 687, 405, 684, 690, 693, 689

[56] References Cited

U.S. PATENT DOCUMENTS

- D. 223,701 5/1972 Lausch ..... D8/356
- D. 232,807 9/1974 Toner ..... D8/380
- D. 271,847 12/1983 Hernandez ..... D8/356
- 953,091 3/1910 Jones ..... 52/686
- 977,704 12/1910 Brownlee ..... 52/686

- 1,133,801 3/1915 Hough ..... 52/684
- 1,439,737 12/1922 Hough ..... 52/684
- 1,570,814 1/1926 Wooley, Jr. .... 52/687
- 2,070,577 2/1937 Bowman et al. .... 52/687
- 3,094,745 6/1963 Stoud ..... 52/687

FOREIGN PATENT DOCUMENTS

- 2419372 11/1979 France ..... 52/684
- 404154 6/1966 Switzerland ..... 52/686

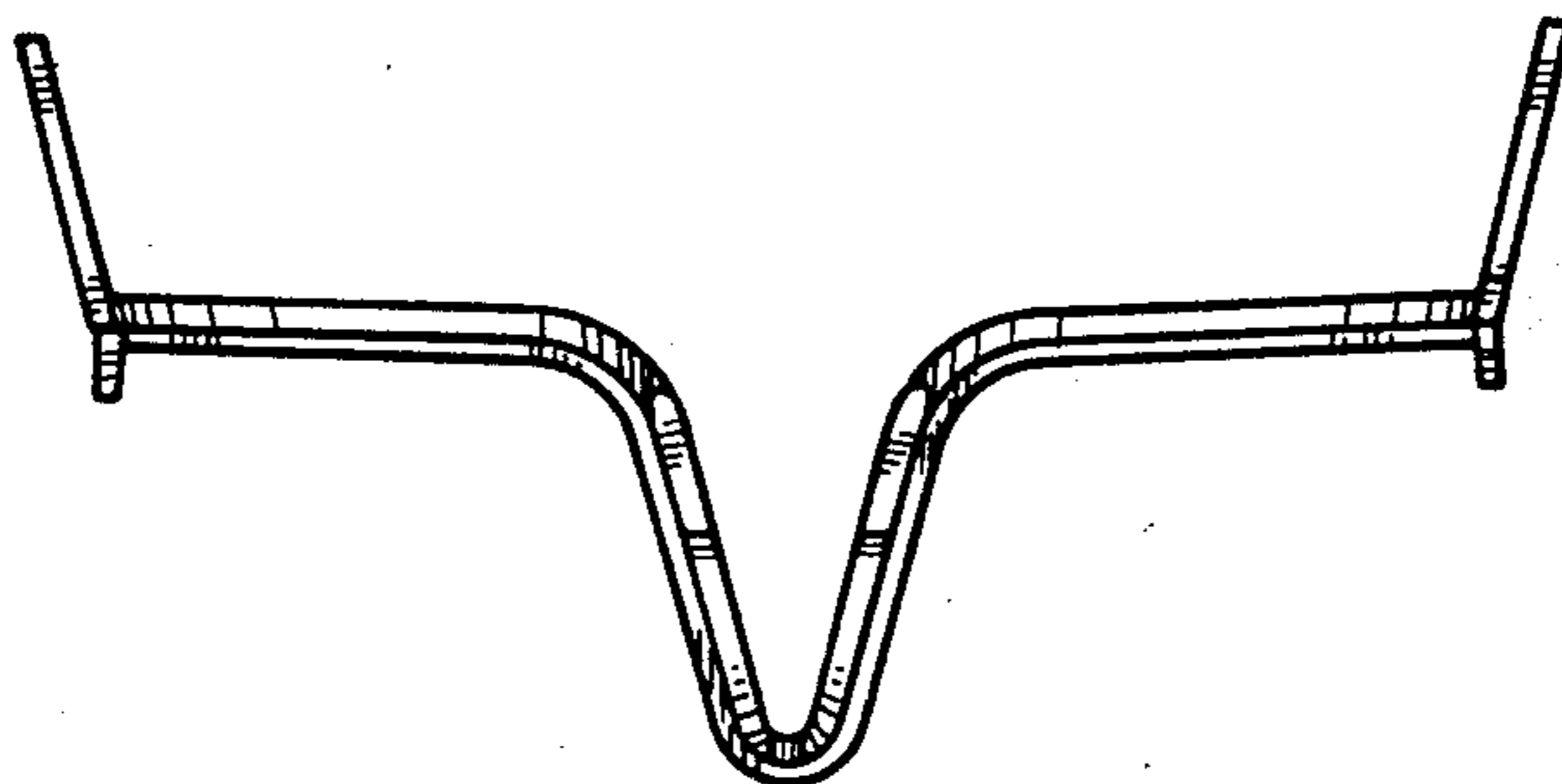
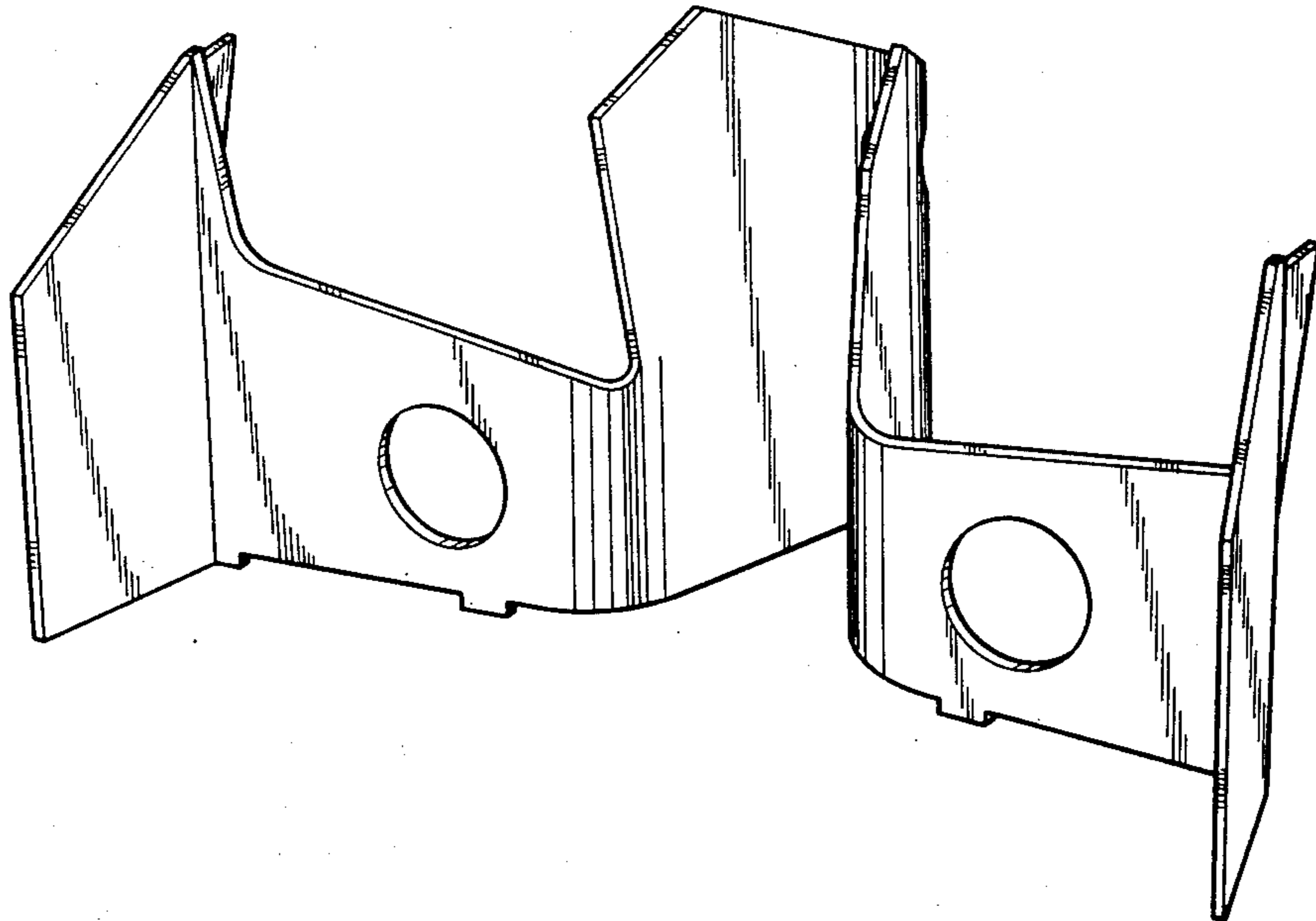
Primary Examiner—James M. Gandy  
Assistant Examiner—Horace B. Fay

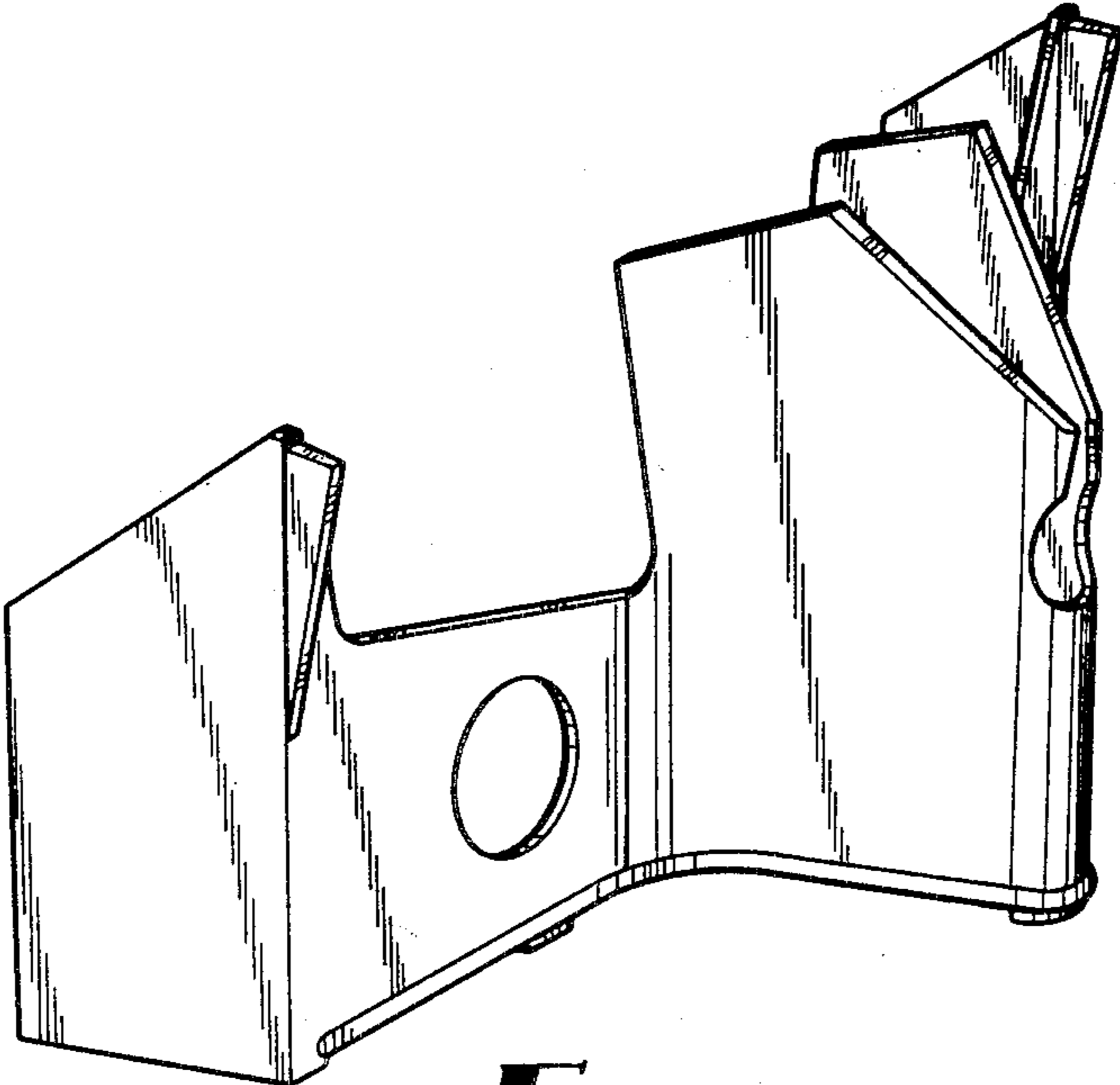
[57] CLAIM

The ornamental design for a reinforcement bar support chair, substantially as shown and described.

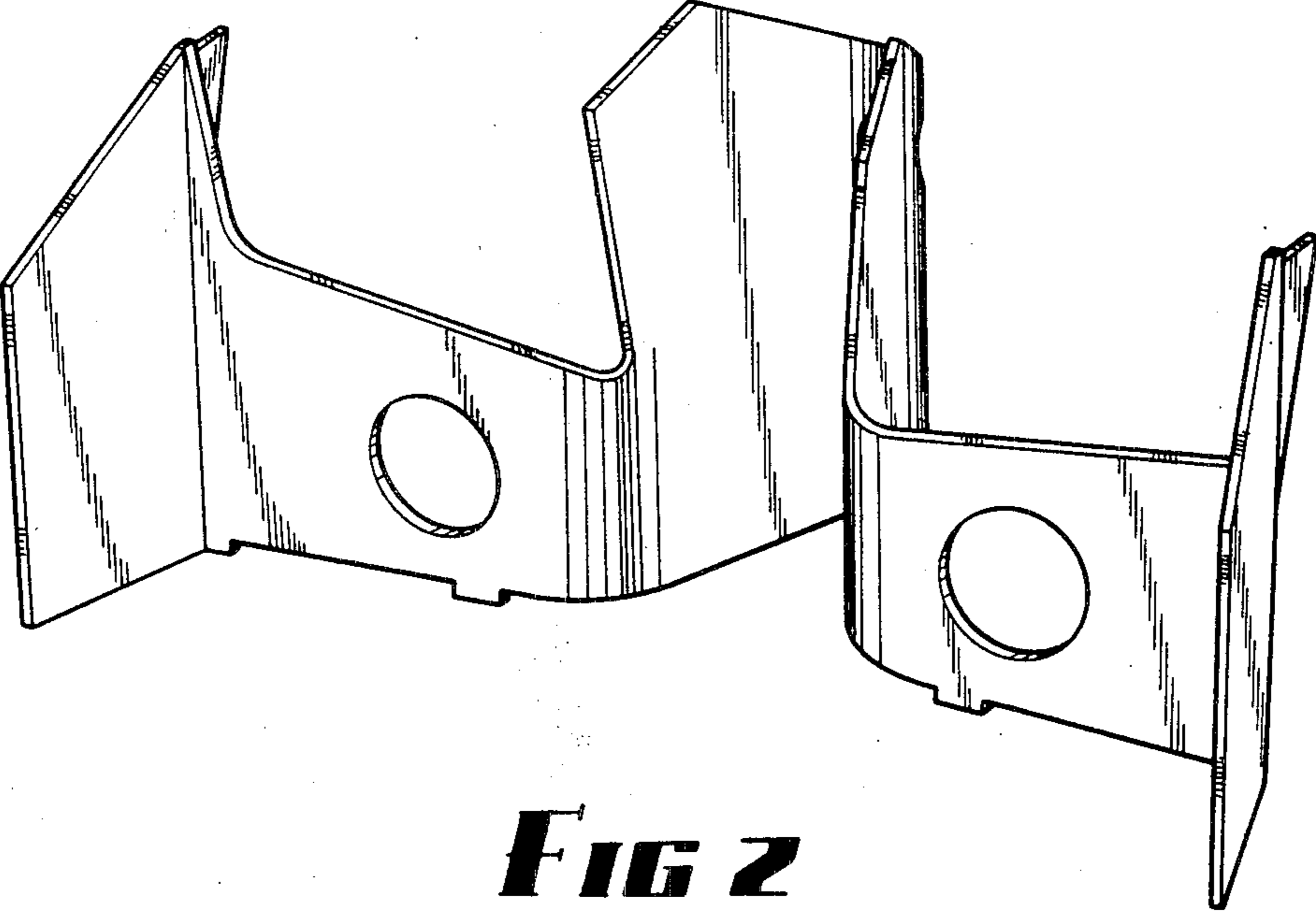
DESCRIPTION

FIG. 1 is a left side, top and partial front perspective view of a reinforcement bar support chair showing my new design;  
 FIG. 2 is a rear perspective view thereof;  
 FIG. 3 is a front elevational view thereof;  
 FIG. 4 is a top plan view thereof;  
 FIG. 5 is a rear elevational view thereof; and  
 FIG. 6 is a left side elevational view thereof, the side opposite being a mirror image.

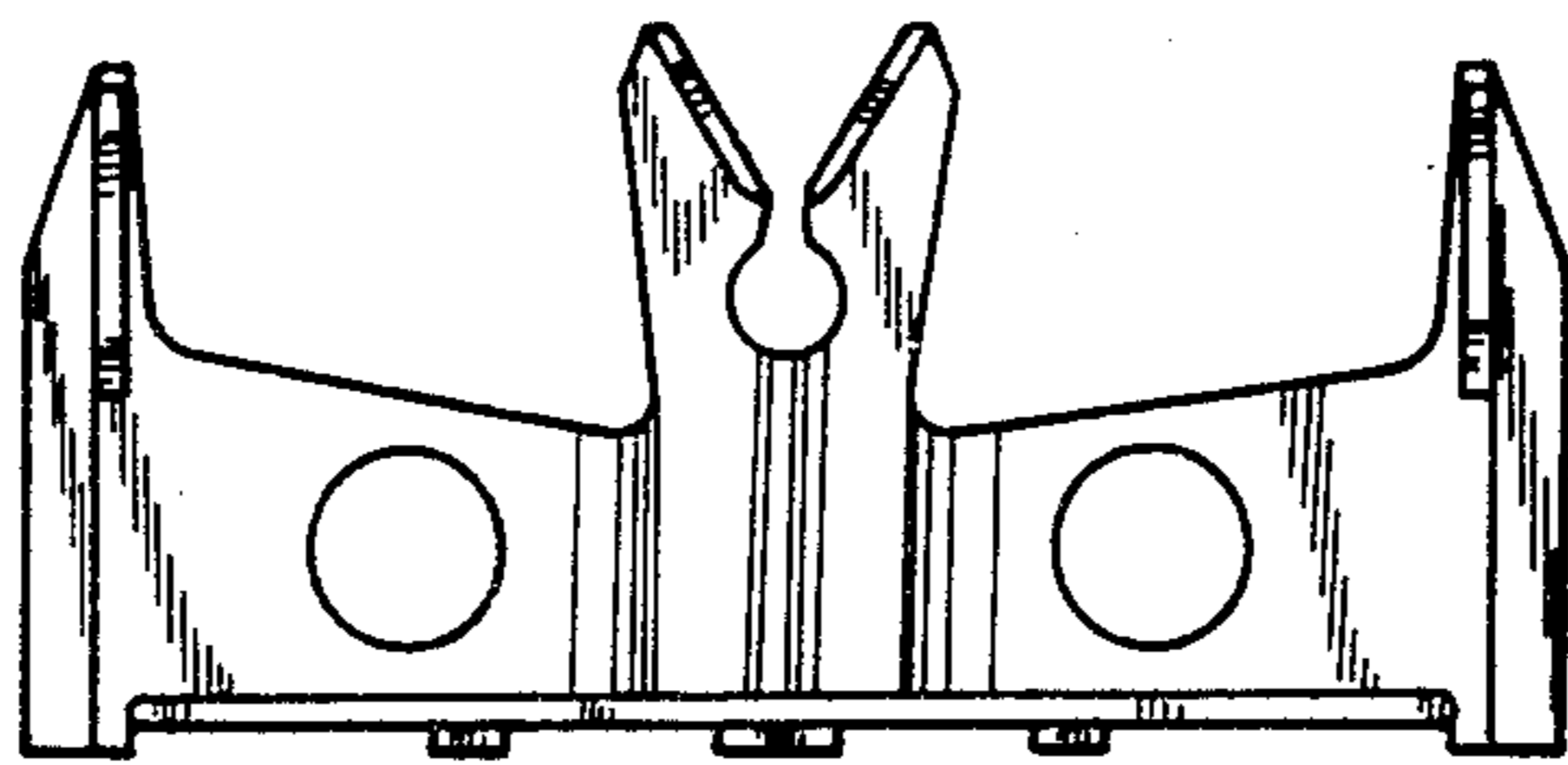




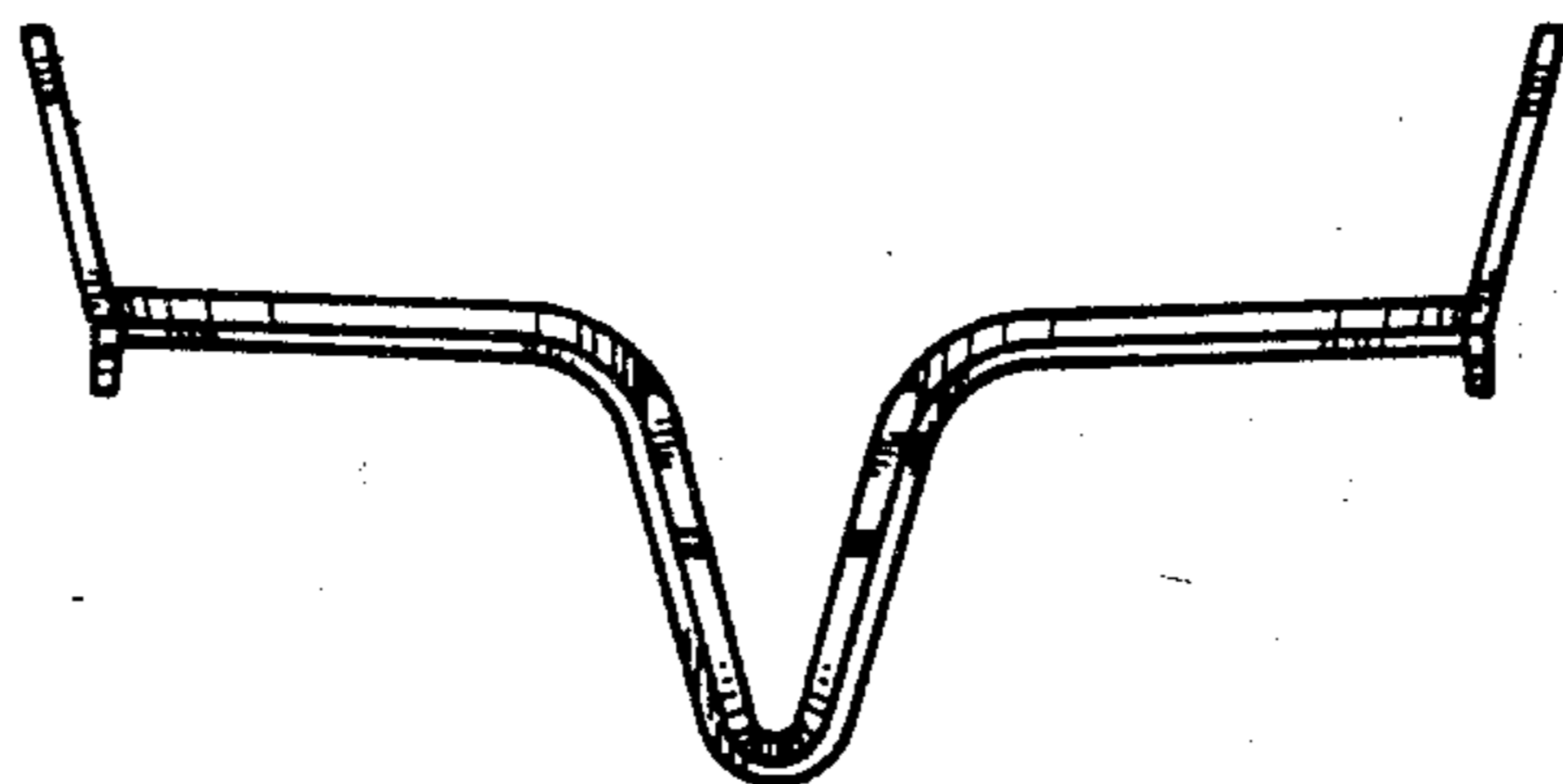
**FIG 1**



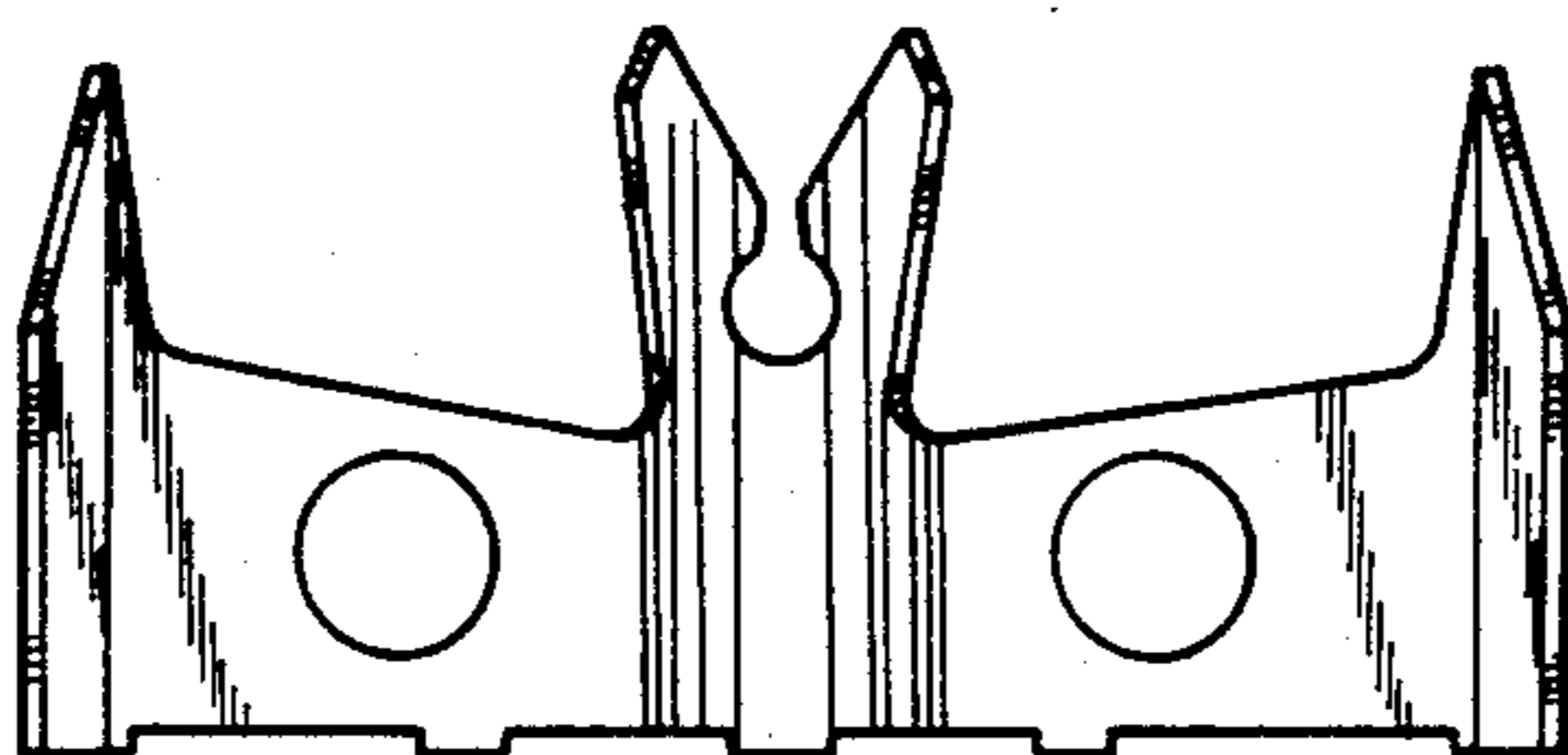
**FIG 2**



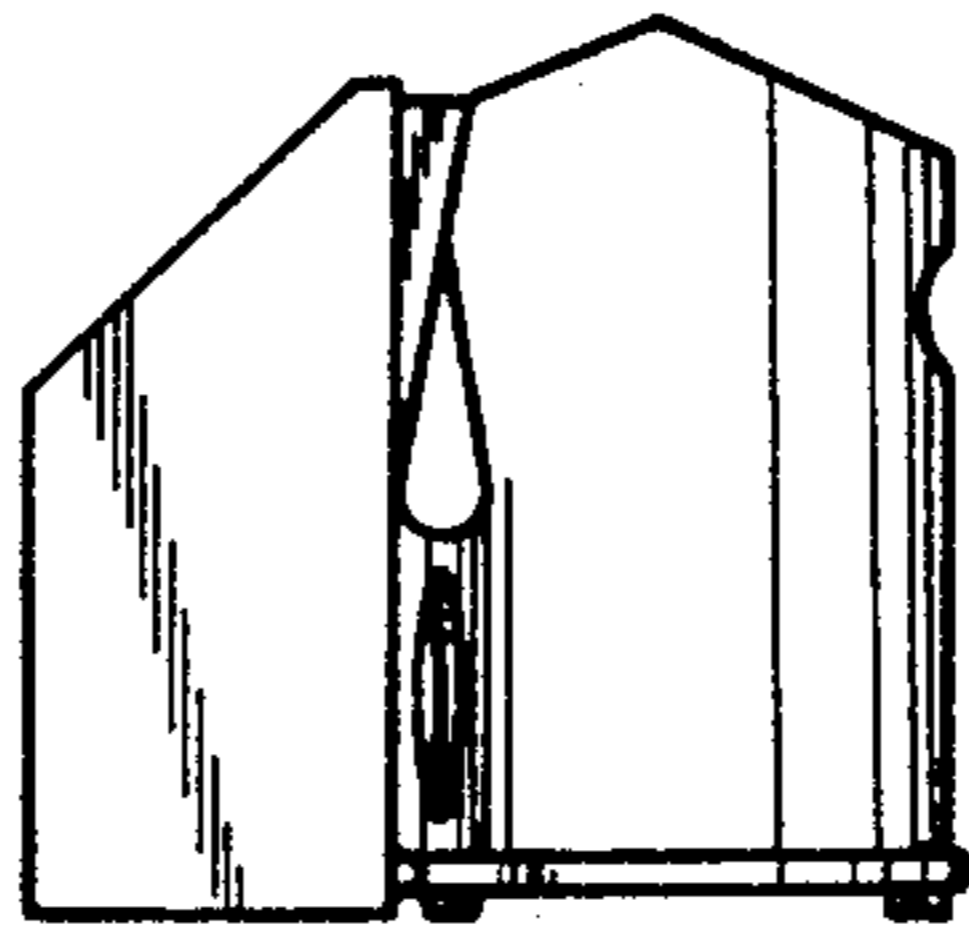
**FIG 3**



**FIG 4**



**FIG 5**



**FIG 6**