

[54] **DRILL CLAMP**

[75] **Inventor: Leo Klapperich, Wehr, Fed. Rep. of Germany**

[73] **Assignee: Werkzeug GmbH, Bundesrepublik, Fed. Rep. of Germany**

[**] **Term: 14 Years**

[21] **Appl. No.: 624,998**

[22] **Filed: Jun. 26, 1984**

[30] **Foreign Application Priority Data**

Feb. 8, 1984 [DE] Fed. Rep. of Germany ... 5 MR 255
[52] **U.S. Cl. D8/72; D8/70; D15/140**

[58] **Field of Search D8/70-74; D15/140; 408/72; 279/1 T, 1 S**

[56] **References Cited**

U.S. PATENT DOCUMENTS

D. 30,321 3/1899 Smith D8/71
D. 141,995 8/1945 McCullough D15/140
D. 233,627 11/1974 Waddell D15/140

2,908,476 10/1959 Hidding D8/72 X

OTHER PUBLICATIONS

Browne & Sharpe Bulletin #SMT1174, Adjustable V—Jaw Tool Holder.

Primary Examiner—Susan J. Lucas

Assistant Examiner—C. E. Heflin

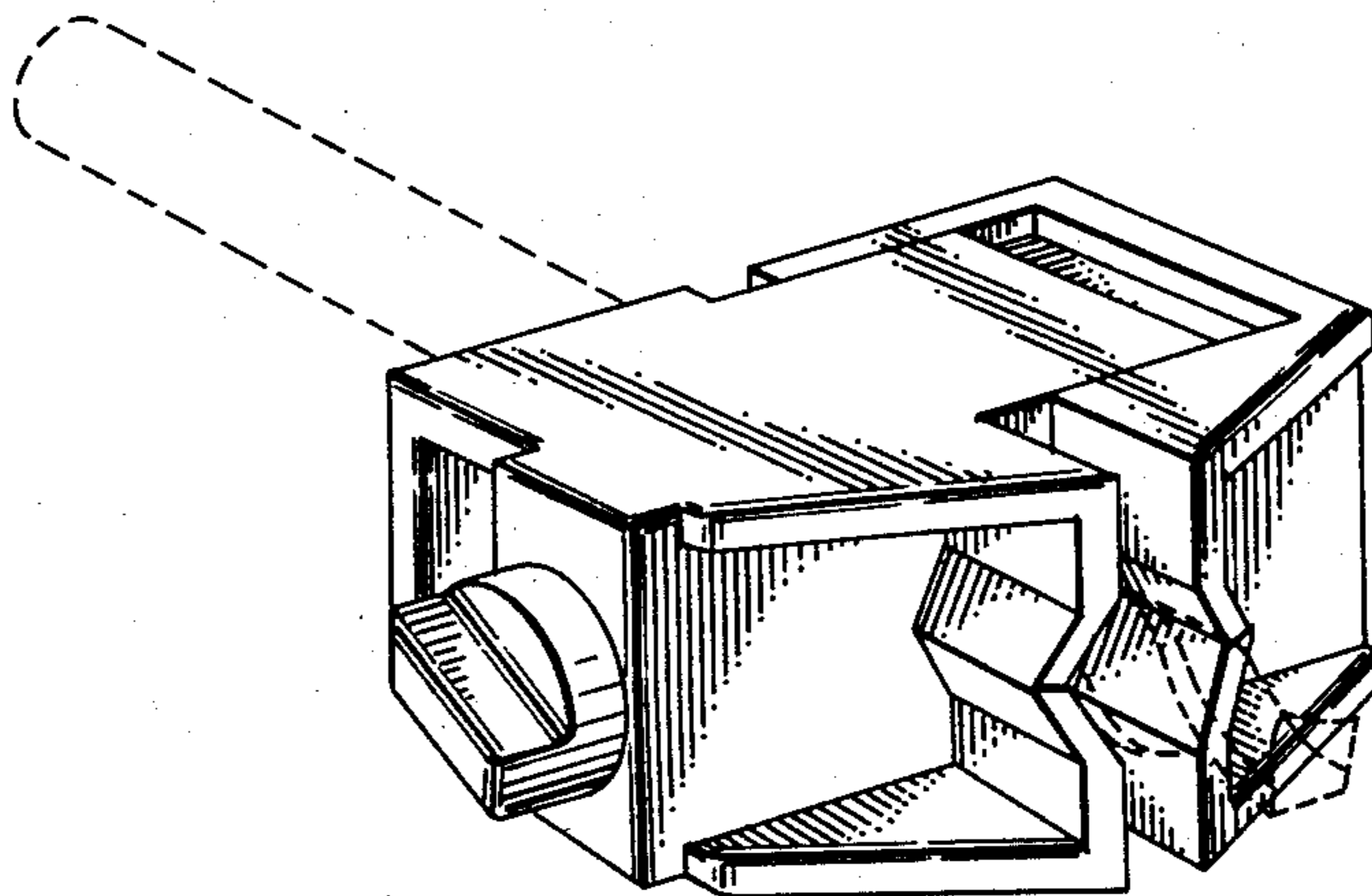
Attorney, Agent, or Firm—Antonelli, Terry & Wands

[57] **CLAIM**

The ornamental design for a drill clamp, as shown and described.

DESCRIPTION

FIG. 1 is a top perspective view of the drill clamp showing my new design, with the drill being shown in broken lines for illustrative purposes only; FIG. 2 is a bottom perspective view thereof; FIG. 3 is a side perspective view thereof; FIG. 4 is an opposite side perspective view thereof; FIG. 5 is a top perspective view thereof; FIG. 6 is a side elevational view thereof; FIG. 7 is a front elevational view thereof; FIG. 8 is a rear elevational view thereof; FIG. 9 is a top plan view thereof.



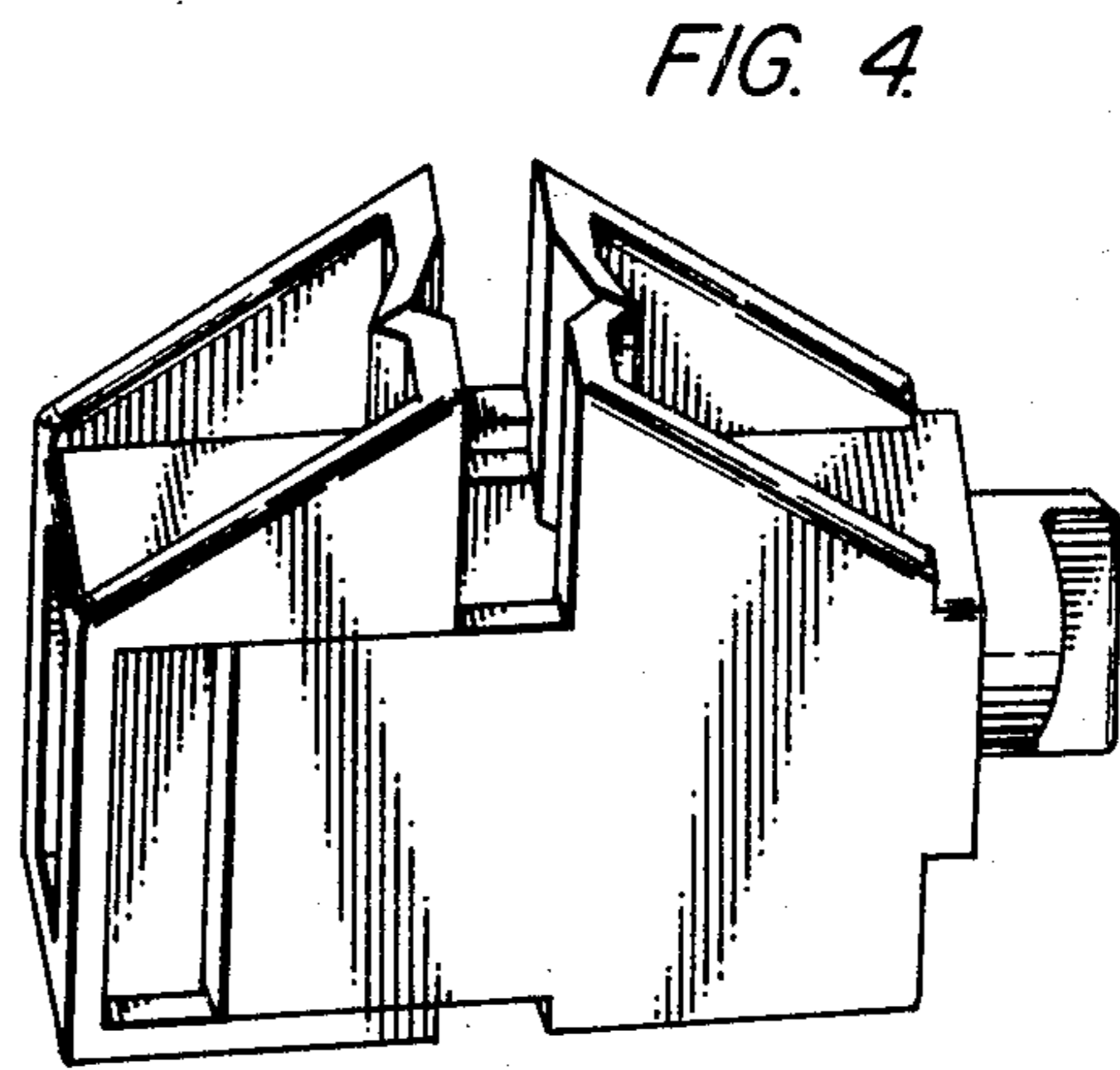
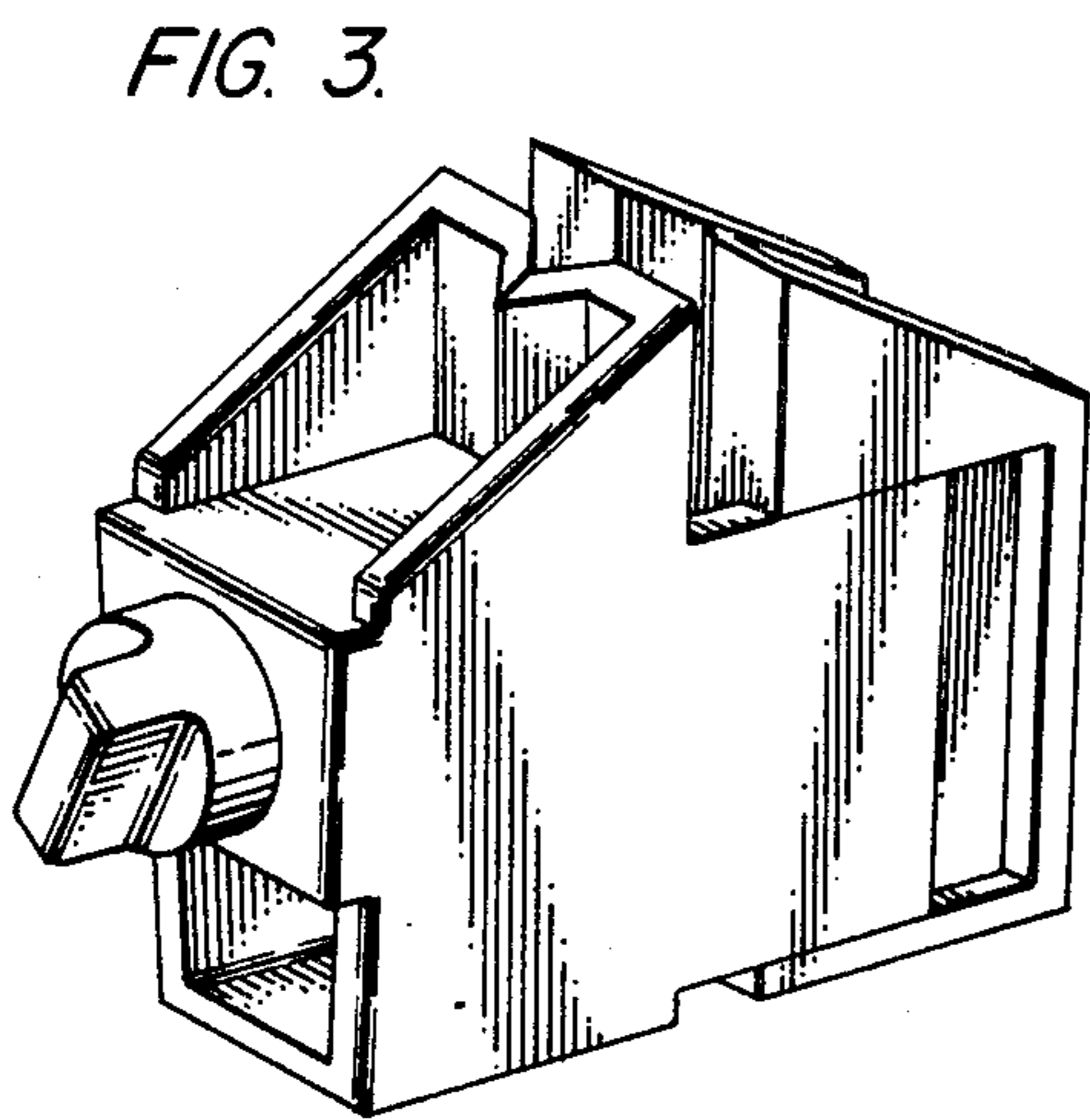
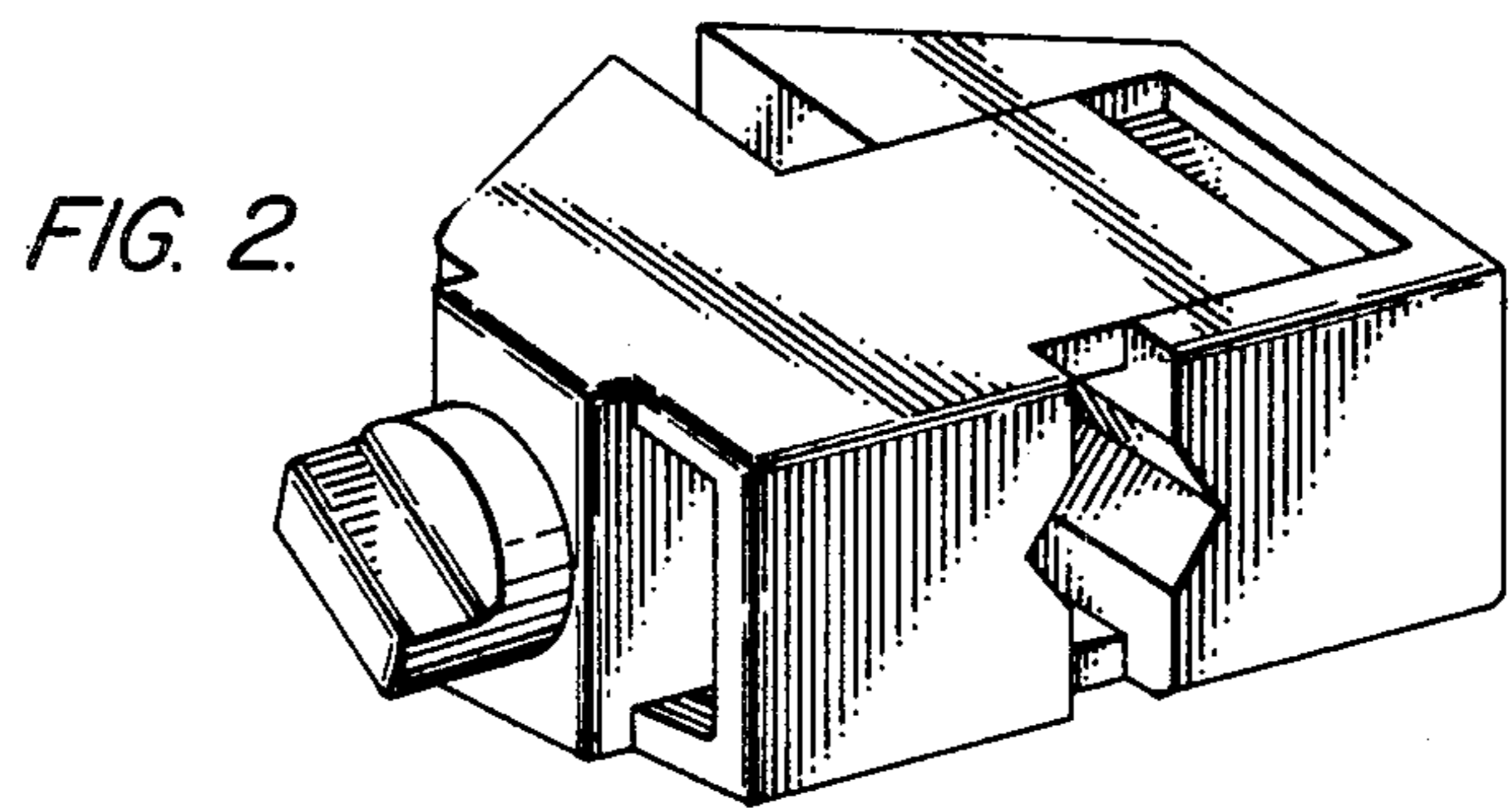
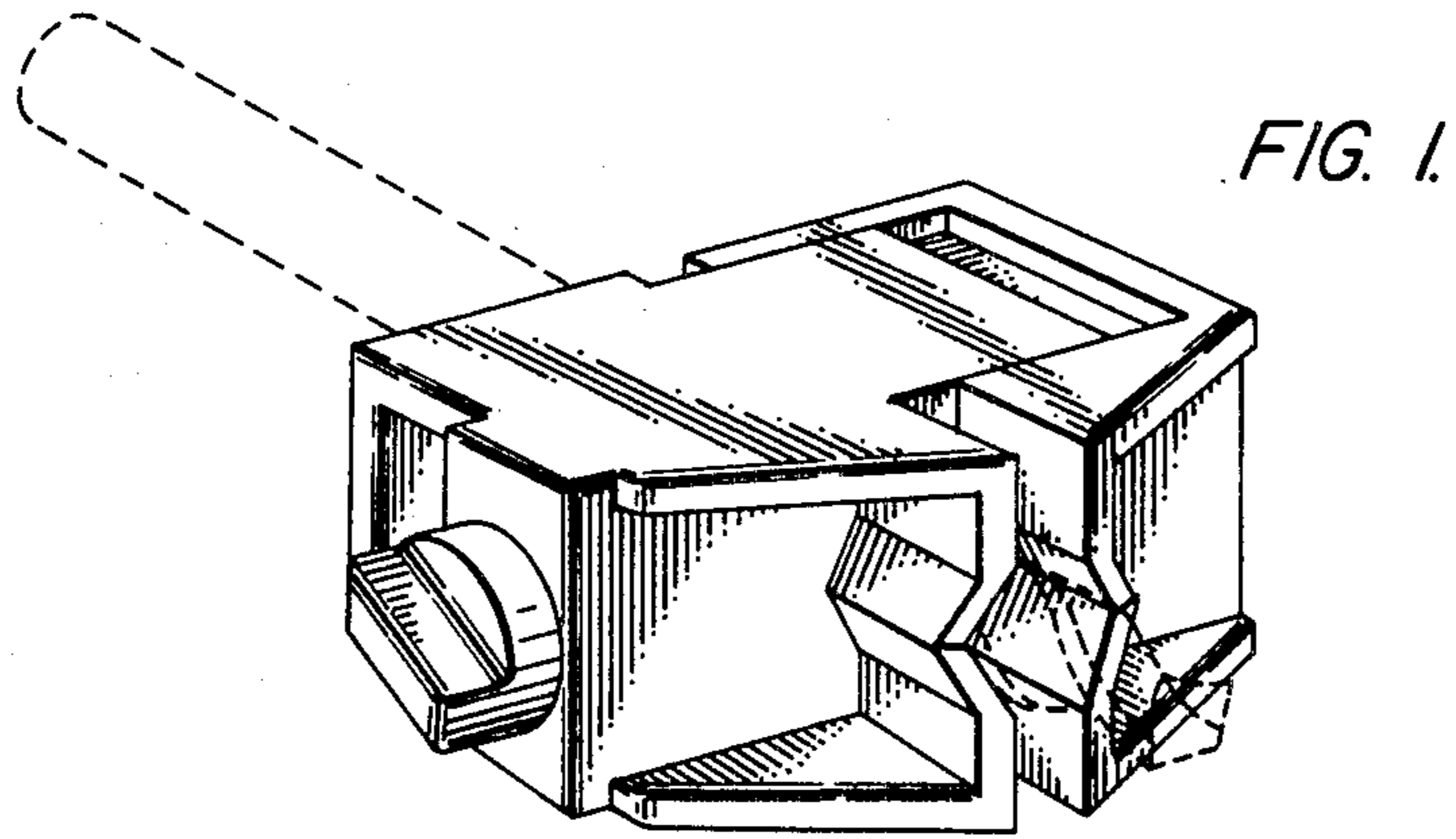


FIG. 5.

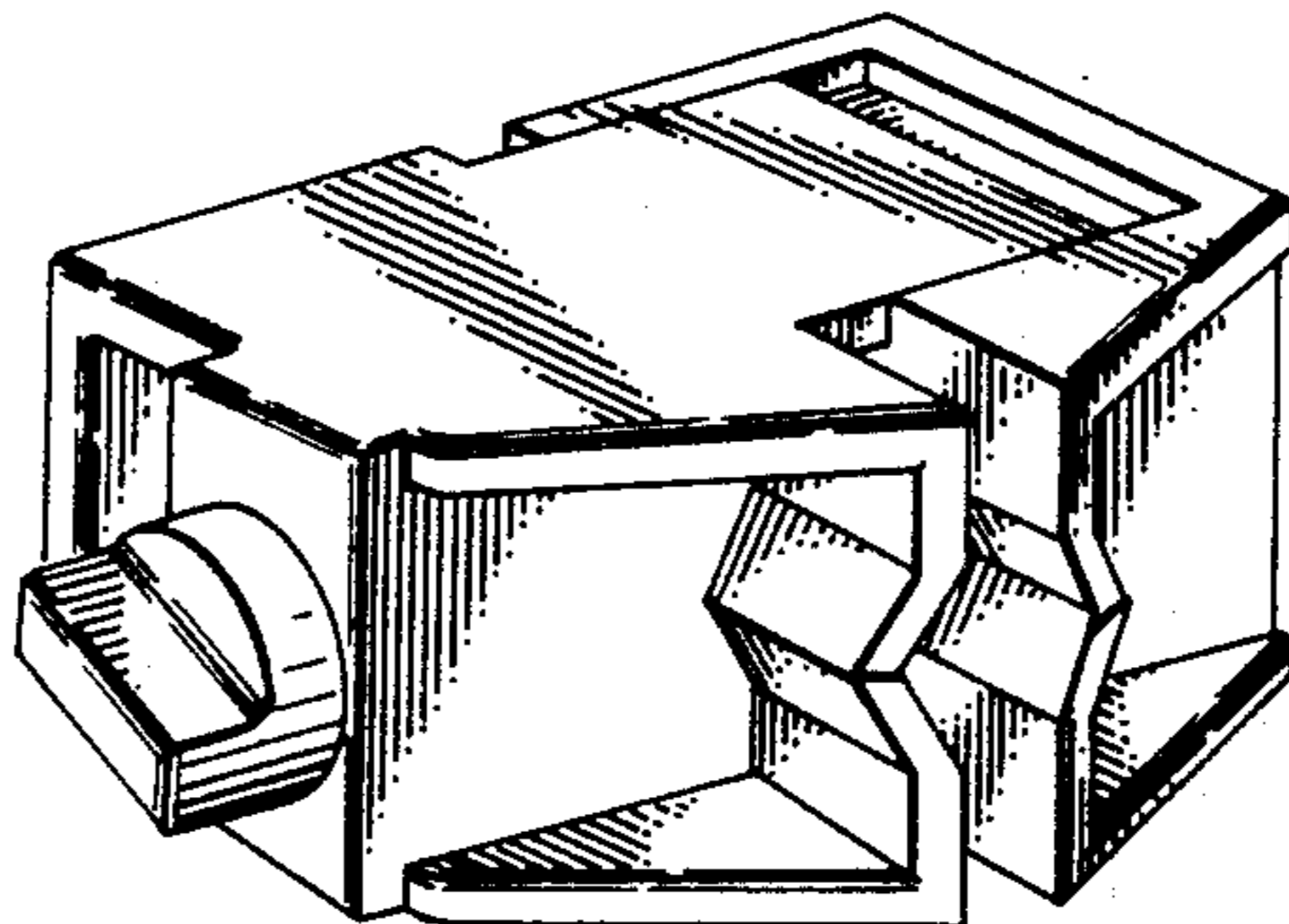


FIG. 7.

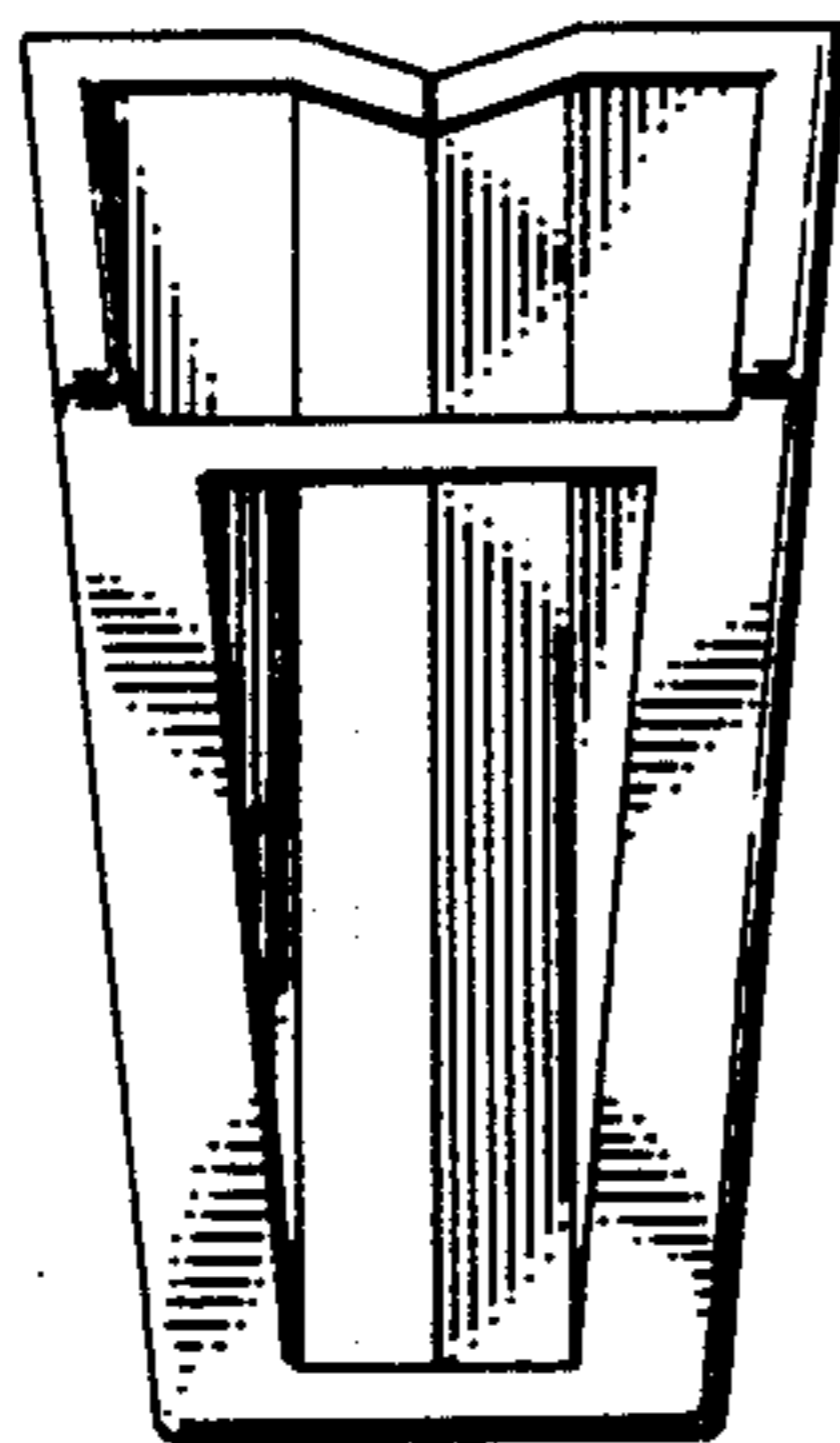


FIG. 6.

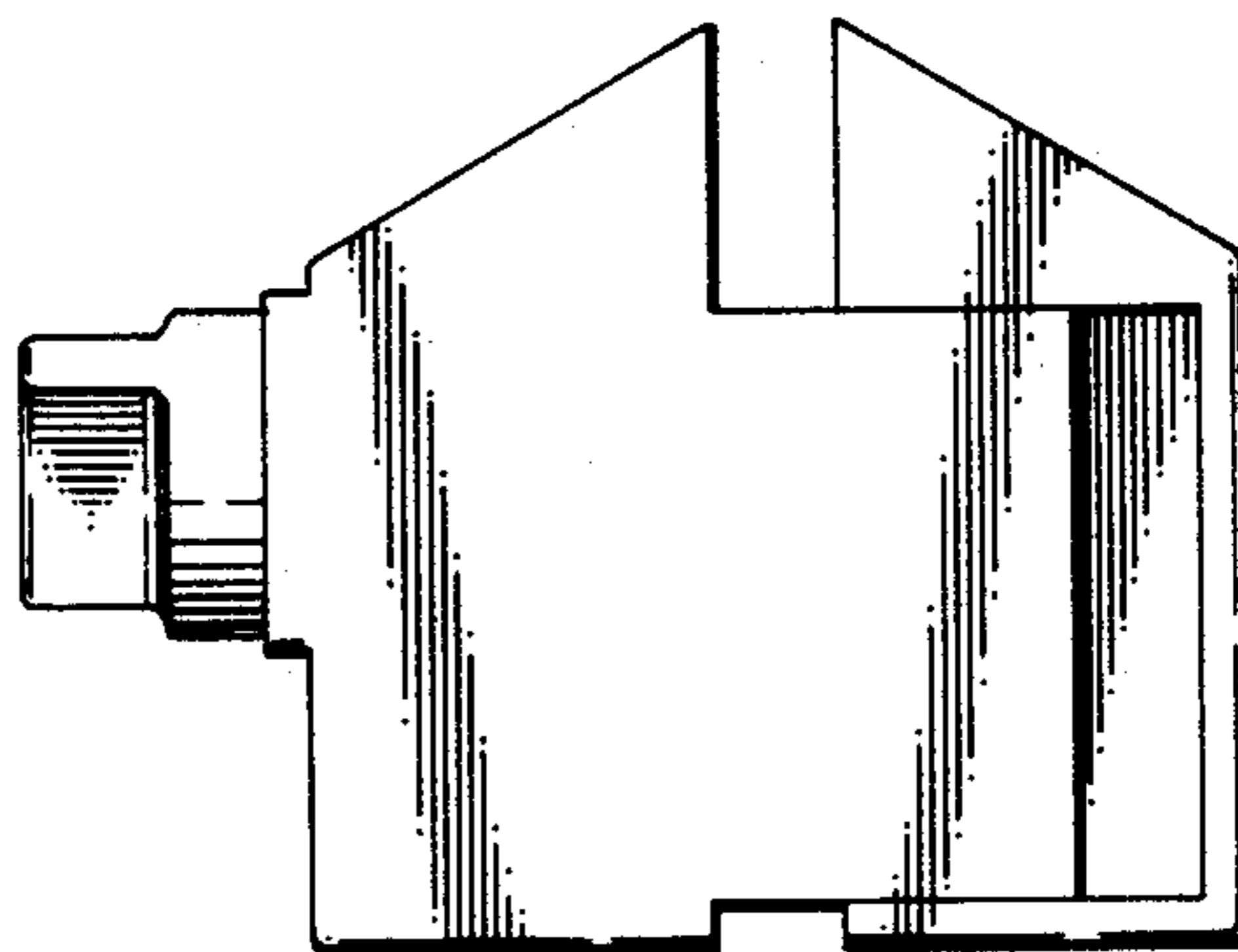


FIG. 8.

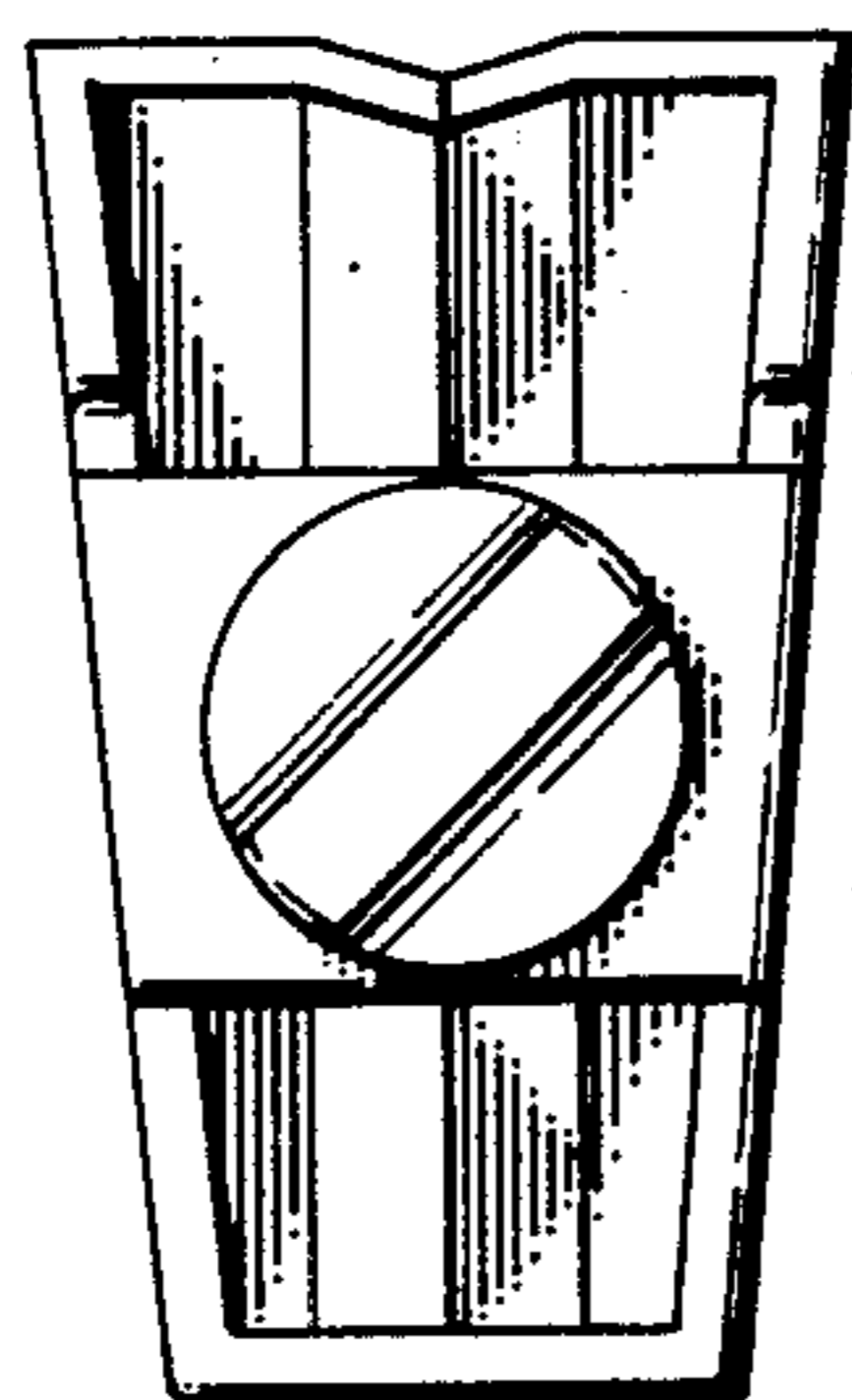


FIG. 9.

