

[54] MANUAL STAPLER

[75] Inventors: Robert I. Somers; Lawrence E. House, both of Raleigh, N.C.

[73] Assignee: Black & Decker, Inc., Newark, Del.

[**] Term: 14 Years

[21] Appl. No.: 595,605

[22] Filed: Apr. 2, 1984

[52] U.S. Cl. D8/49

[58] Field of Search D8/49, 50; 227/130, 227/132

[56] References Cited

U.S. PATENT DOCUMENTS

4,432,484 2/1984 Maestri 227/132 X

OTHER PUBLICATIONS

Wards Catalog, S/S80, p. 829, Stapler, Item 6 and 11.
Sears 1979-80 Catalogue of Power and Hand Tools,

cover and p. 48 showing heavy duty stapler, Catalogue No. 9HT6843 and nail gun, Catalogue No. 9HT68419. Sears Power and Hand Tools Catalogue—1984/85, cover and p. 27, showing Craftman manual stapler, Catalogue No. 9GT6843 (in lower right corner of page).

Primary Examiner—Bernard Ansher
Assistant Examiner—Terry Pfeffer
Attorney, Agent, or Firm—Finnegan, Henderson, Farabow, Garrett & Dunner

[57] CLAIM

The ornamental design for a manual stapler, as shown and described.

DESCRIPTION

FIG. 1 is a top plan view of a manual stapler showing our design;
FIG. 2 is a bottom plan view thereof;
FIG. 3 is a left side view thereof;
FIG. 4 is a right side view thereof;
FIG. 5 is an end view thereof;
FIG. 6 is an end view thereof; and
FIG. 7 is a perspective view thereof.

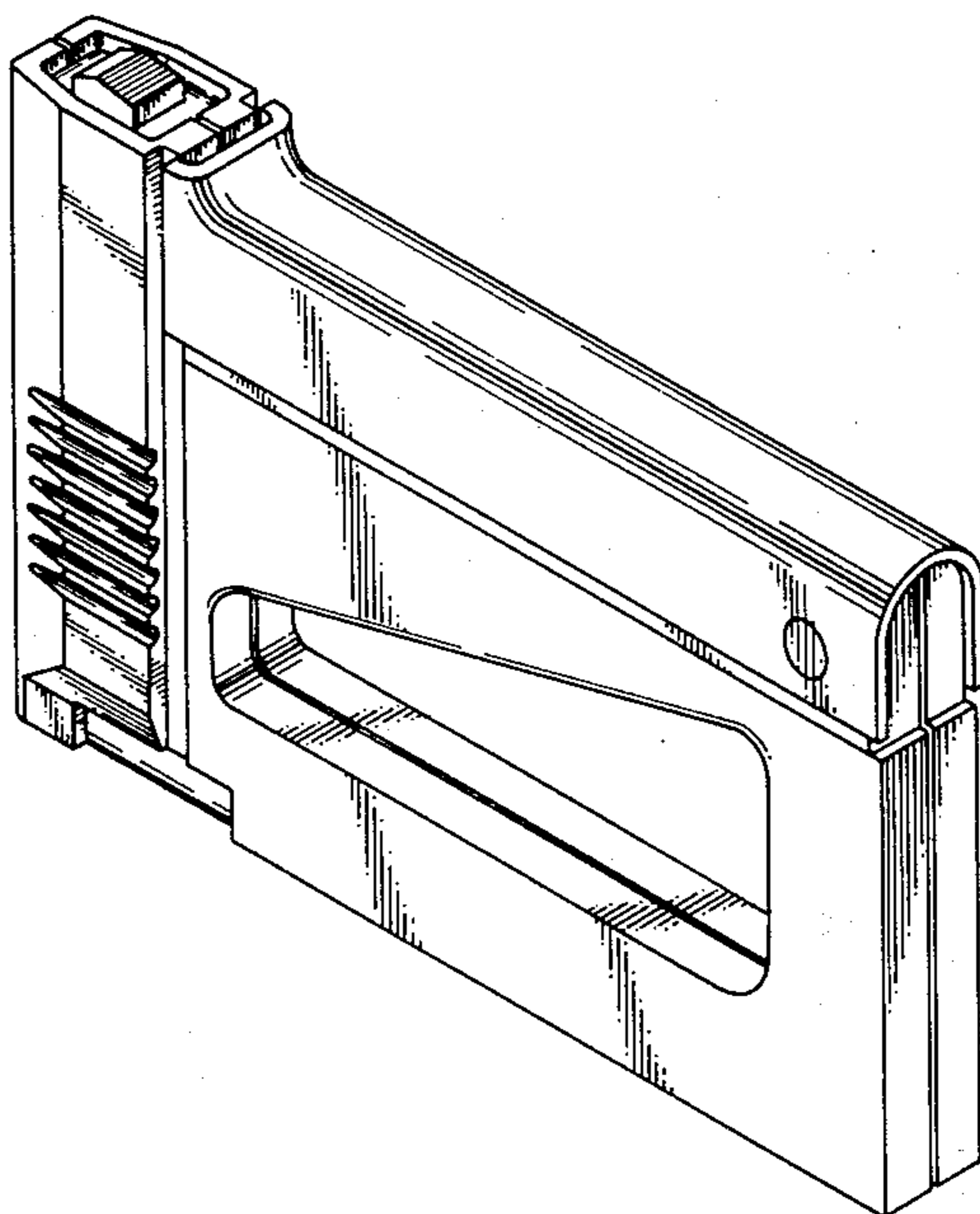


FIG. 1

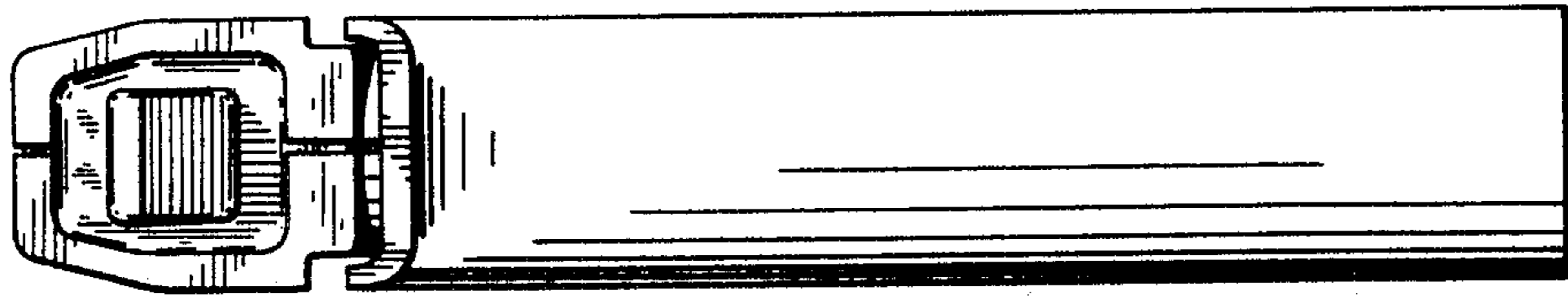


FIG. 2

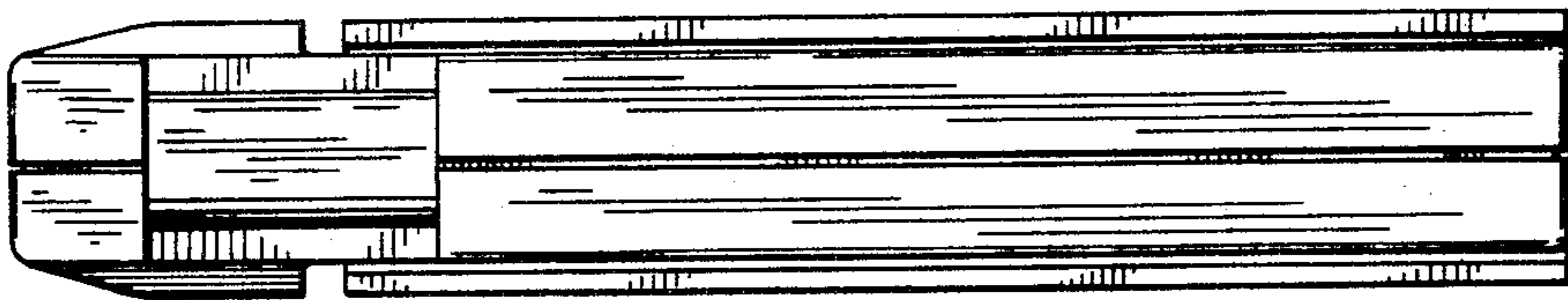


FIG. 5

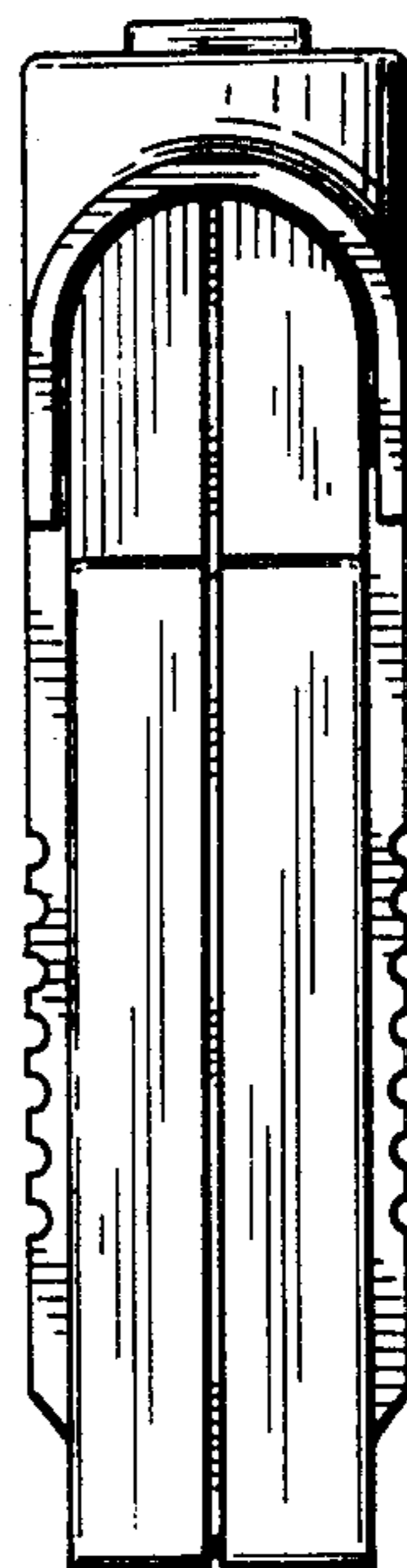


FIG. 6

FIG. 3

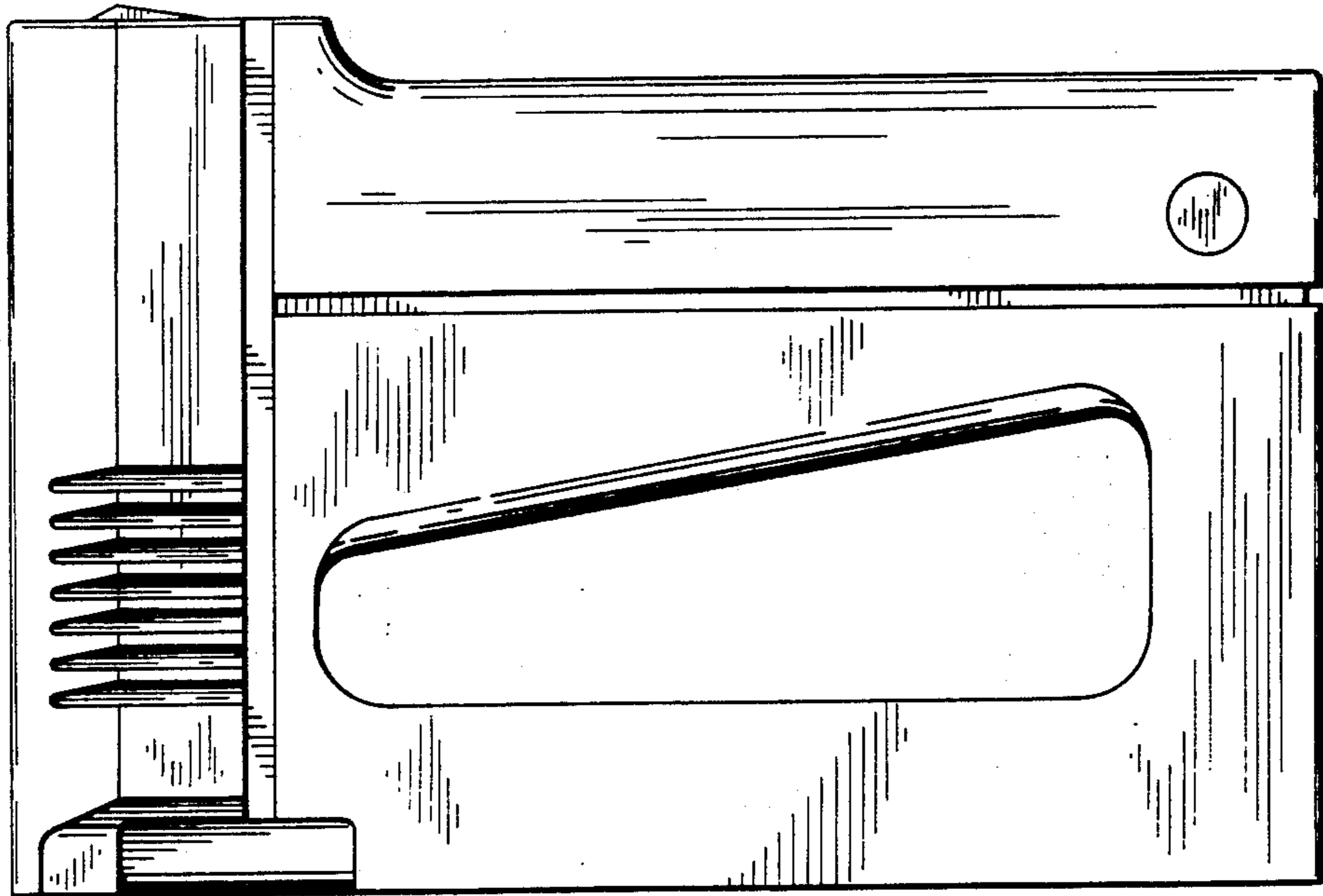


FIG. 4

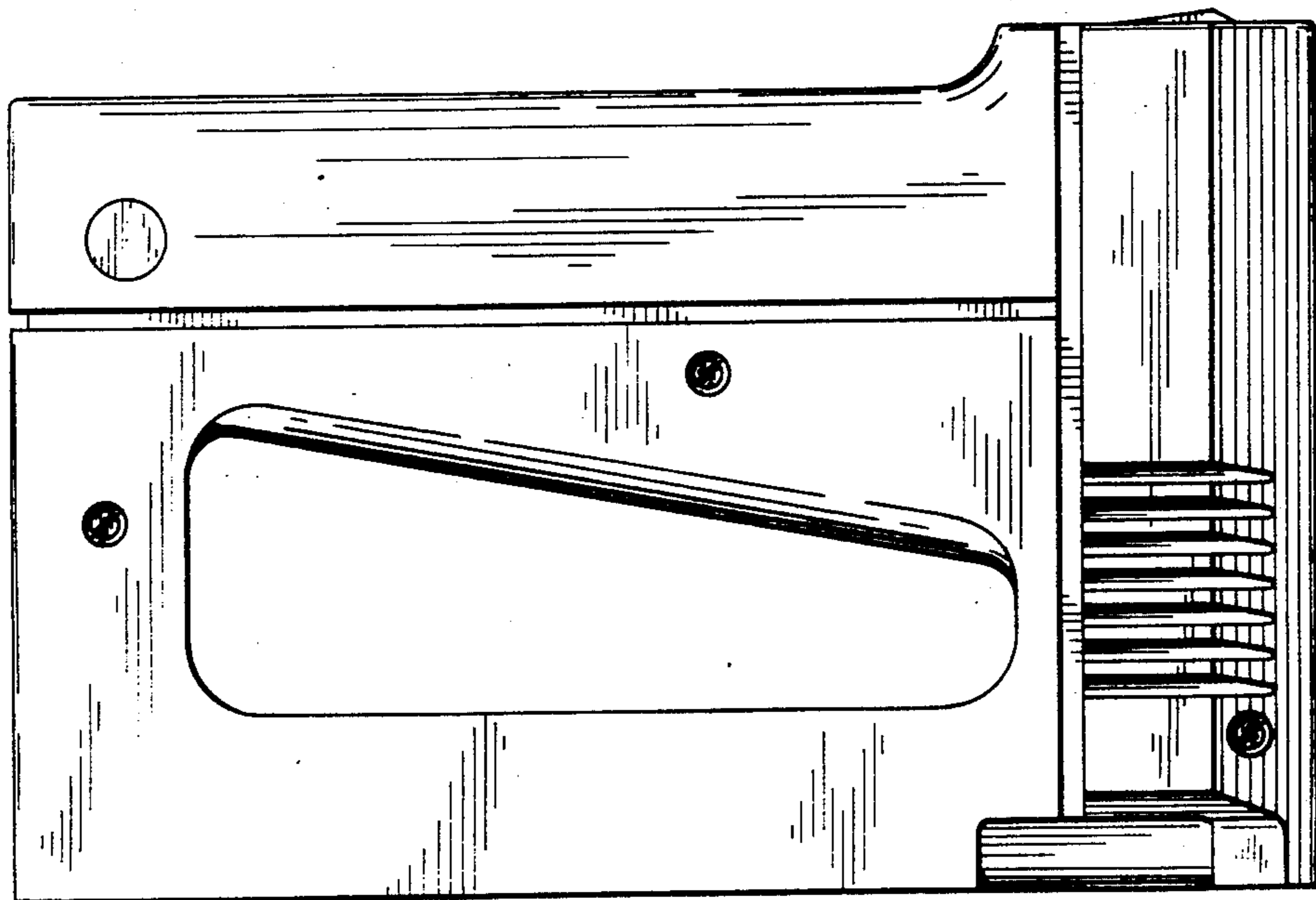


Fig. 7

