

[54] CAN OPENER

4,085,632 4/1978 Hogan et al. .... D8/37 X  
4,520,567 6/1985 Crawford ..... D8/36 X

[75] Inventors: Norman A. Steinkamp, La Grange Park; Richard K. Thomas, Elk Grove Village, both of Ill.

Primary Examiner—Bernard Ansher  
Assistant Examiner—Terry Pfeffer  
Attorney, Agent, or Firm—Neil M. Rose

[73] Assignee: John Zink Company, Tulsa, Okla.

[57] CLAIM

[\*\*] Term: 14 Years

The ornamental design for a can opener, as shown and described.

[21] Appl. No.: 683,533

[22] Filed: Dec. 19, 1984

DESCRIPTION

[52] U.S. Cl. .... D8/36

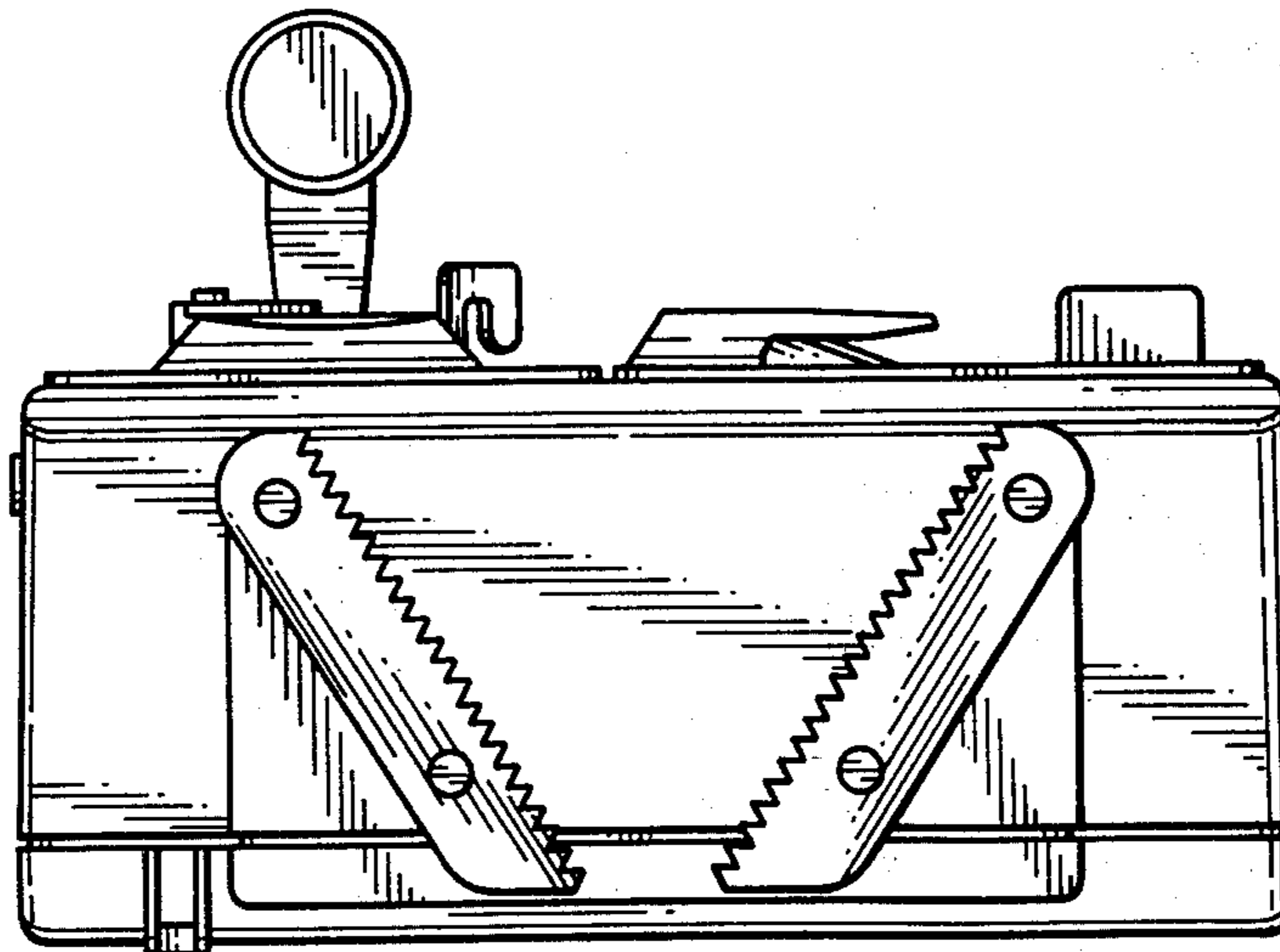
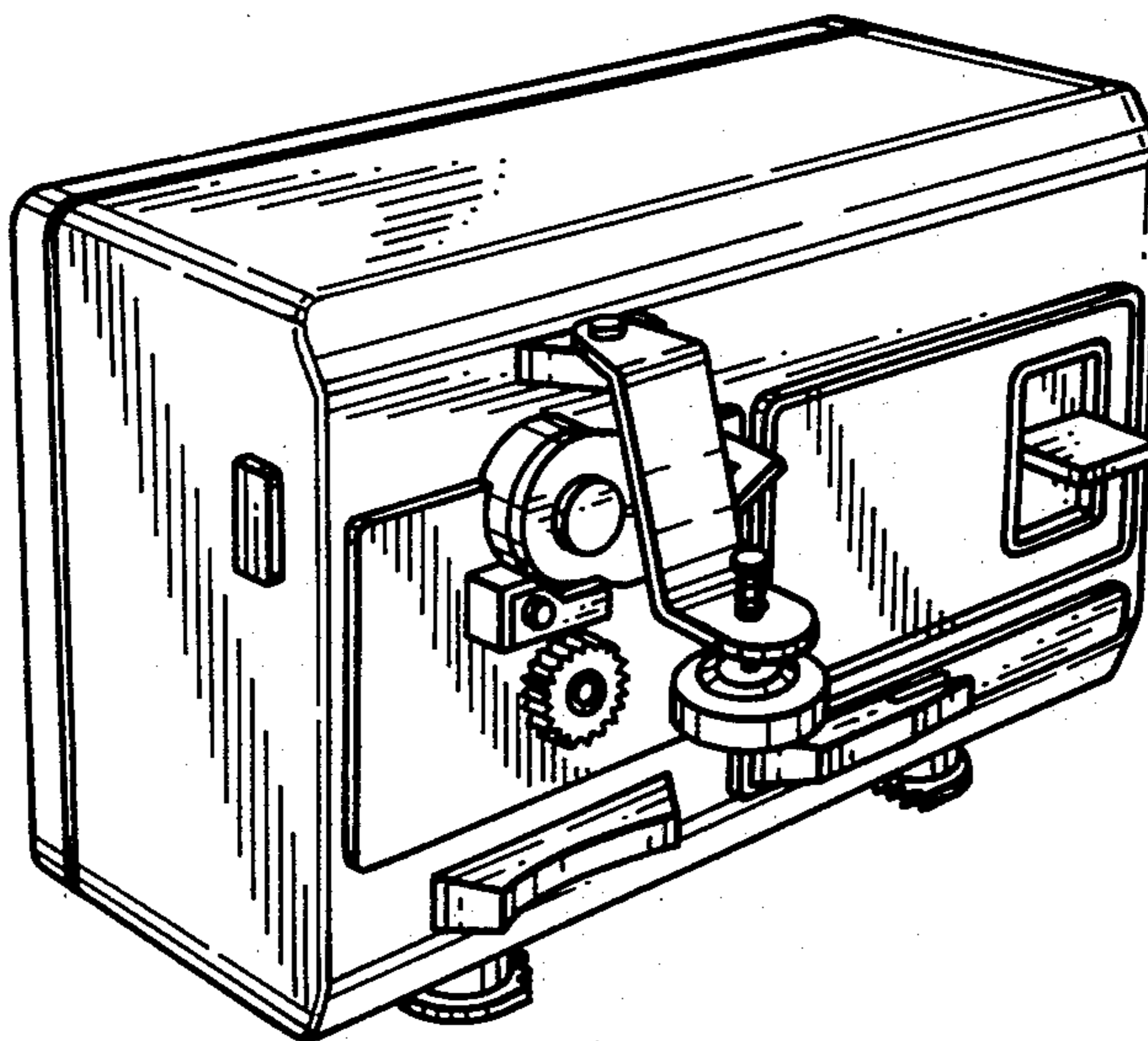
[58] Field of Search ..... D8/18, 33, 34, 40, 36-38;  
30/416, 400, 434, 426, 441

FIG. 1 is a top, front, left side perspective view of a can opener showing our new design;  
FIG. 2 is a front elevational view thereof;  
FIG. 3 is a right side elevational view thereof;  
FIG. 4 is a rear elevational view thereof;  
FIG. 5 is a top plan view thereof; and  
FIG. 6 is a bottom plan view thereof.

[56] References Cited

U.S. PATENT DOCUMENTS

D. 227,972 7/1973 Eckel ..... D8/36



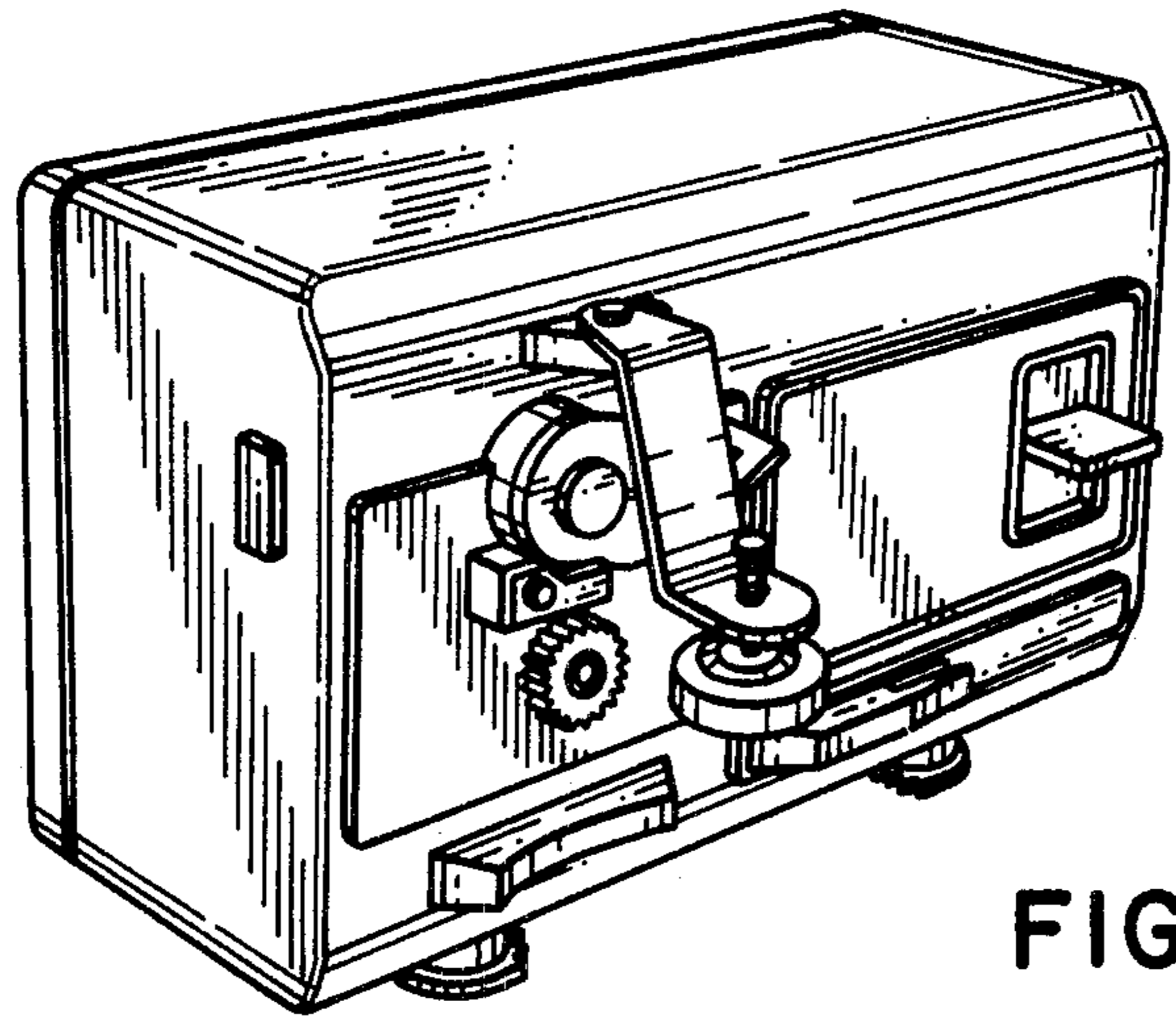


FIG. 1

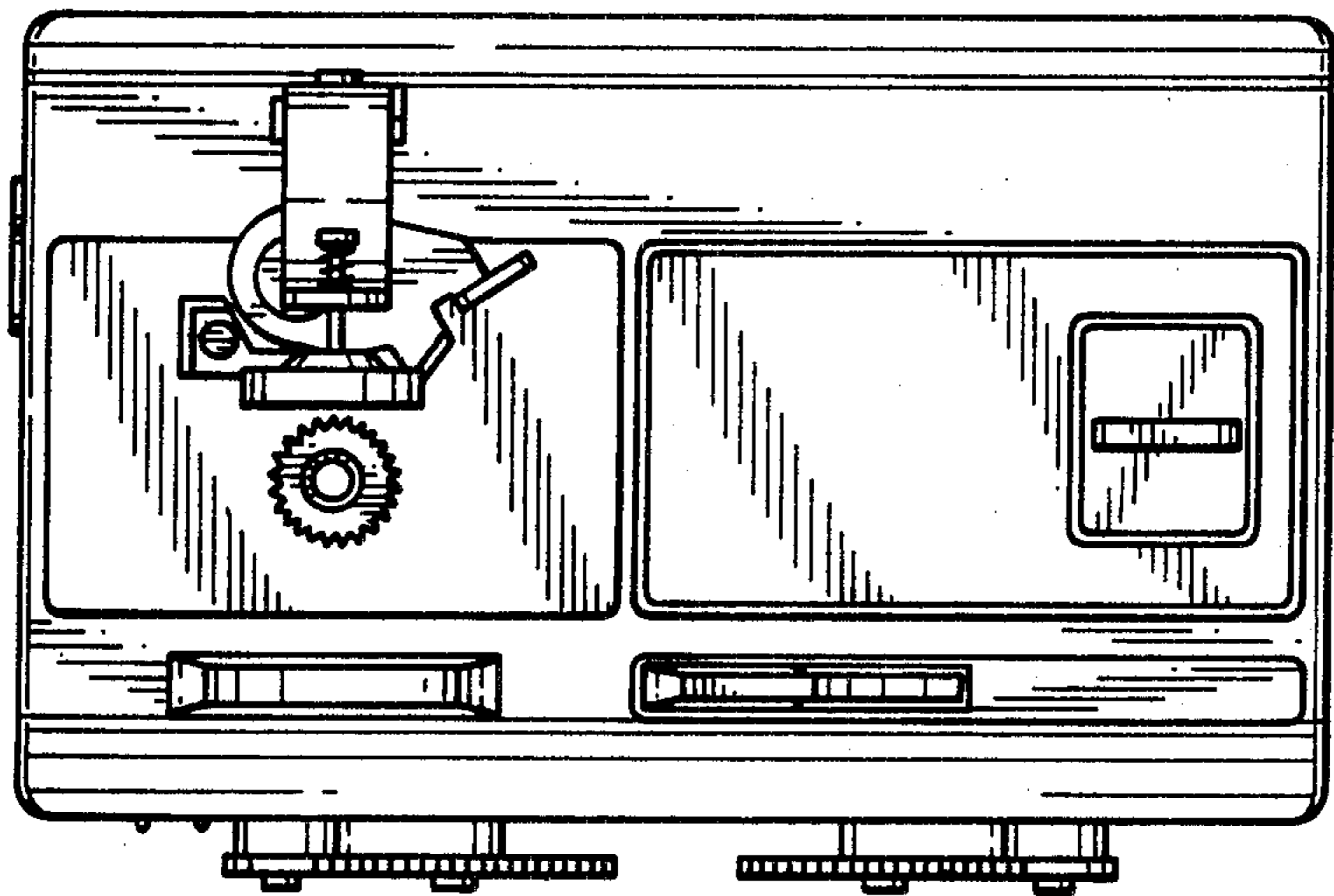


FIG. 2

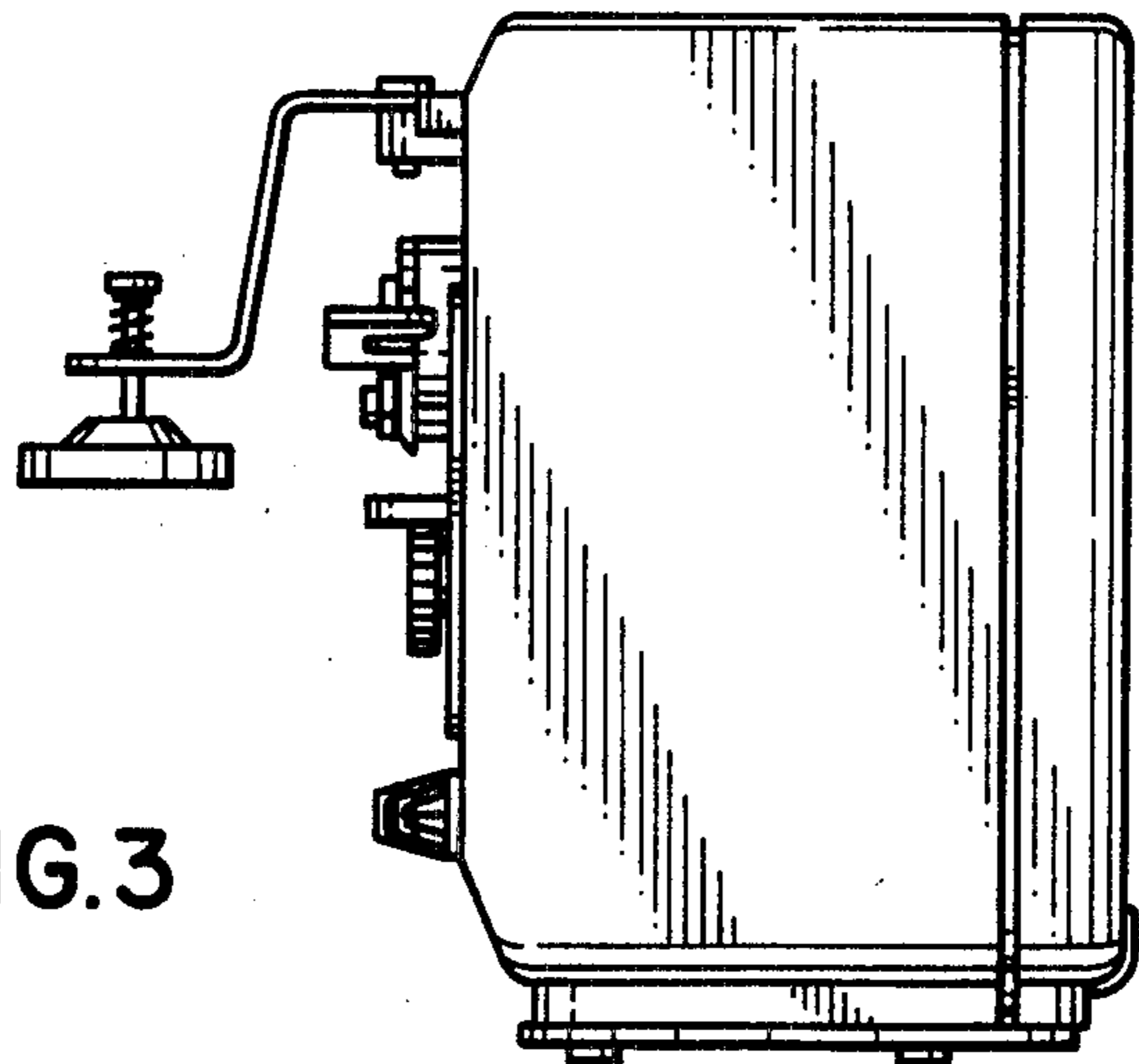


FIG. 3

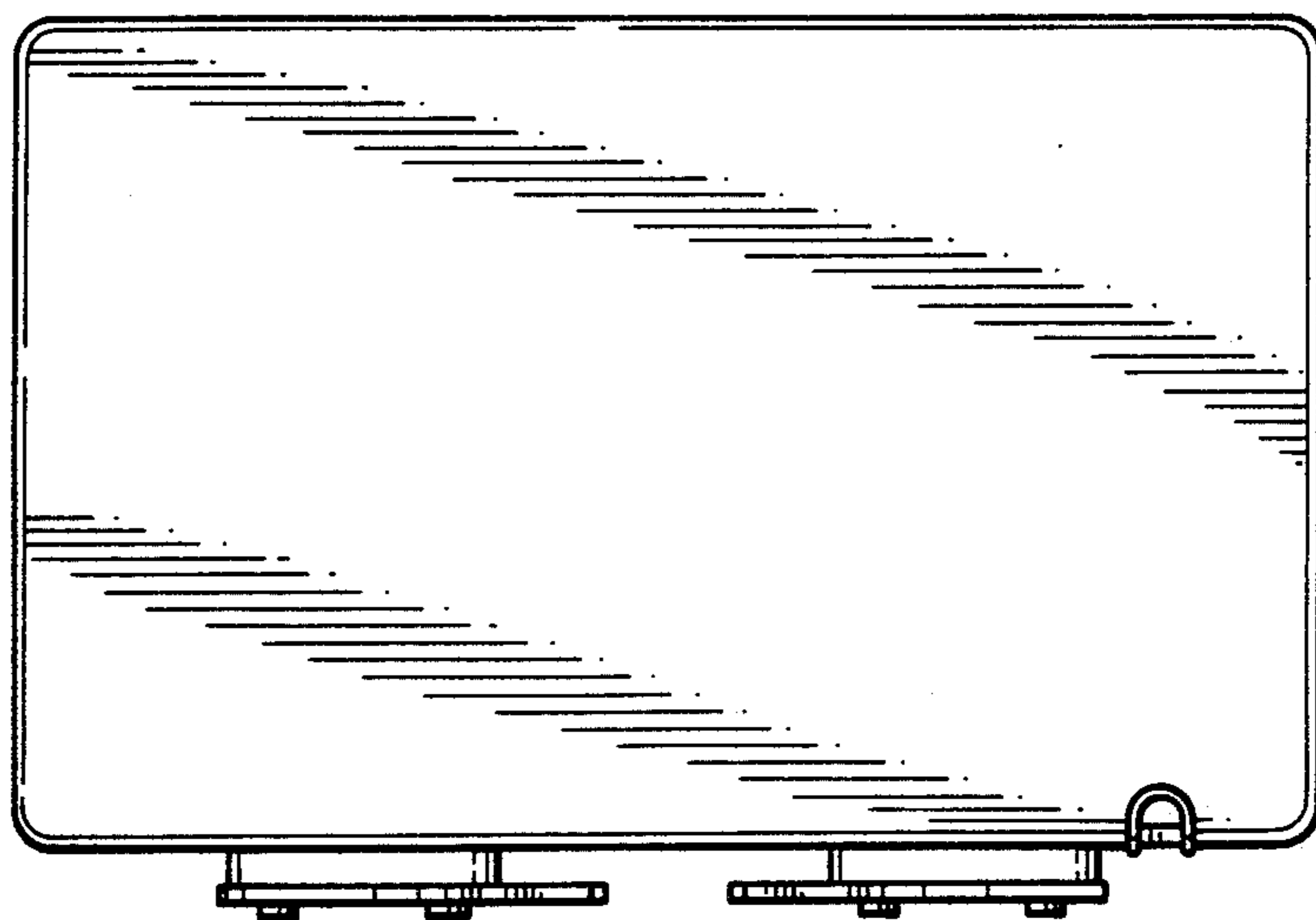


FIG. 4

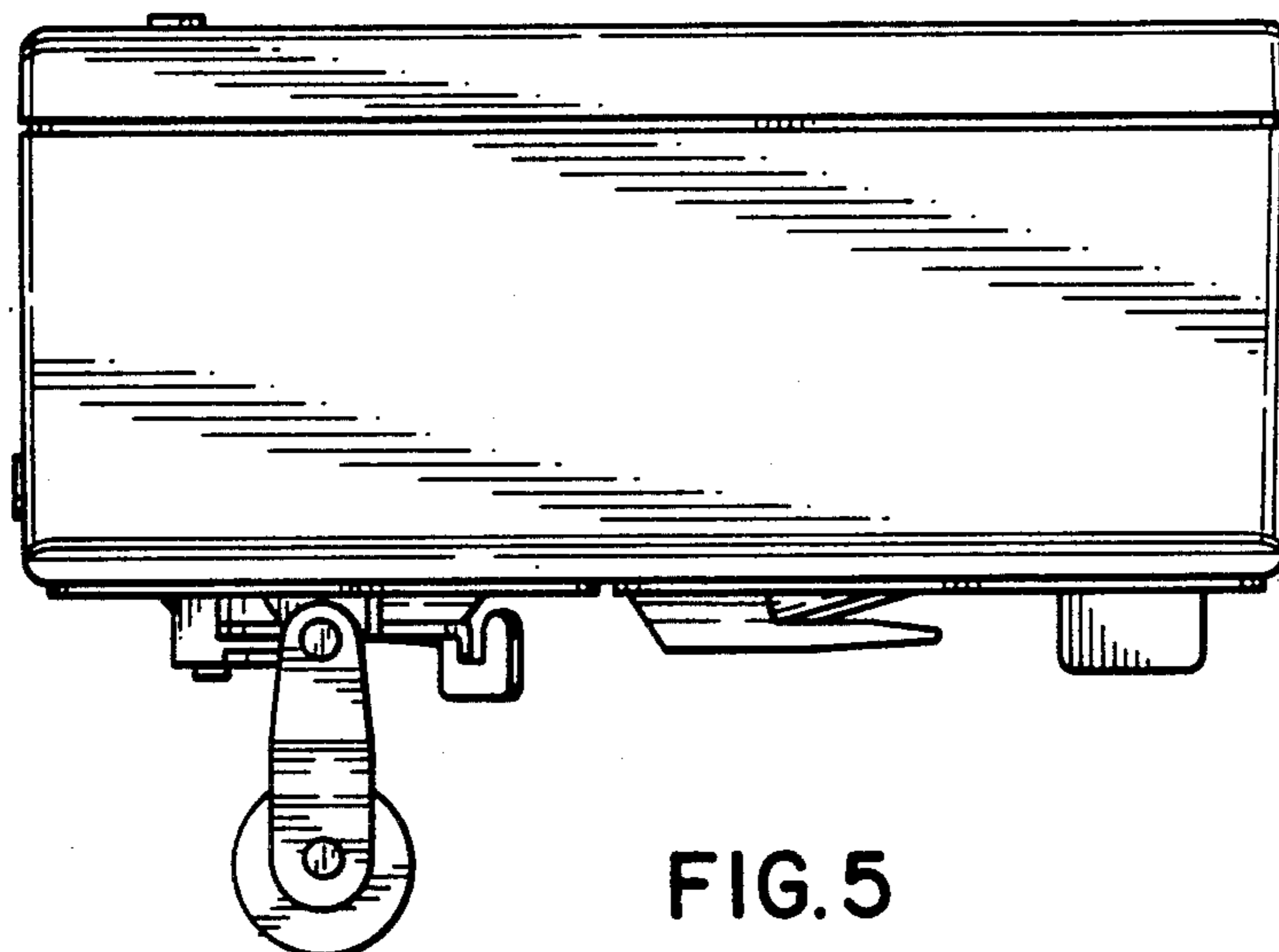


FIG. 5

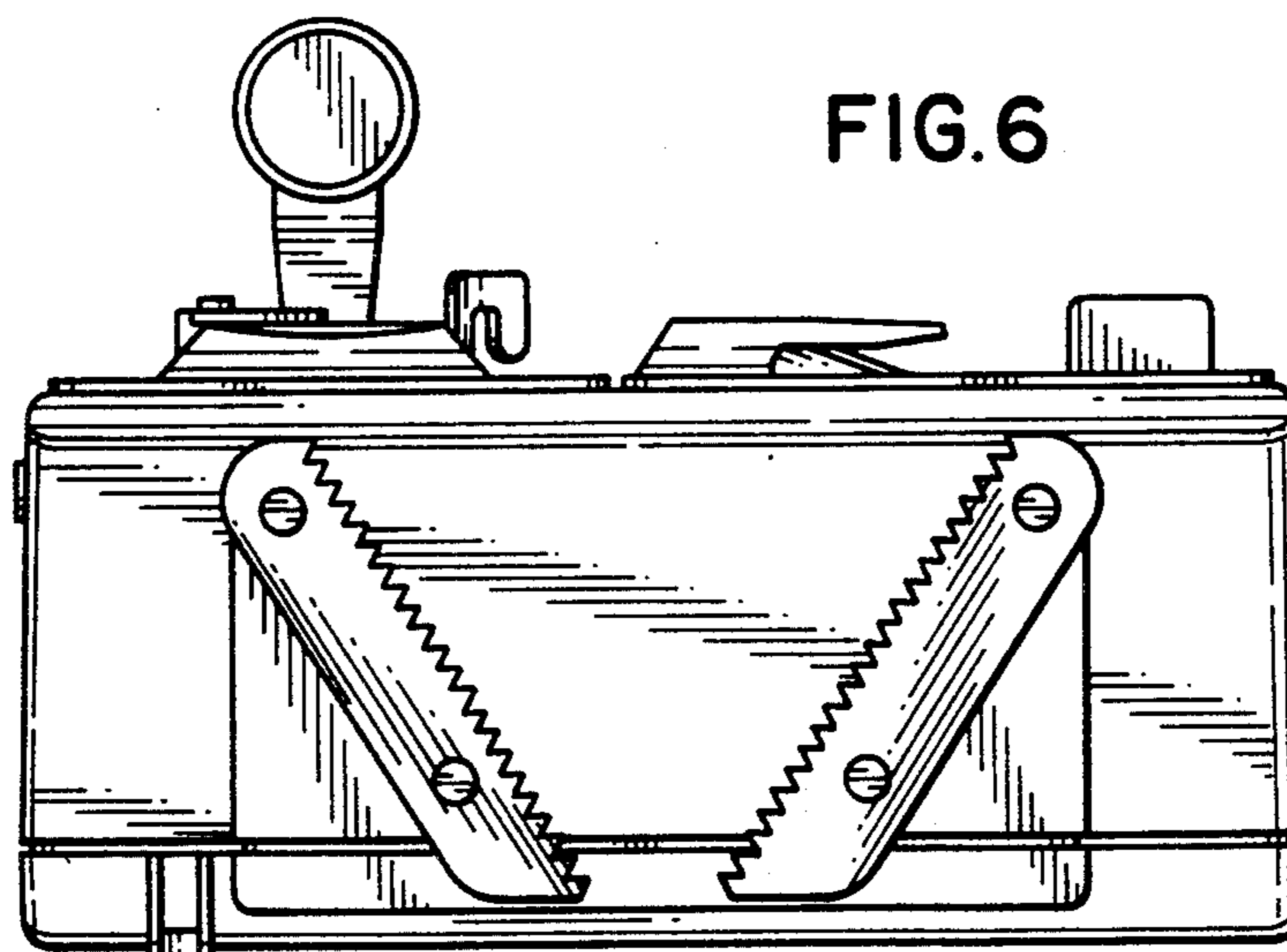


FIG. 6