

[54] ESPRESSO COFFEE MACHINE

[75] Inventors: Bruno Rossio, Milan; Giuseppe Bossi, Legnano; Francesco Roggero, Milan, all of Italy

[73] Assignee: Rancilio Roberto S.p.A., Milan, Italy

[**] Term: 14 Years

[21] Appl. No.: 651,763

[22] Filed: Sep. 18, 1984

[30] Foreign Application Priority Data

Apr. 5, 1984 [IT] Italy 21452/84[U]

[52] U.S. Cl. D7/309

[58] Field of Search D7/309, 300, 305, 310, D7/311

[56] References Cited

U.S. PATENT DOCUMENTS

- D. 174,468 4/1955 Radaelli D7/309
- D. 182,853 5/1958 Salati D7/309
- D. 239,757 5/1976 Martin D7/309

D. 281,943 12/1985 Rosalino D7/309

OTHER PUBLICATIONS

Gifts & Decorative Accessories, Dec. 1975, p. 160-6, bottom left Elec. Espresso Coffee Machine, E. J. Coles. *Domus* 607, Jun. 1980, p. 41, Espresso Machine at right center.

Smithsonian, Apr. 1980, p. 20, Krups "Gaggia" 20 cup Elec. Espresso/Cappuccino Maker.

Primary Examiner—Winifred E. Herrmann
Attorney, Agent, or Firm—Wenderoth, Lind & Ponack

[57] CLAIM

The ornamental design for an Espresso coffee machine, as shown and described.

DESCRIPTION

FIG. 1 is a top, left side perspective view of an Espresso coffee machine showing our new design; FIG. 2 is a right side perspective thereof; FIG. 3 is a top plan view thereof; FIG. 4 is a left side perspective view thereof; FIG. 5 is a bottom plan view thereof; and FIG. 6 is a rear elevational view thereof.

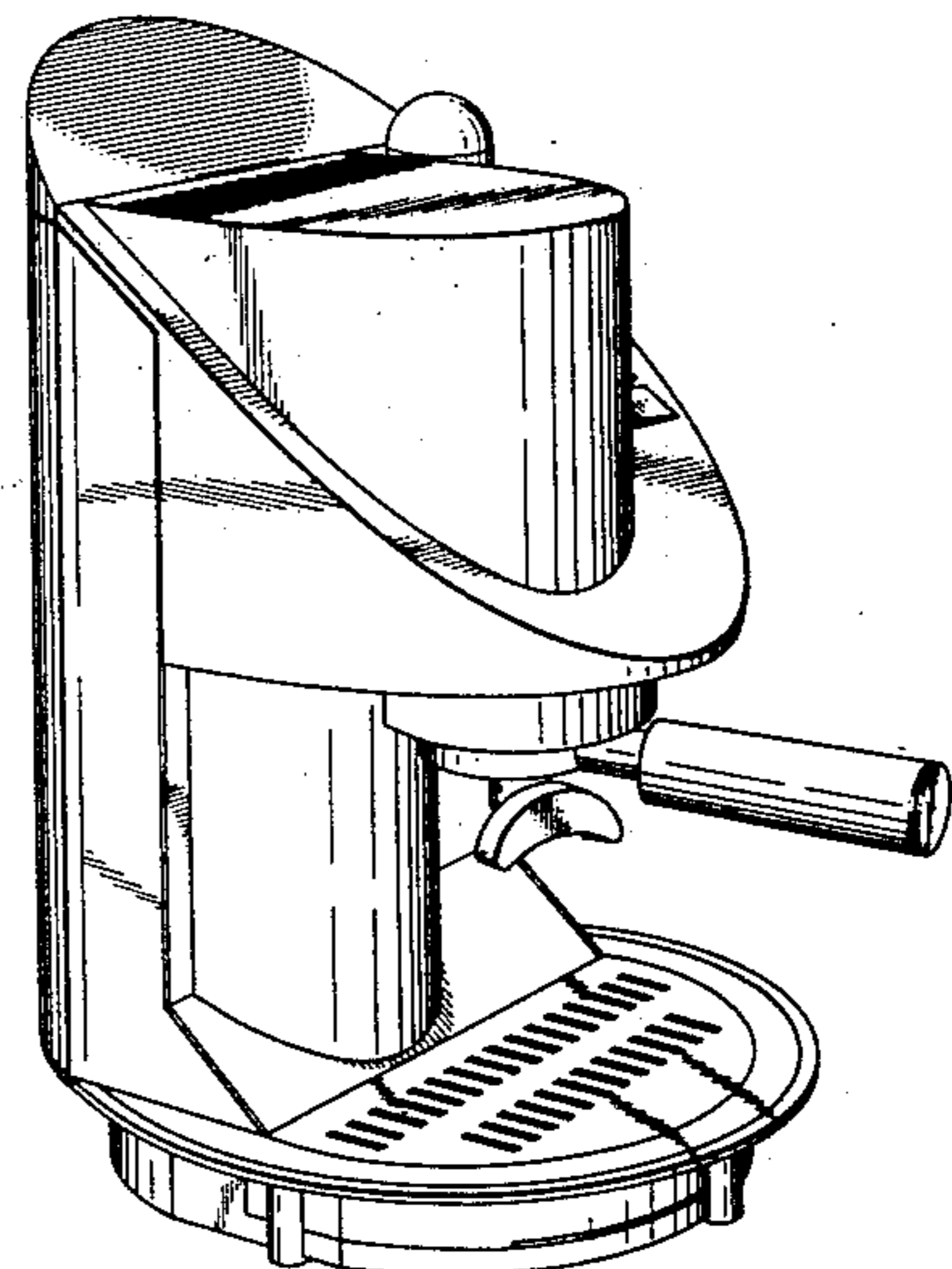
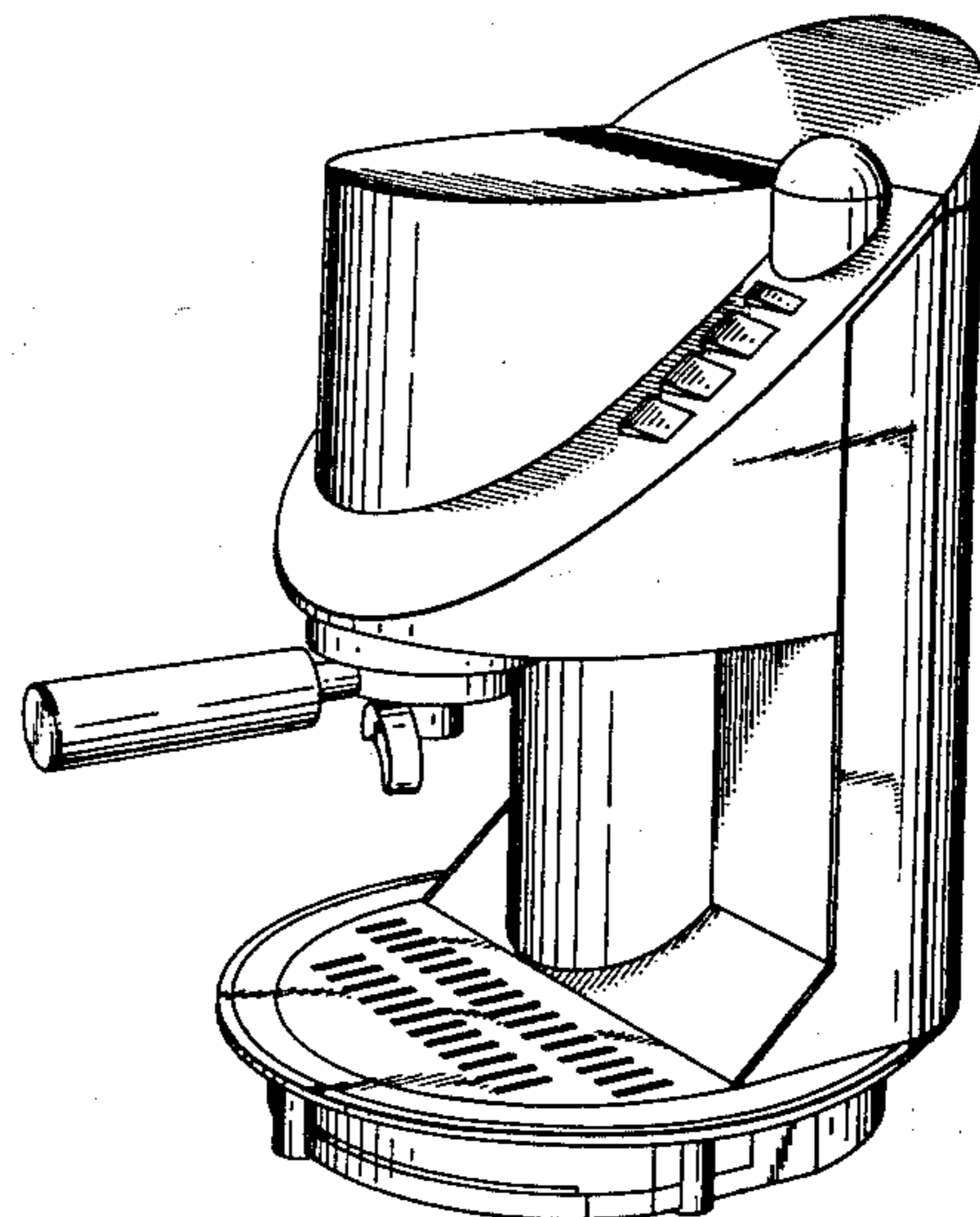
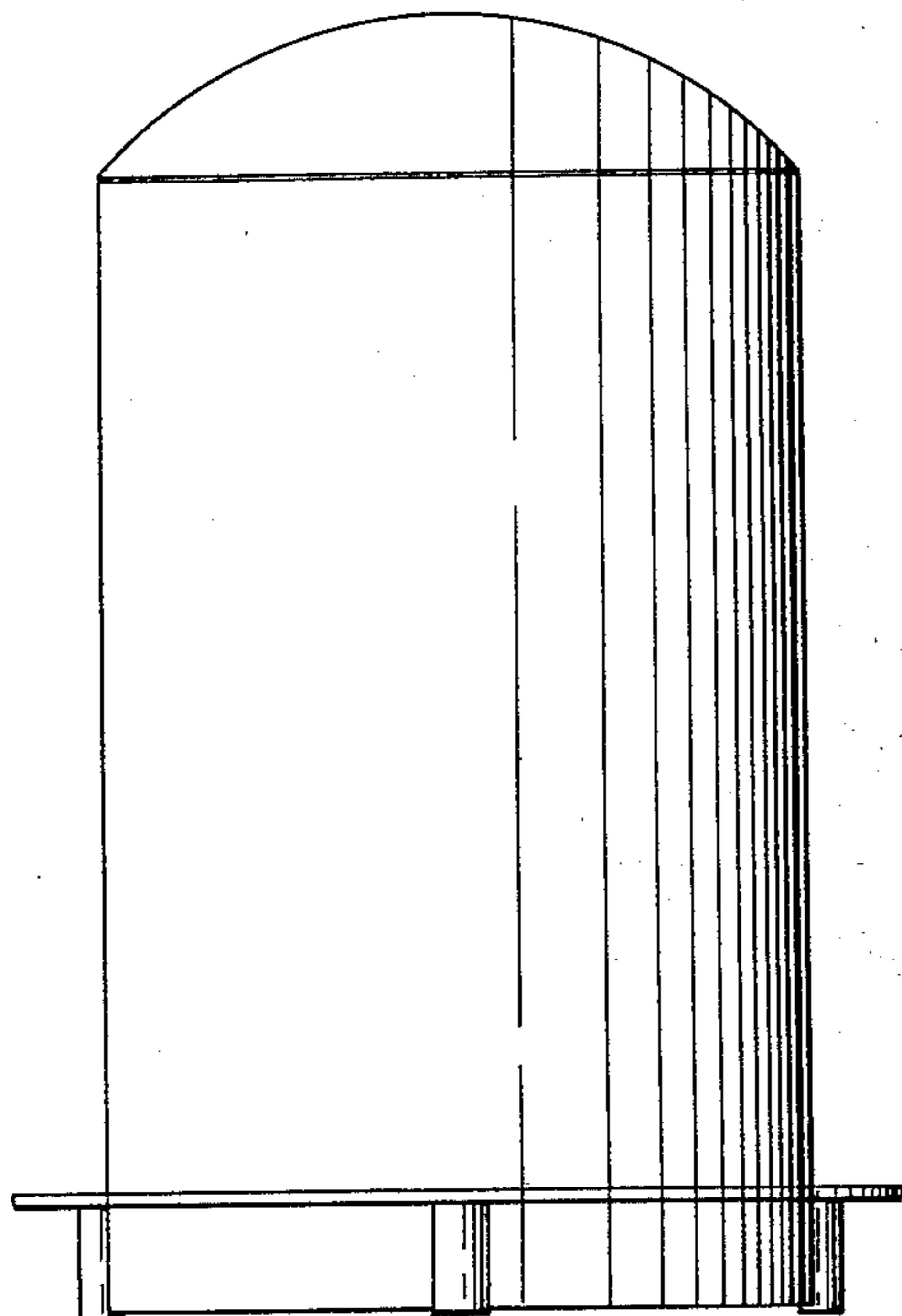


FIG. 1

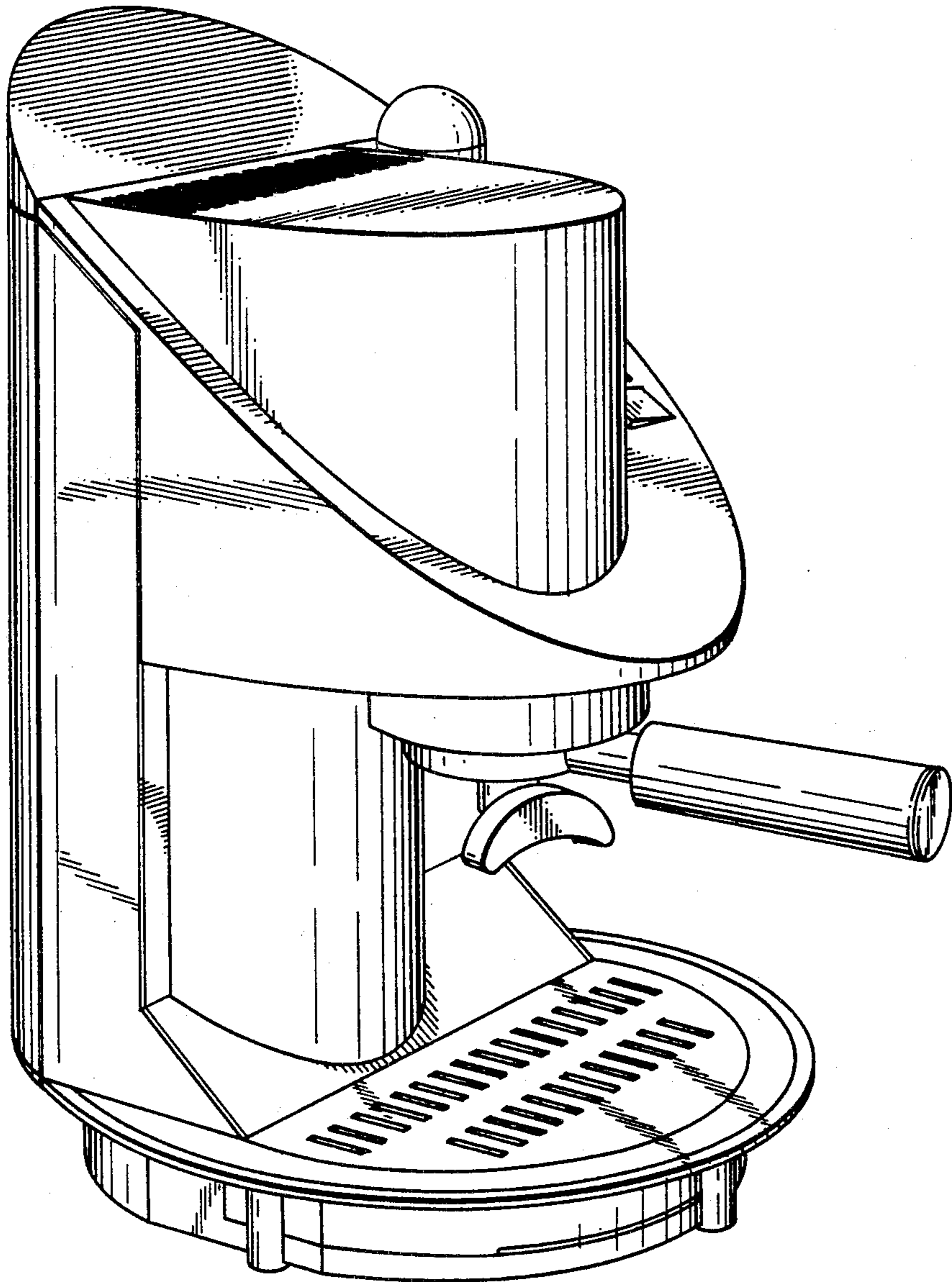


FIG. 2

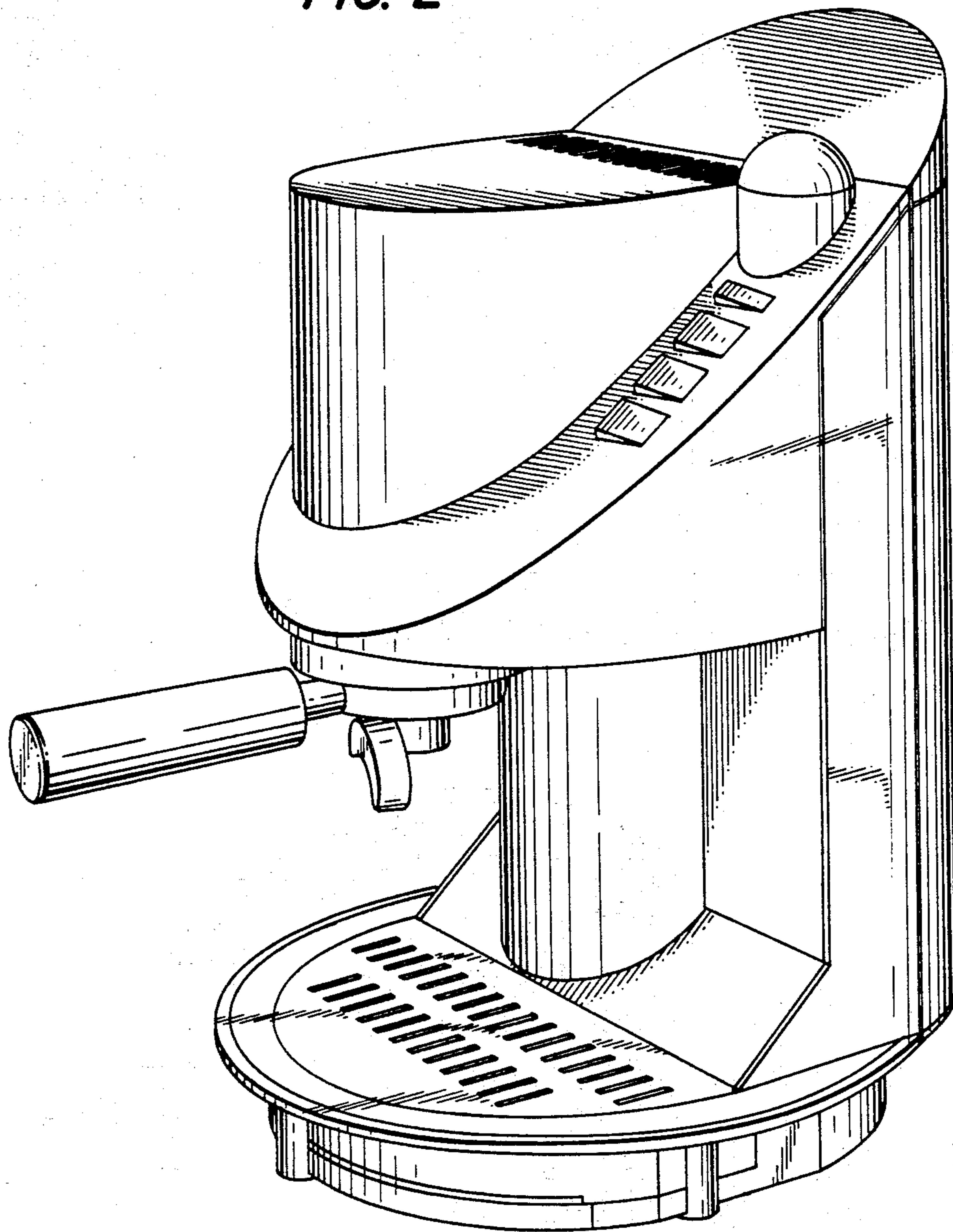


FIG. 4

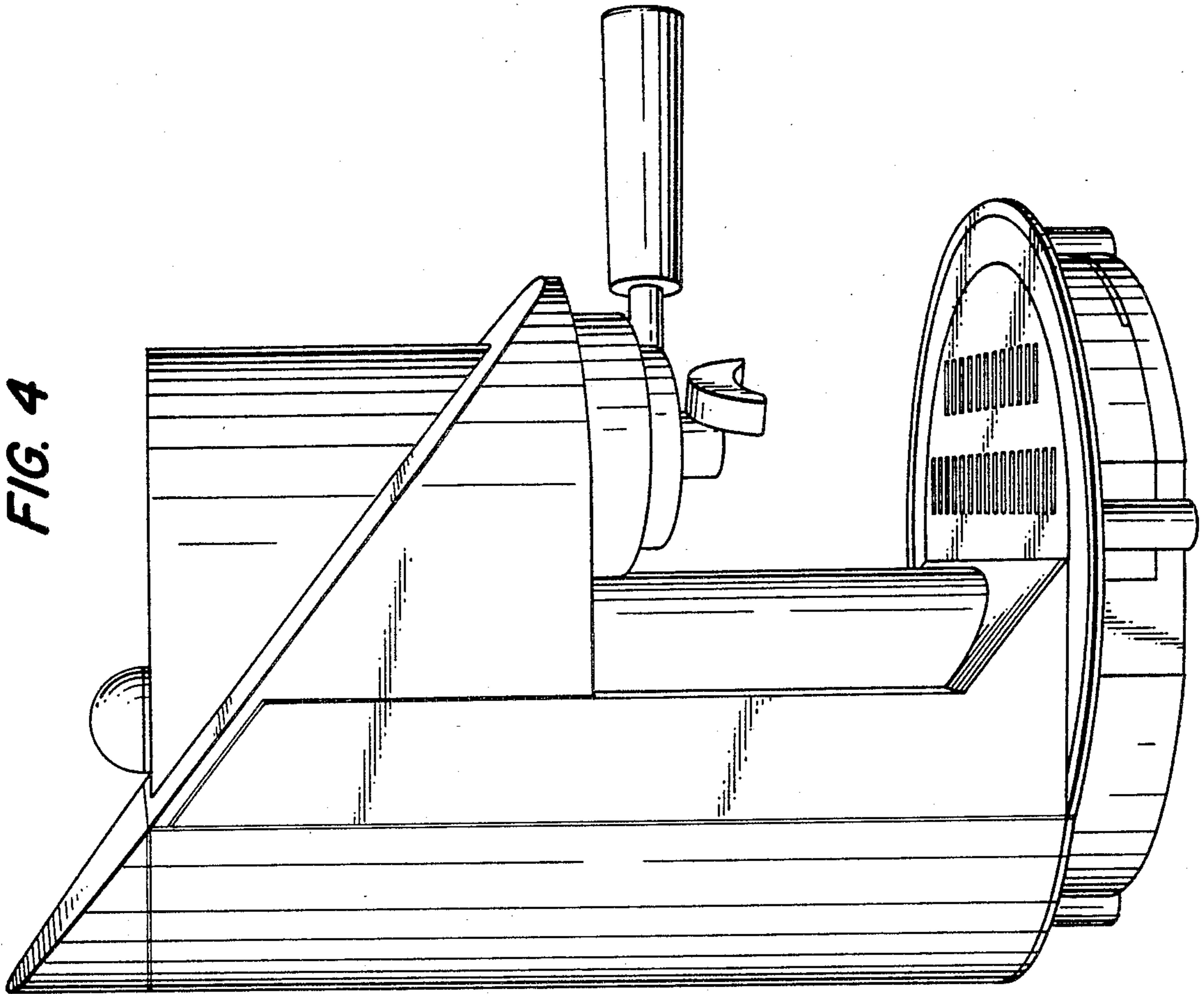


FIG. 3

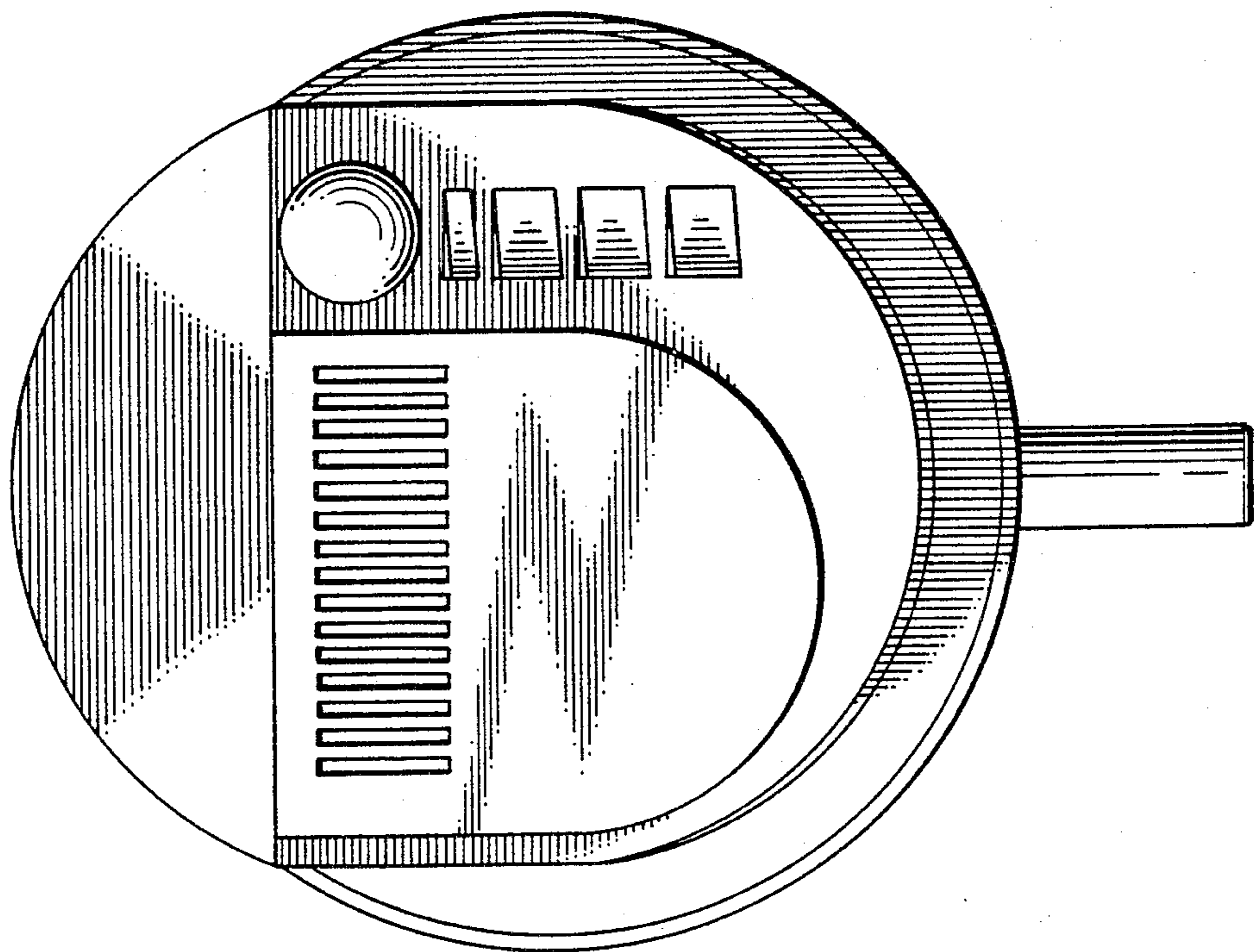


FIG. 6

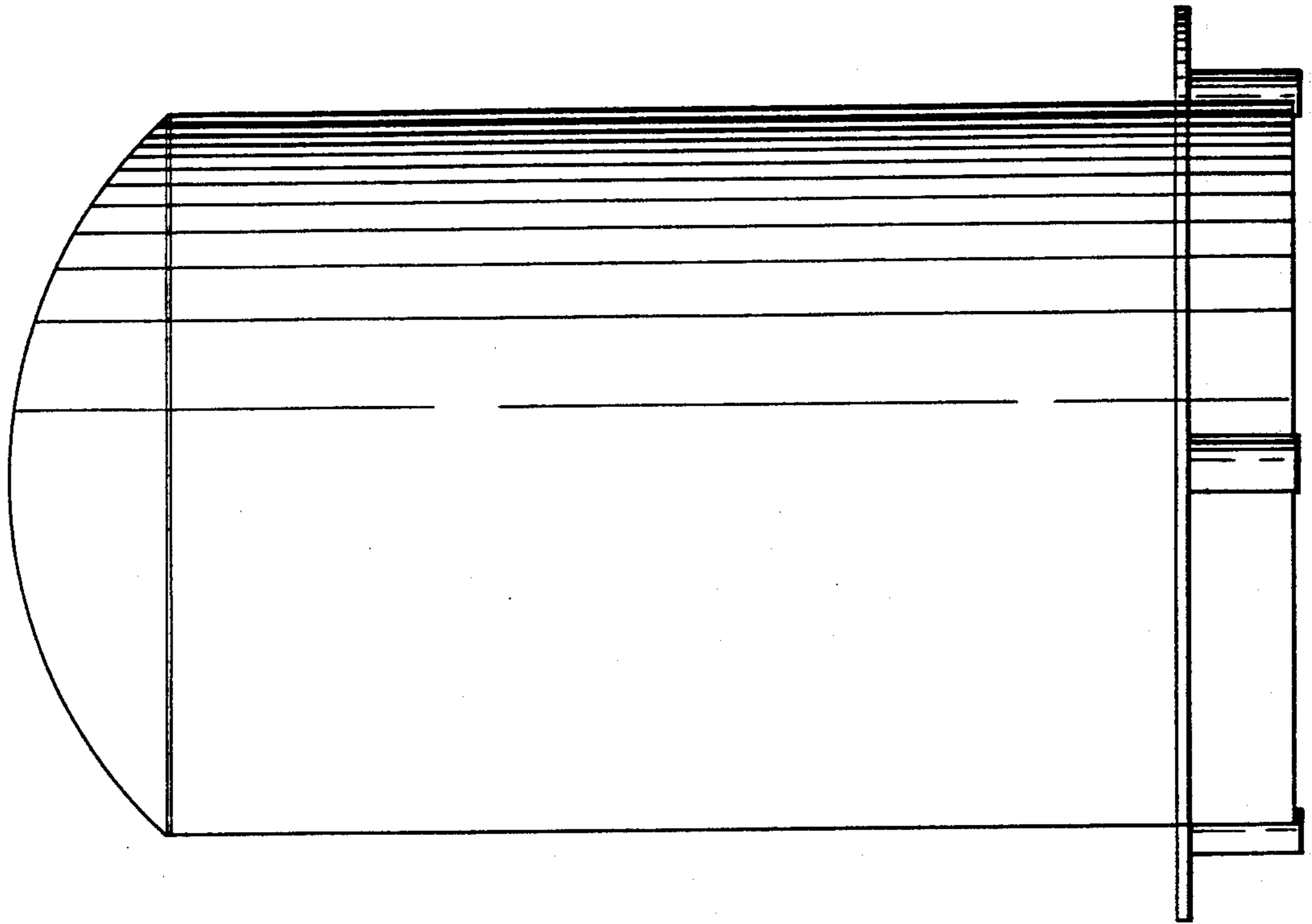


FIG. 5

