

[54] **FOLDABLE TABLE**

[75] **Inventor: Donald B. Colby, Sarasota, Fla.**

[73] **Assignee: Lee L. Woodard, Inc., Owosso, Mich.**

[**] **Term: 14 Years**

[21] **Appl. No.: 641,208**

[22] **Filed: Aug. 16, 1984**

[52] **U.S. Cl. D6/429; D6/484;
D6/488**

[58] **Field of Search D6/429, 430, 480, 484,
D6/486, 487, 488; 108/115, 159**

[56] **References Cited**

U.S. PATENT DOCUMENTS

D. 177,681	5/1956	Jones	D6/487 X
D. 237,335	10/1975	Ginat	D6/484 X
D. 282,514	2/1986	Garcia et al.	D6/484 X
2,756,082	7/1956	Pucci	D6/429 X
4,112,855	9/1978	Colby	D6/487 X

Primary Examiner—Bruce W. Dunkins
Attorney, Agent, or Firm—Learman & McCulloch

[57] **CLAIM**

The ornamental design for a foldable table, as shown and described.

DESCRIPTION

FIG. 1 is a perspective view of a foldable table showing my design;

FIG. 2 is a top plan view on a considerably enlarged scale;

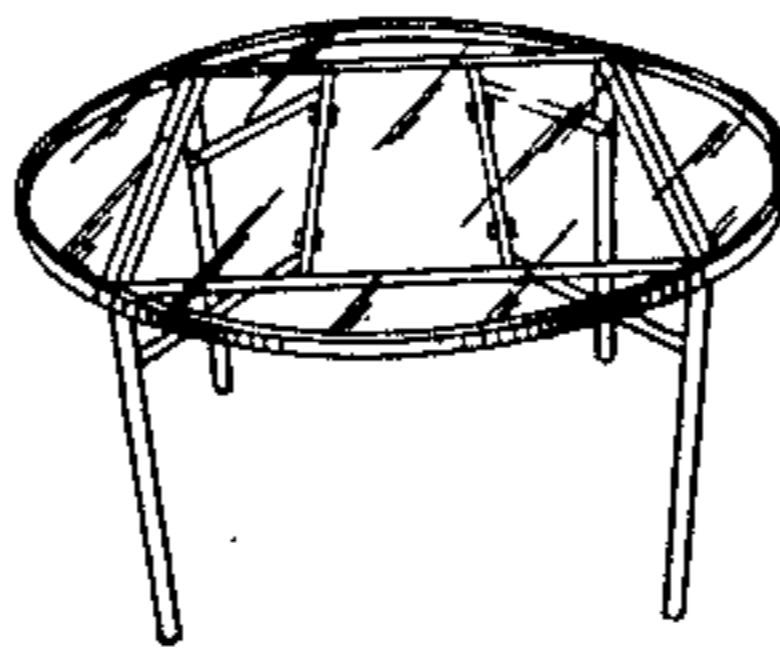
FIG. 3 is an top plan view on the same scale;

FIG. 4 is a side elevational view thereof taken on the line 4—4 of FIG. 2, it being understood that the opposite side elevational view is a mirror image thereof;

FIG. 5 is an end elevational view taken on the line 5—5 of FIG. 4, it being understood that the opposite end elevational view is a mirror image thereof;

FIG. 6 is an top plan view showing the table legs in folded position; and

FIG. 7 is a bottom plan view showing the table legs in folded position.



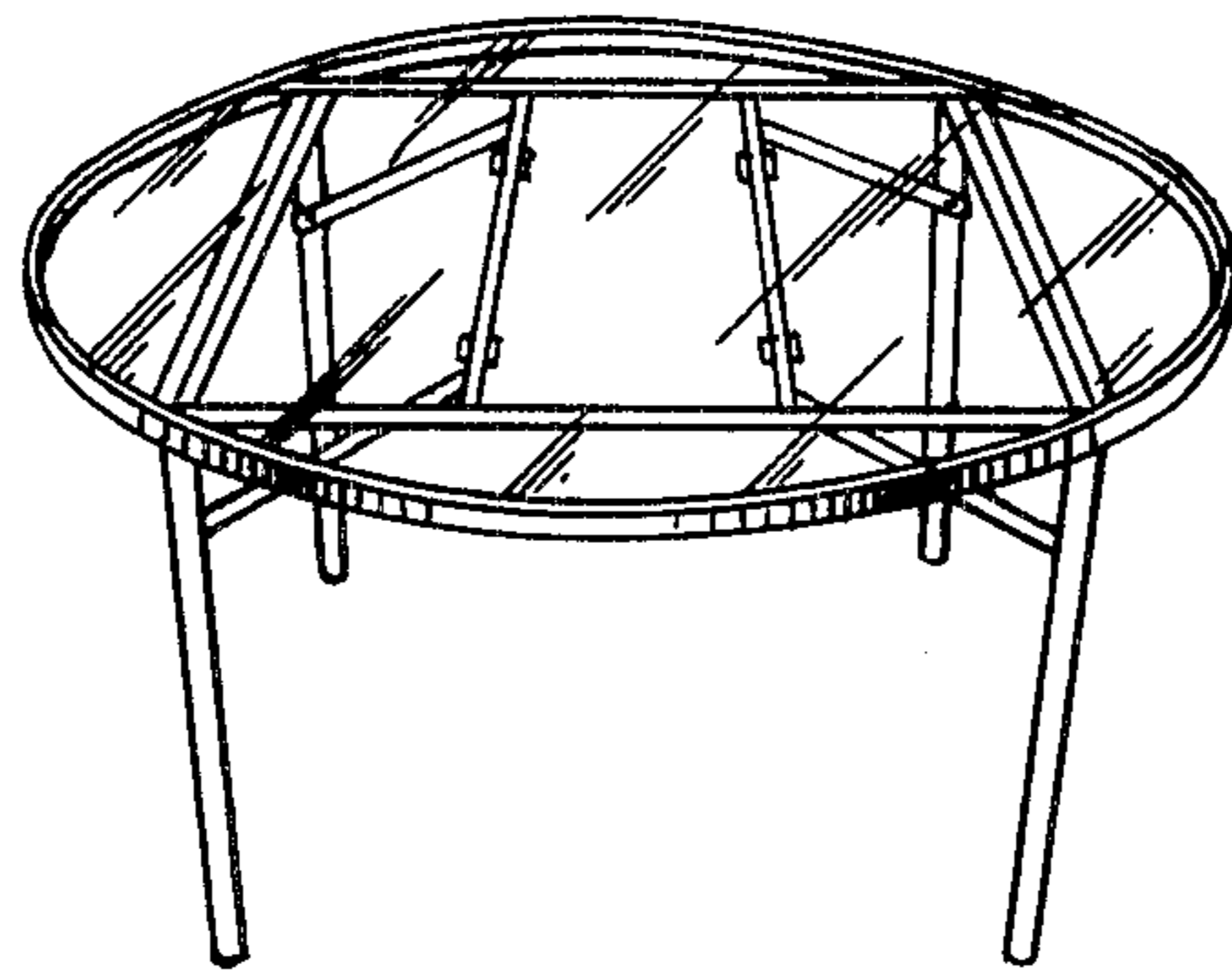


FIG. 1

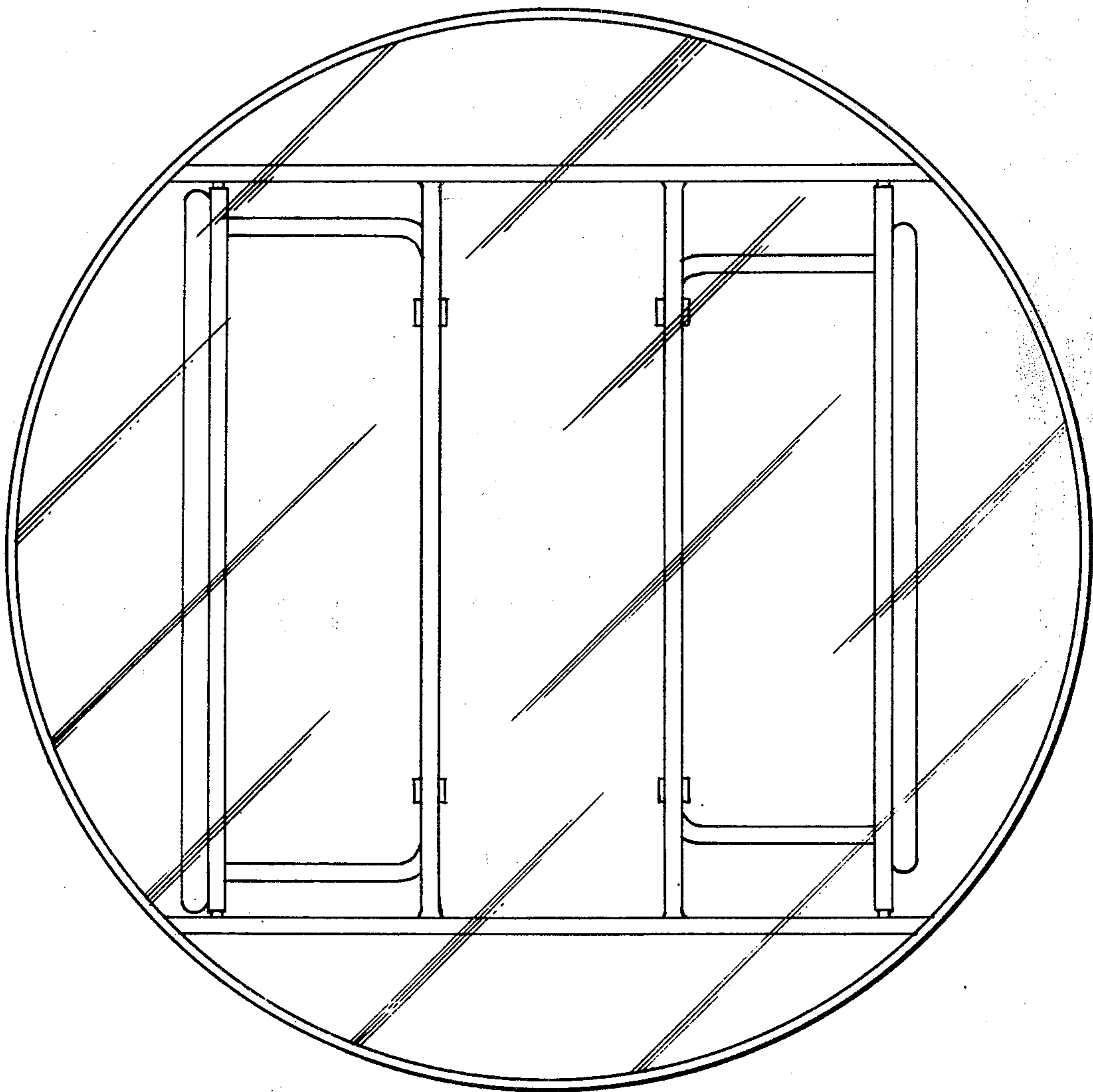


FIG. 2

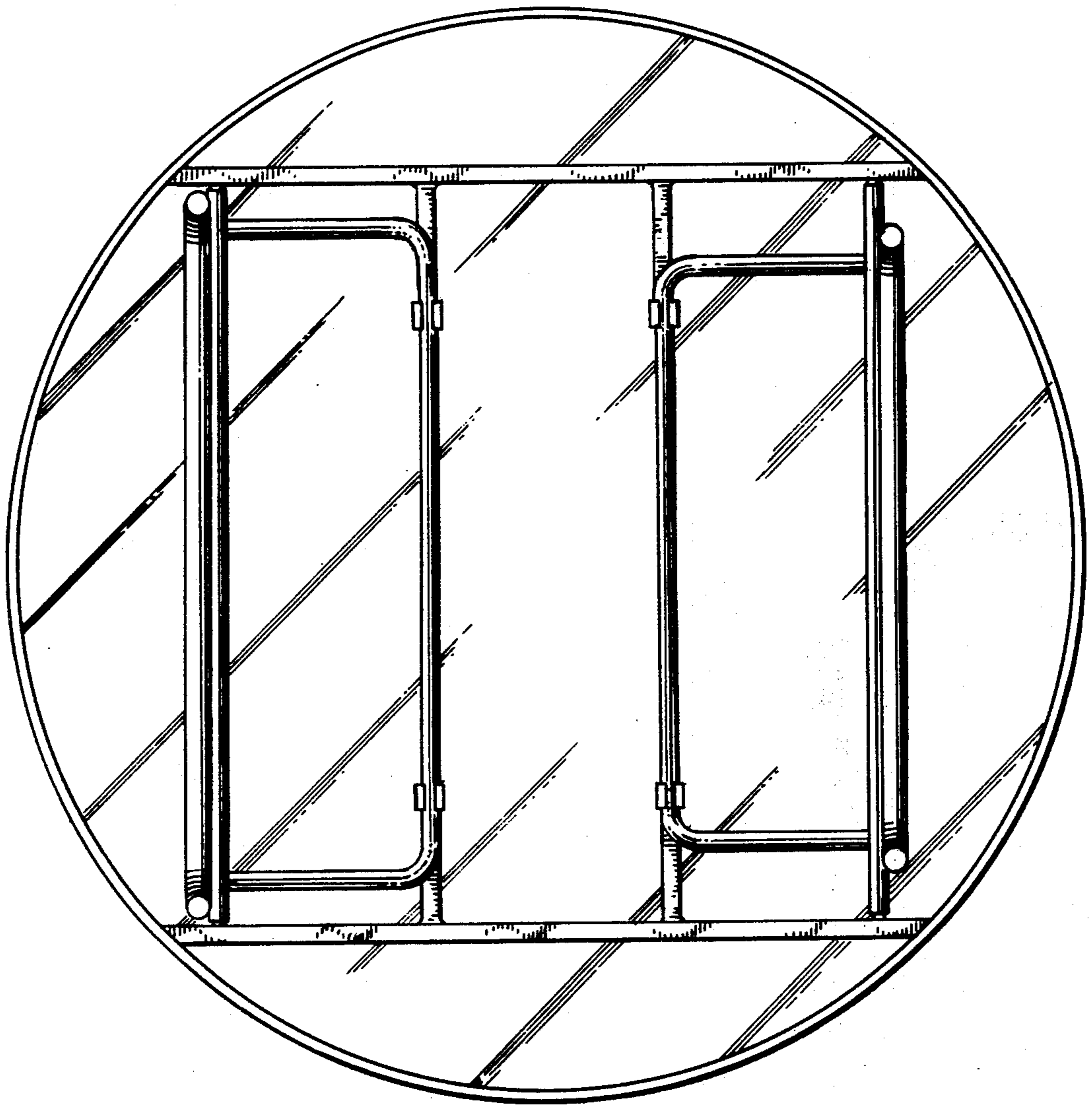


FIG. 3

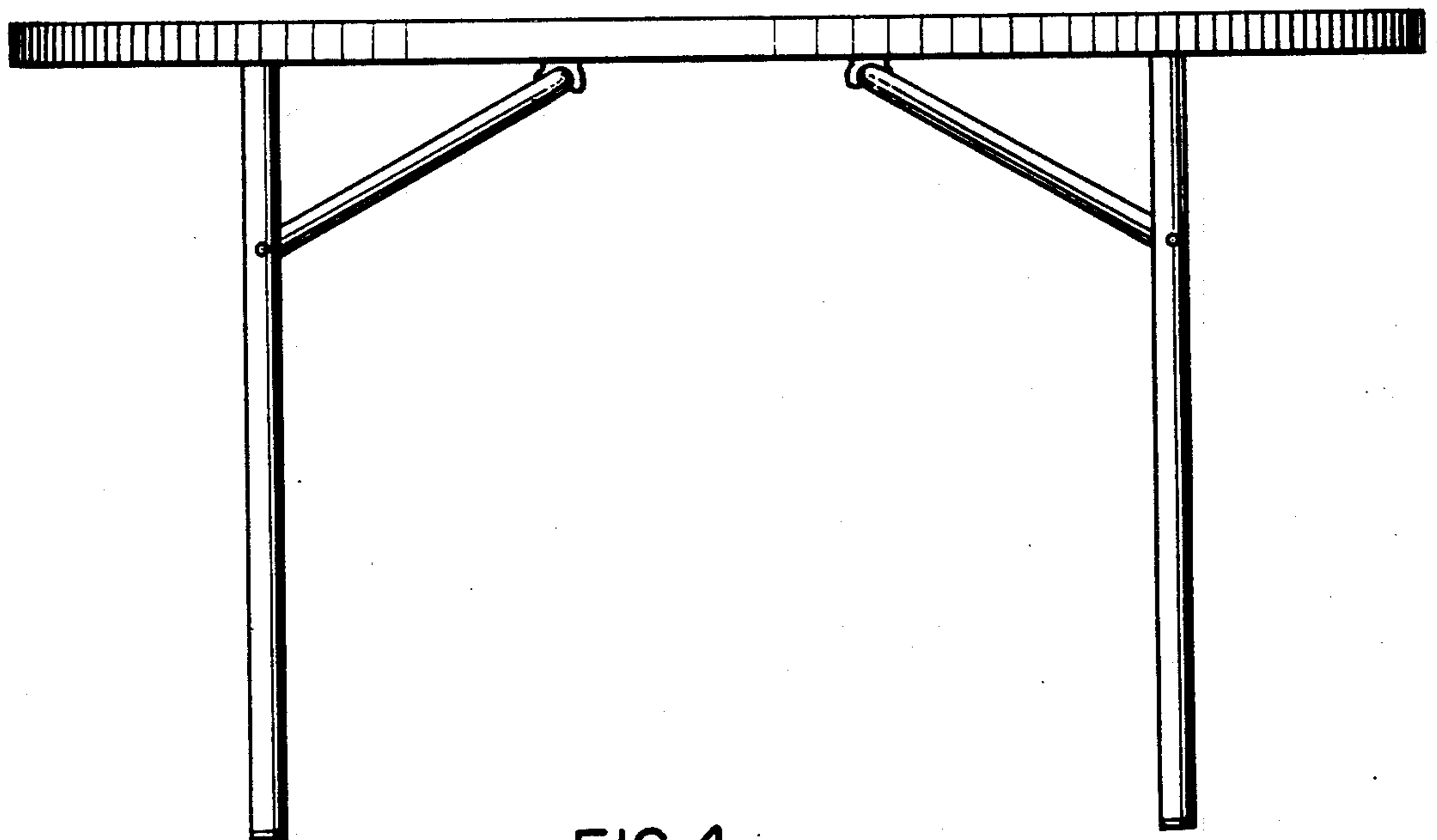


FIG. 4

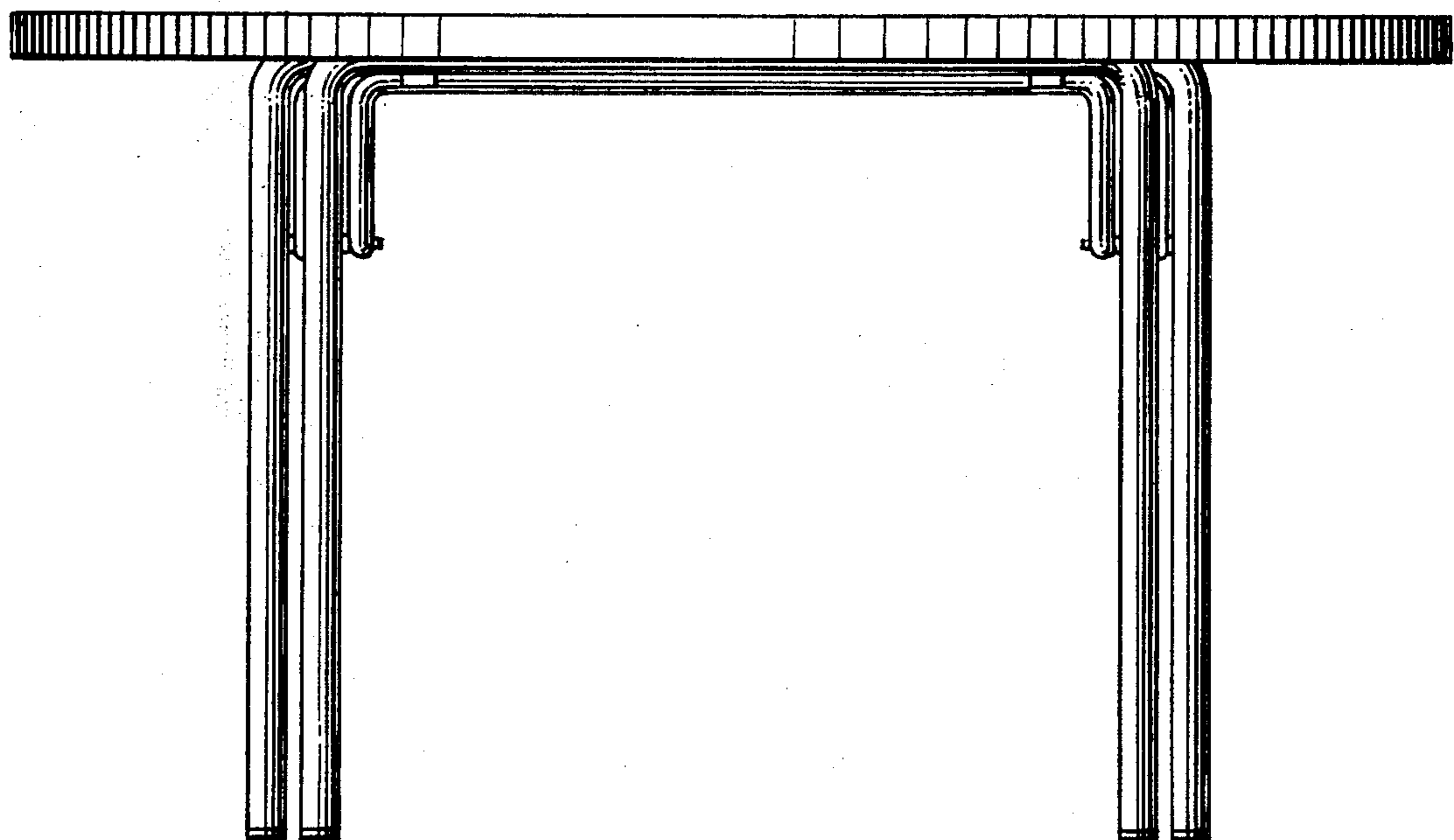


FIG.5

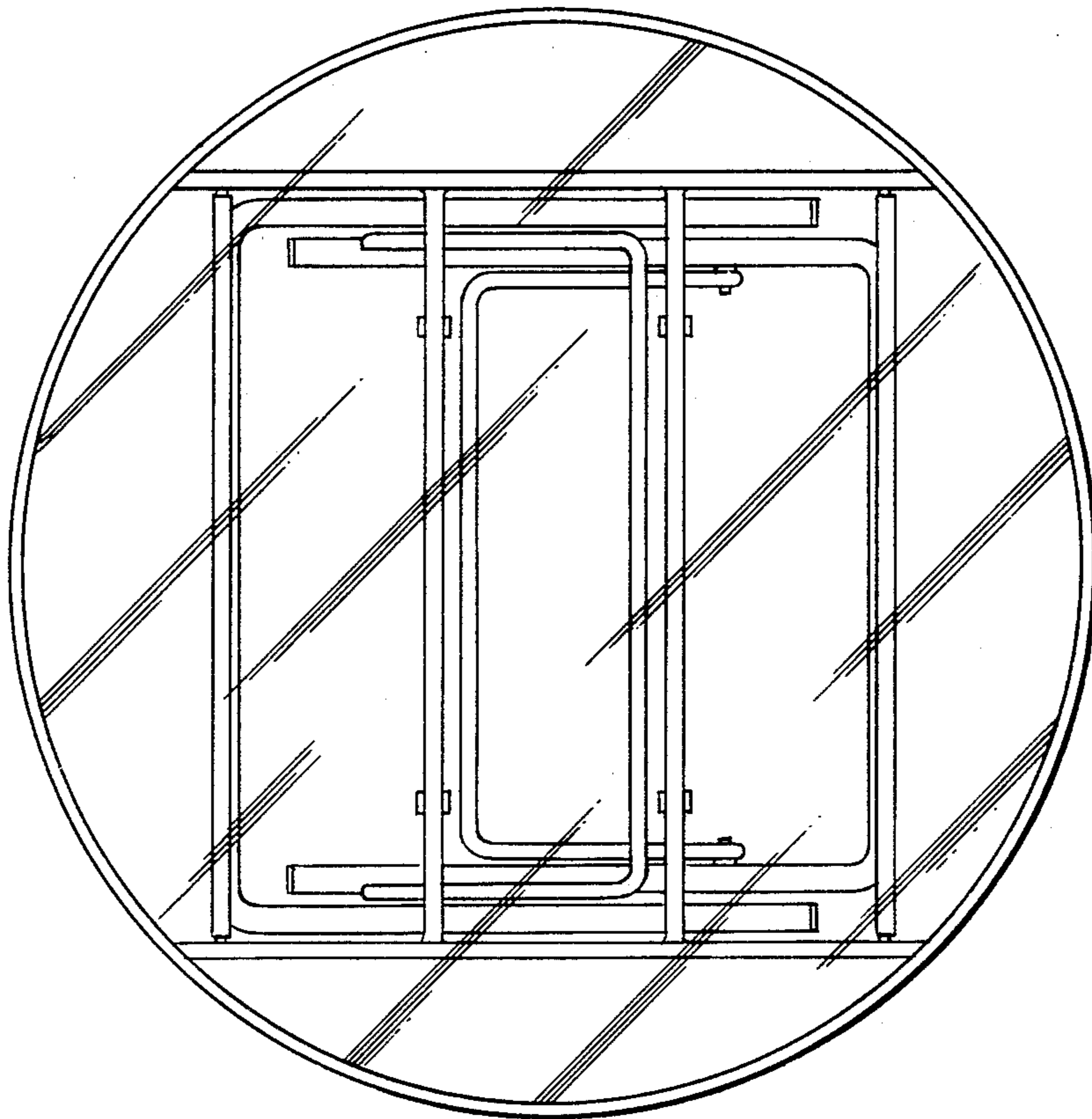


FIG. 6

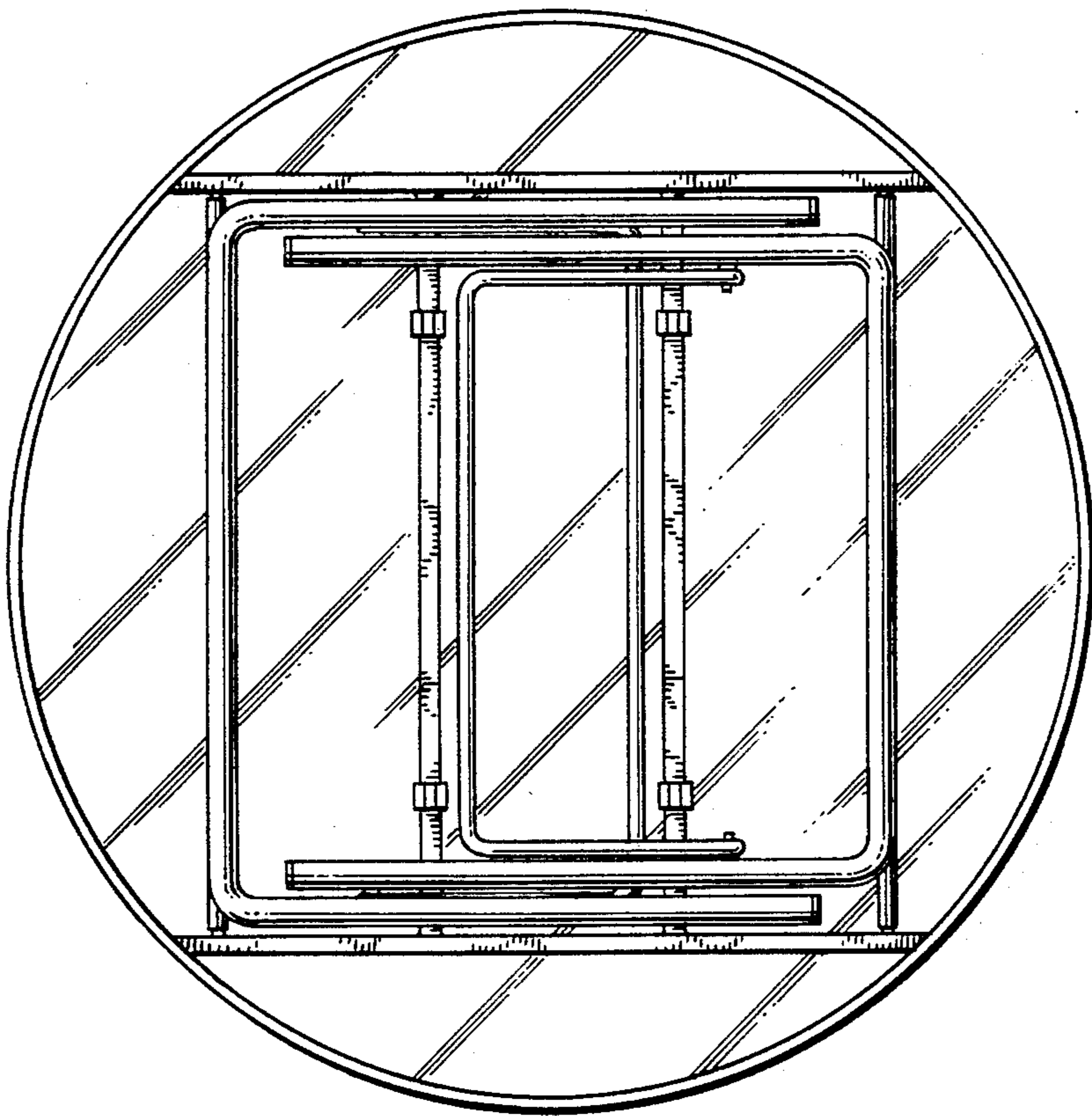


FIG. 7