

[54] BILL VALIDATOR

[75] Inventors: Osamu Kobayashi; Masaki Akagawa; Hiroshi Hayashi, all of Sakado, Japan

[73] Assignee: Kabushiki Kaisha Nippon Coinco, Tokyo, Japan

[**] Term: 14 Years

[21] Appl. No.: 594,541

[22] Filed: Mar. 29, 1984

[30] Foreign Application Priority Data

Oct. 3, 1983 [JP] Japan 58-42614

[52] U.S. Cl. D99/28

[58] Field of Search D99/28; 232/1 D; 209/534

[56] References Cited

U.S. PATENT DOCUMENTS

D. 282,307 1/1986 Nishida D99/28

3,031,076 4/1962 DeClaris et al. 209/534
3,589,514 6/1971 Townsend 209/534
3,618,765 11/1971 Cooper et al. 209/534

Primary Examiner—Louis S. Zarfes

Attorney, Agent, or Firm—Robert E. Burns; Emmanuel J. Lobato; Bruce L. Adams

[57] CLAIM

The ornamental design for a bill validator, substantially as shown and described.

DESCRIPTION

FIG. 1 is a perspective view of a bill validator showing our design;

FIG. 2 is a rear perspective view thereof with the stacker being pulled down;

FIG. 3 is a front elevational view thereof;

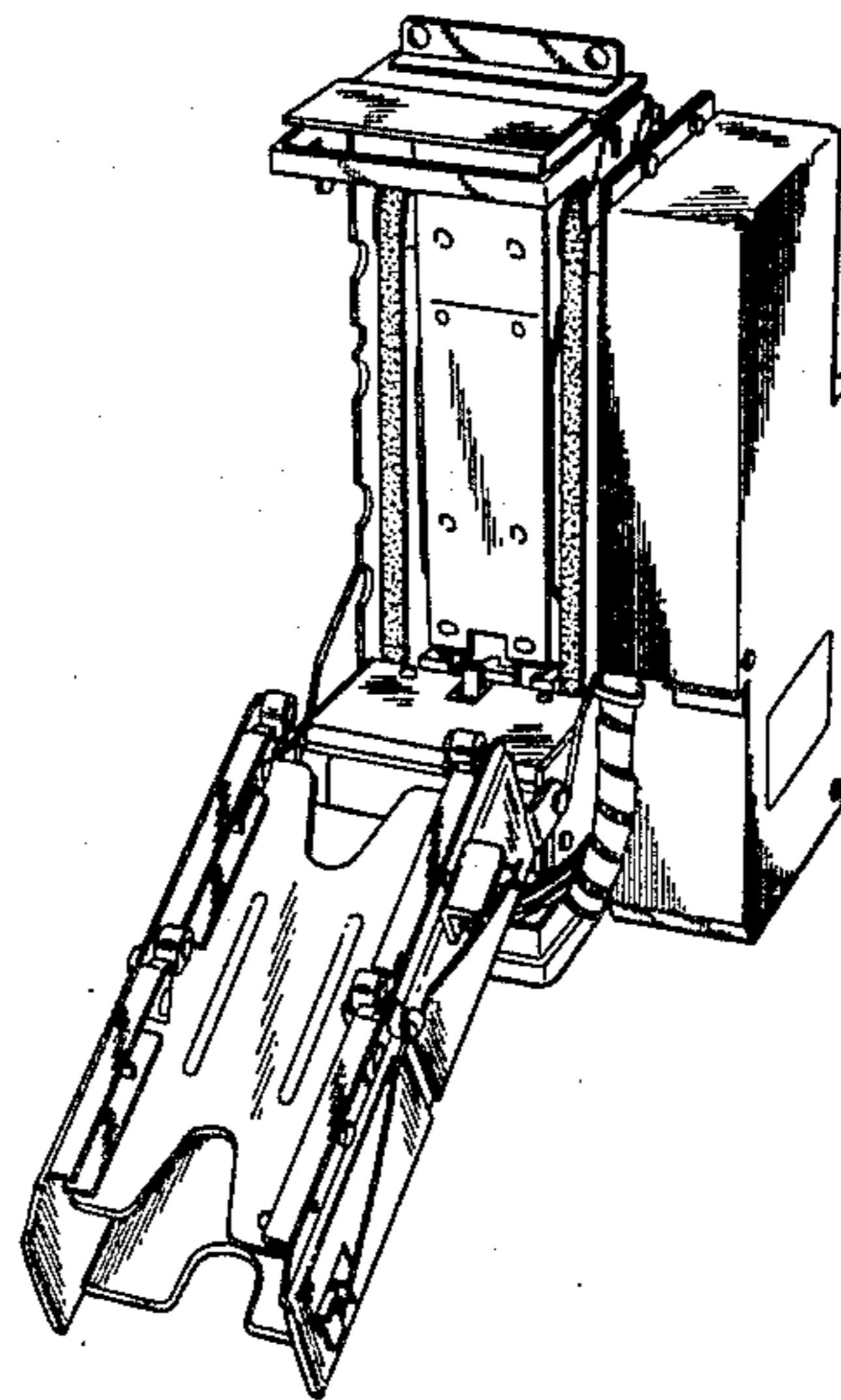
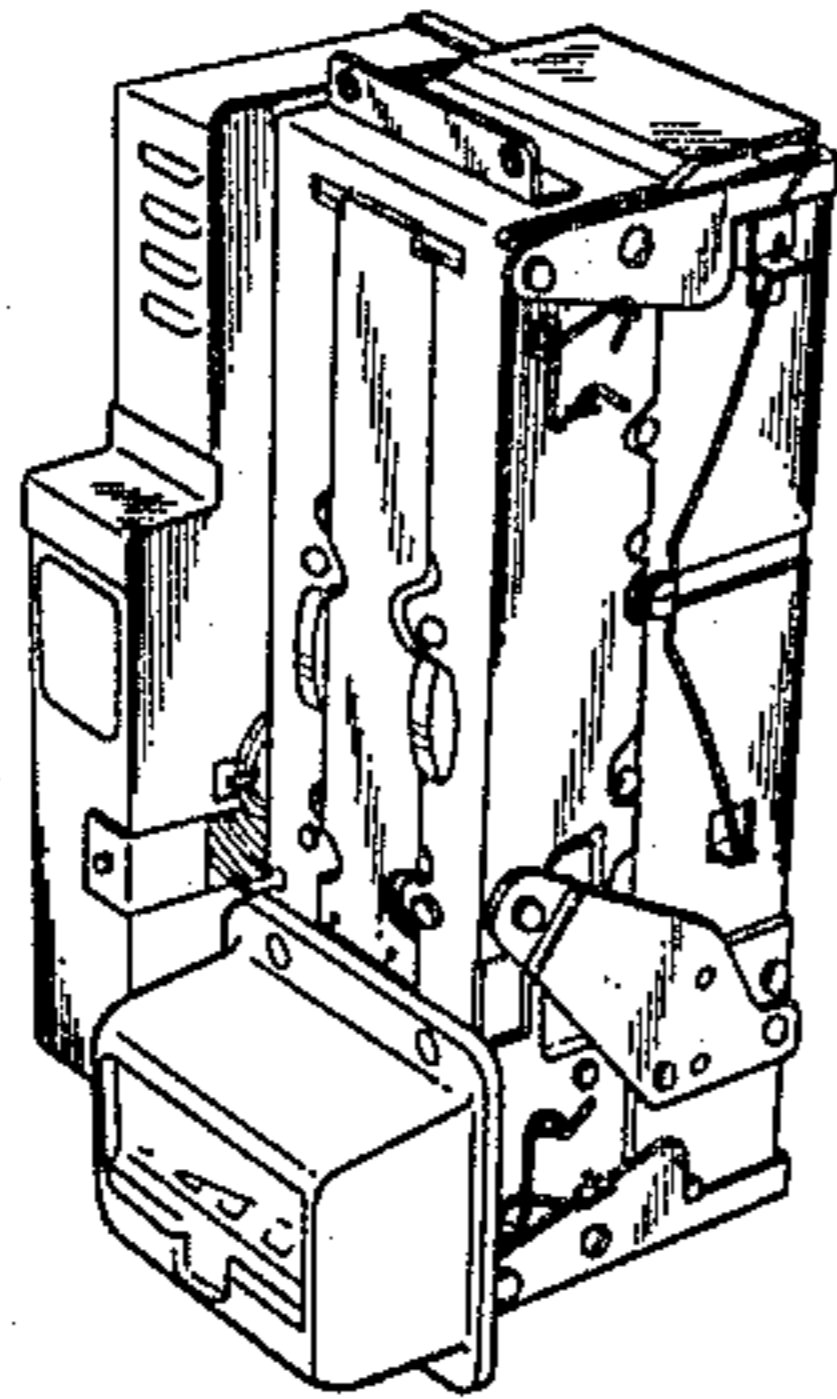
FIG. 4 is a left side elevational view thereof;

FIG. 5 is a top plan view thereof;

FIG. 6 is a rear elevational view thereof;

FIG. 7 is a right side elevational view thereof and

FIG. 8 is a bottom plan view thereof.



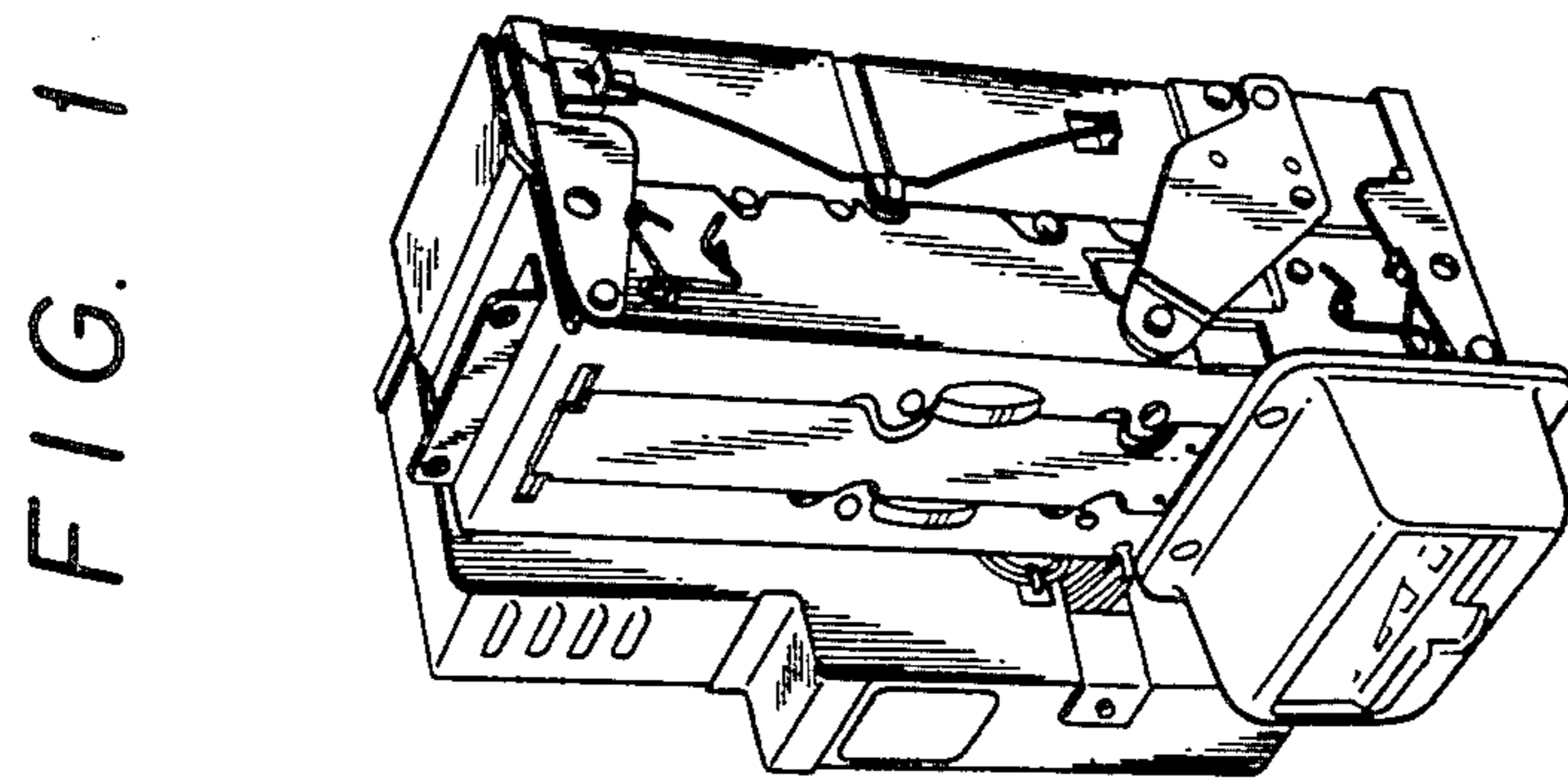
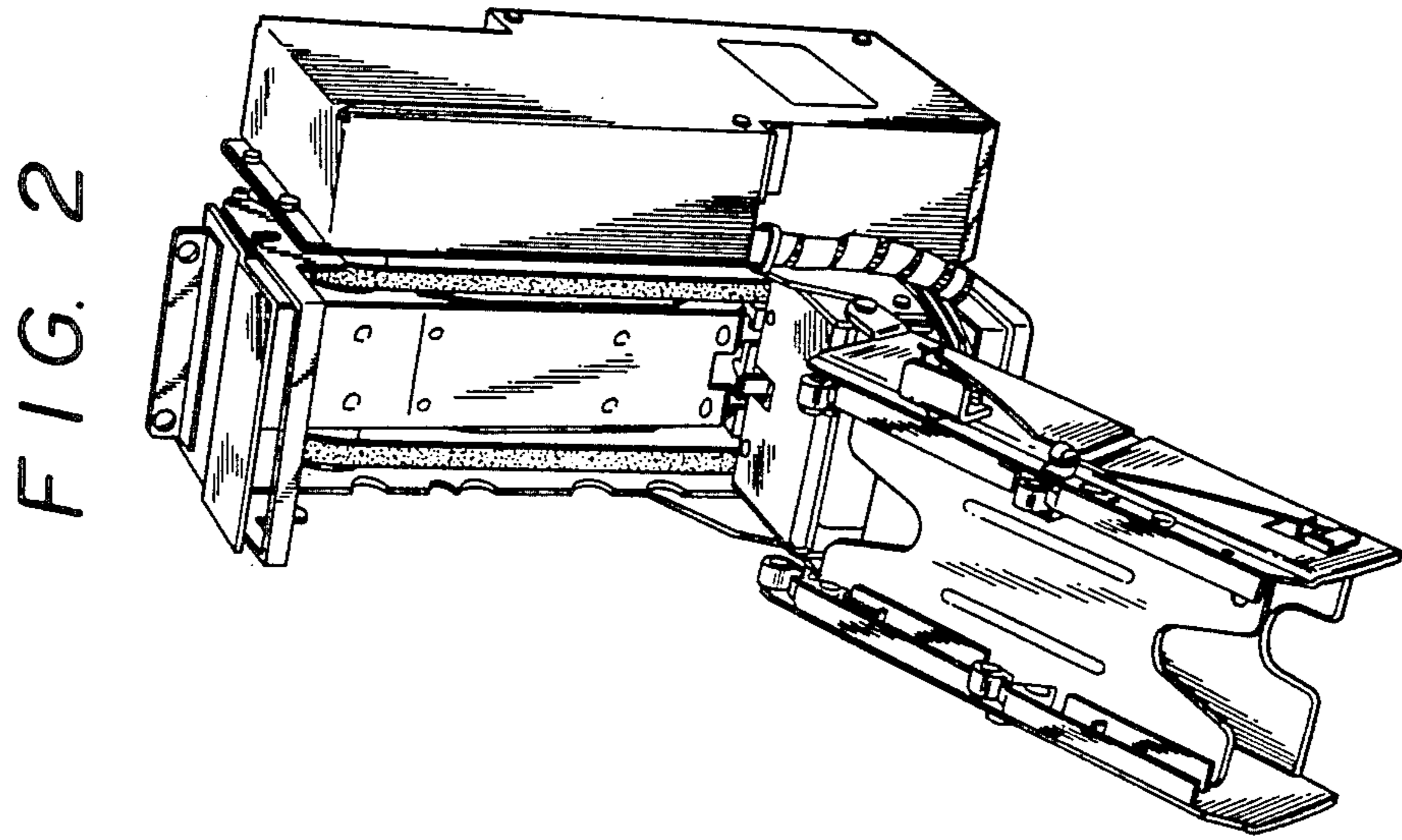


FIG. 3

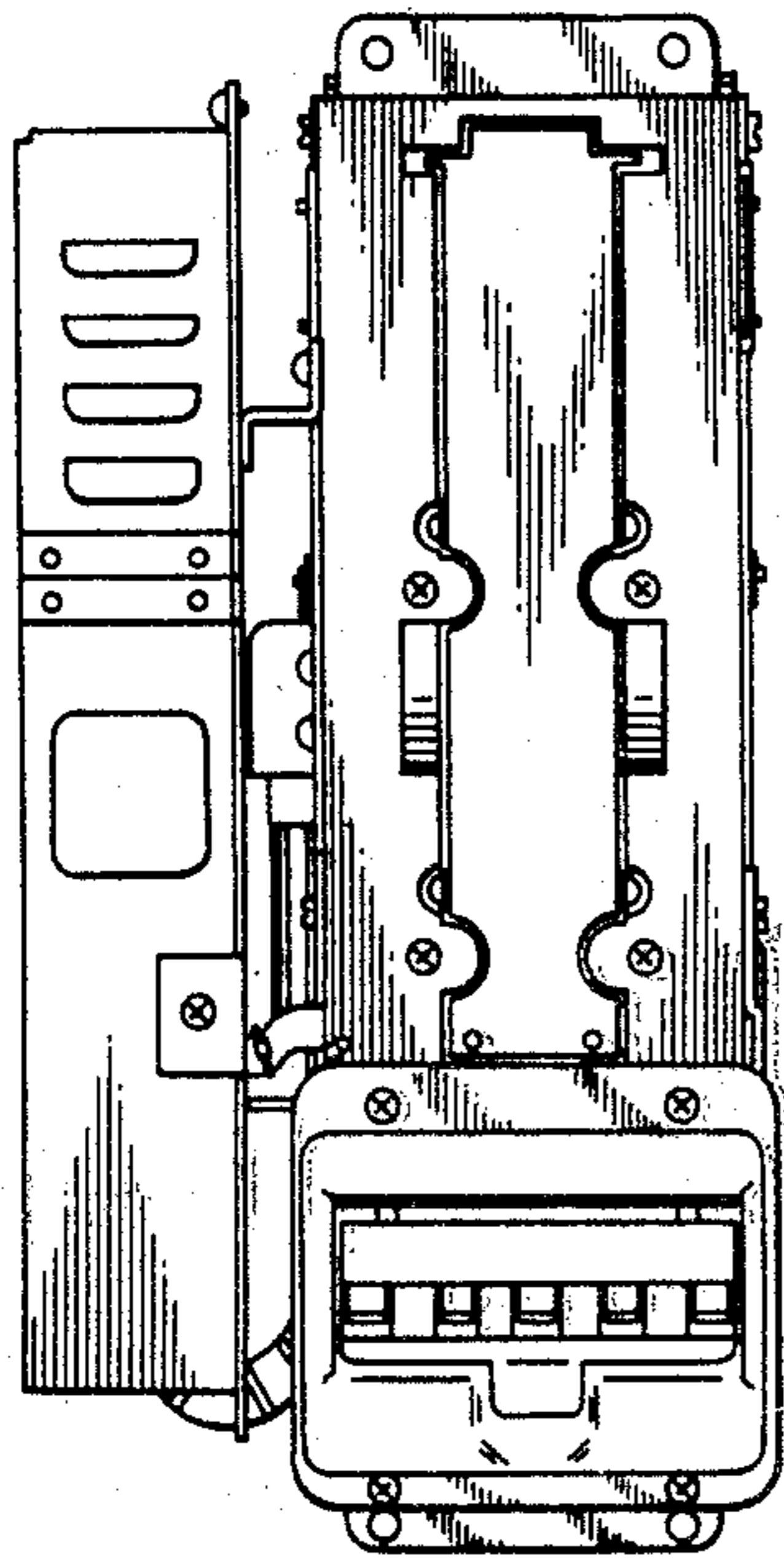


FIG. 4

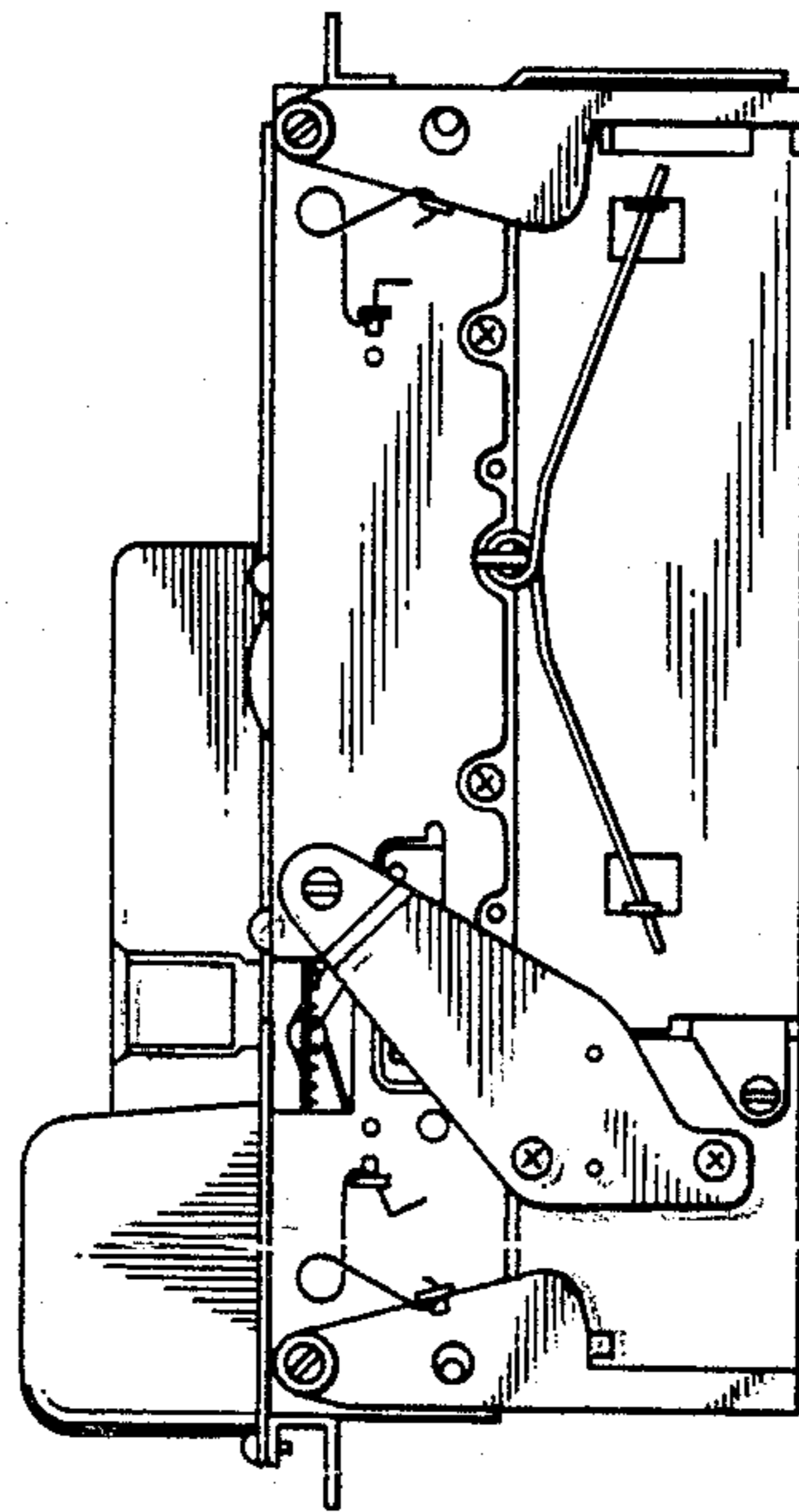


FIG. 5

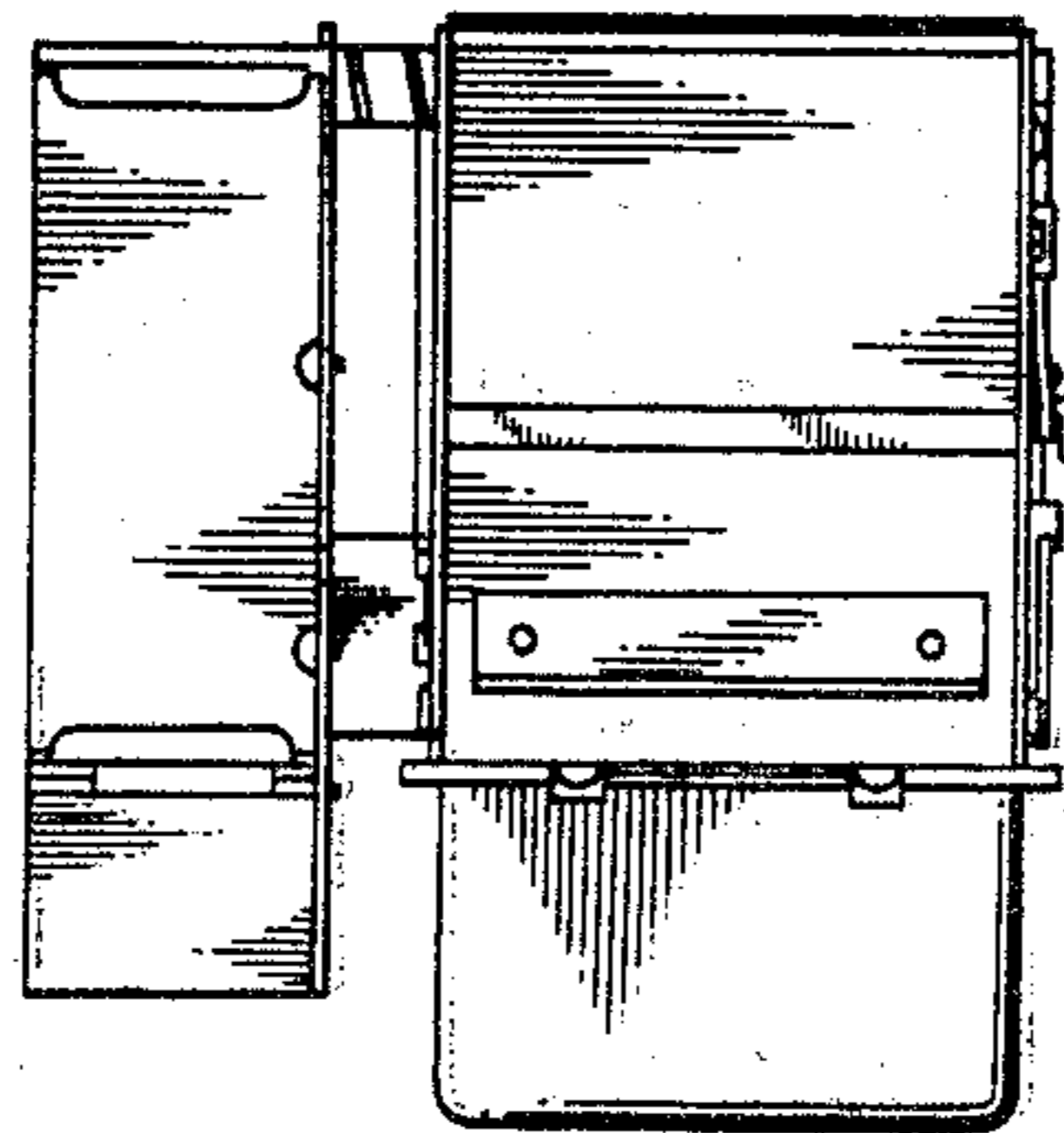


FIG. 6

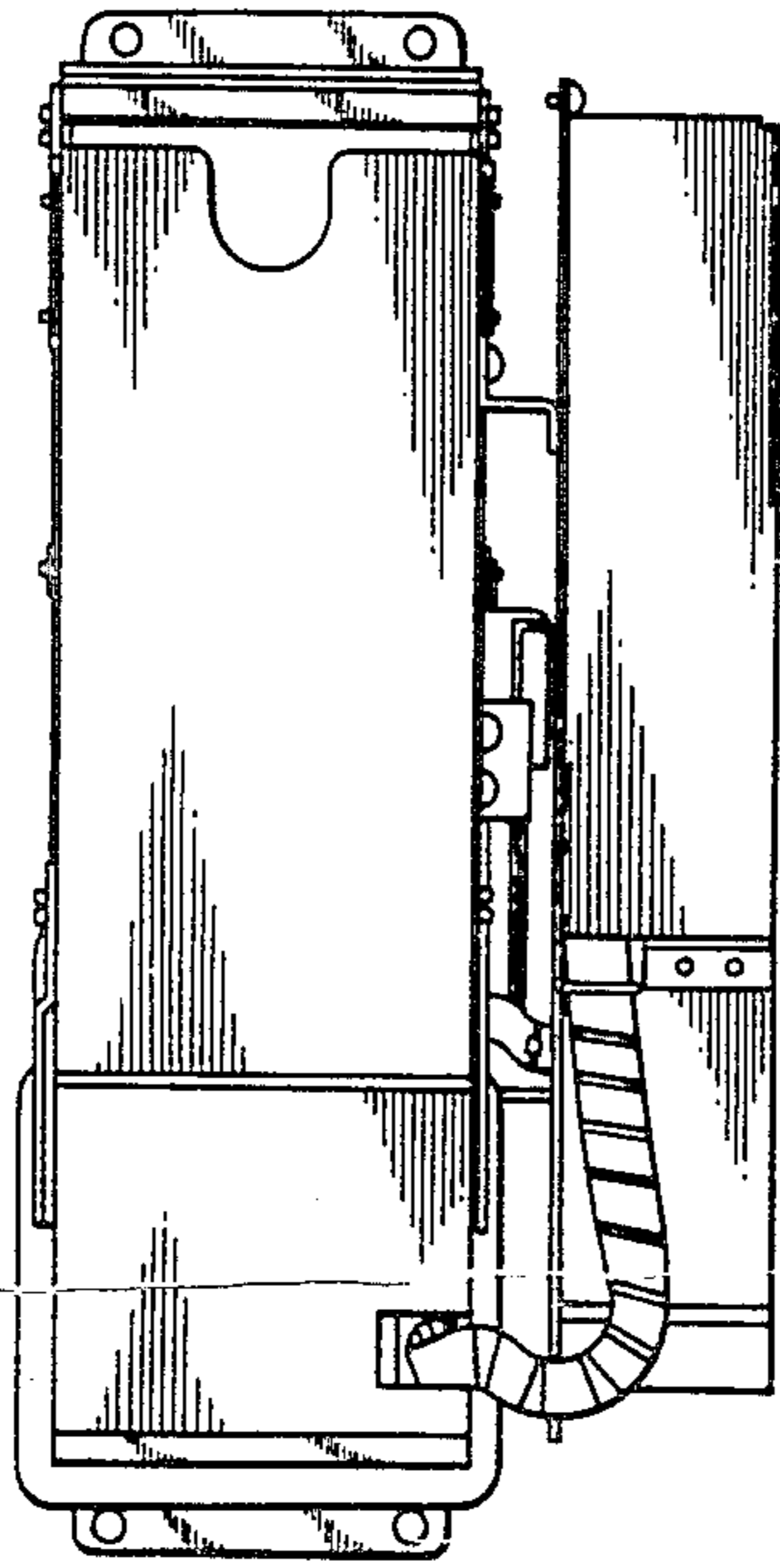


FIG. 7

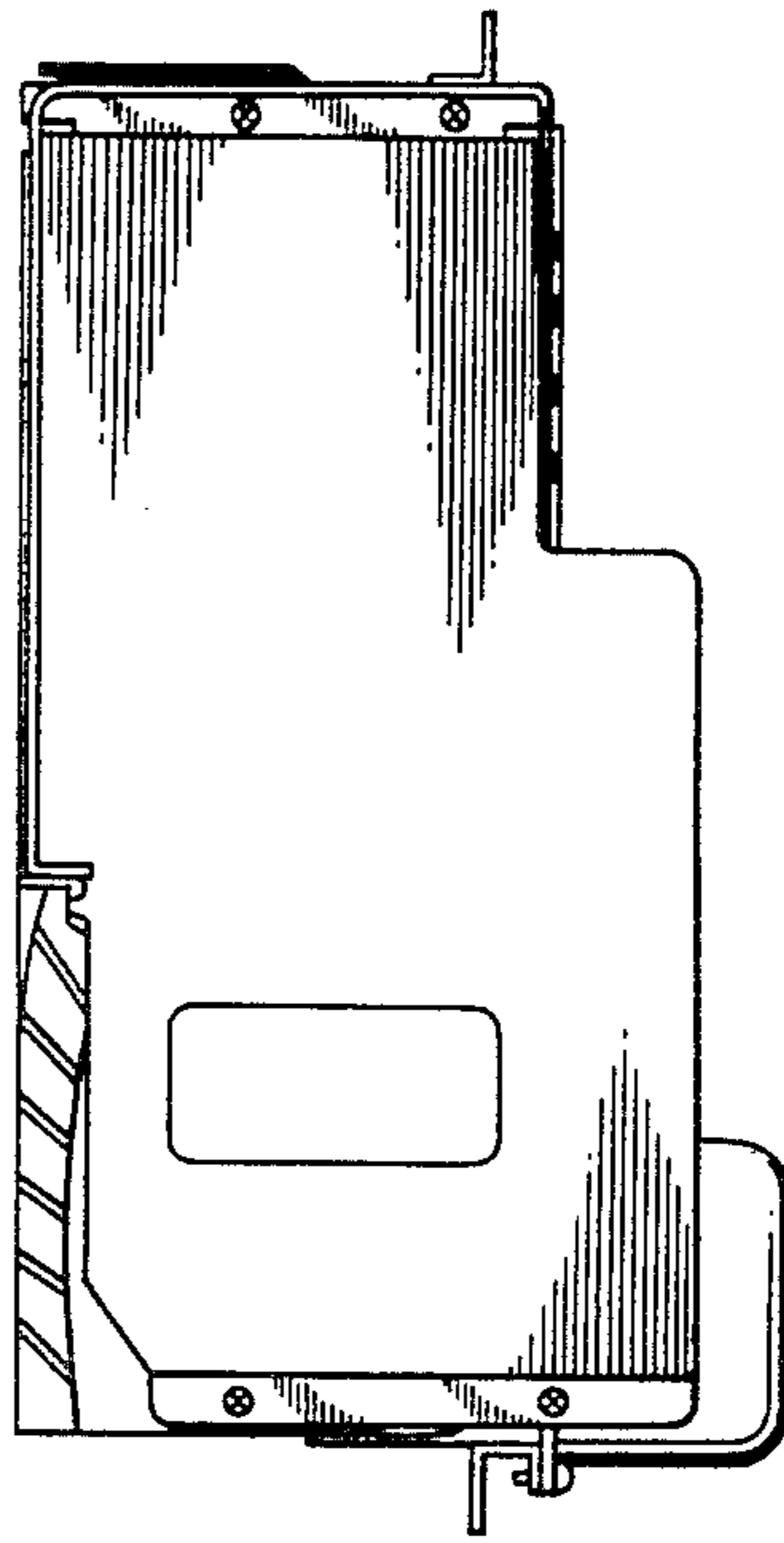


FIG. 8

