

[54] **HOIST CAGE FOR USE IN DIVING**

[75] **Inventor: John R. Åkerlund, Karlskrona, Sweden**

[73] **Assignee: ScandCourier, Sweden**

[**] **Term: 14 Years**

[21] **Appl. No.: 608,477**

[22] **Filed: May 9, 1984**

[30] **Foreign Application Priority Data**

Nov. 10, 1983 [SE] Sweden 83-2952

[52] **U.S. Cl. D34/35**

[58] **Field of Search D34/35; 182/142; 244/137 P, 137 R; 405/185, 186**

[56] **References Cited**

U.S. PATENT DOCUMENTS

9,790	7/1881	Winkless	182/142
2,817,860	12/1957	Fritz	244/137 P
3,425,231	2/1969	Rehrer	405/185
3,706,206	12/1972	Clark	405/185
4,195,694	4/1980	Gizzarelli, Sr.	182/142

4,406,351	9/1983	Littlejohn et al.	182/142
4,564,161	1/1986	Frye	244/137 P
4,583,617	4/1986	Berger	182/142

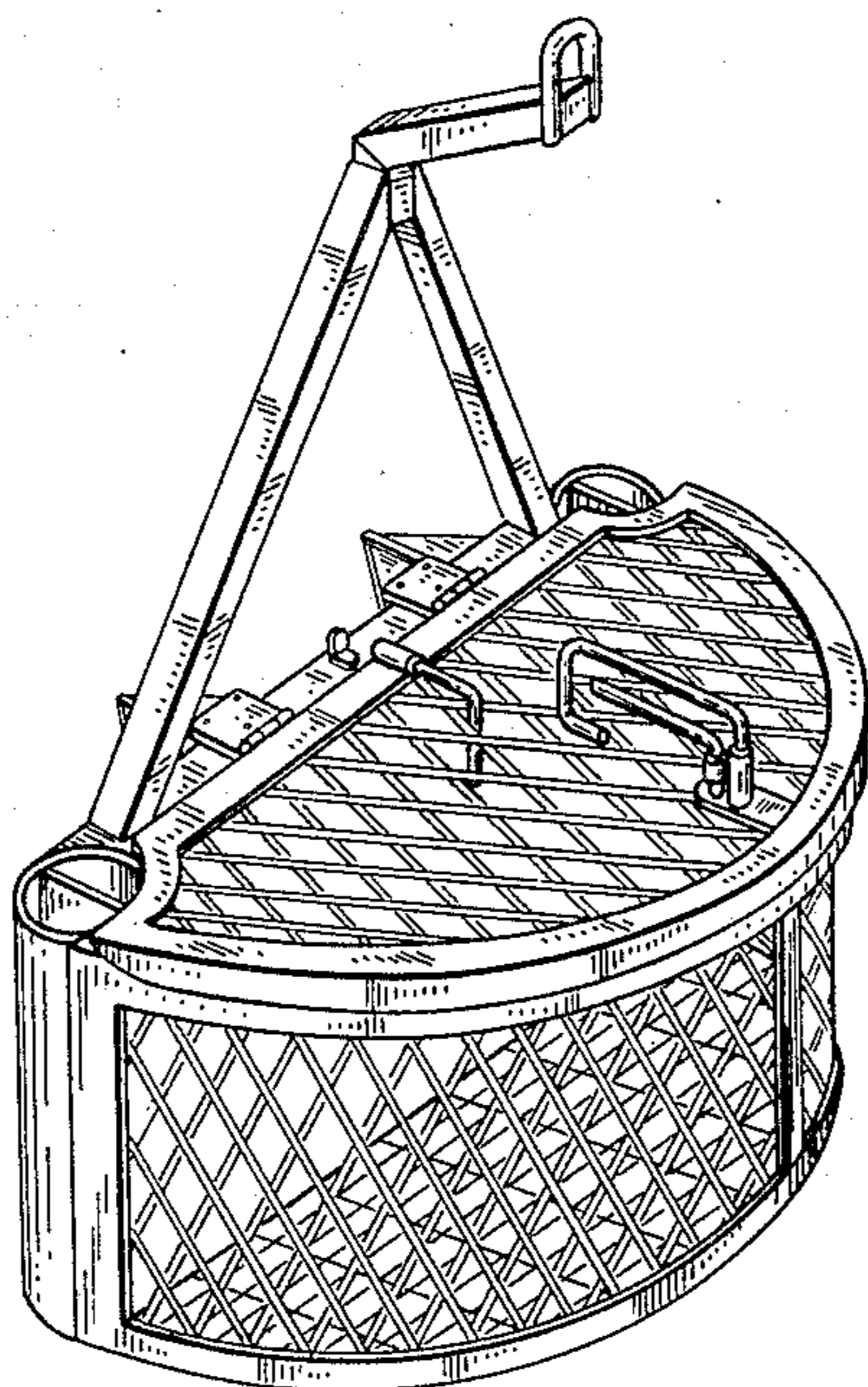
Primary Examiner—Wallace R. Burke
Assistant Examiner—Kay H. Chin
Attorney, Agent, or Firm—Ostrolenk, Faber, Gerb & Soffen

[57] **CLAIM**

The ornamental design for a hoist cage for use in diving, as shown and described.

DESCRIPTION

FIG. 1 is a perspective view of a hoist cage for use in diving showing my new design;
FIG. 2 is a front elevation view thereof;
FIG. 3 is a rear elevation view thereof;
FIG. 4 is a top plan view thereof;
FIG. 5 is a bottom plan view thereof;
FIG. 6 is a side elevation view thereof, the opposite side being a mirror image of that shown;
FIG. 7 is a front elevation view thereof, showing the top in fully open condition;
FIG. 8 is a side elevation of FIG. 7.



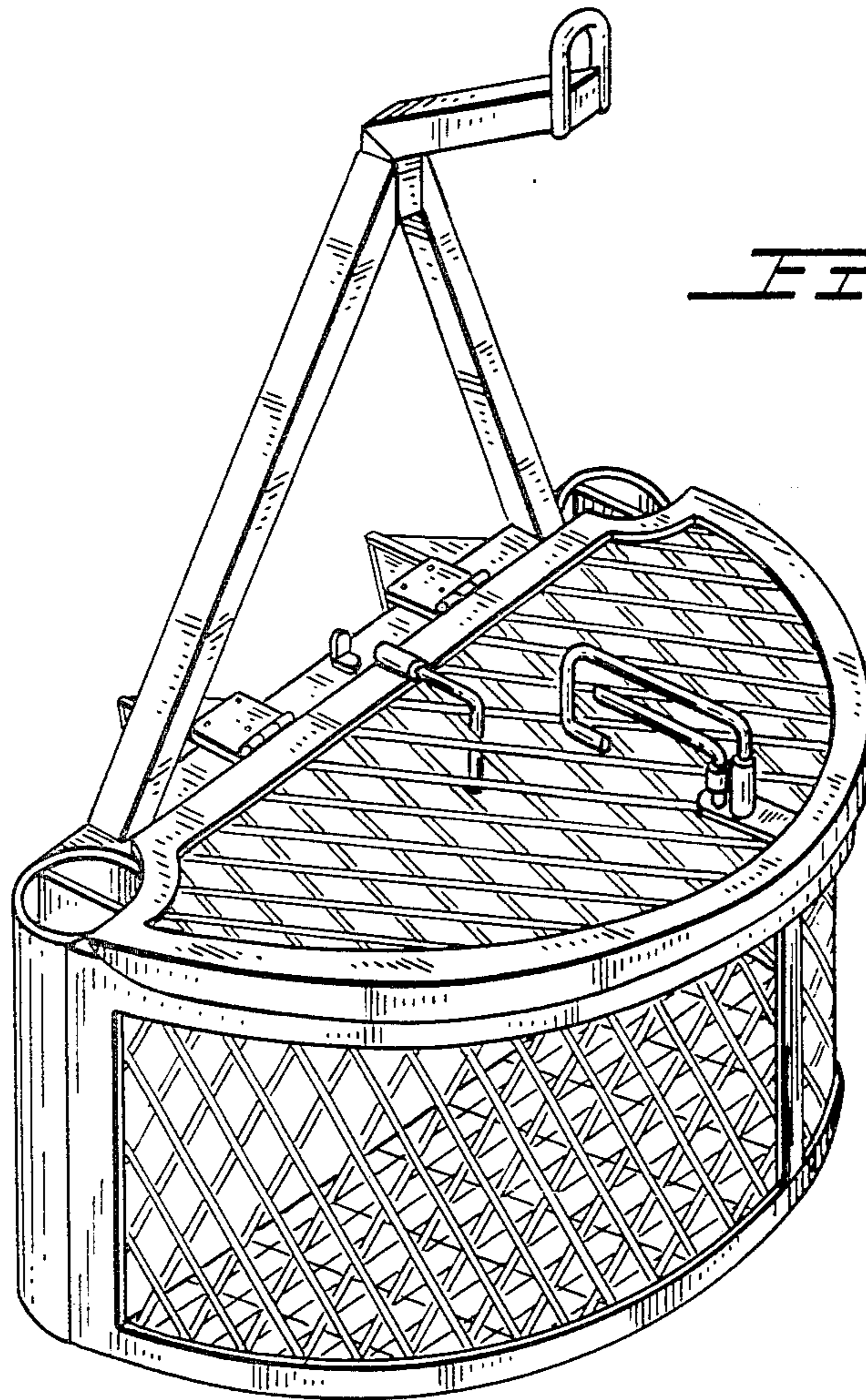


FIG. 1.

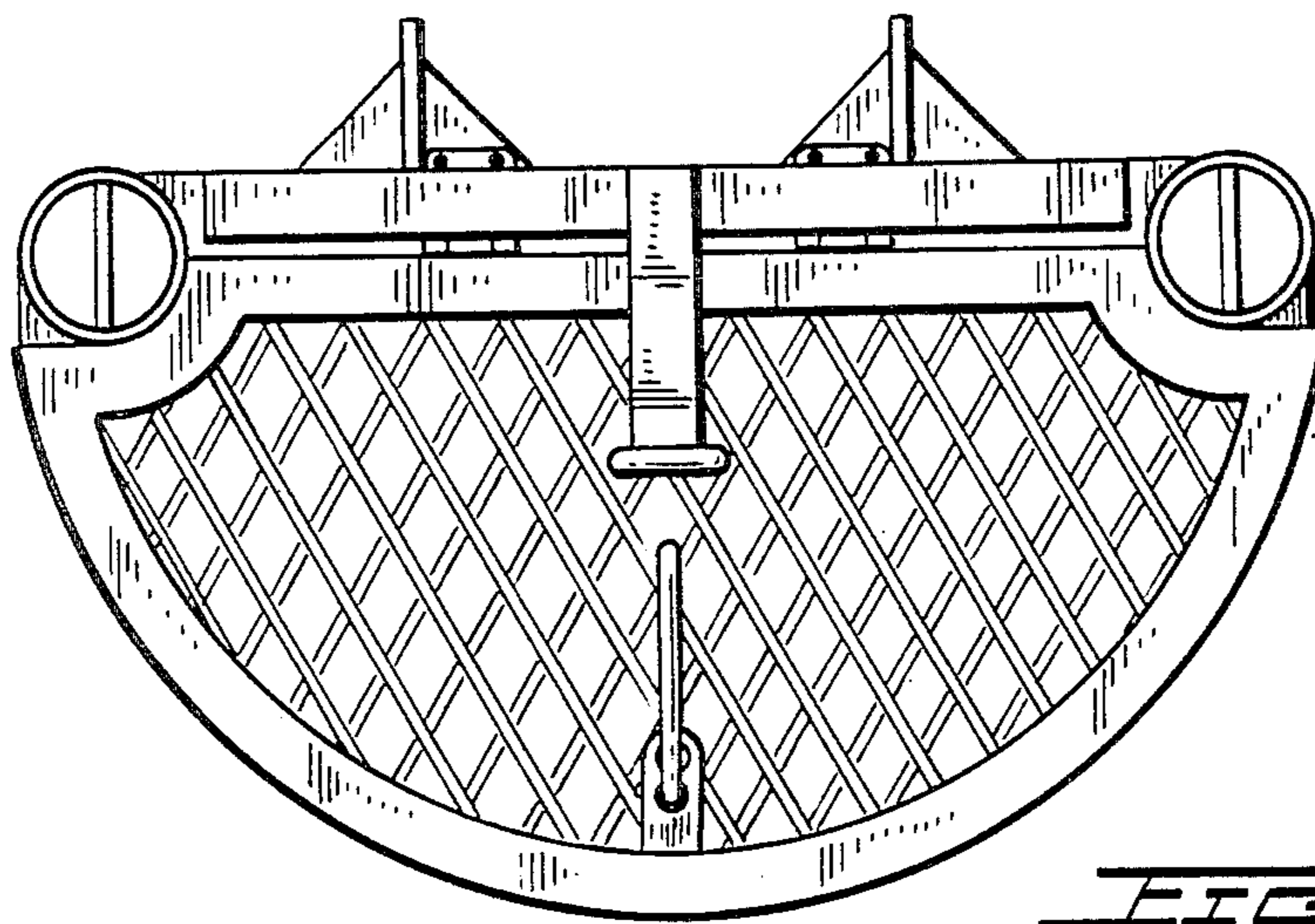
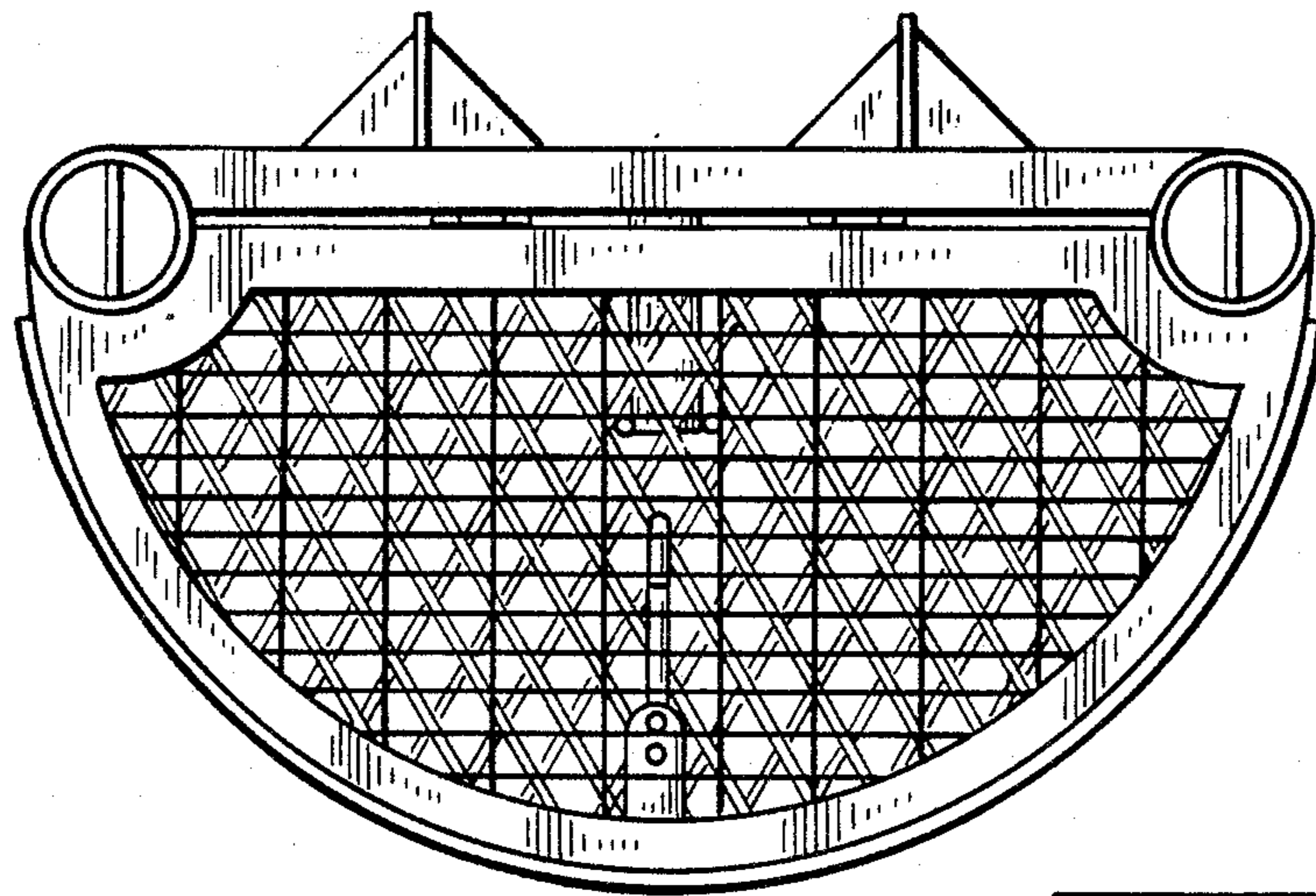
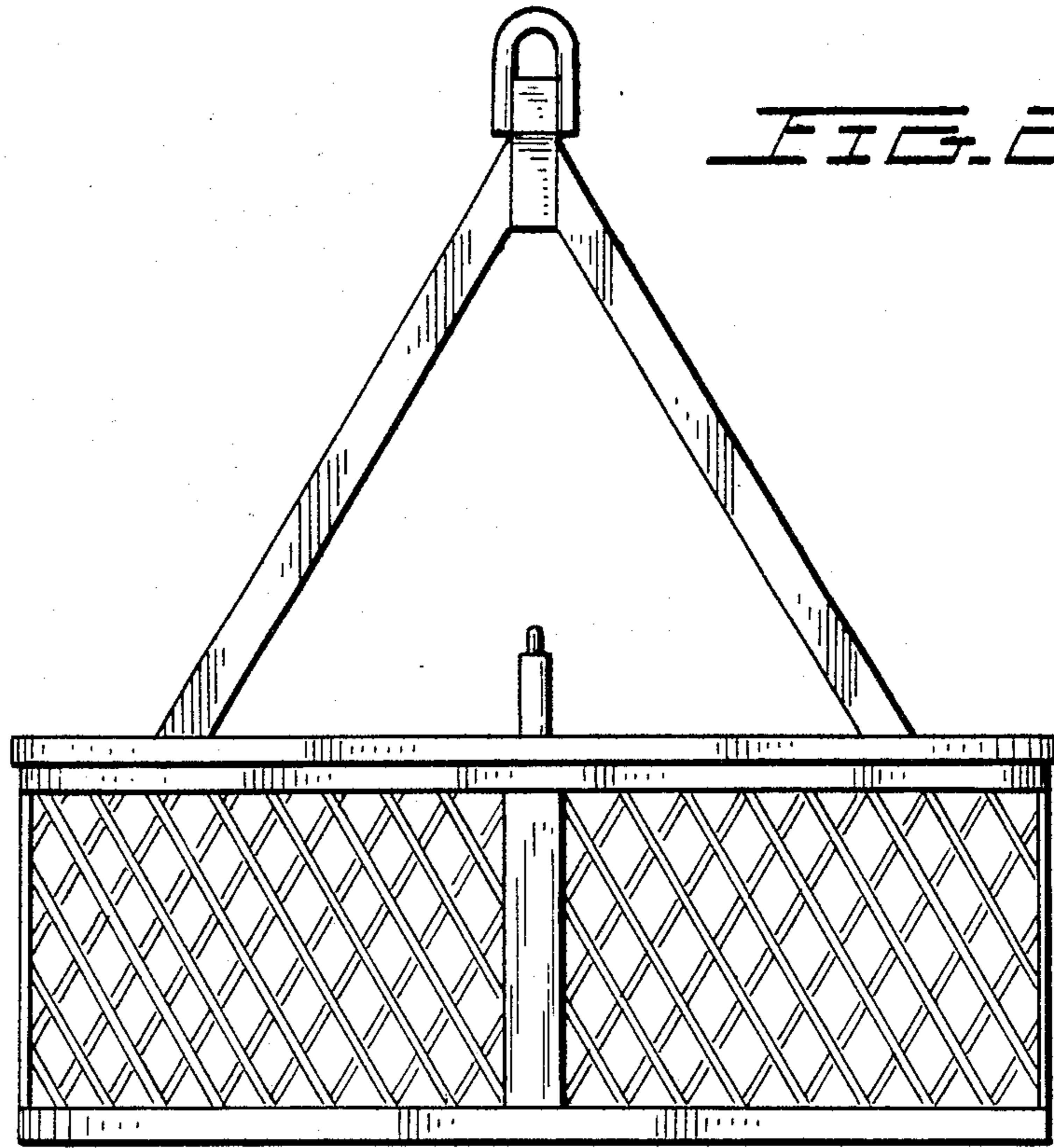


FIG. 4.



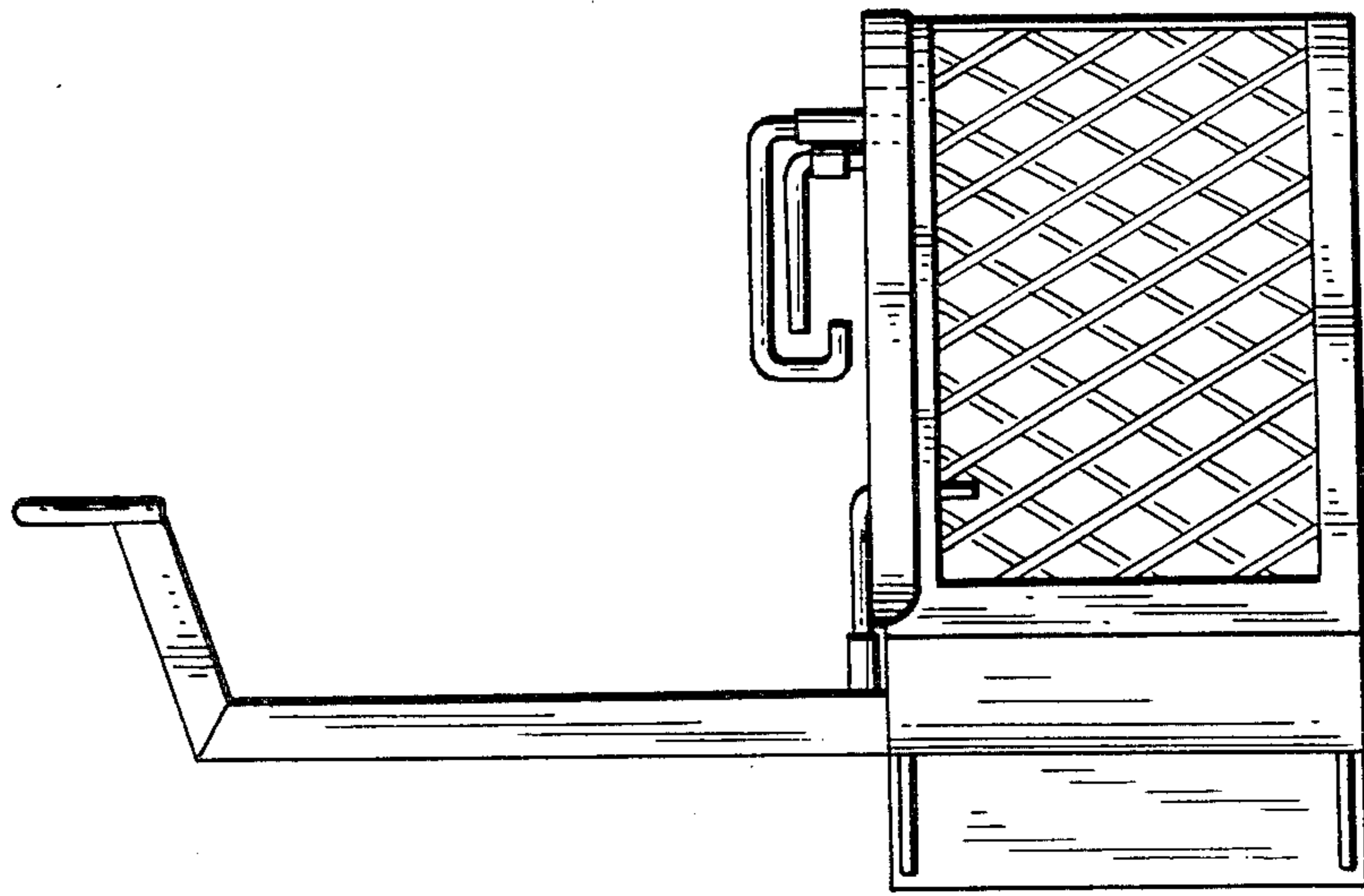


FIG. 6.

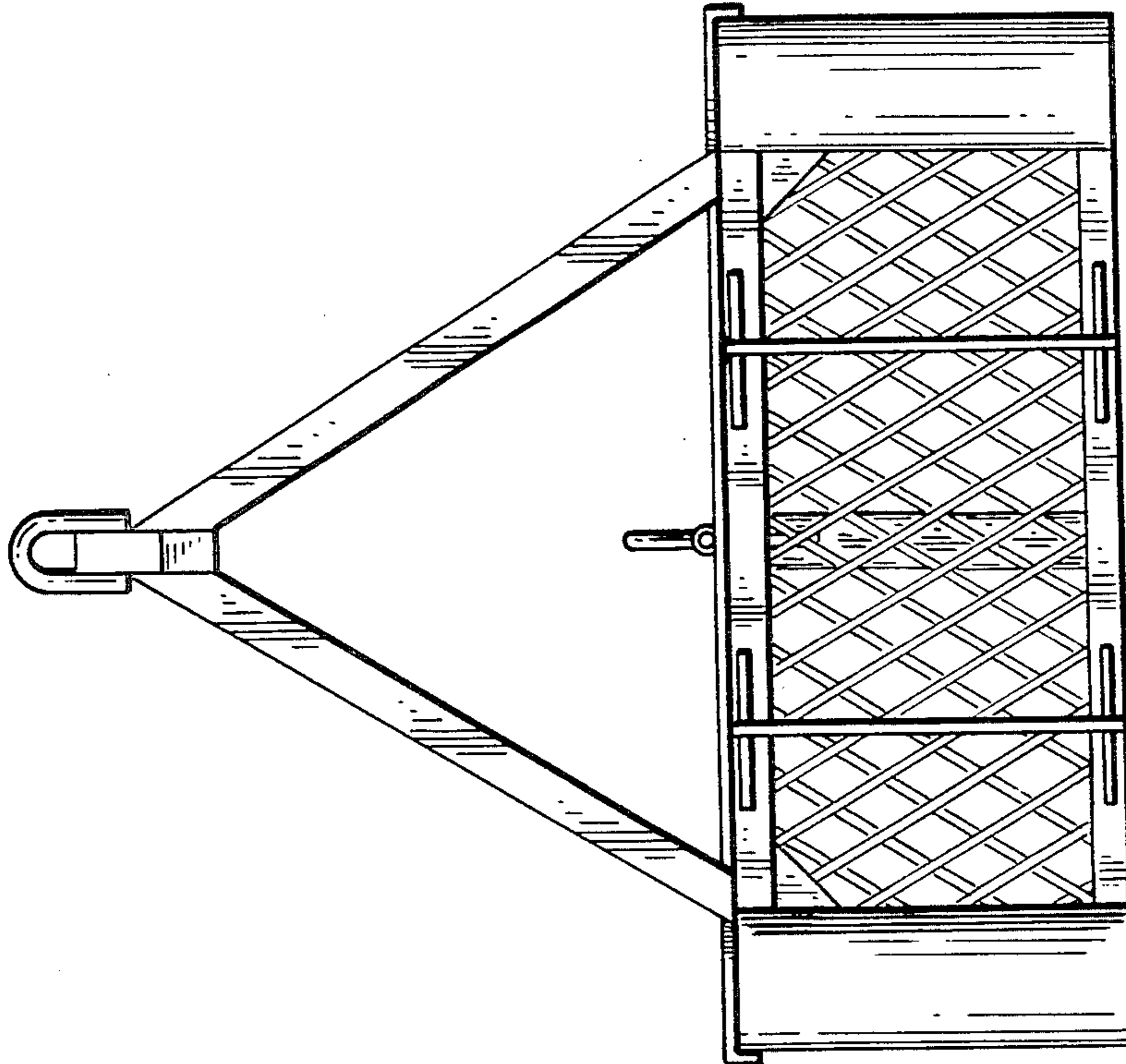


FIG. 3.

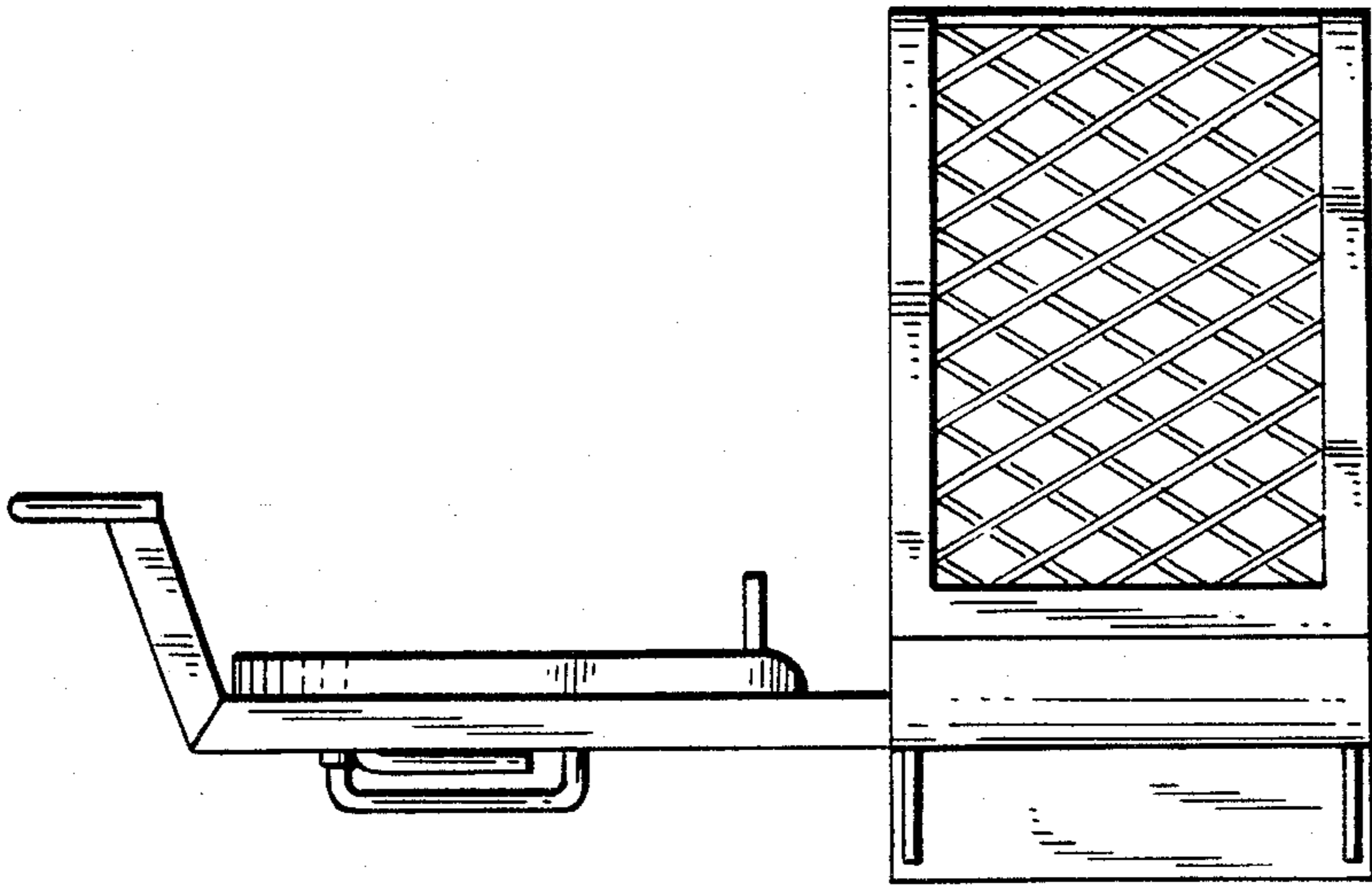


FIG. 6

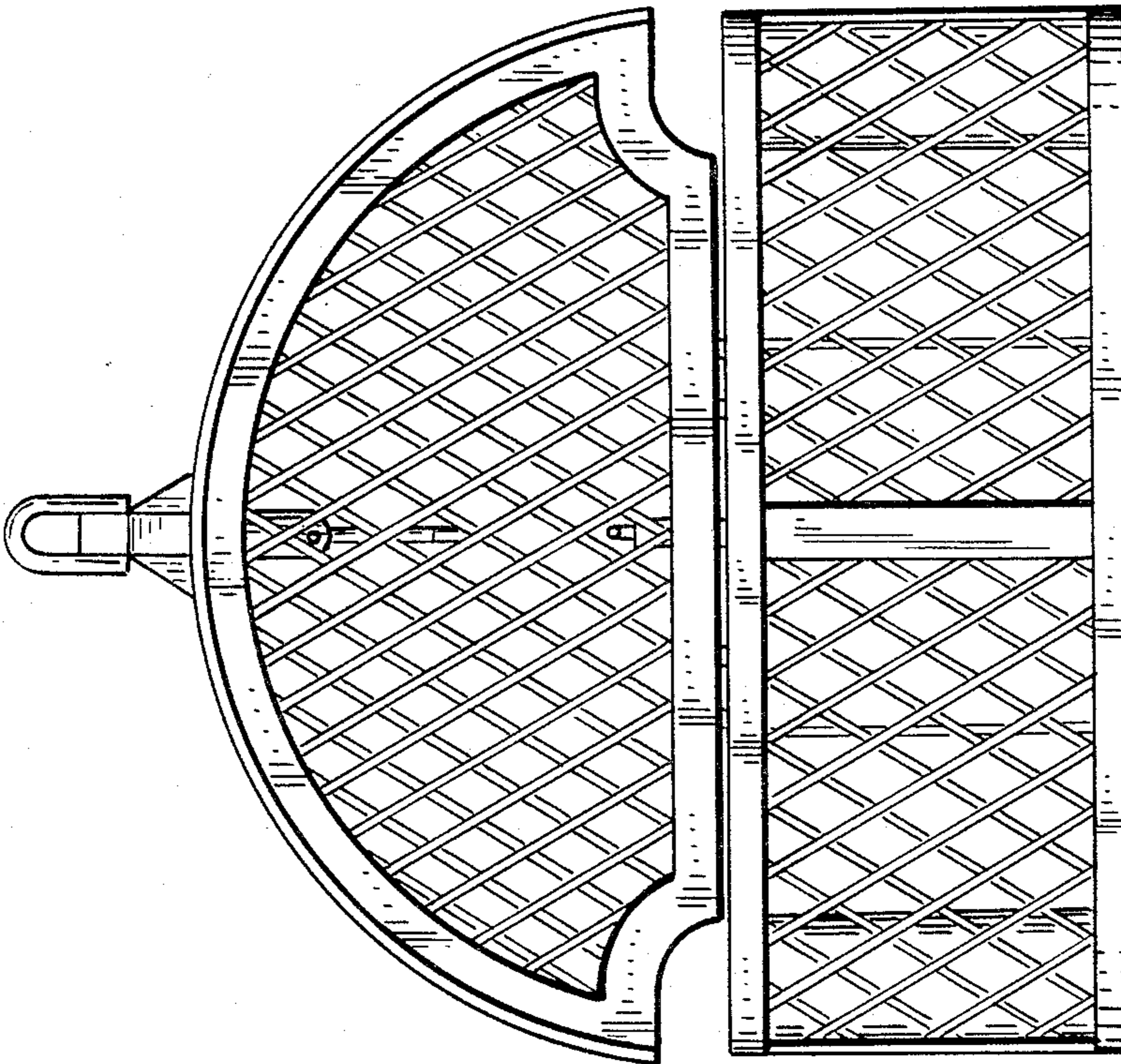


FIG. 7