

[54] ONE-PIECE DISH DRAINER TRAY OR SIMILAR ARTICLE

[76] Inventor: Alvin S. Okami, 1915 Huina St., Honolulu, Hi. 96817

[**] Term: 14 Years

[21] Appl. No.: 628,048

[22] Filed: Jul. 5, 1984

Related U.S. Application Data

[63] Continuation-in-part of Ser. No. 388,447, Jun. 14, 1982, abandoned.

[52] U.S. Cl. D32/56

[58] Field of Search 4/654, 656; D32/55, D32/56, 57

References Cited

U.S. PATENT DOCUMENTS

D. 273,904 5/1984 Pacheco D32/56

933,180	9/1909	Johnson	4/656 X
1,224,838	5/1917	Blissman et al.	4/656 X
1,535,928	4/1925	Loudon	4/656
1,627,721	5/1927	Wolff	4/656
1,628,746	5/1927	Russel	4/656 X

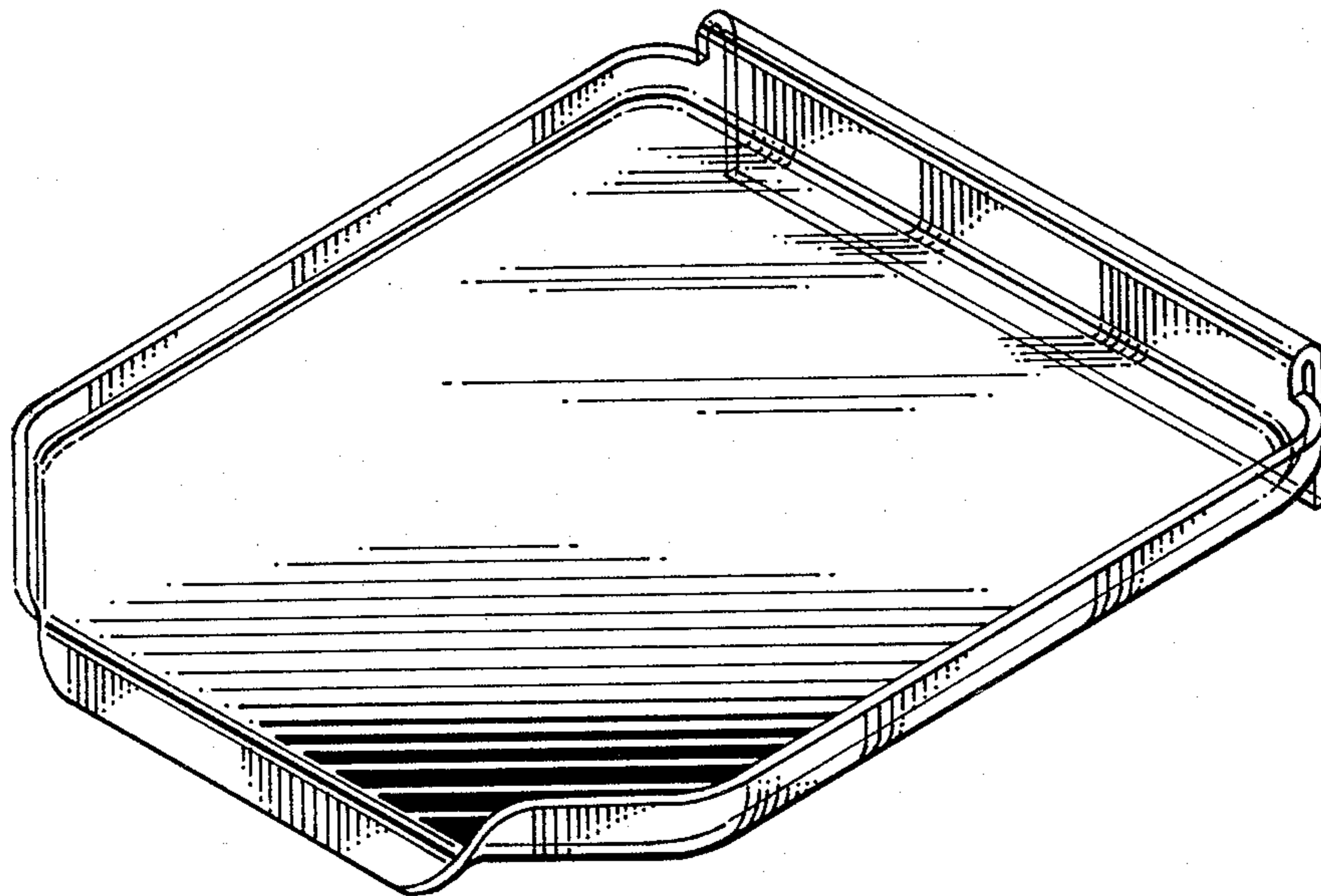
Primary Examiner—Catherine E. Kemper
Attorney, Agent, or Firm—George W. T. Loo

[57] CLAIM

The ornamental design for a one-piece dish drainer tray or similar article, substantially as shown and described.

DESCRIPTION

FIG. 1 is a top perspective view of a one-piece dish drainer tray or similar article showing my new design. FIG. 2 is a side elevational view thereof; the side opposite being a mirror image thereof. FIG. 3 is a top plan view thereof. FIG. 4 is a bottom plan view thereof. FIG. 5 is a front elevational view thereof. FIG. 6 is a rear elevational view thereof.



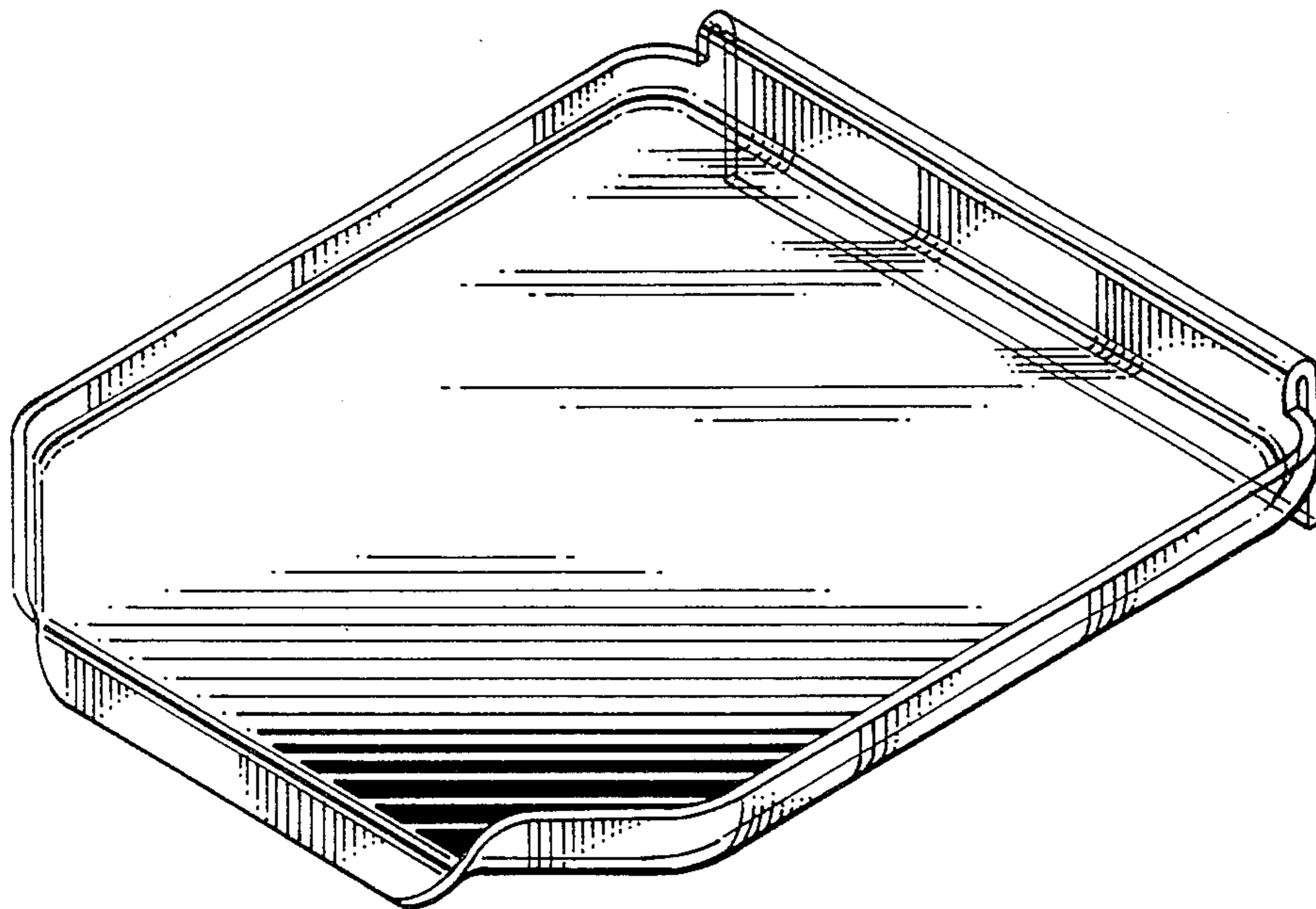


FIG. 1

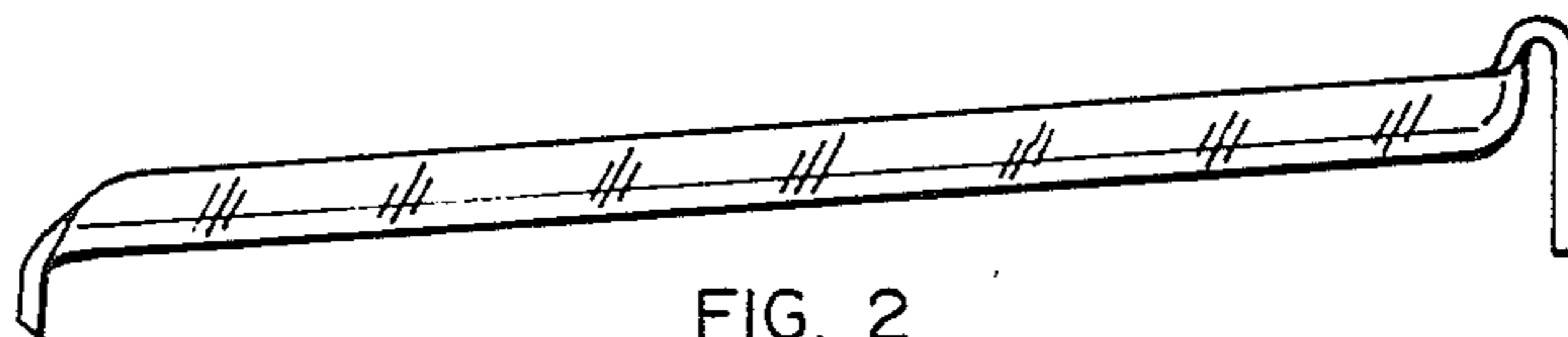


FIG. 2

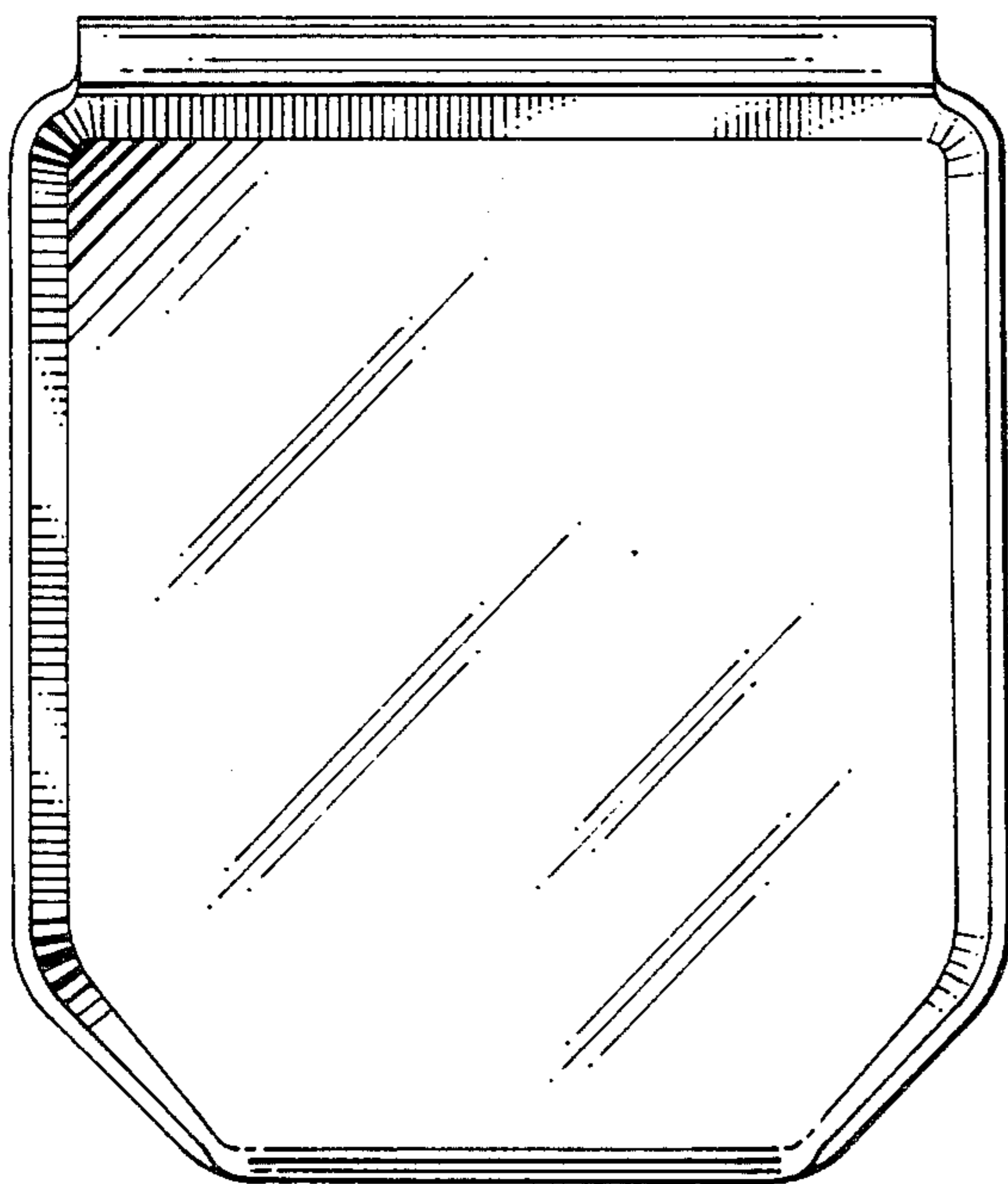


FIG. 3

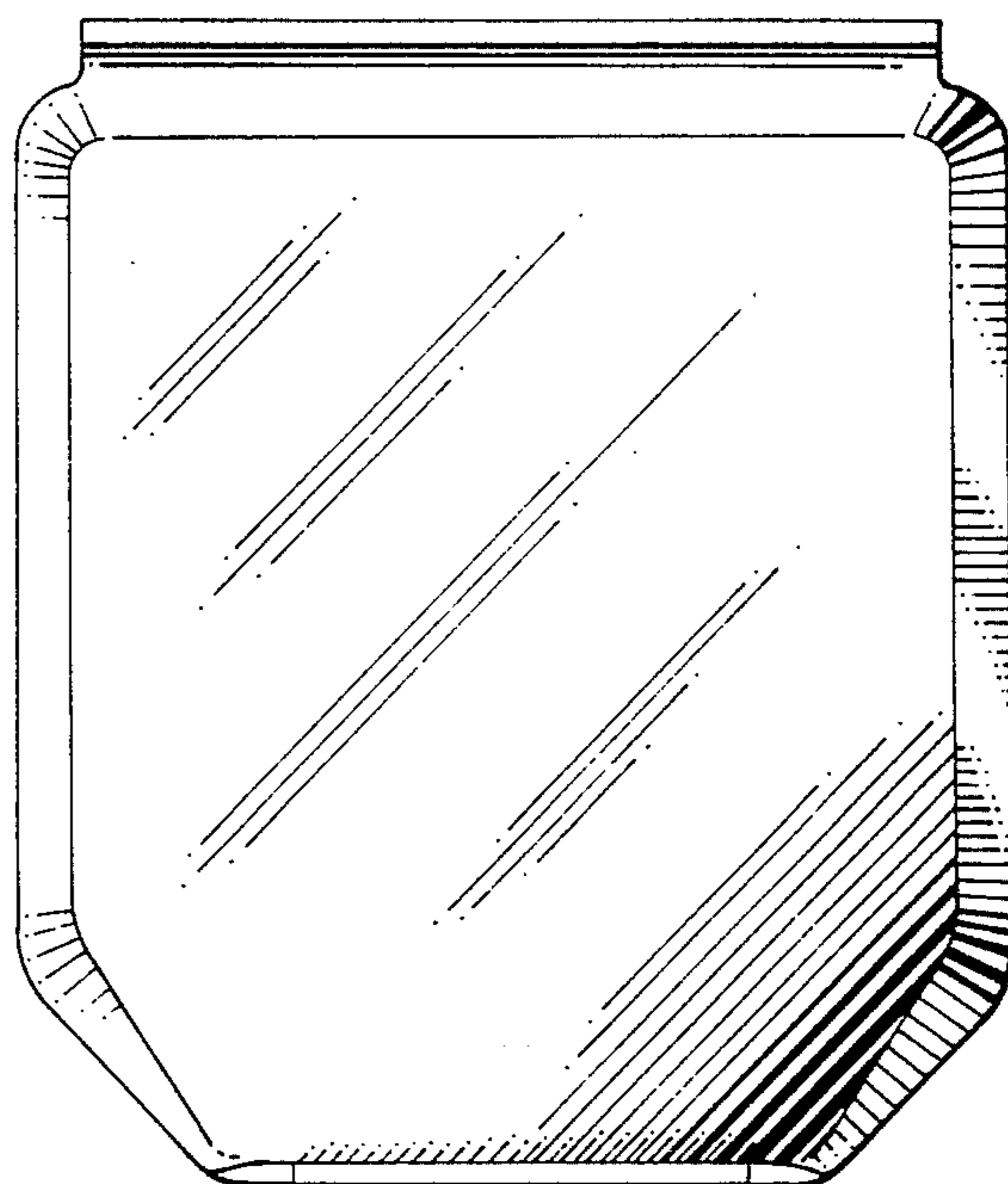


FIG. 4

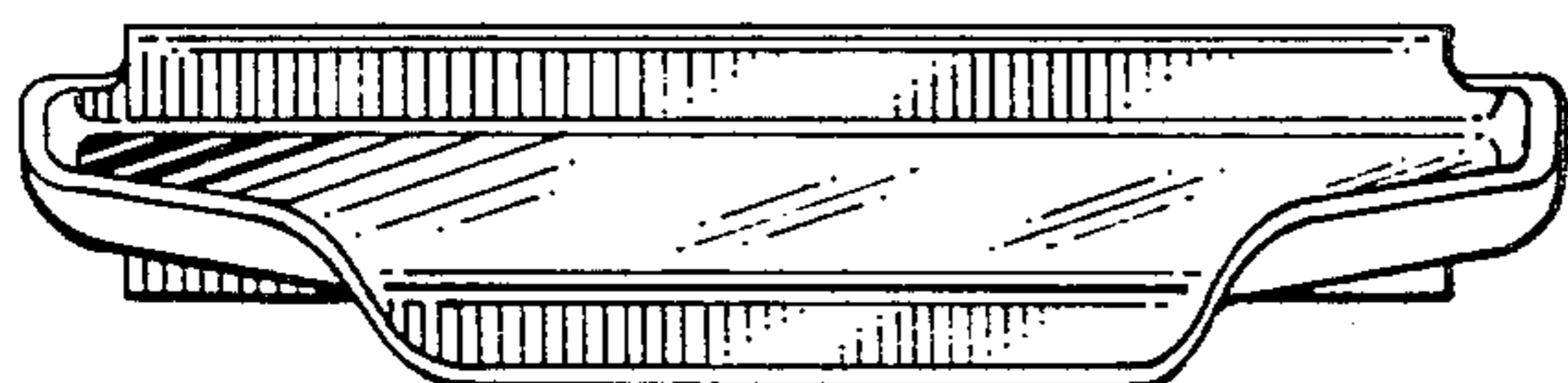


FIG. 5

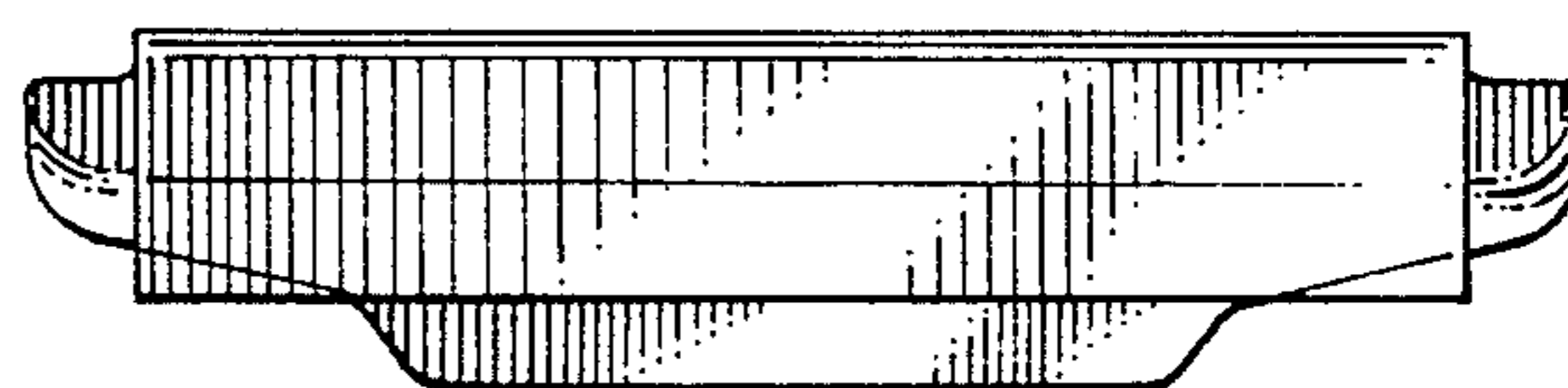


FIG. 6