

[54] EXTRUDED SECTION

[76] Inventor: Gary M. Lynch, La Bella Vista Nursery, M.S. 861, Fernvale, Queensland, 4305, Australia

[**] Term: 14 Years

[21] Appl. No.: 574,023

[22] Filed: Jan. 26, 1984

[30] Foreign Application Priority Data

Jul. 27, 1983 [AU] Australia 4543/83
[52] U.S. Cl. D25/74
[58] Field of Search D25/74-96;
52/716

[56]

References Cited

U.S. PATENT DOCUMENTS

D. 201,673	7/1965	Stevens	D25/74
D. 237,103	10/1975	Fisher	D25/74
2,705,820	4/1955	Torrence	52/716 X
4,267,876	5/1981	Bloomfield	D25/74 X

Primary Examiner—A. Hugo Word
Attorney, Agent, or Firm—Murray Schaffer

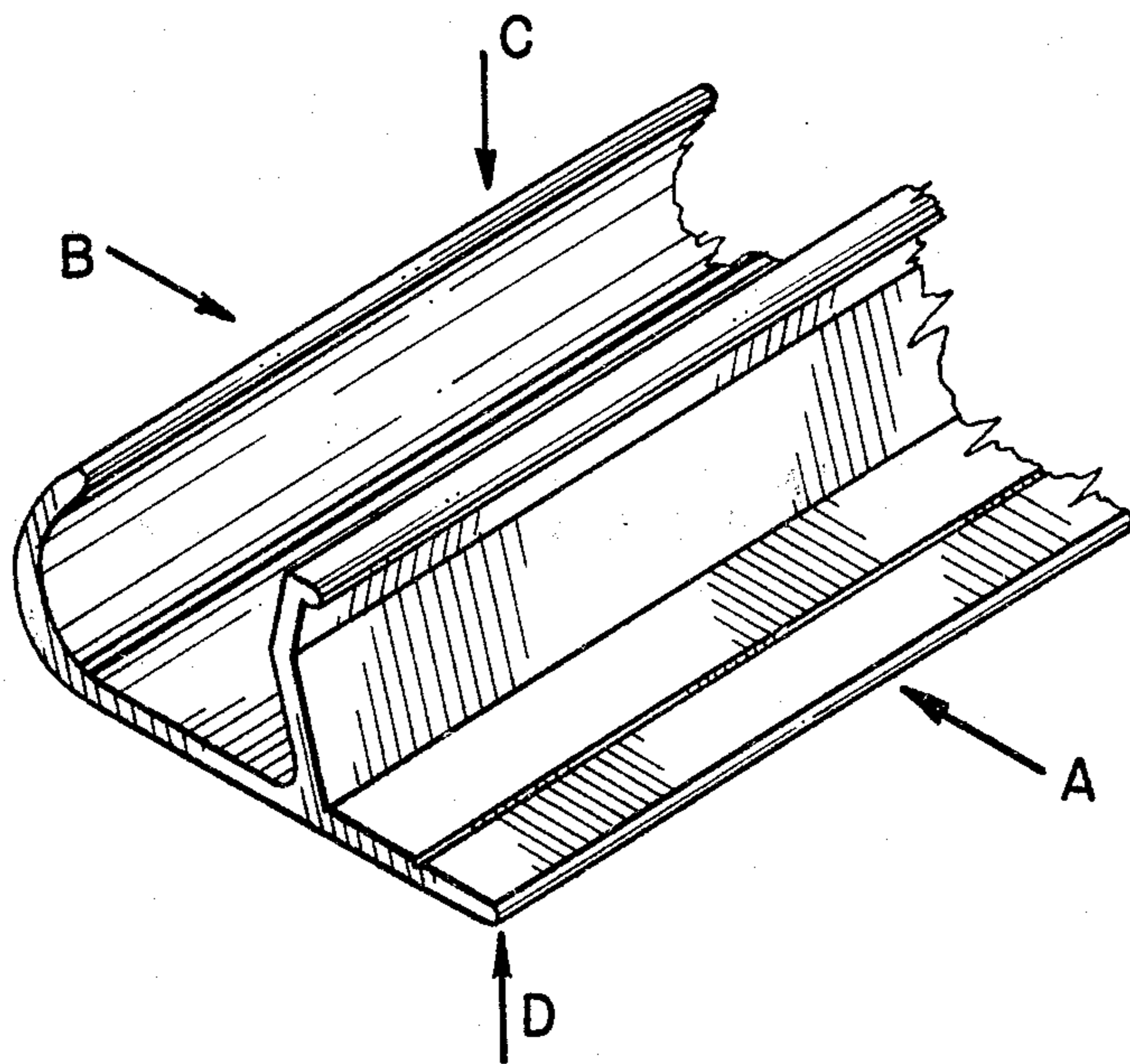
[57]

CLAIM

The ornamental design for an extruded section, as shown and described.

DESCRIPTION

FIG. 1 is a perspective view of an extruded section showing my new design;
FIG. 2 is a typical cross-sectional view thereof;
FIG. 3 is a side elevational view thereof;
FIG. 4 is an opposite side elevational view thereof;
FIG. 5 is a top plan view thereof; and
FIG. 6 is a bottom plan view thereof.



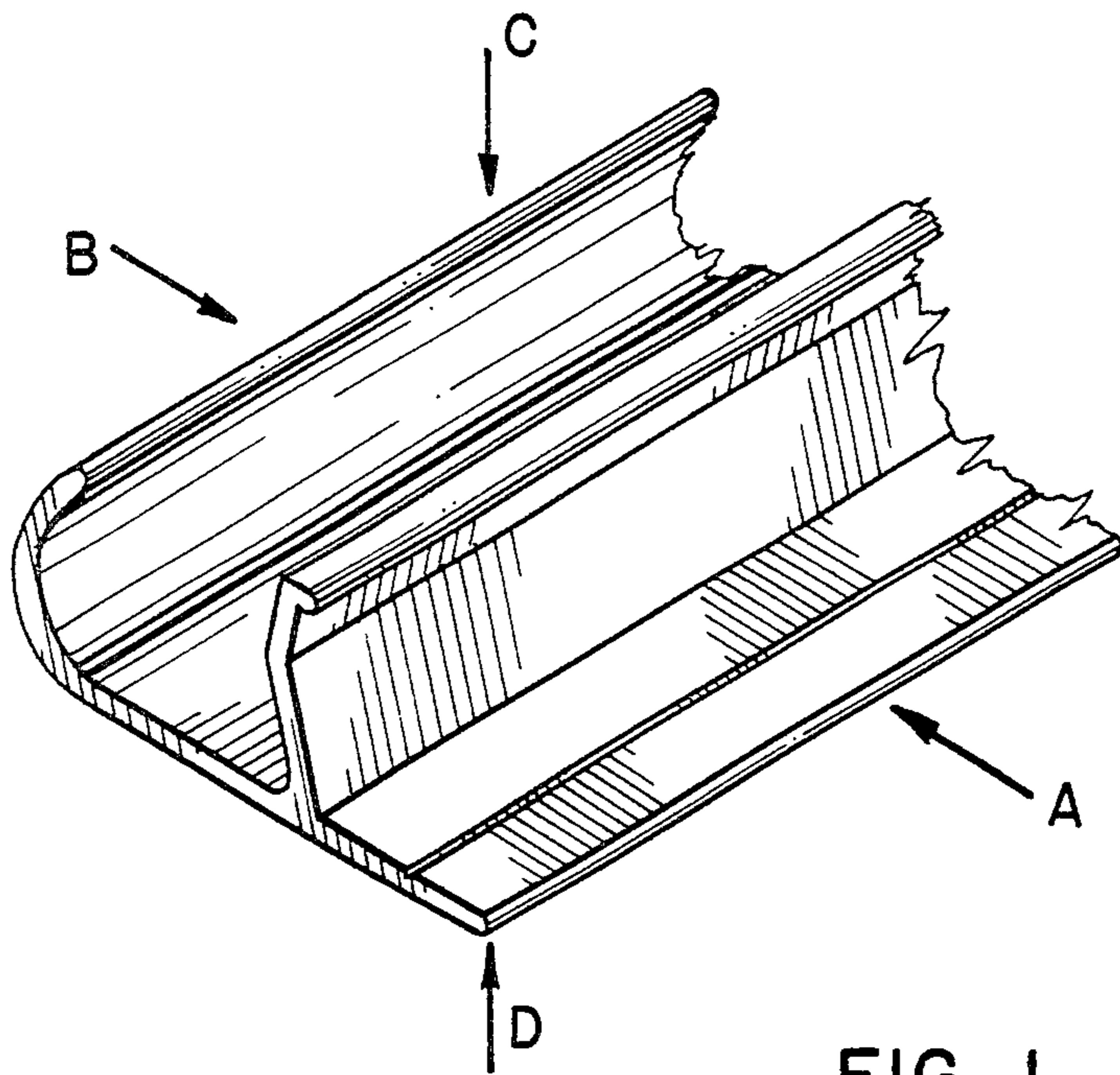


FIG. 1

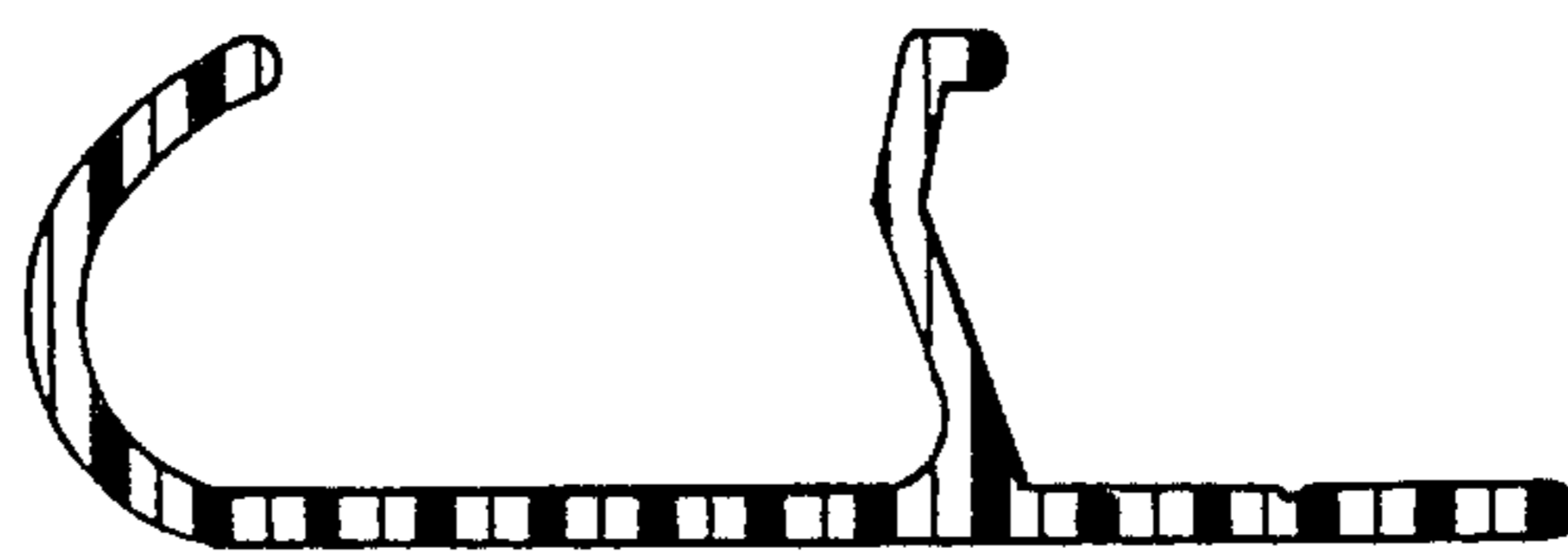


FIG. 2

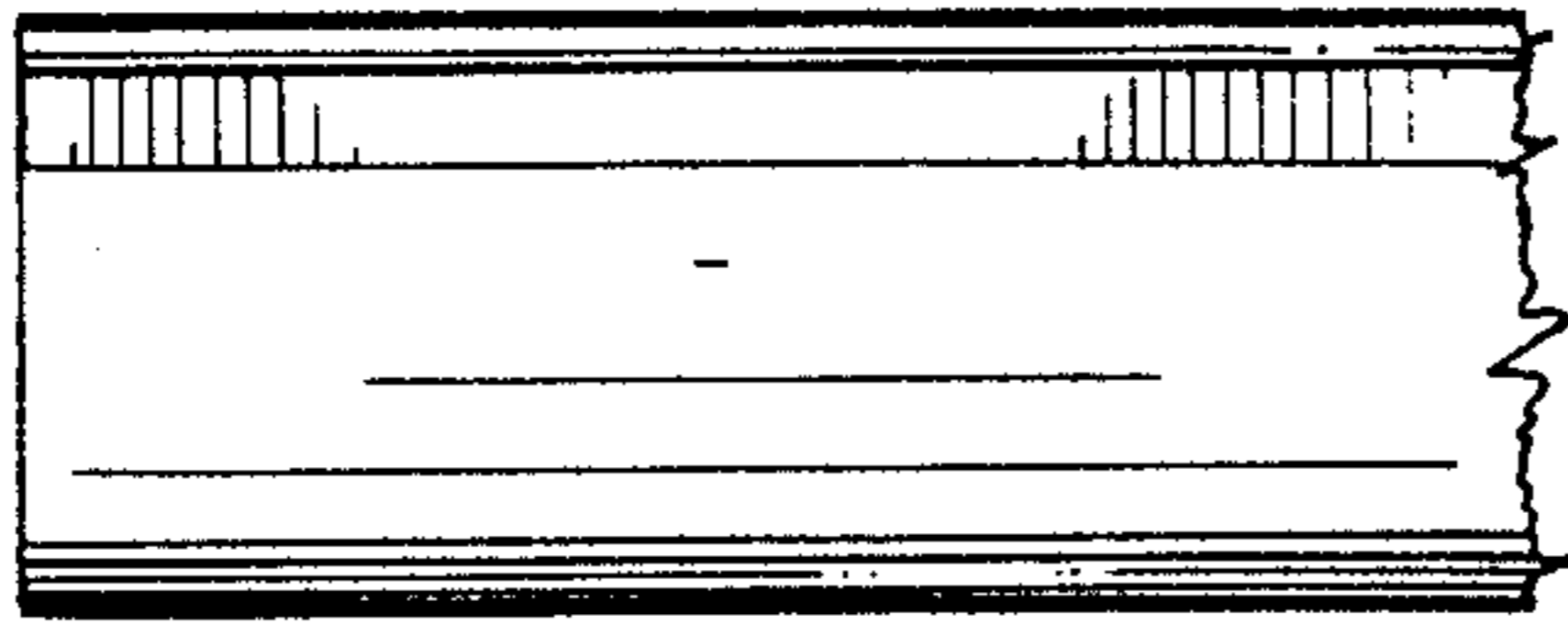


FIG. 3

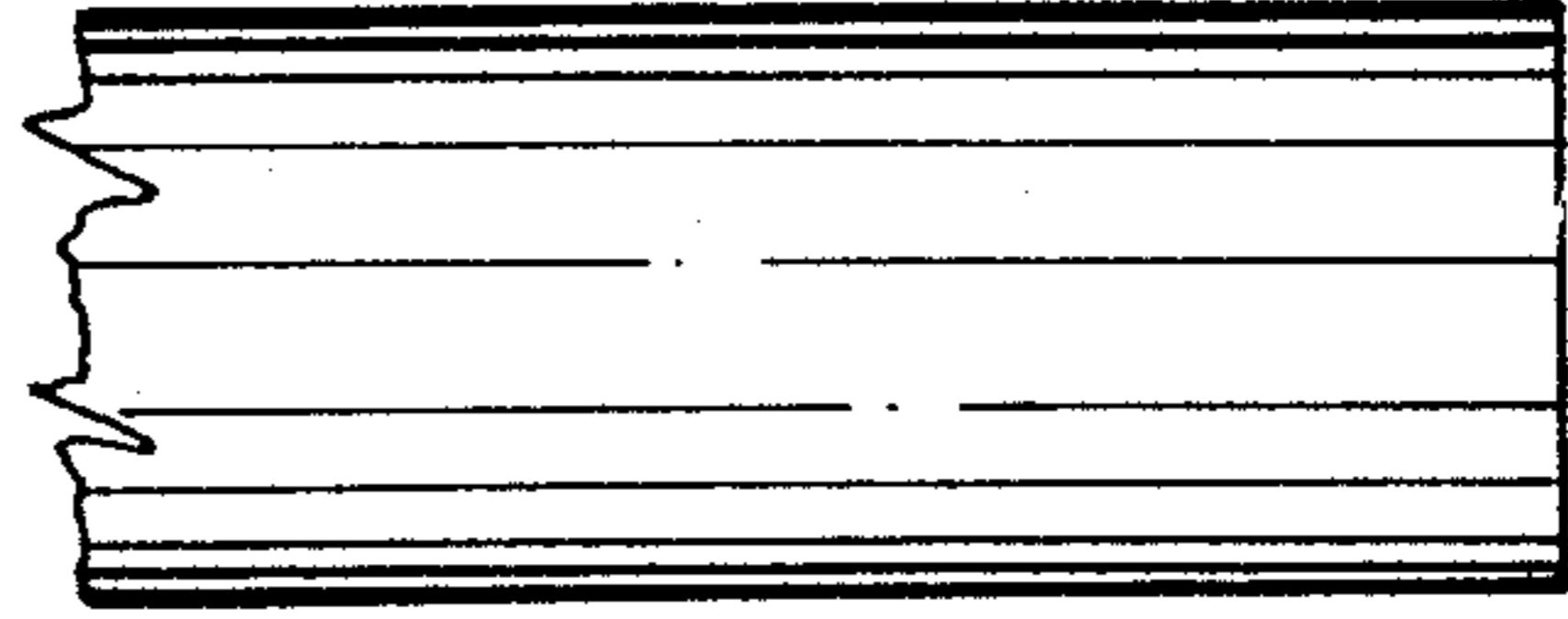


FIG. 4

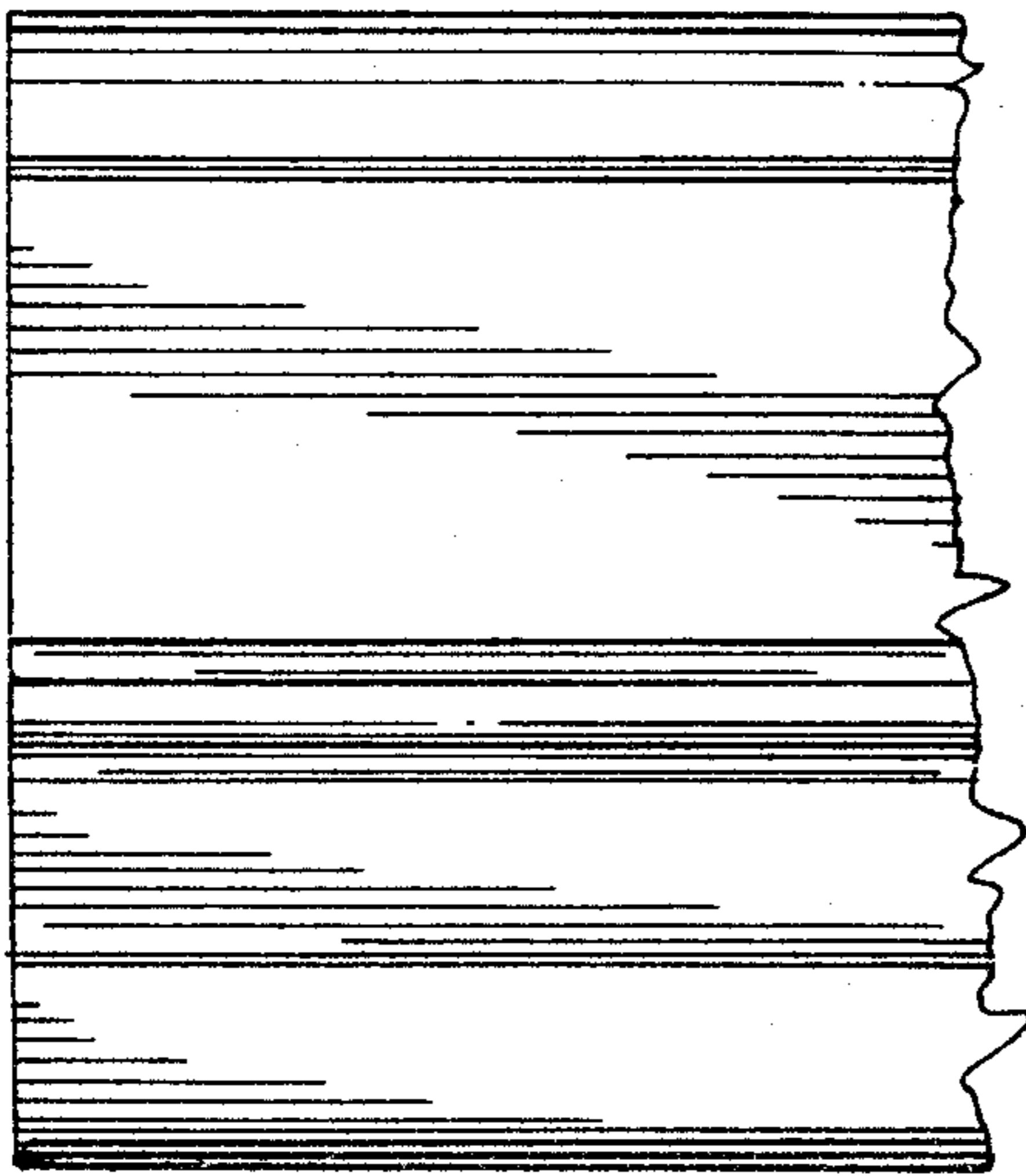


FIG. 5

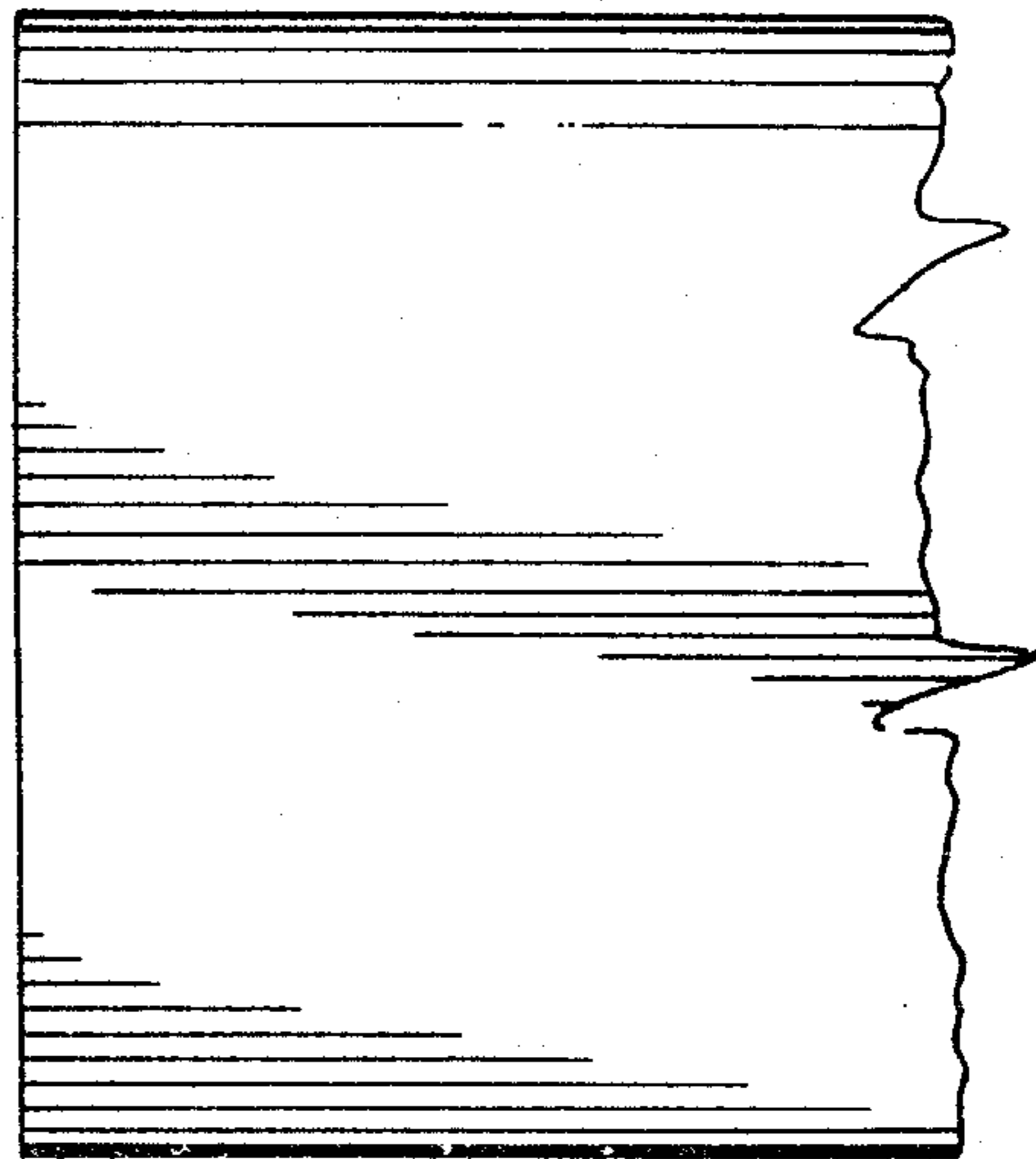


FIG. 6