

- [54] STEREOTAXIC GUIDE FOR BRAIN SURGERY AND RADIOTHERAPY
- [75] Inventors: John M. Van Buren, Coral Gables; Pavel Houdek; Murray Ginsberg, both of Miami, all of Fla.
- [73] Assignee: University of Miami, Coral Gables, Fla.
- [**] Term: 14 Years
- [21] Appl. No.: 420,371
- [22] Filed: Sep. 20, 1982
- [52] U.S. Cl. D24/1.1; D24/8; D24/99
- [58] Field of Search D24/1.1, 2, 3, 8, 7, D24/99; 128/303 B; 33/174 D; 269/328; 378/20

[56] **References Cited**
U.S. PATENT DOCUMENTS

1,398,842	11/1921	Cruse	128/303 B
3,508,552	4/1970	Hainault	128/303 B
4,228,799	10/1980	Anichkov et al.	128/303 B
4,256,112	3/1981	Kopf et al.	128/303 B
4,341,220	7/1982	Perry	128/303 B X

4,360,028 11/1982 Barbier et al. 128/303 B X

OTHER PUBLICATIONS

“Radionics” brochure, Type BRW CT Stereotaxic Guide.
 Leksell et al, “Deep Brain Surgery”; Jun. 1977, brochure.

Primary Examiner—Catherine E. Kemper
Attorney, Agent, or Firm—Hedman, Gibson, Costigan & Hoare

[57] **CLAIM**

The ornamental design for a stereotaxic guide for brain surgery and radiotherapy, substantially as shown and described.

DESCRIPTION

FIG. 1 is a top plan view of a stereotaxic guide for brain surgery and radiotherapy showing our new design; FIG. 2 is a bottom plan view; and FIG. 3 is a perspective view thereof. The broken line disclosure of a portion of a human head in FIG. 3 is for illustrative purposes only and forms no part of the claimed design; FIG. 4 is a top perspective view thereof; FIG. 5 is a bottom perspective view thereof.

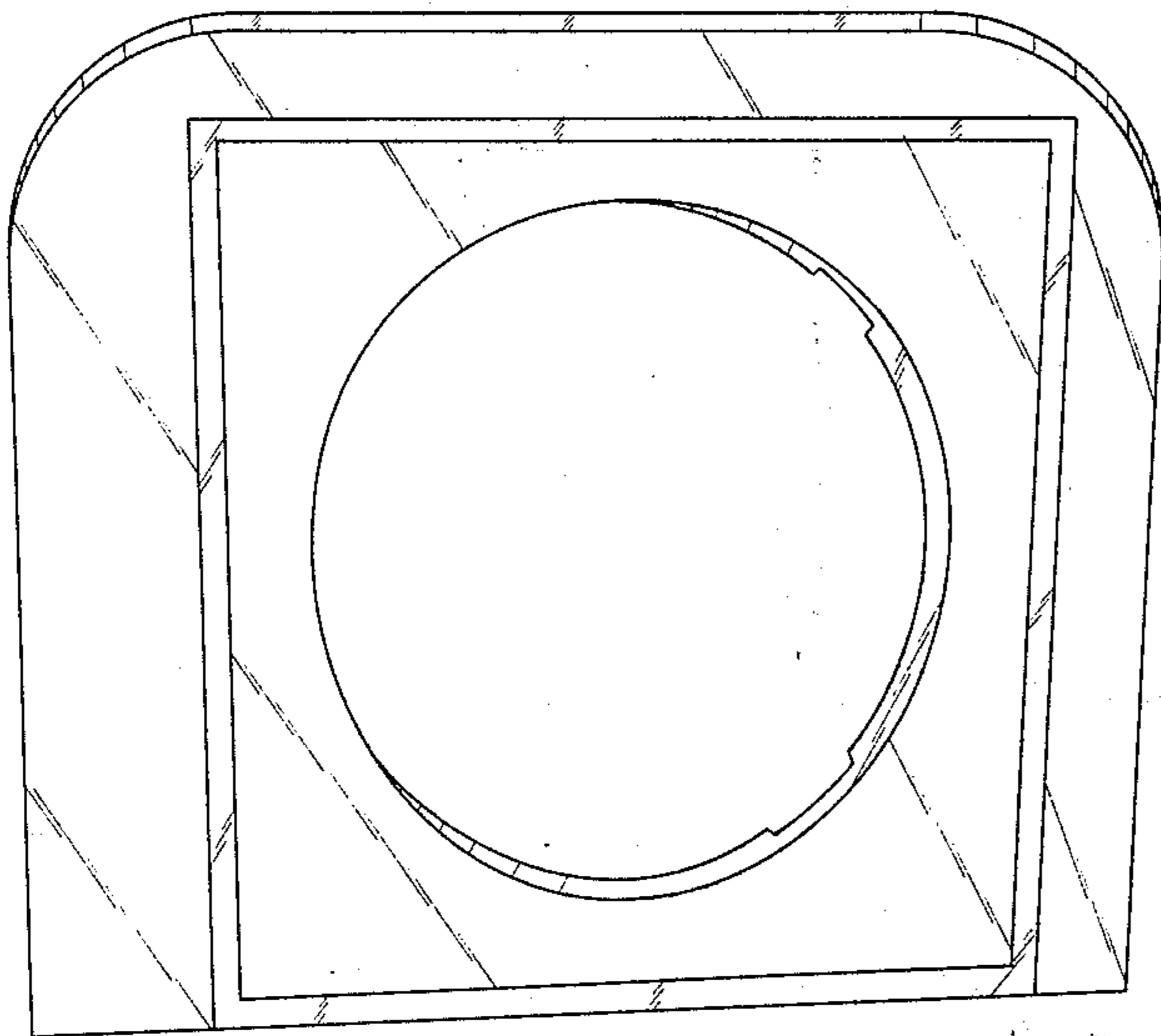
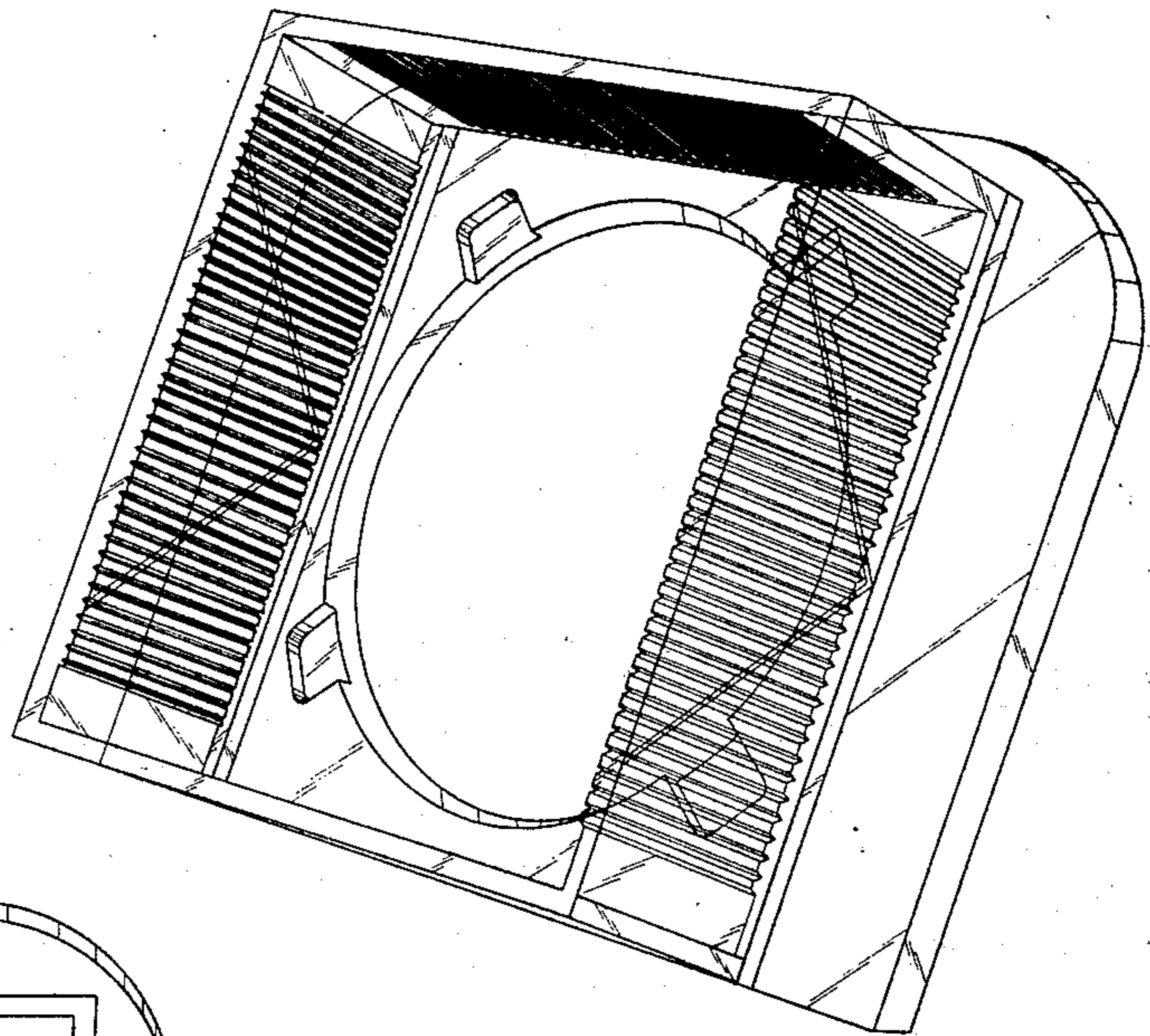


Fig. 1

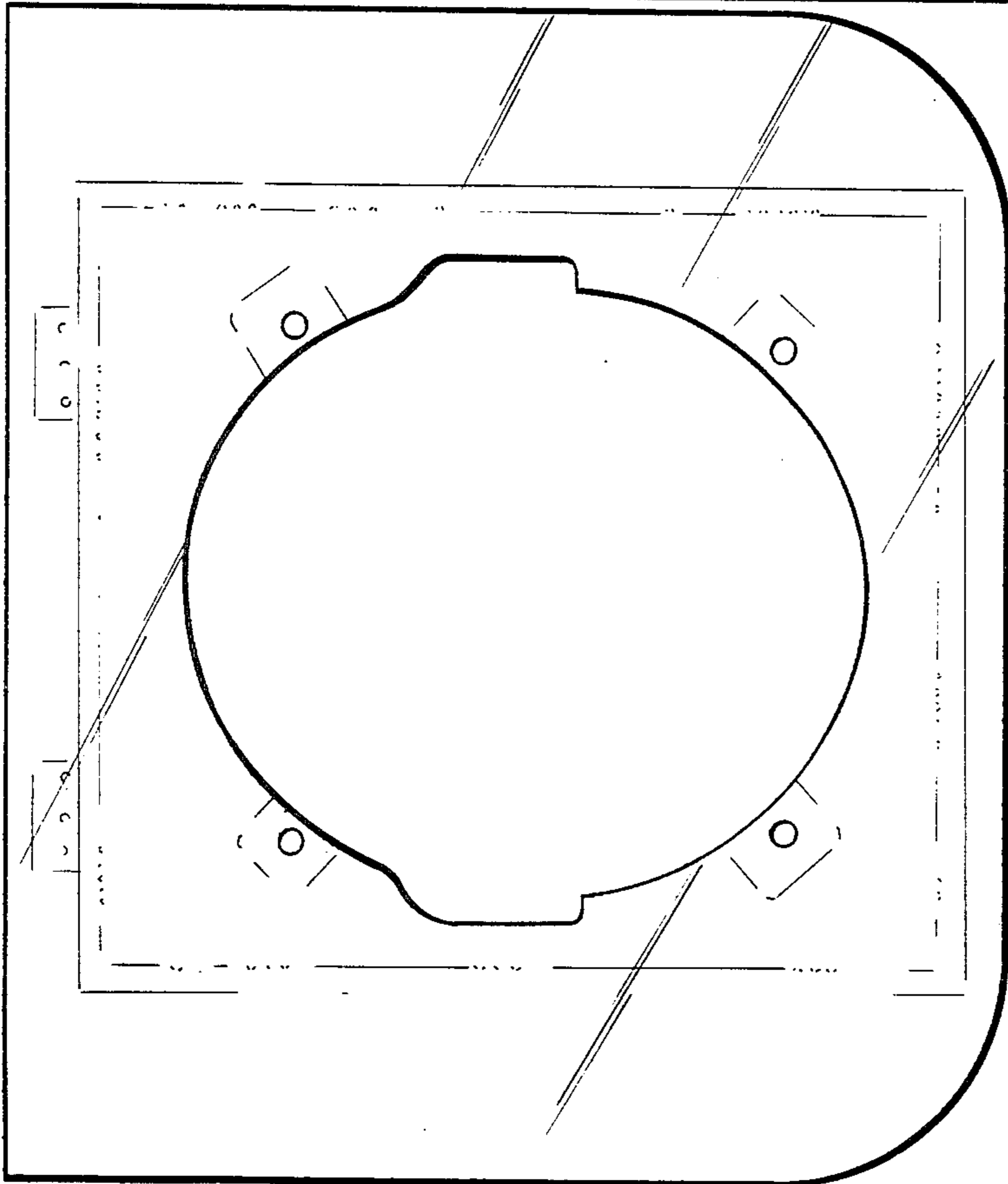
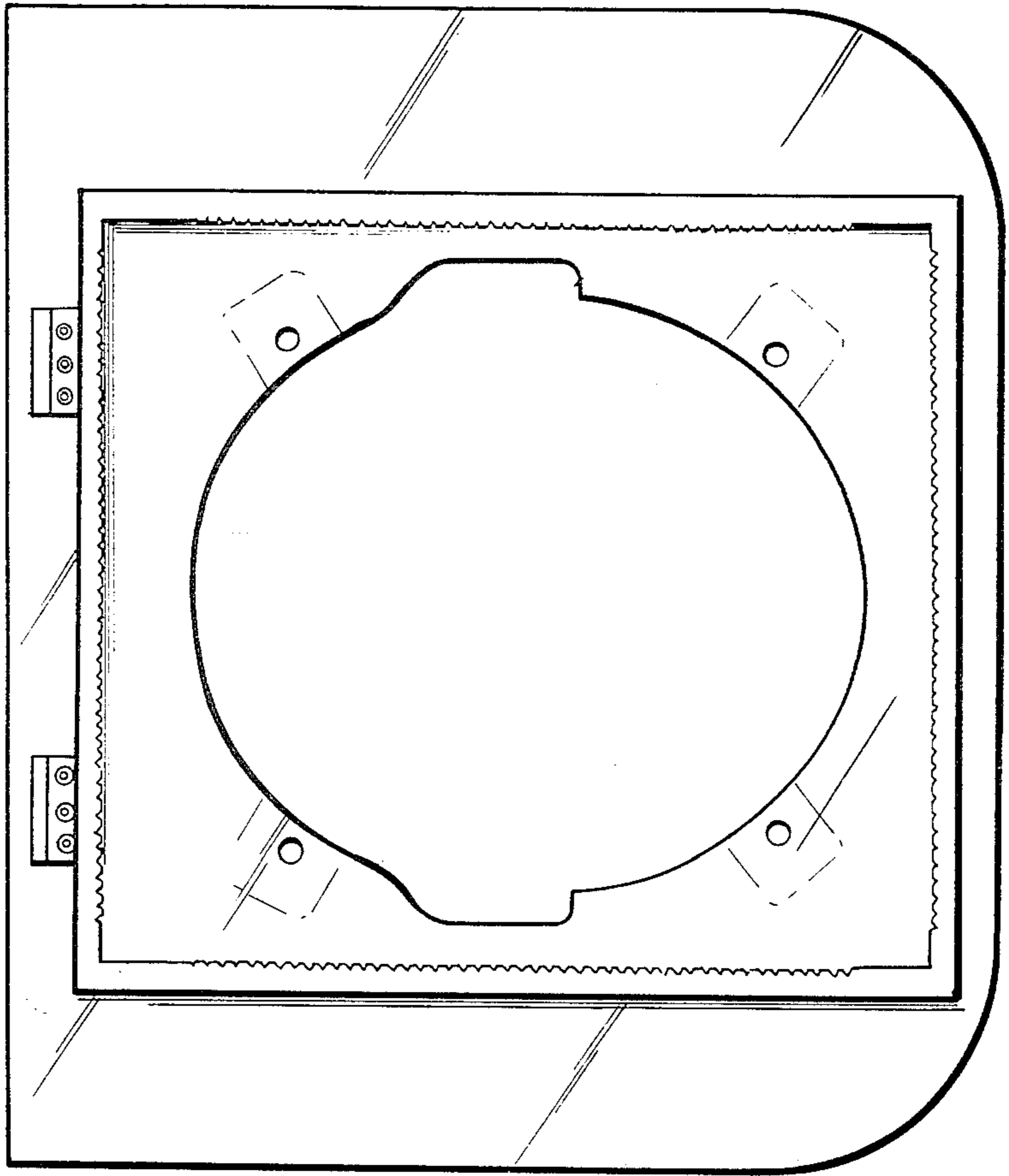
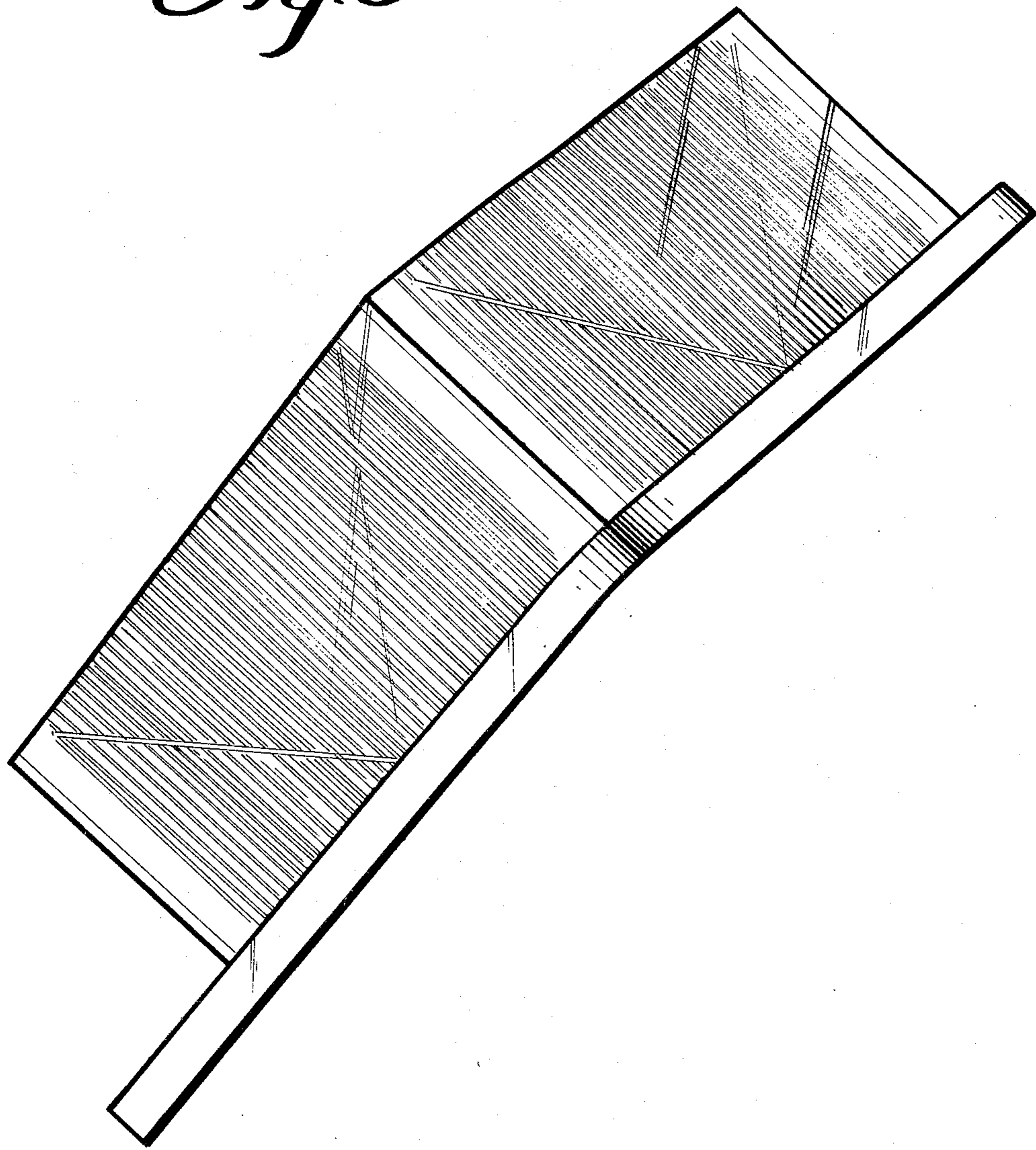


Fig. 2

Fig. 3



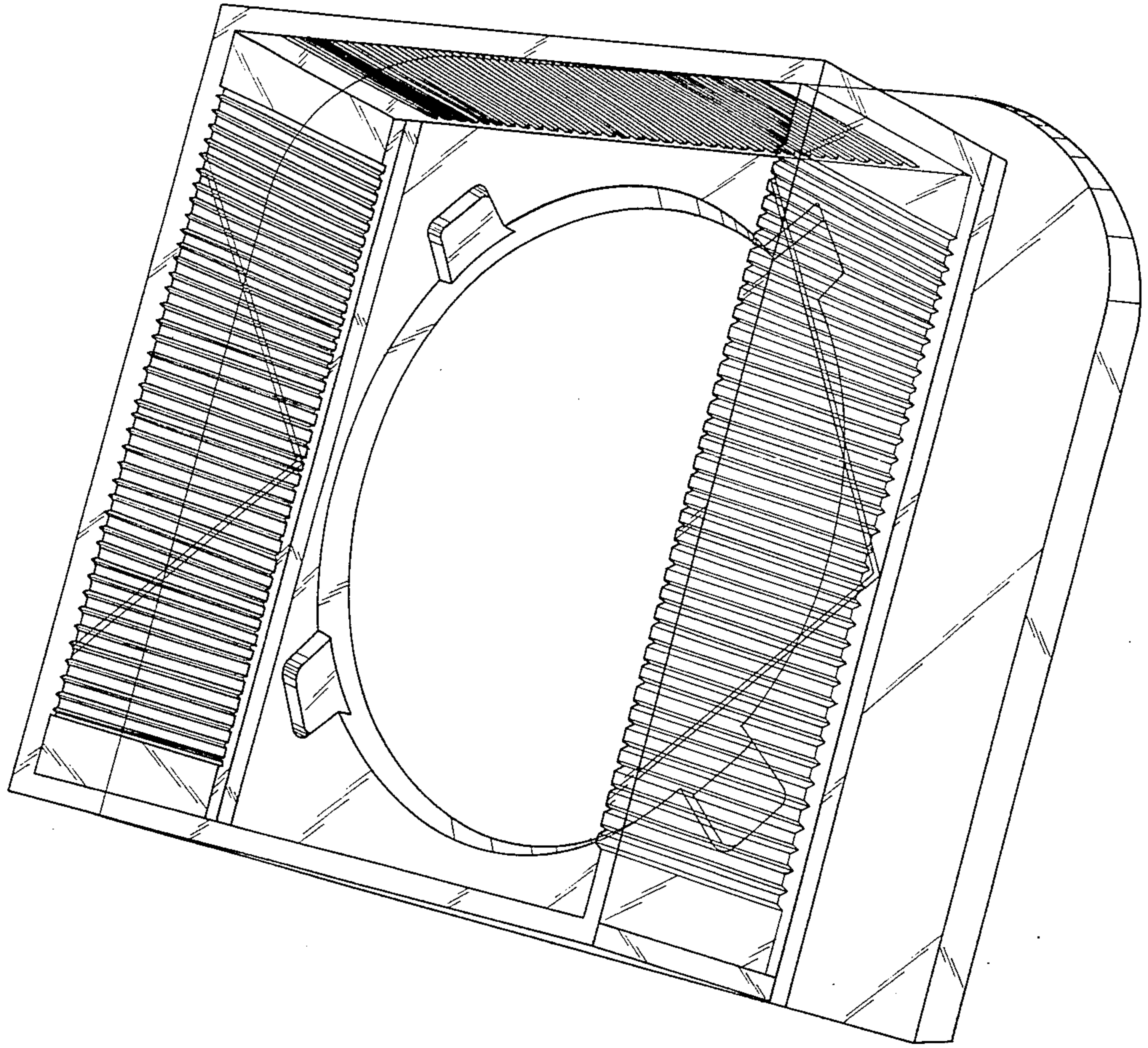


Fig. 1

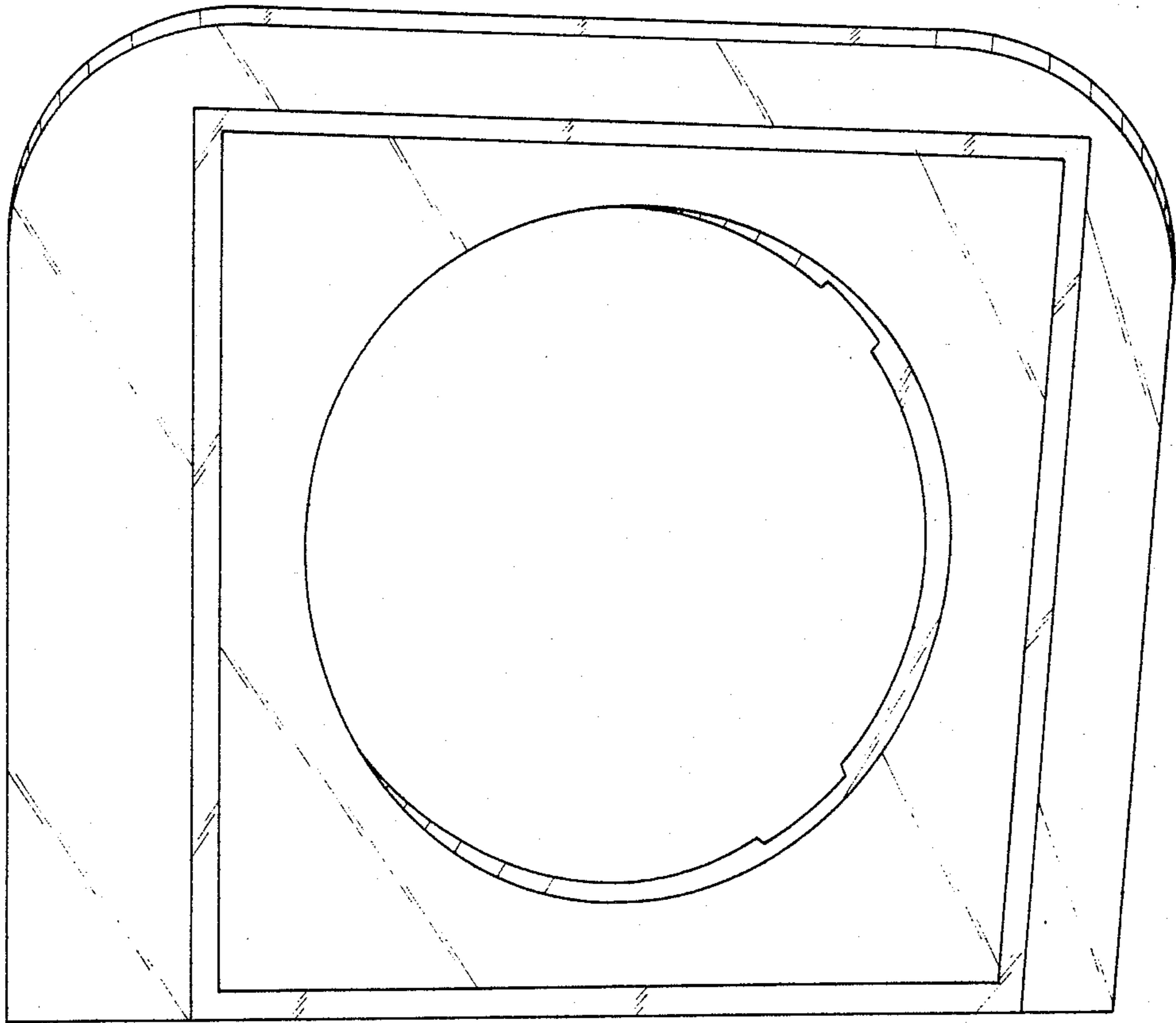


Fig. 5