

[54] **AIRTIGHT CONVECTION HEATER**

[76] **Inventor:** Jenny T. McKinney, 5th Fl., No. 109,
Kuang Fu North Road, Taipei City
106, Taiwan

[**] **Term:** 14 Years

[21] **Appl. No.:** 605,254

[22] **Filed:** Apr. 30, 1984

[52] **U.S. Cl. D23/97**

[58] **Field of Search D23/72, 77, 92-97;**
126/4, 6, 58, 60-66, 120, 121, 123, 126, 128

[56] **References Cited**

U.S. PATENT DOCUMENTS

D. 250,203	11/1978	Syme	D23/97
D. 260,032	7/1981	Syme	D23/97
D. 266,867	11/1982	Brice	D23/97
D. 275,878	10/1984	Syme et al.	D23/97
D. 276,457	11/1984	Heger	D23/97

OTHER PUBLICATIONS

Franklin Cast Products, Inc. Brochure FCP12381, pp.
4&5-Scandia Stoves.

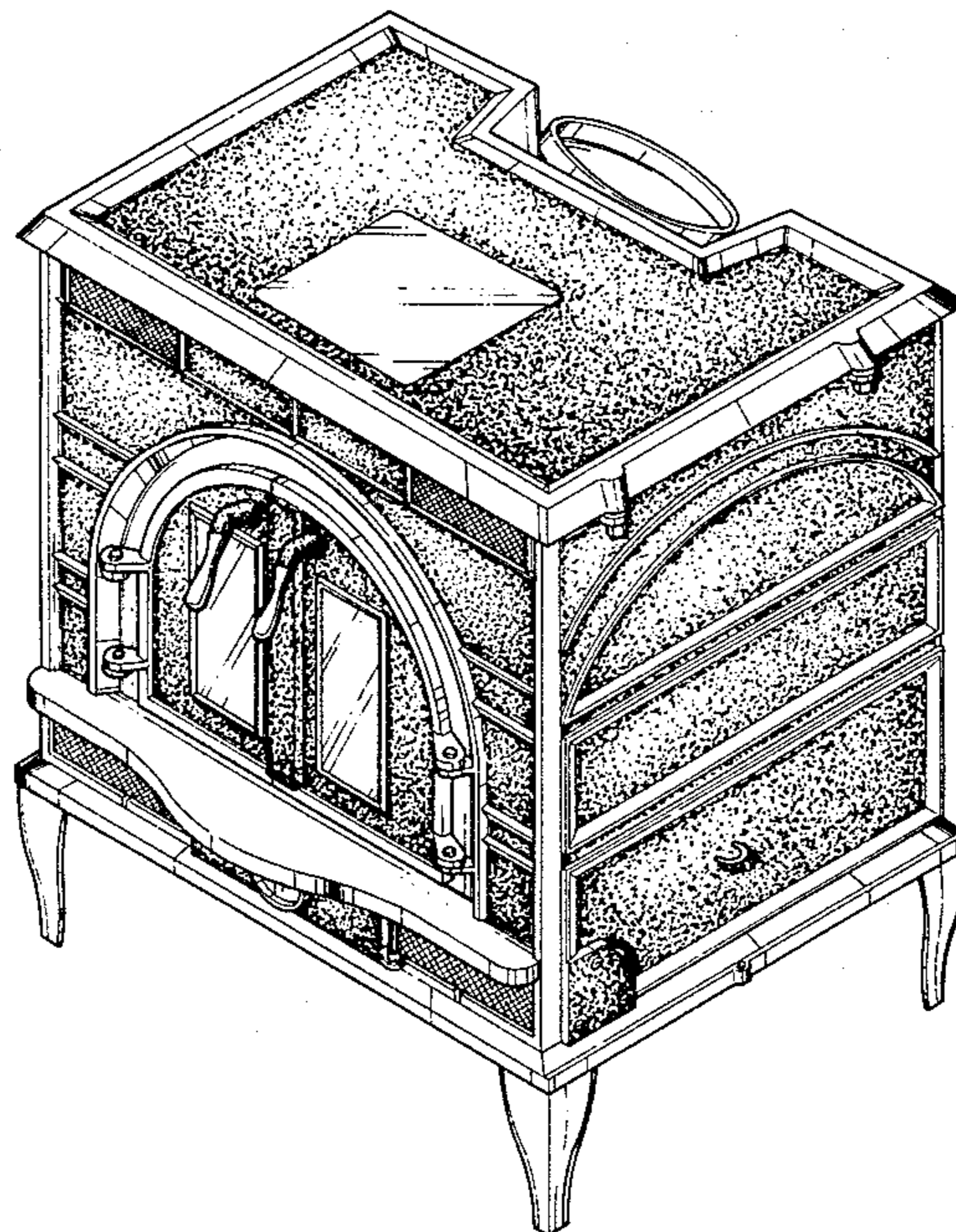
Primary Examiner—Catherine E. Kemper
Attorney, Agent, or Firm—Cushman, Darby & Cushman

[57] **CLAIM**

The ornamental design for an airtight convection
heater, as shown.

DESCRIPTION

FIG. 1 is a perspective view of an airtight convection
heater showing my new design;
FIG. 2 is a front elevational view thereof;
FIG. 3 is a rear elevational view thereof;
FIG. 4 is a right side elevational view thereof;
FIG. 5 is a left side elevational view thereof;
FIG. 6 is a top plan view thereof; and
FIG. 7 is a bottom plan view thereof.



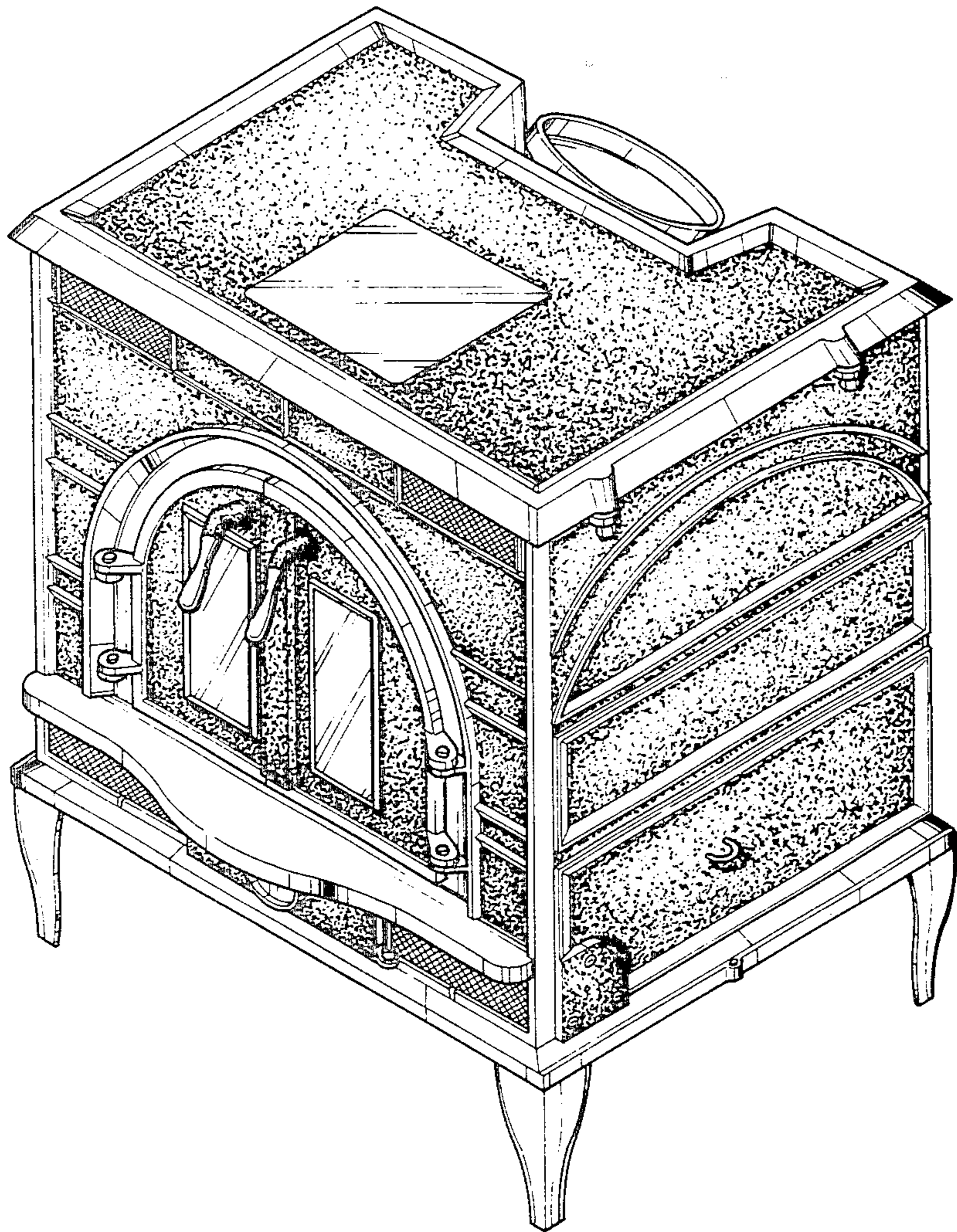


FIG.-1

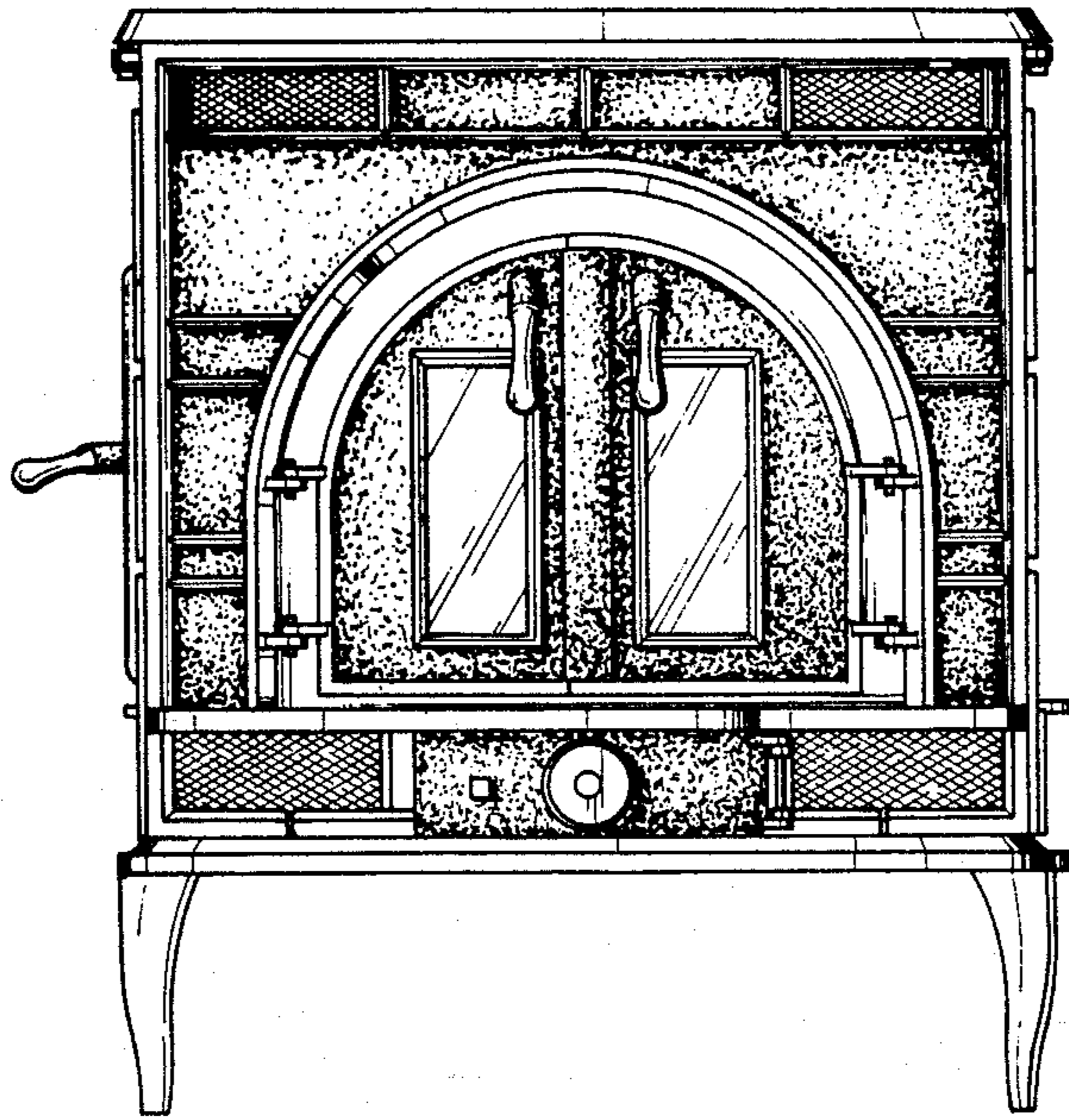


FIG. - 2

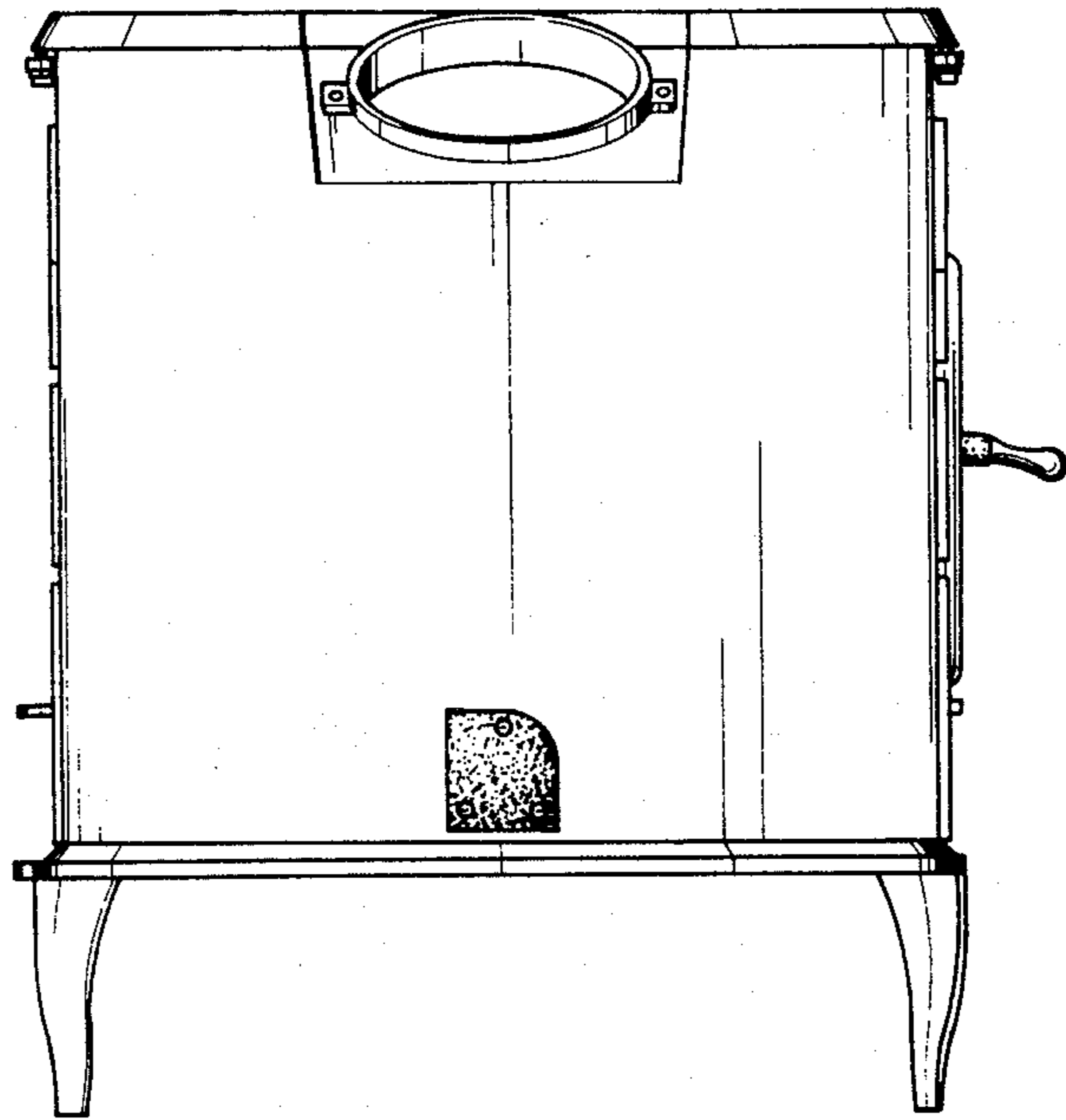


FIG. - 3

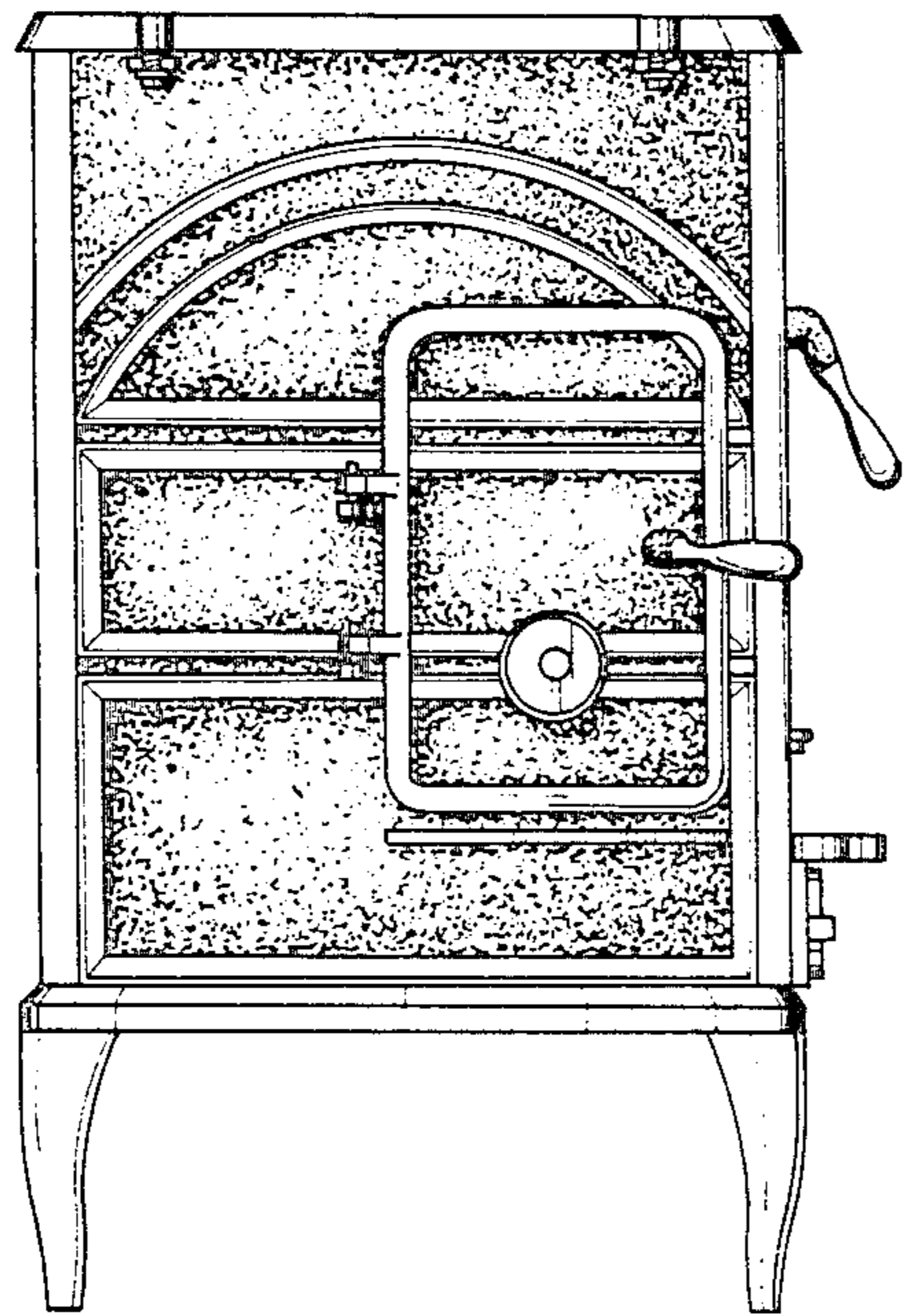


FIG. - 5

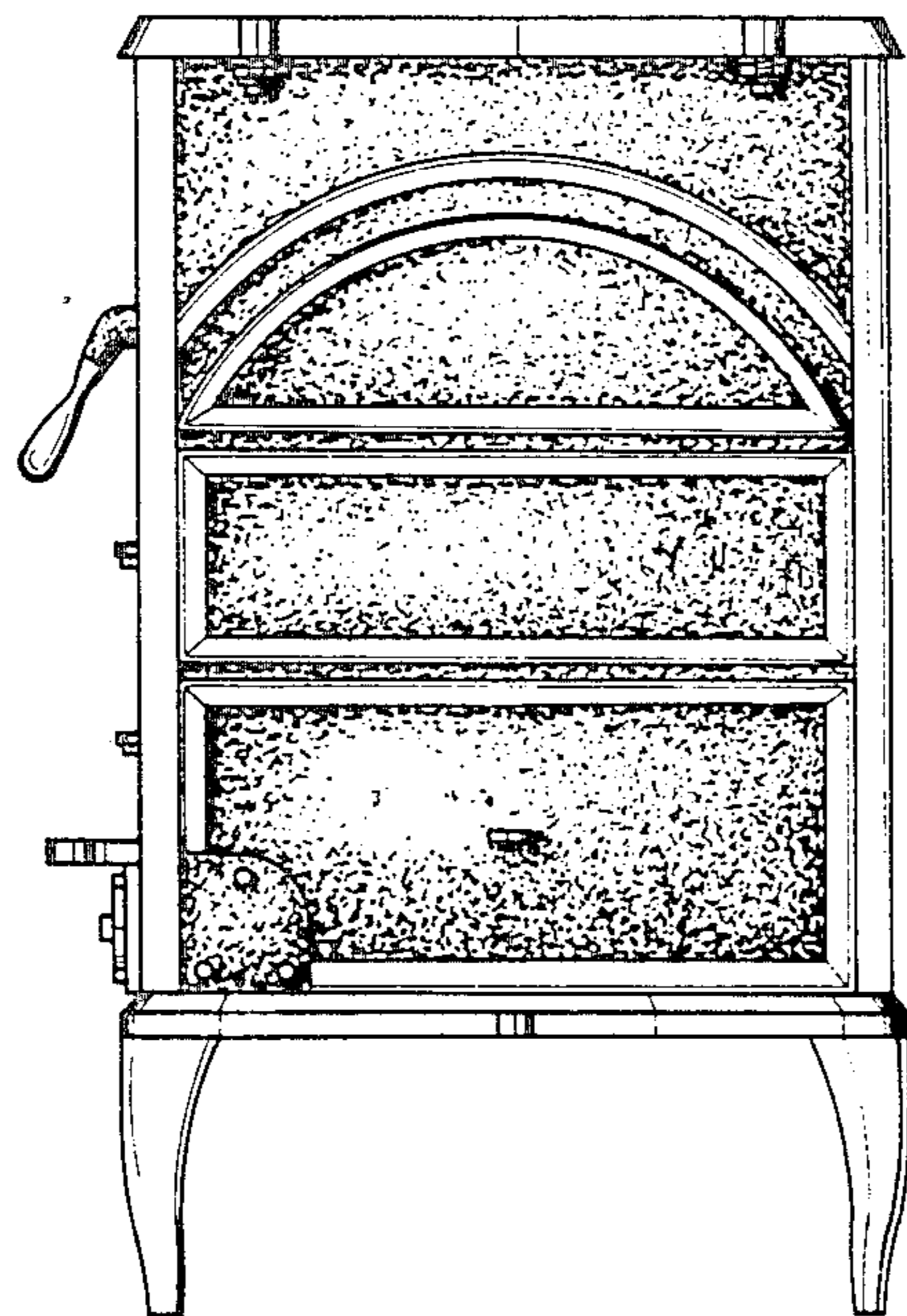


FIG. - 4

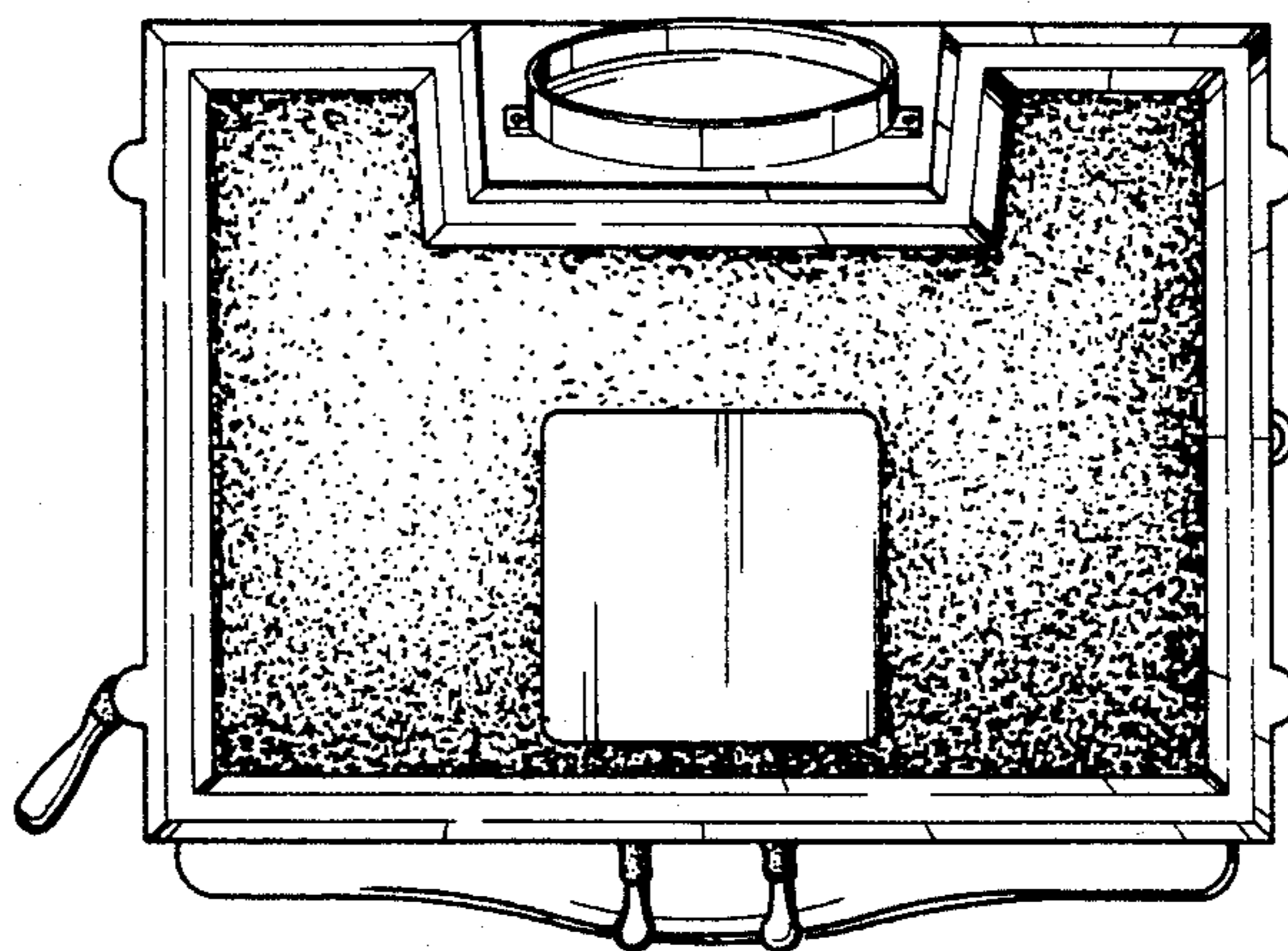


FIG. -6

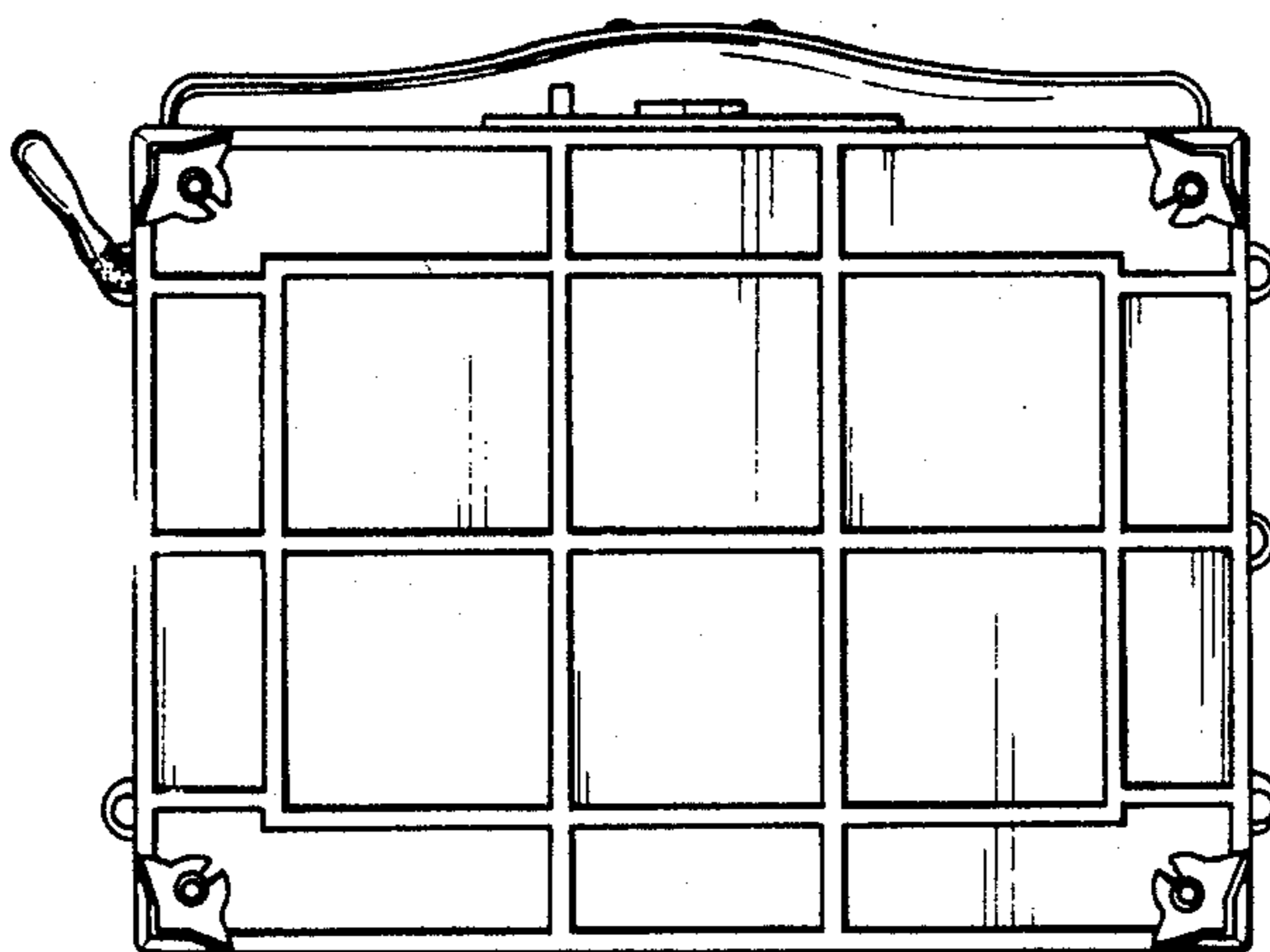


FIG. -7