

[54] LAVATORY

[75] Inventor: Vance Smith, Brookfield, Vt.

[73] Assignee: Crane Co., New York, N.Y.

[**] Term: 14 Years

[21] Appl. No.: 625,210

[22] Filed: Jun. 27, 1984

[52] U.S. Cl. D23/58

[58] Field of Search D23/58-64;
4/619, 631, 643

- D. 241,846 10/1976 Ribits et al. D23/58
- D. 242,859 12/1976 Gruber D23/58
- D. 243,325 2/1977 Krause D23/58
- D. 261,798 11/1981 Stairs, Jr. D23/58

Primary Examiner—James R. Largen
Attorney, Agent, or Firm—Fitzpatrick, Cella, Harper & Scinto

[57] CLAIM

The ornamental design for a lavatory, as shown and described.

DESCRIPTION

FIG. 1 is a perspective view taken from the top, front and right side of a lavatory showing my new design; FIG. 2 is a top plan view thereof; FIG. 3 is a front perspective view thereof; FIG. 4 is a left side view thereof, the right side being a mirror image of the left side shown; and FIG. 5 is a rear view thereof.

[56] References Cited

U.S. PATENT DOCUMENTS

- D. 76,700 10/1928 Nash D23/58
- D. 78,257 4/1929 Bonner, Jr. D23/61
- D. 208,762 10/1967 Campi D23/58
- D. 213,558 3/1969 Colborn D23/58
- D. 216,310 12/1969 Fortuno D23/58

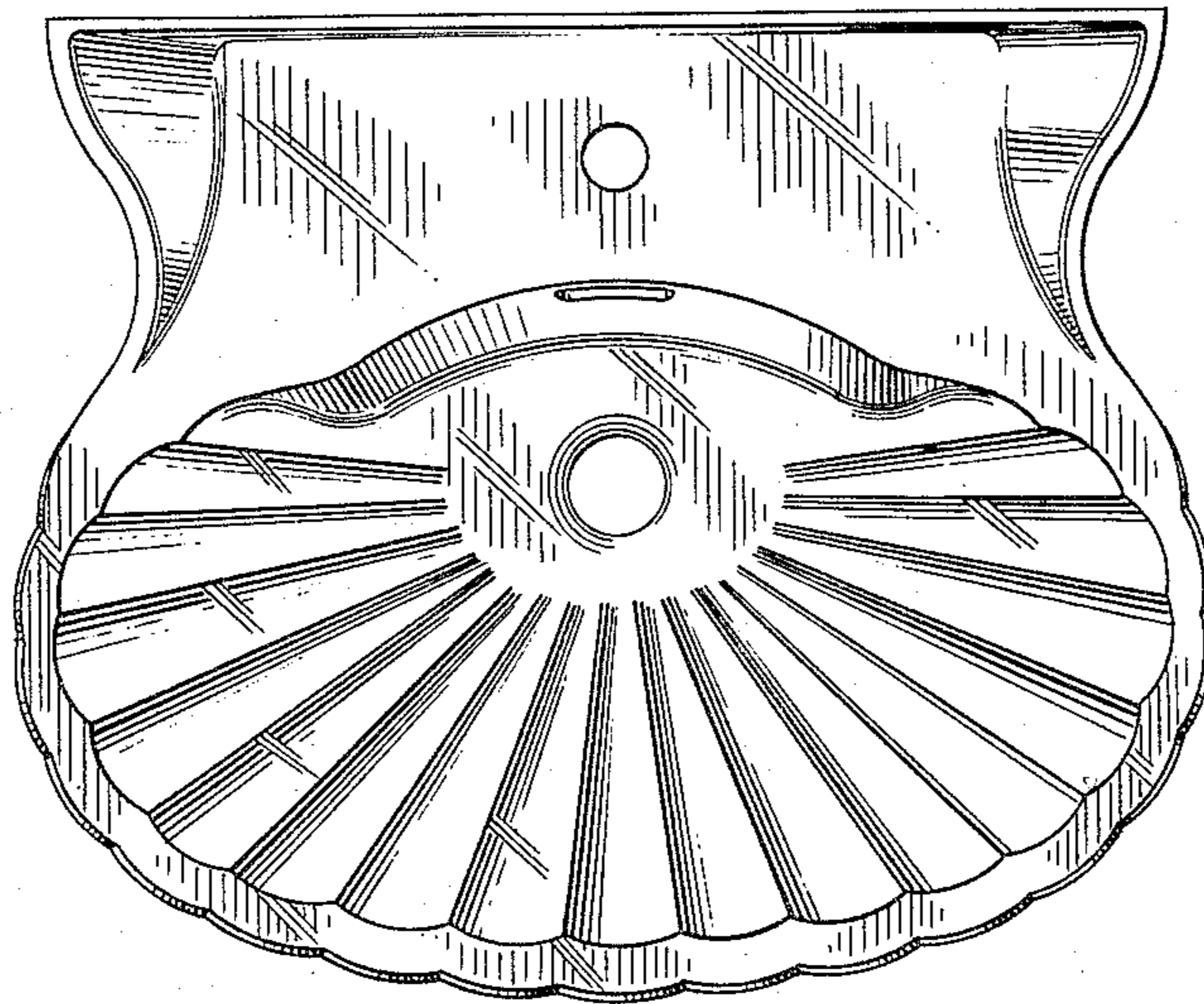
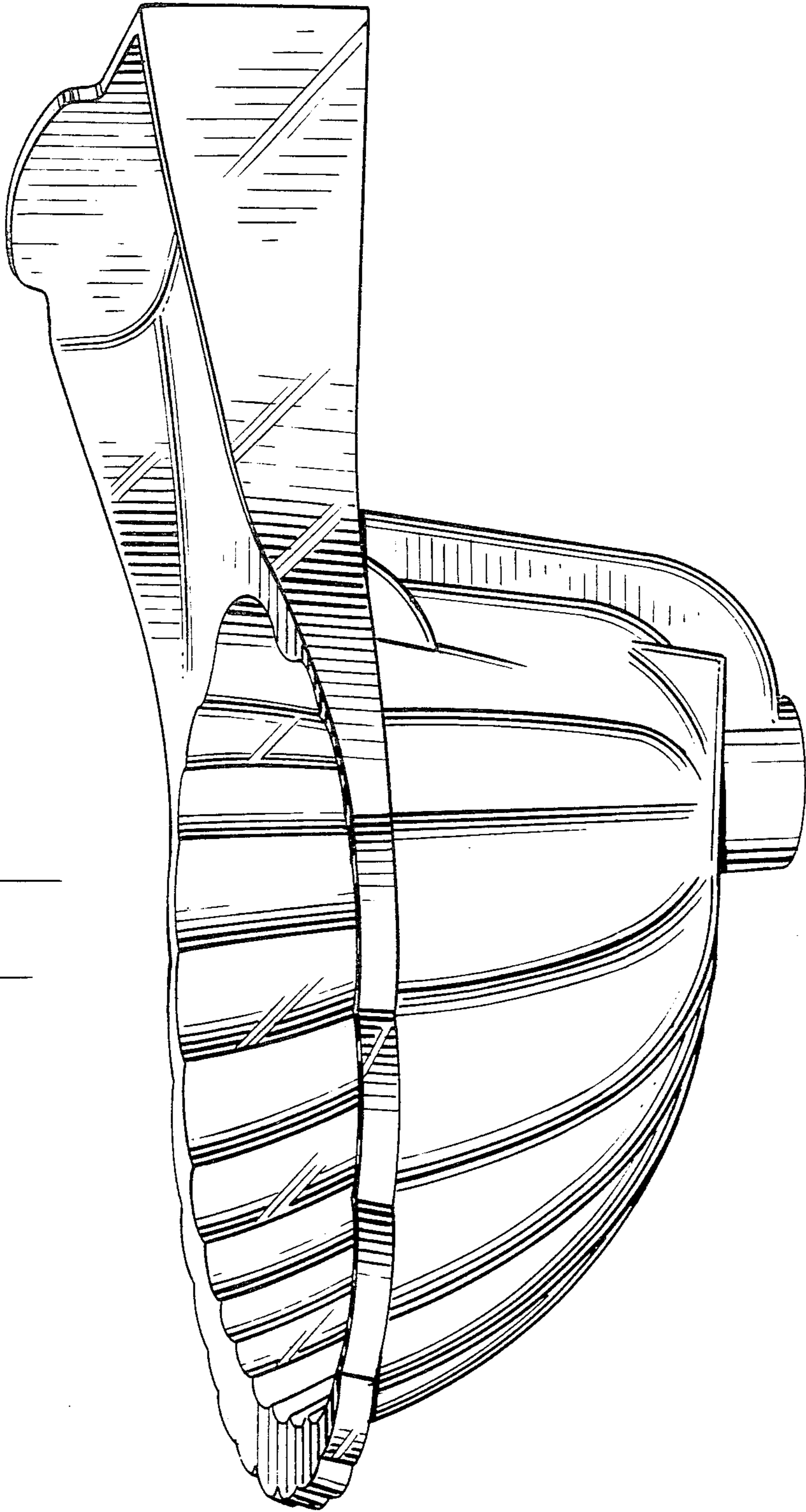


Fig. 1.



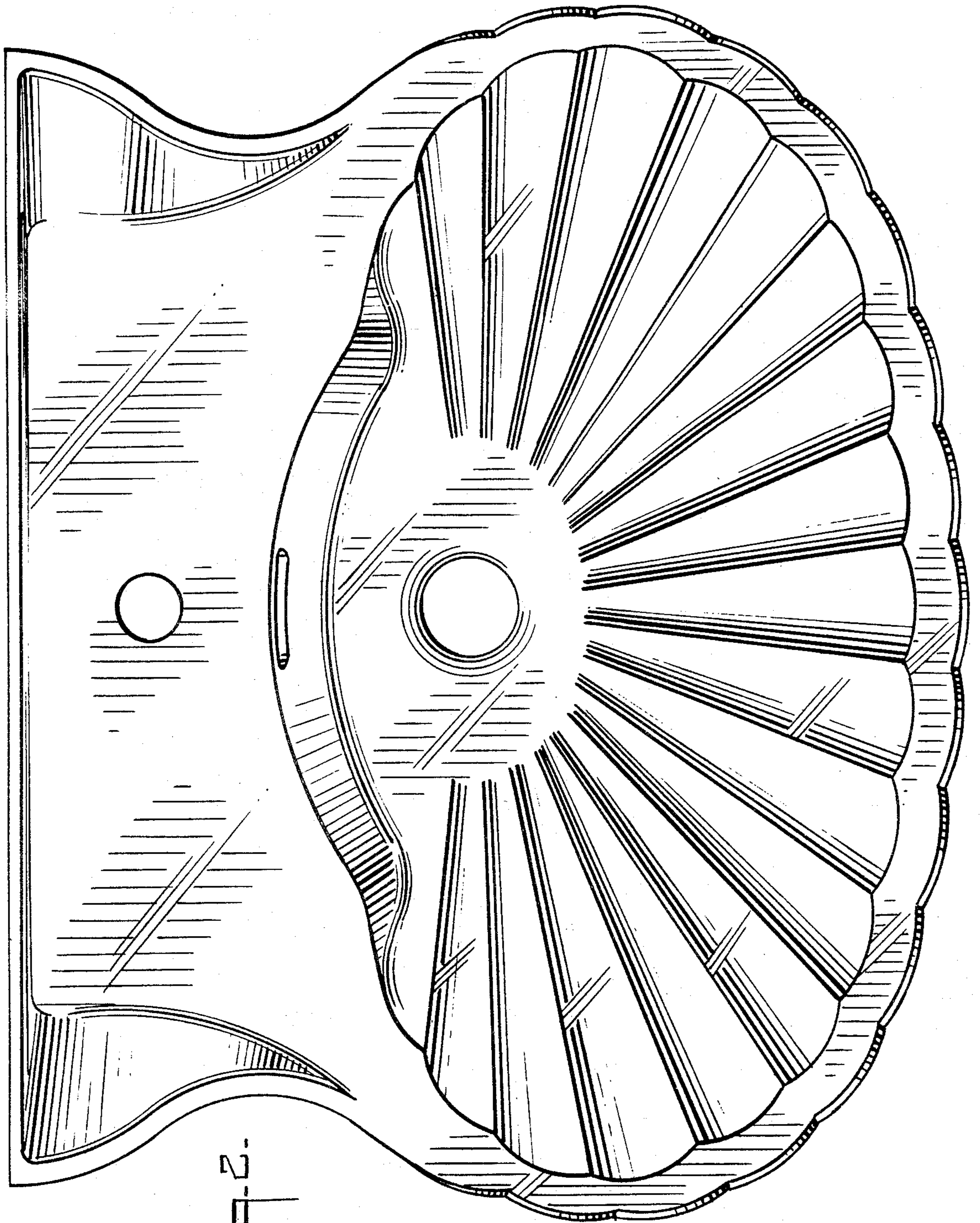
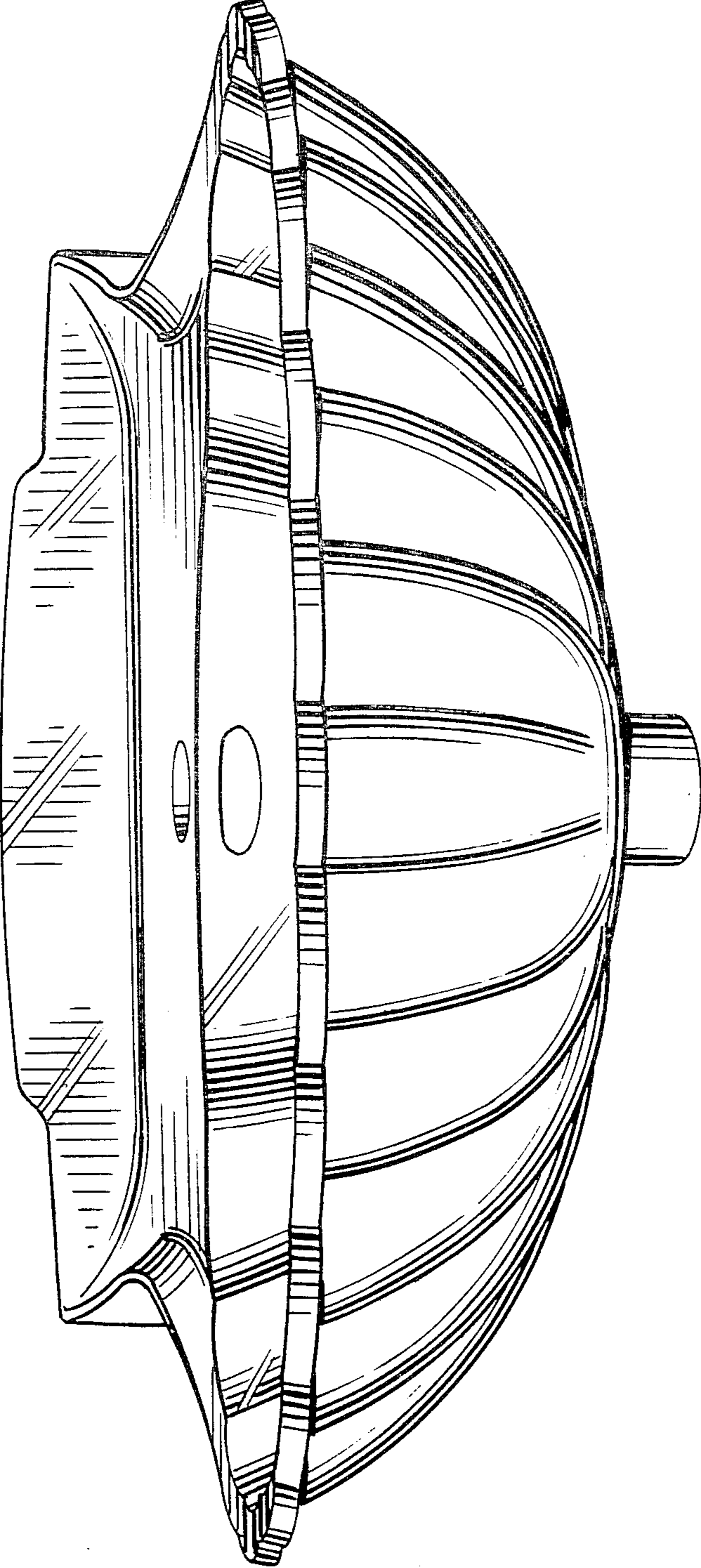


Fig. 2

Fig. 3.



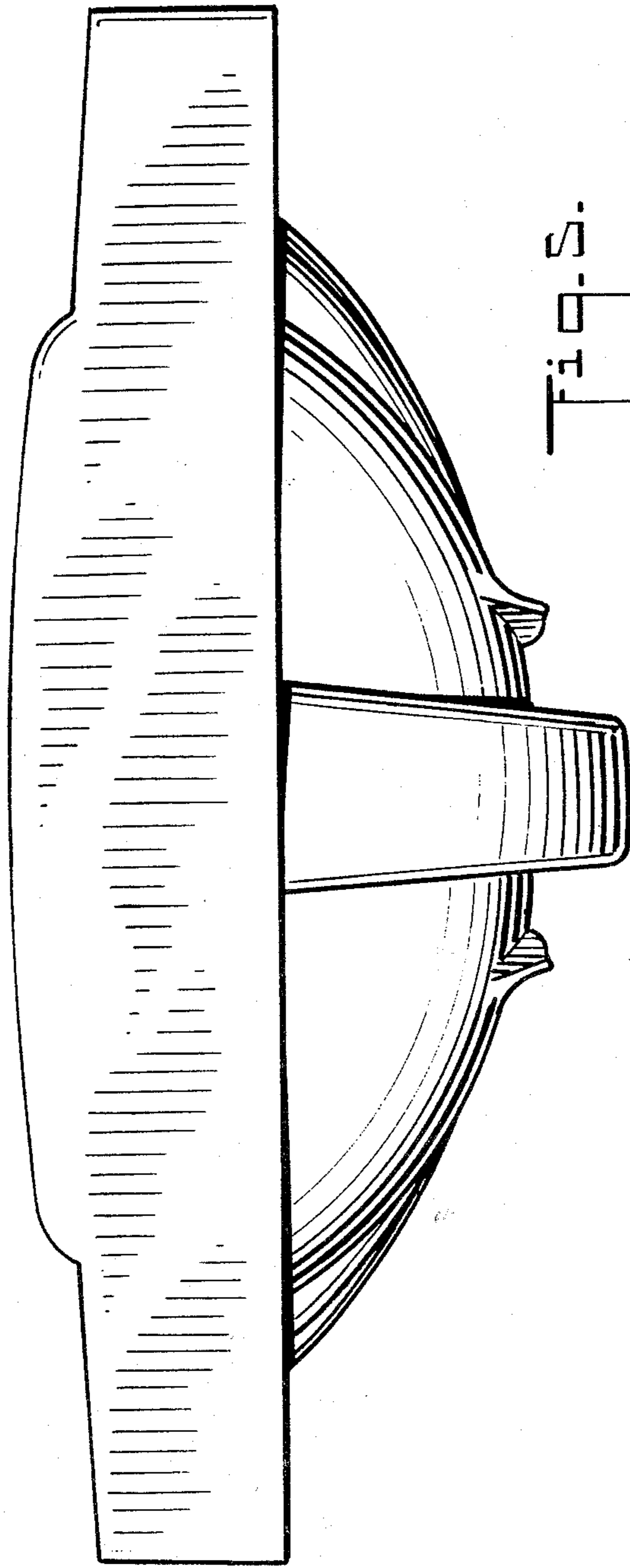


Fig. 3.

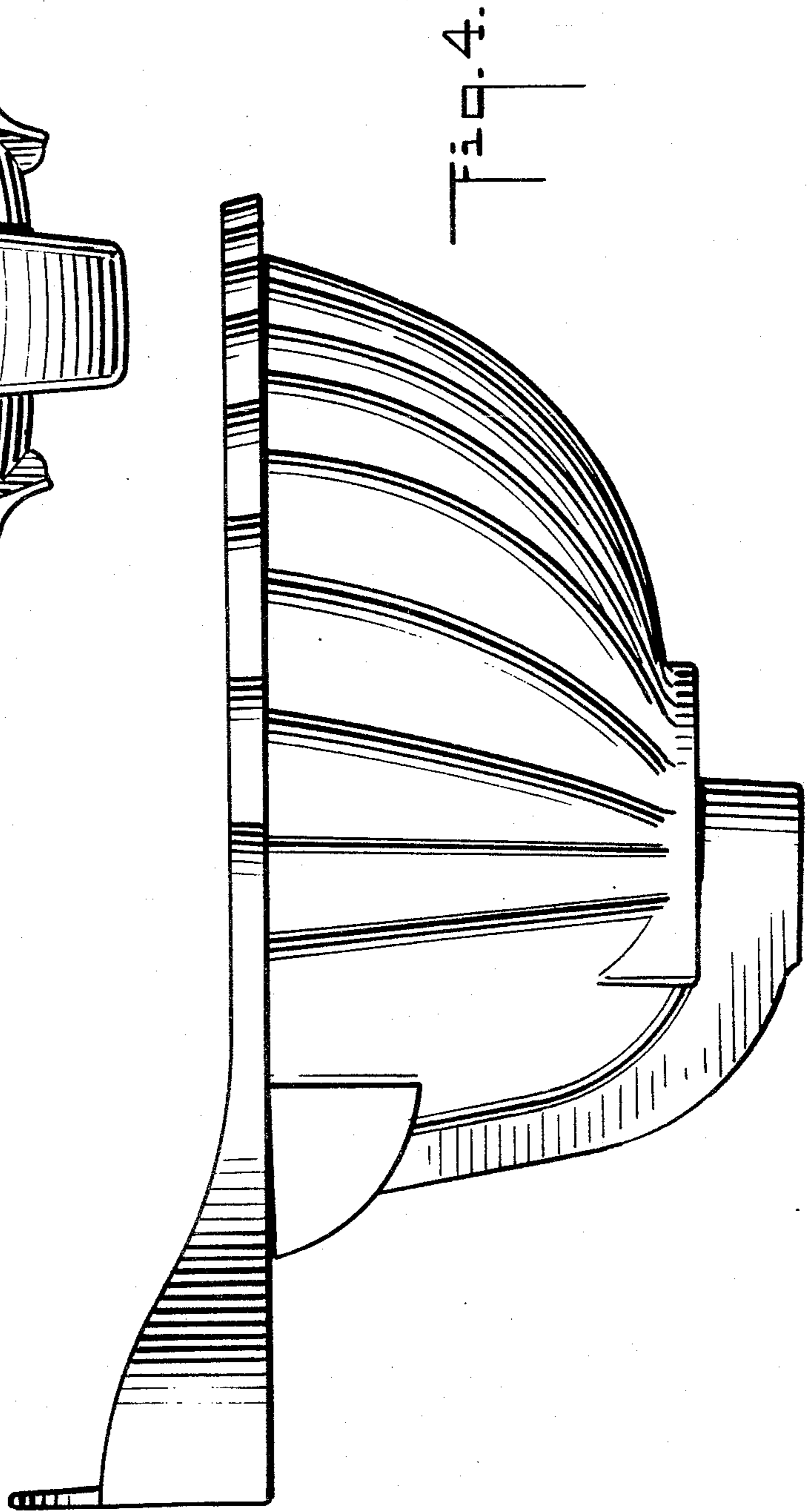


Fig. 4.