

[54] LAVATORY  
 [75] Inventor: Vance Smith, Brookfield, Vt.  
 [73] Assignee: Crane Co., New York, N.Y.  
 [\*\*] Term: 14 Years  
 [21] Appl. No.: 625,211  
 [22] Filed: Jun. 27, 1984  
 [52] U.S. Cl. .... D23/58  
 [58] Field of Search ..... D23/58-64;  
 4/619, 631, 643

3,577,572 5/1971 Ruggles et al. .... 4/631  
 3,673,617 7/1972 Schulz, Jr. .... 4/631

Primary Examiner—James R. Largen  
 Attorney, Agent, or Firm—Fitzpatrick, Cella, Harper & Scinto

[57] CLAIM

The ornamental design for a lavatory, as shown and described.

DESCRIPTION

FIG. 1 is a perspective view taken from the top and side of a lavatory showing my new design;  
 FIG. 2 is a top plan view thereof;  
 FIG. 3 is a rear view thereof;  
 FIG. 4 is a left side view thereof, the right side being a mirror image of the left side shown;  
 FIG. 5 is a front view thereof; and  
 FIG. 6 is an enlarged cross sectional view taken on line 6—6 of FIG. 1.

[56] References Cited  
 U.S. PATENT DOCUMENTS  
 D. 186,301 10/1959 Hurwitz ..... D23/58  
 D. 202,411 9/1965 Niemann ..... D23/58  
 D. 232,638 9/1974 Mather ..... D23/58  
 D. 238,073 12/1975 Ganger ..... D23/58  
 3,548,422 12/1970 Byers et al. .... 4/619

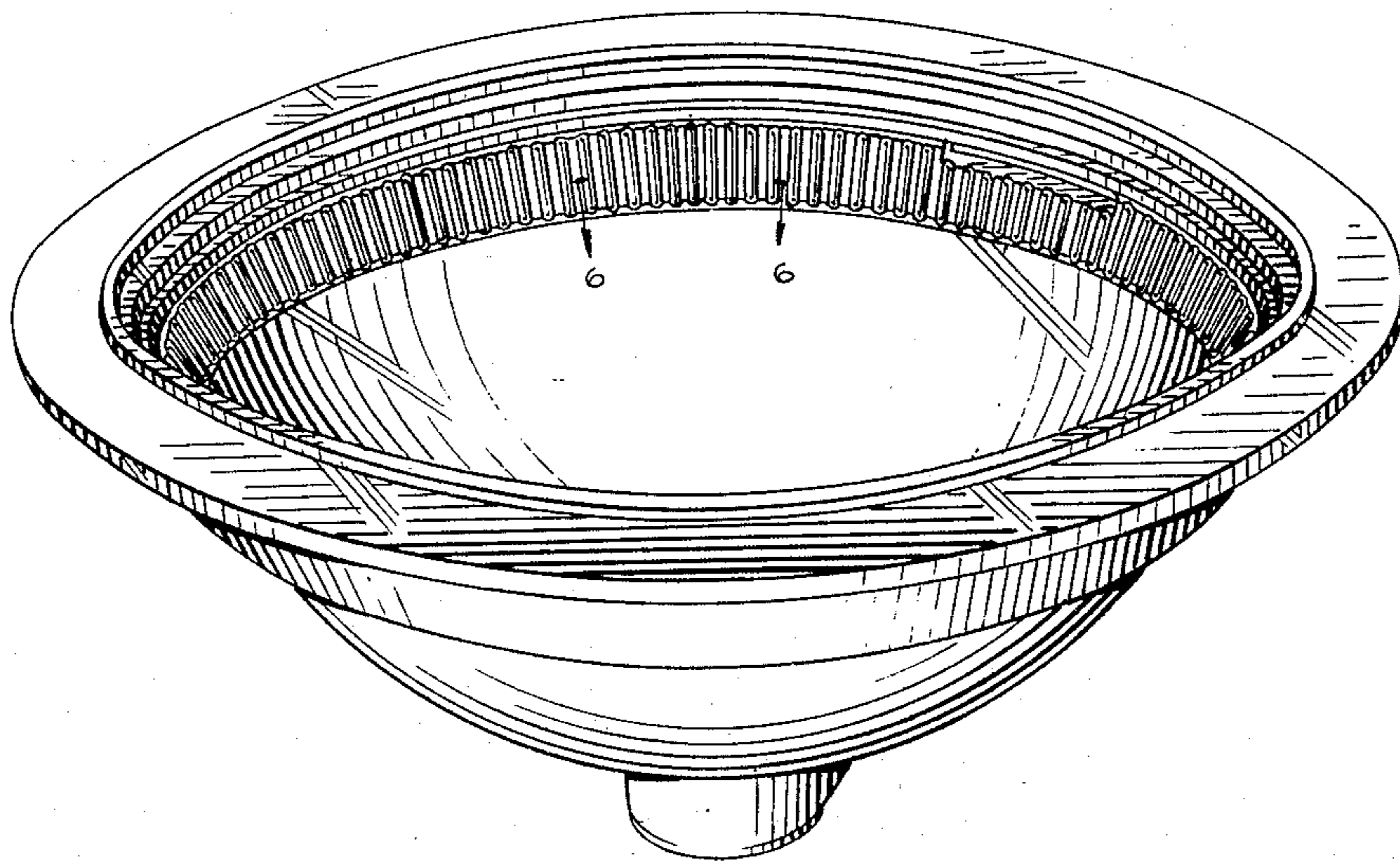


Fig. 1.

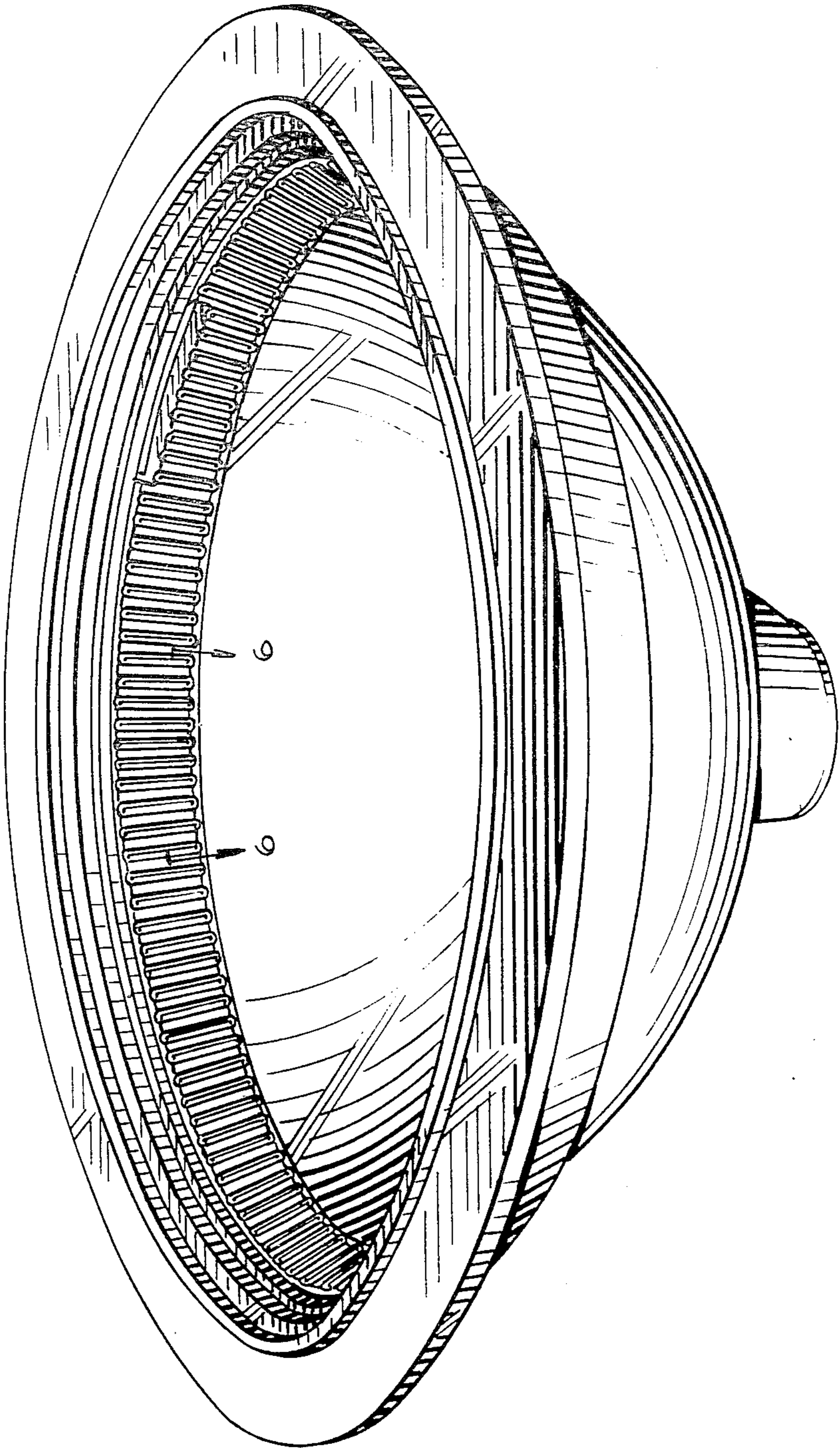


Fig. 2.

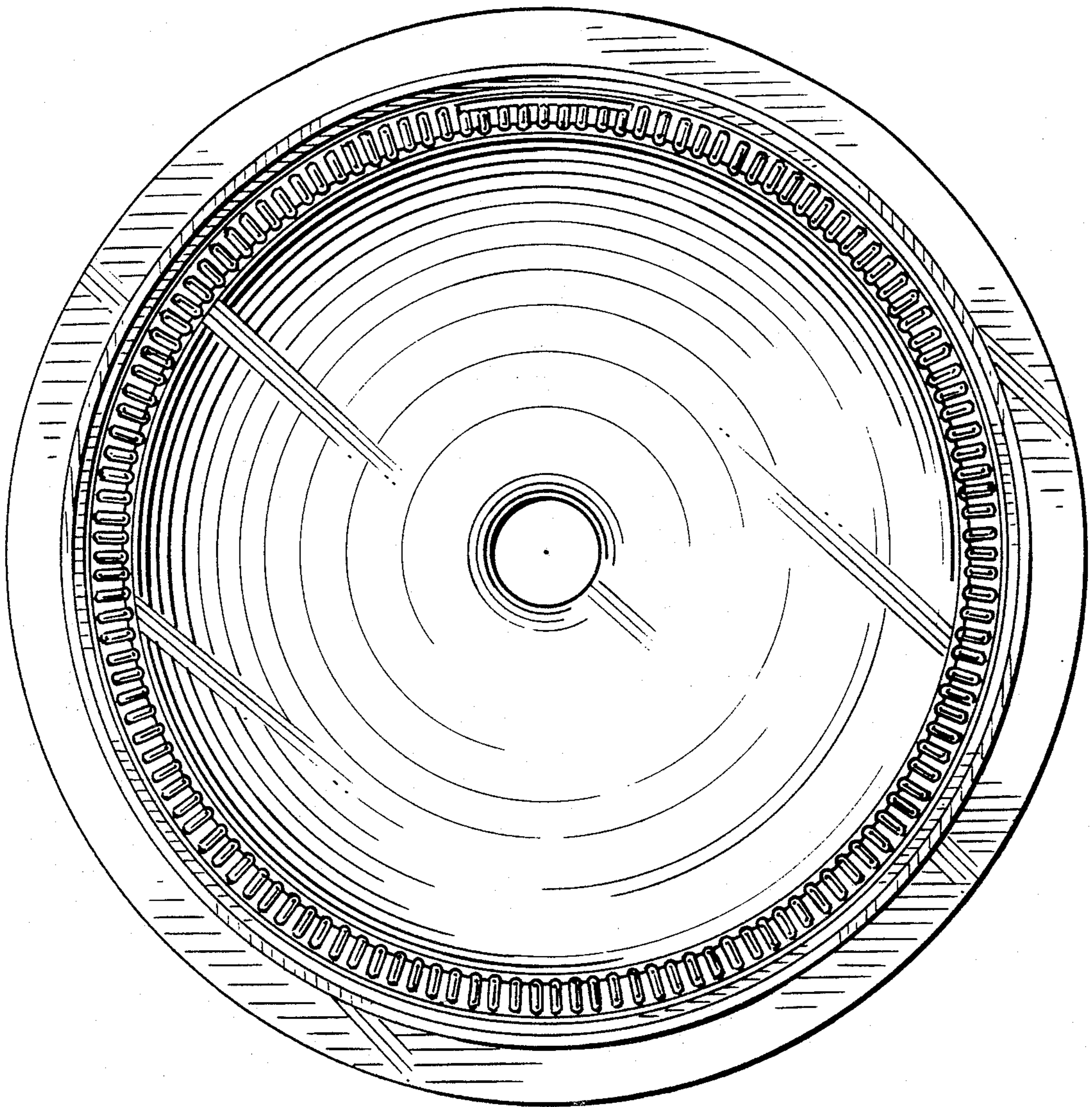


Fig. 3.

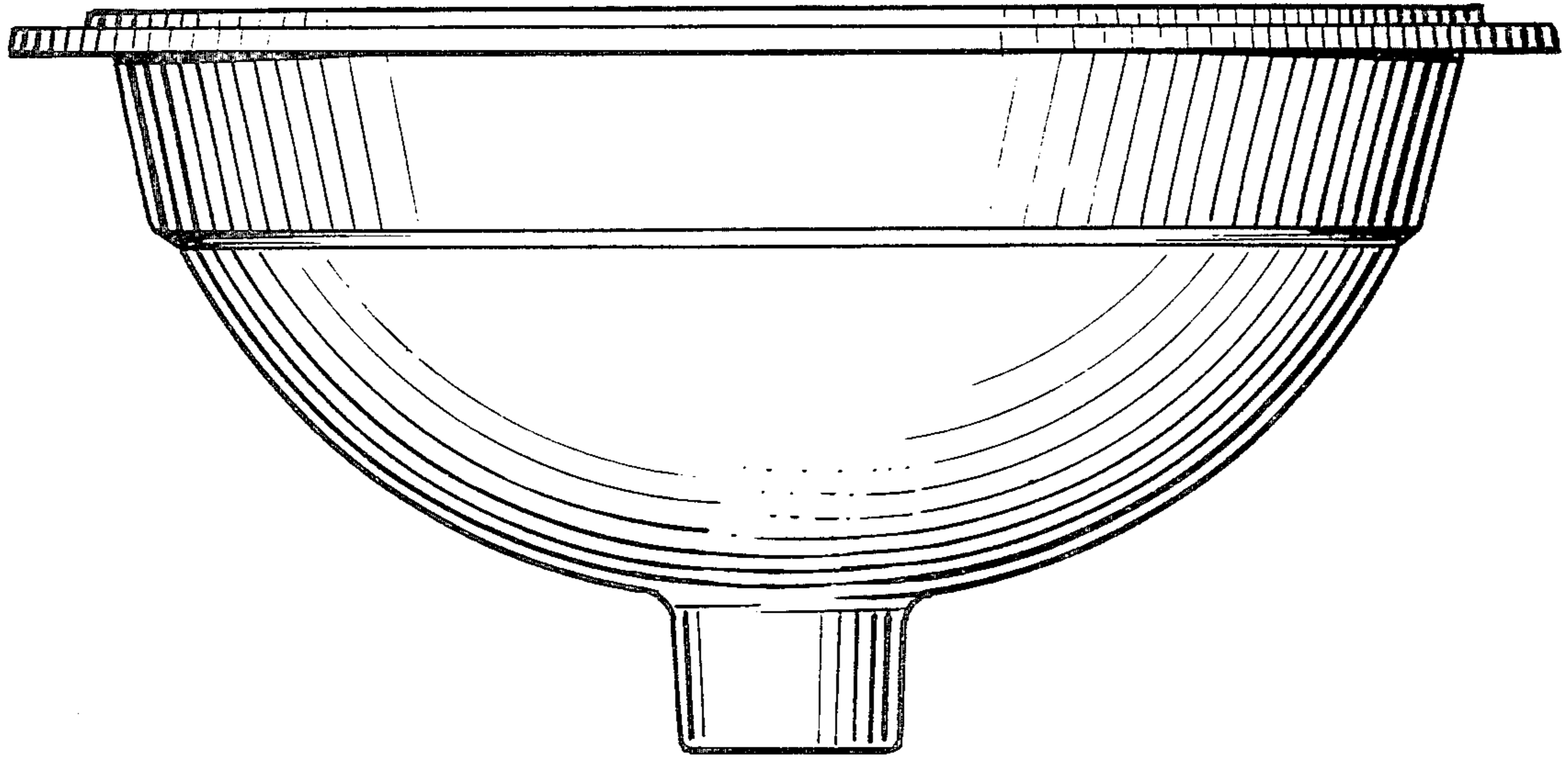


Fig. 4.

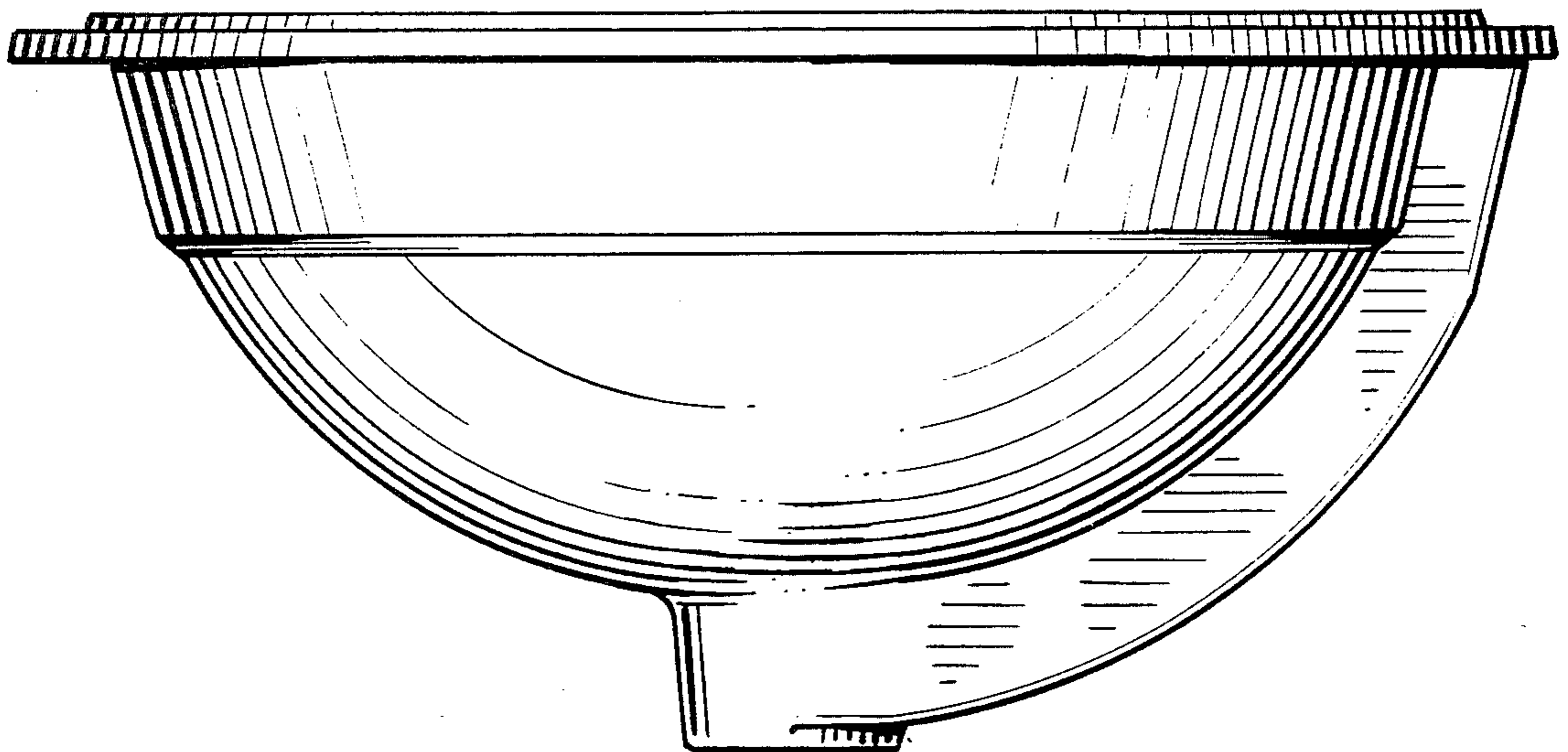


Fig. 5.

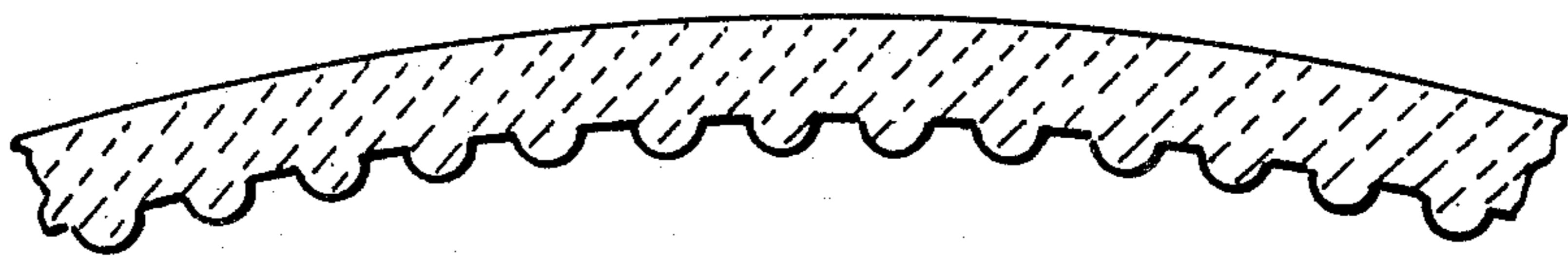
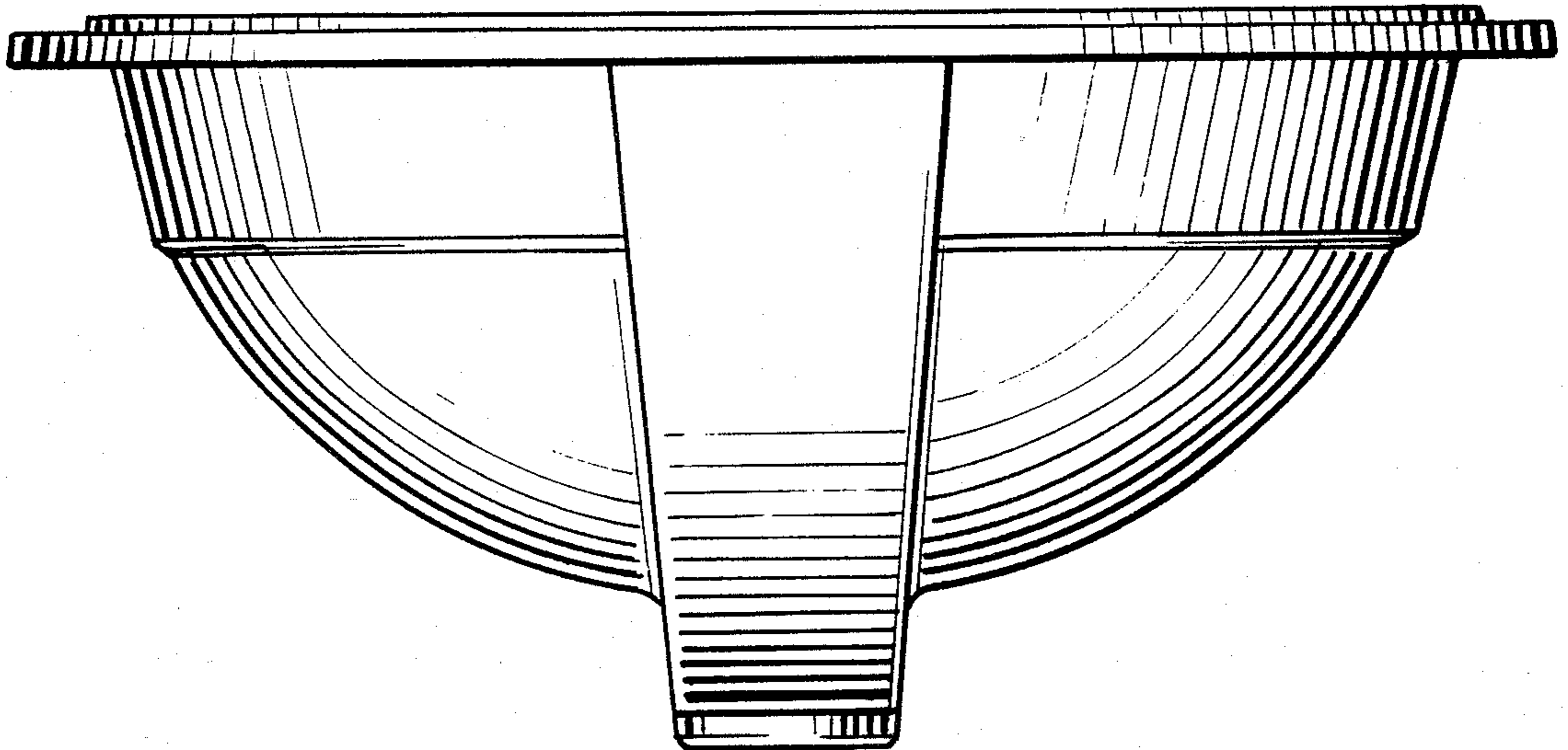


Fig. 6.