

[54] COMBINED TOY FROGMAN WITH PROPULSION UNIT

3,638,353 2/1972 Fryc et al. 446/156

[75] Inventor: Yuk F. Lau, Kowloon, Hong Kong

[73] Assignee: Tai Way (Shing Kee) Toys Co. Ltd., Kowloon, Hong Kong

[**] Term: 14 Years

[21] Appl. No.: 636,230

[22] Filed: Jul. 31, 1984

[30] Foreign Application Priority Data

Jan. 31, 1984 [GB] United Kingdom 1017600

[52] U.S. Cl. D21/150; D21/177

[58] Field of Search D21/177, 150, 236; 446/156, 153, 158; 114/315

[56] References Cited

U.S. PATENT DOCUMENTS

2,918,889 12/1959 Rebikoff 114/315

OTHER PUBLICATIONS

Playthings, Oct. 1961, p. 78, lower right, Toy Frogman. U.S. Divers Magazine, 1962, p. 21, middle right, "Flippy".

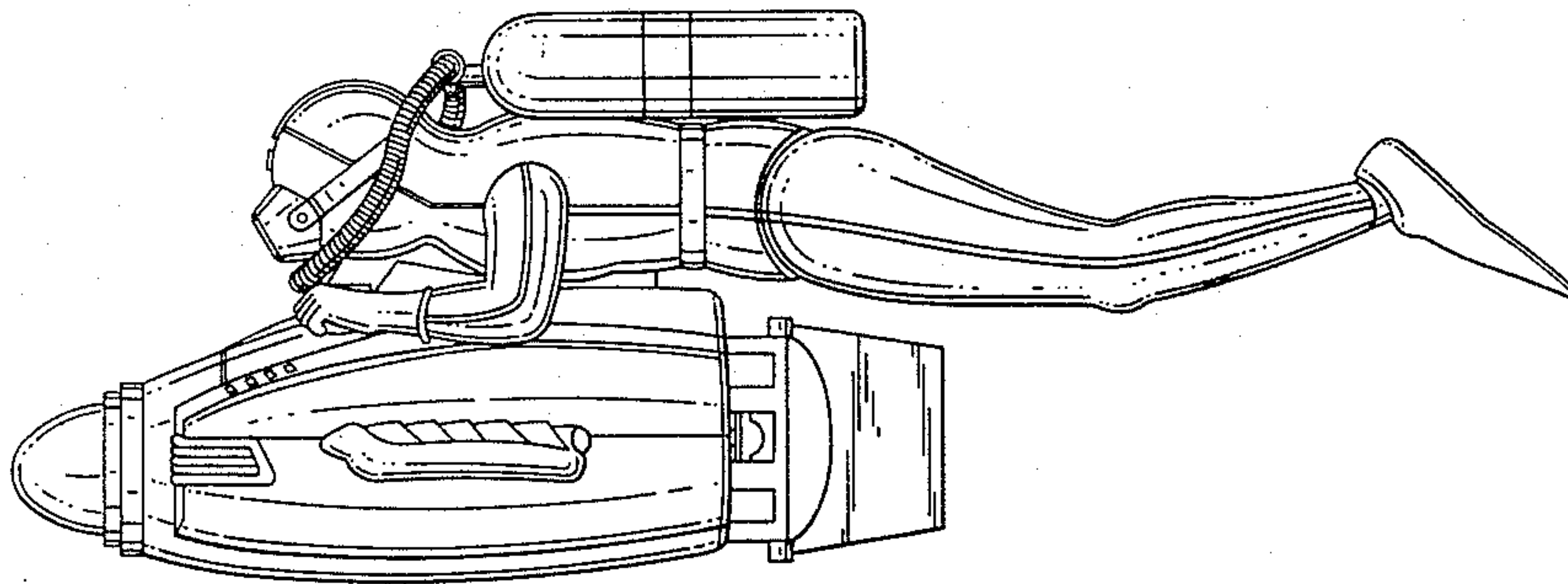
Primary Examiner—Melvin B. Feifer
Attorney, Agent, or Firm—Bacon & Thomas

[57] CLAIM

The ornamental design for a combined toy frogman with propulsion unit, substantially shown.

DESCRIPTION

FIG. 1 is a top plan view of a combined toy frogman with propulsion unit showing my new design; FIG. 2 is an elevation of one side, the other side being a mirror image thereof; FIG. 3 is a bottom plan view; FIG. 4 is a front elevation; and FIG. 5 is a rear elevation.



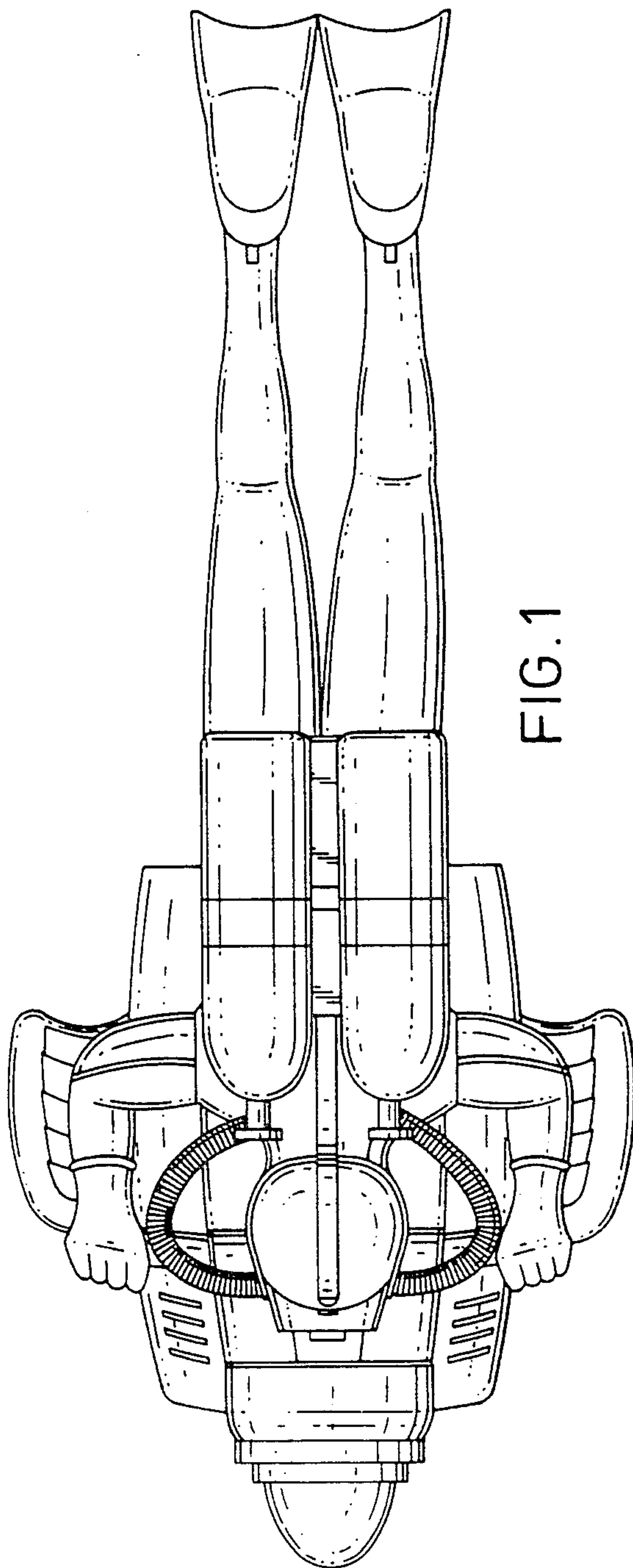


FIG. 1

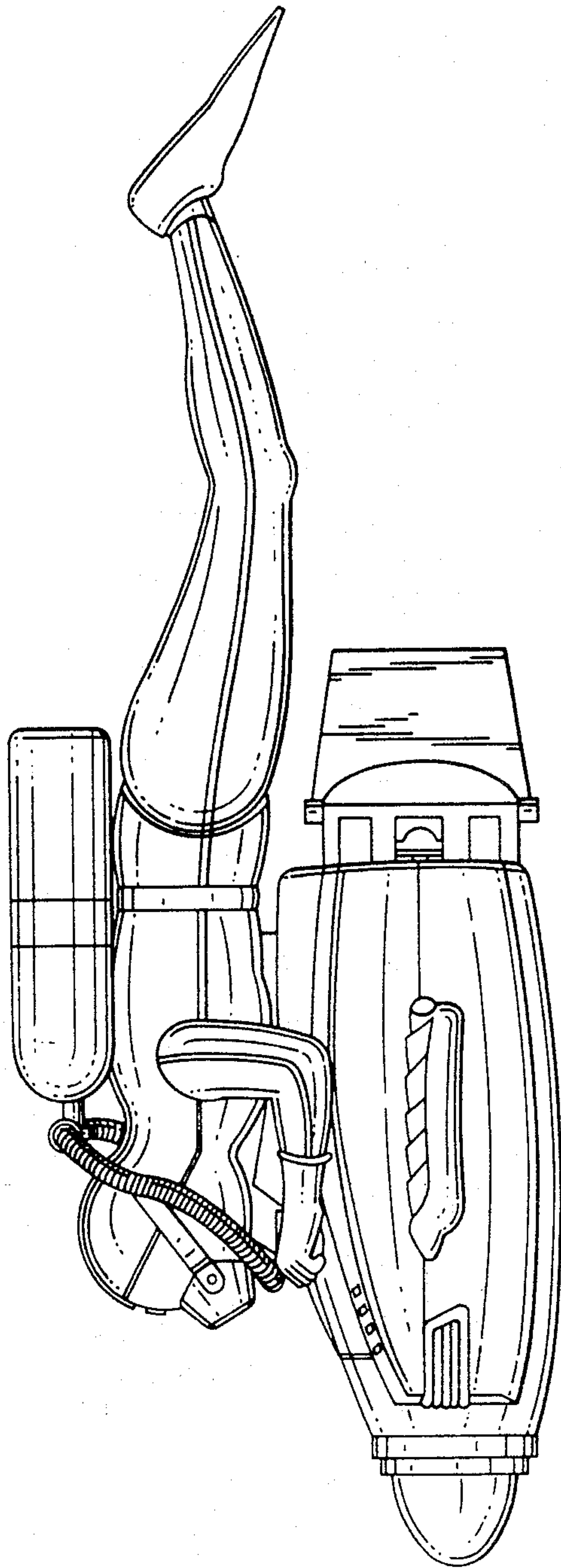


FIG. 2

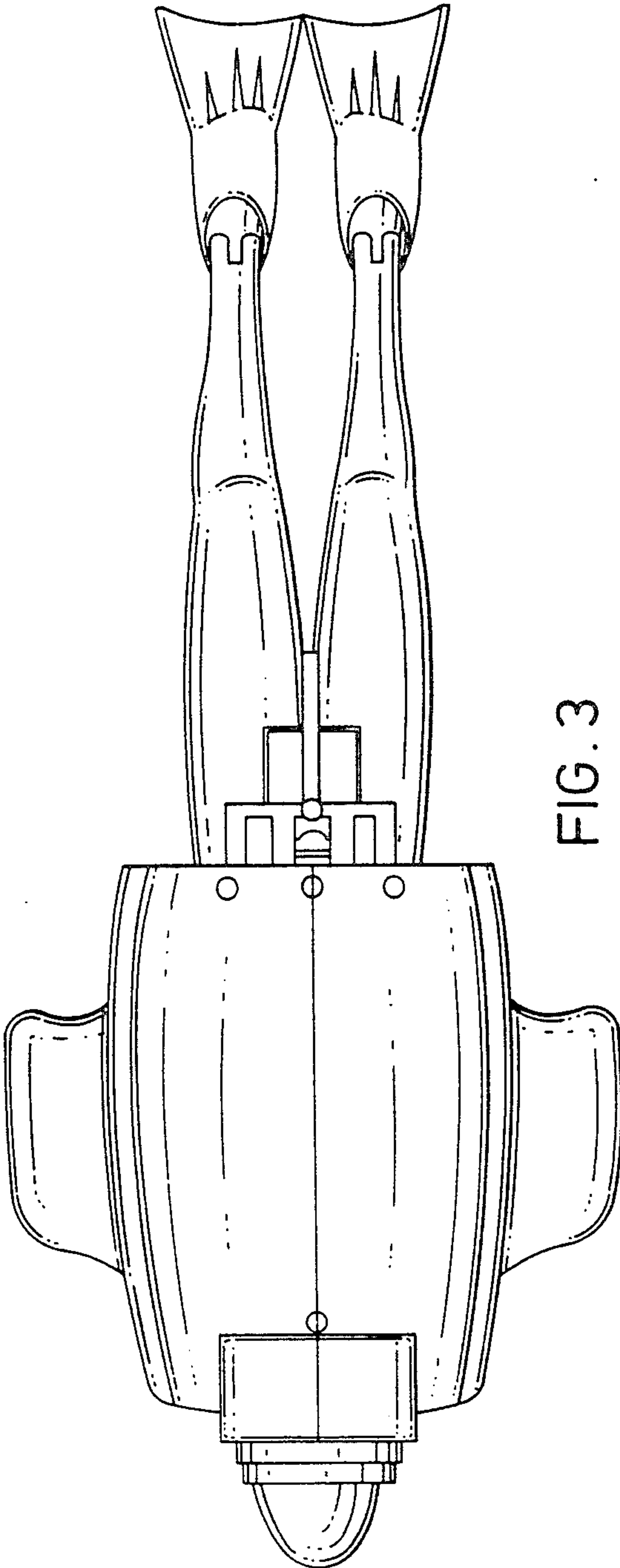


FIG. 3

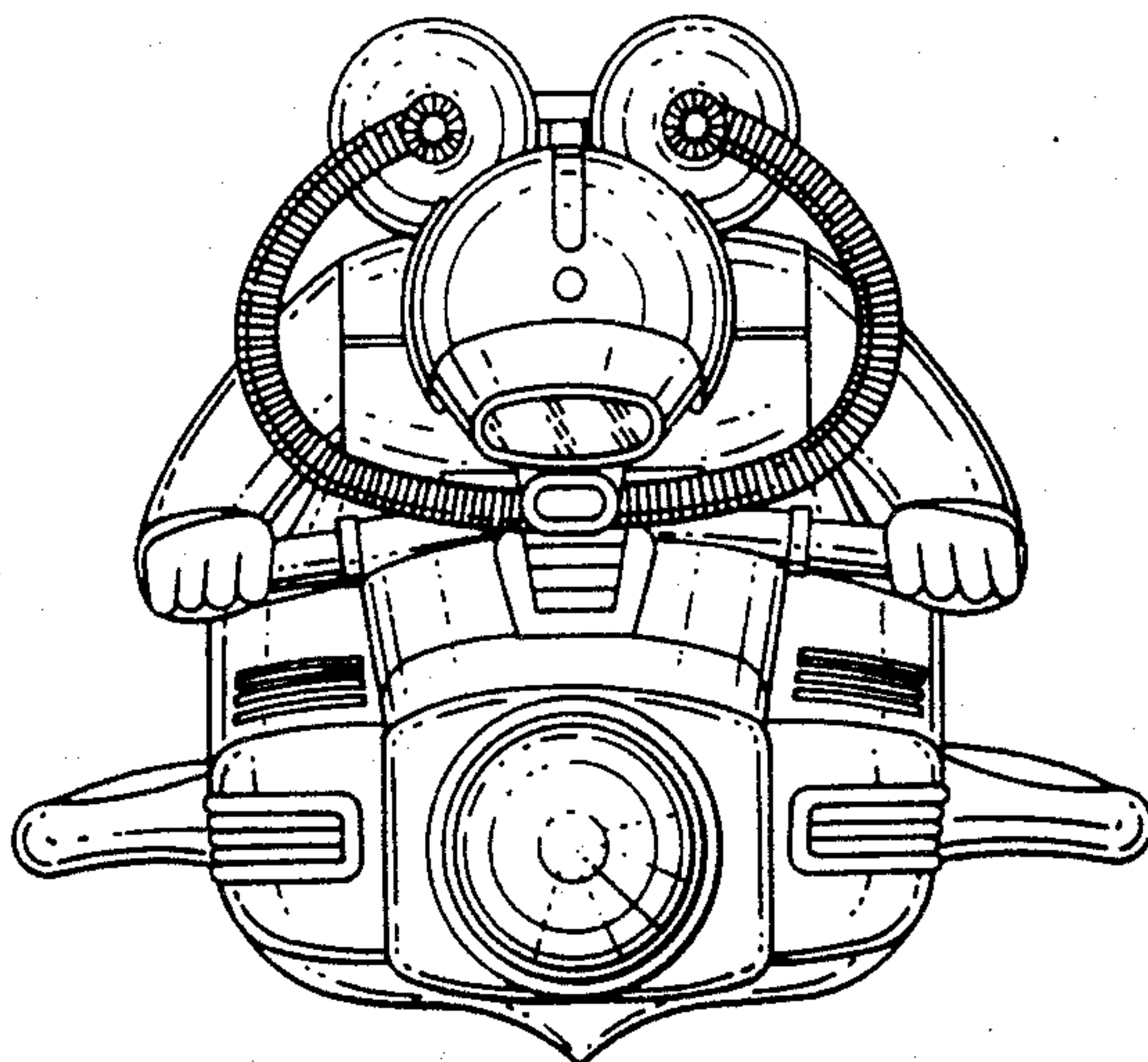


FIG. 4

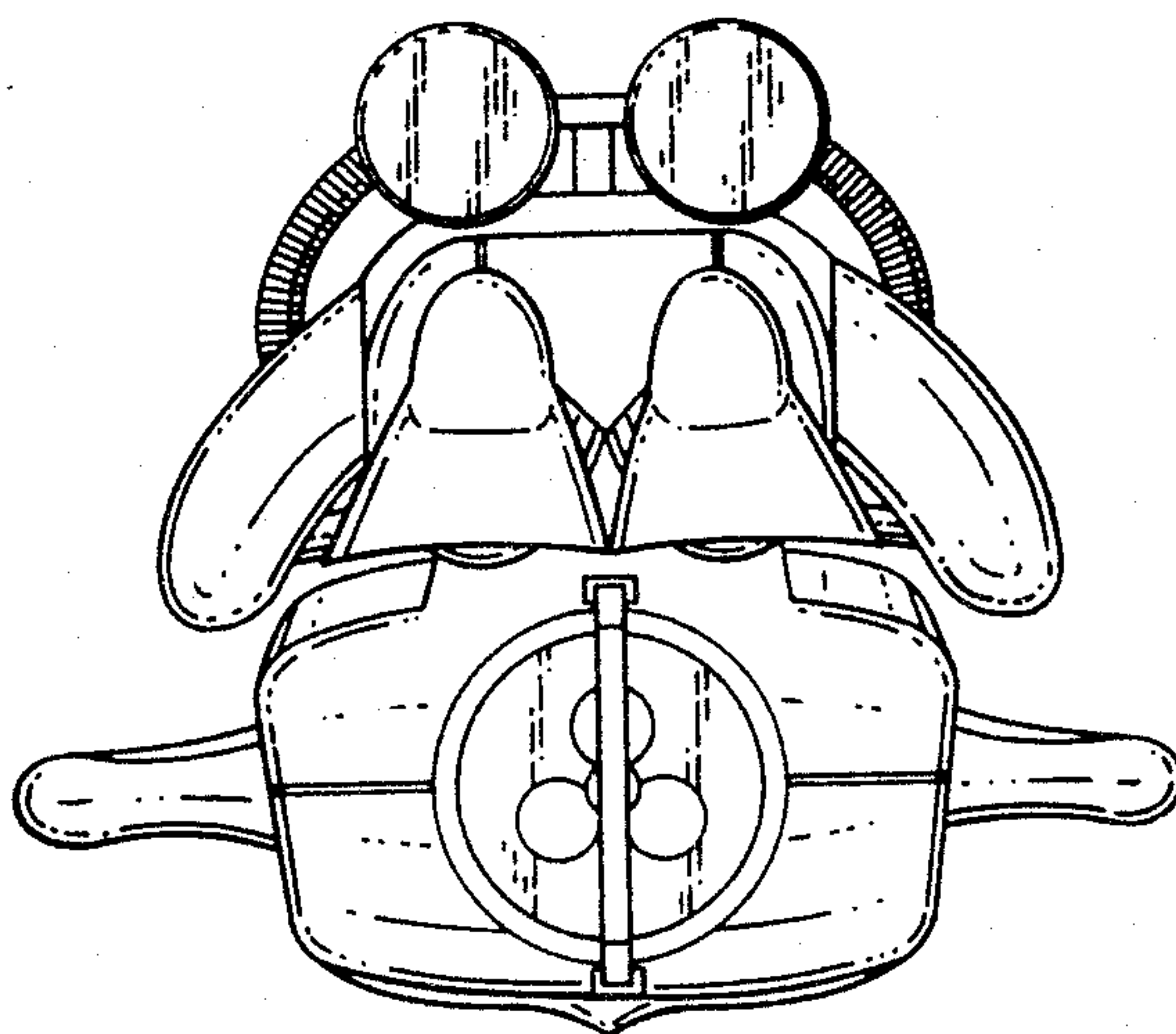


FIG. 5