

[54] RECONFIGURABLE TOY POWER SHOVEL

[75] Inventor: Kouzin Ohno, Tokyo, Japan

[73] Assignee: Takara Co., Ltd., Tokyo, Japan

[**] Term: 14 Years

[21] Appl. No.: 647,233

[22] Filed: Sep. 4, 1984

[30] Foreign Application Priority Data

Mar. 28, 1984 [JP] Japan 59-12034

[52] U.S. Cl. D21/131; D21/132; D21/150; D21/166

[58] Field of Search D21/128, 131, 132, 134, D21/136, 138, 150, 166; 446/71, 72, 76, 77, 94, 97, 383, 381, 487

[56] References Cited

U.S. PATENT DOCUMENTS

D. 198,461	6/1964	McCoy	D21/132
D. 211,805	7/1968	Genin	D21/132
D. 243,267	2/1977	Breneman et al.	D21/132
D. 250,672	12/1978	Ogawa	D21/132
D. 252,228	6/1979	Asano	D21/132
D. 279,305	6/1985	Murakami	D21/129

Primary Examiner—Charles A. Rademaker
Attorney, Agent, or Firm—Price, Gess & Ubell

[57] CLAIM

The ornamental design for a reconfigurable toy power shovel, substantially as shown and described.

DESCRIPTION

FIG. 1 is a side perspective view of a reconfigurable toy power shovel showing my new design;
 FIG. 2 is a front elevational view thereof;
 FIG. 3 is a rear elevational view thereof;
 FIG. 4 is a top plan view thereof;
 FIG. 5 is a bottom plan view thereof;
 FIG. 6 is a right side elevational view thereof;
 FIG. 7 is a left side elevational view thereof;
 FIG. 8 is another side perspective view of the design shown in FIGS. 1 through 6 in a humanoid robot reconfiguration;
 FIG. 9 is a front elevational view thereof;
 FIG. 10 is a rear elevational view thereof;
 FIG. 11 is a top plan view thereof;
 FIG. 12 is a bottom plan view thereof;
 FIG. 13 is a right side elevational view thereof; and,
 FIG. 14 is a left side elevational view thereof.

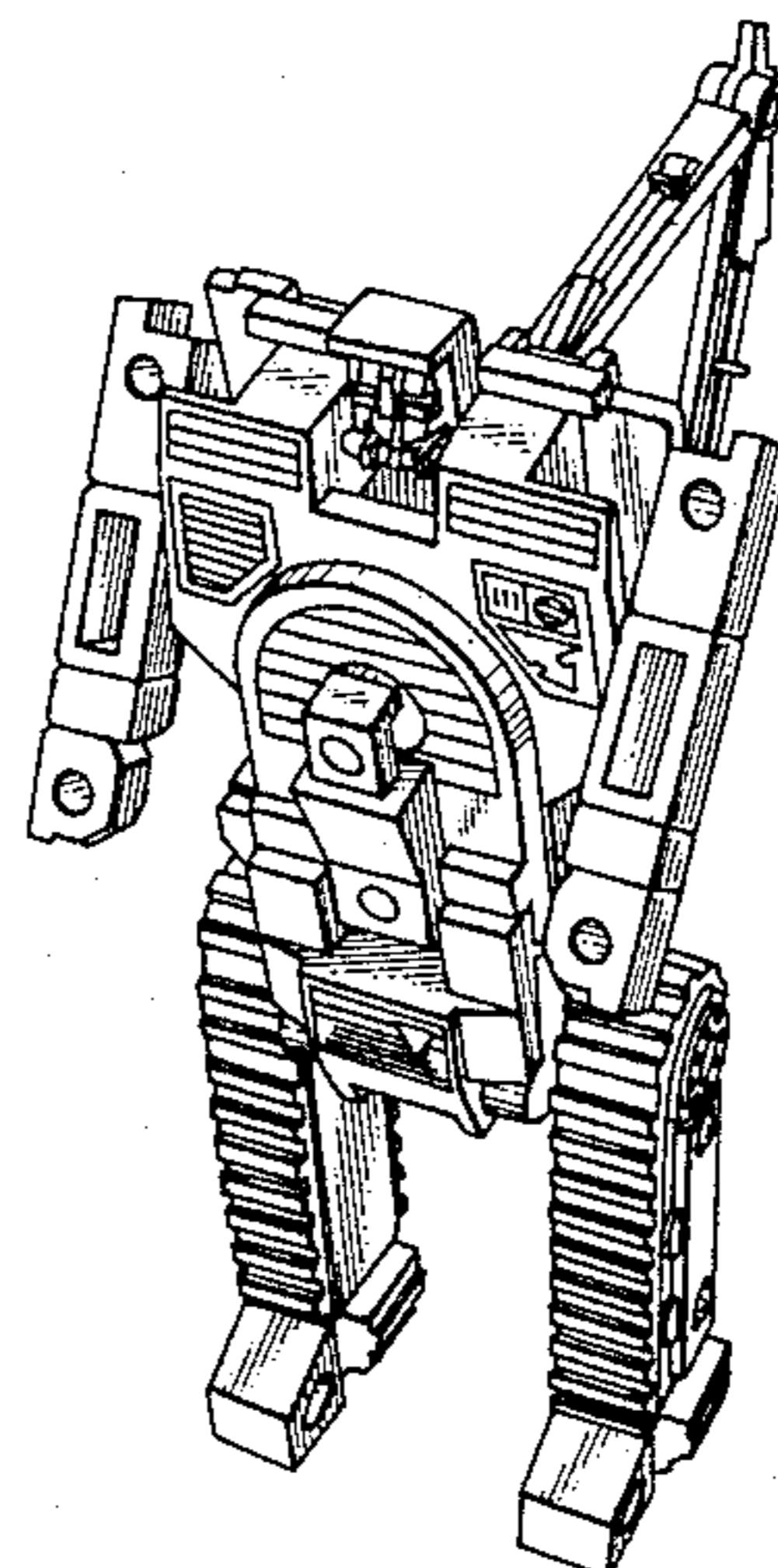
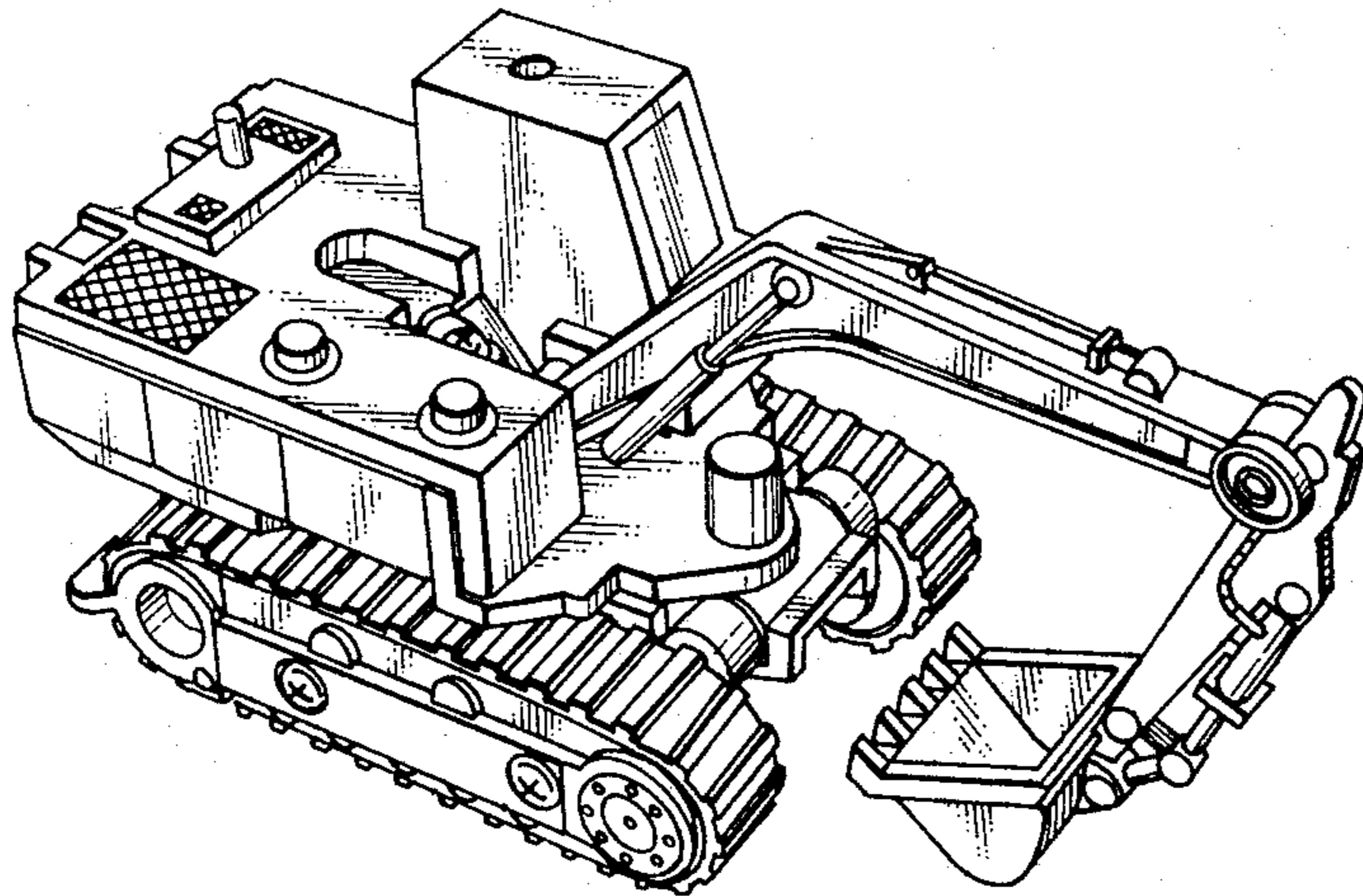


FIG. 1

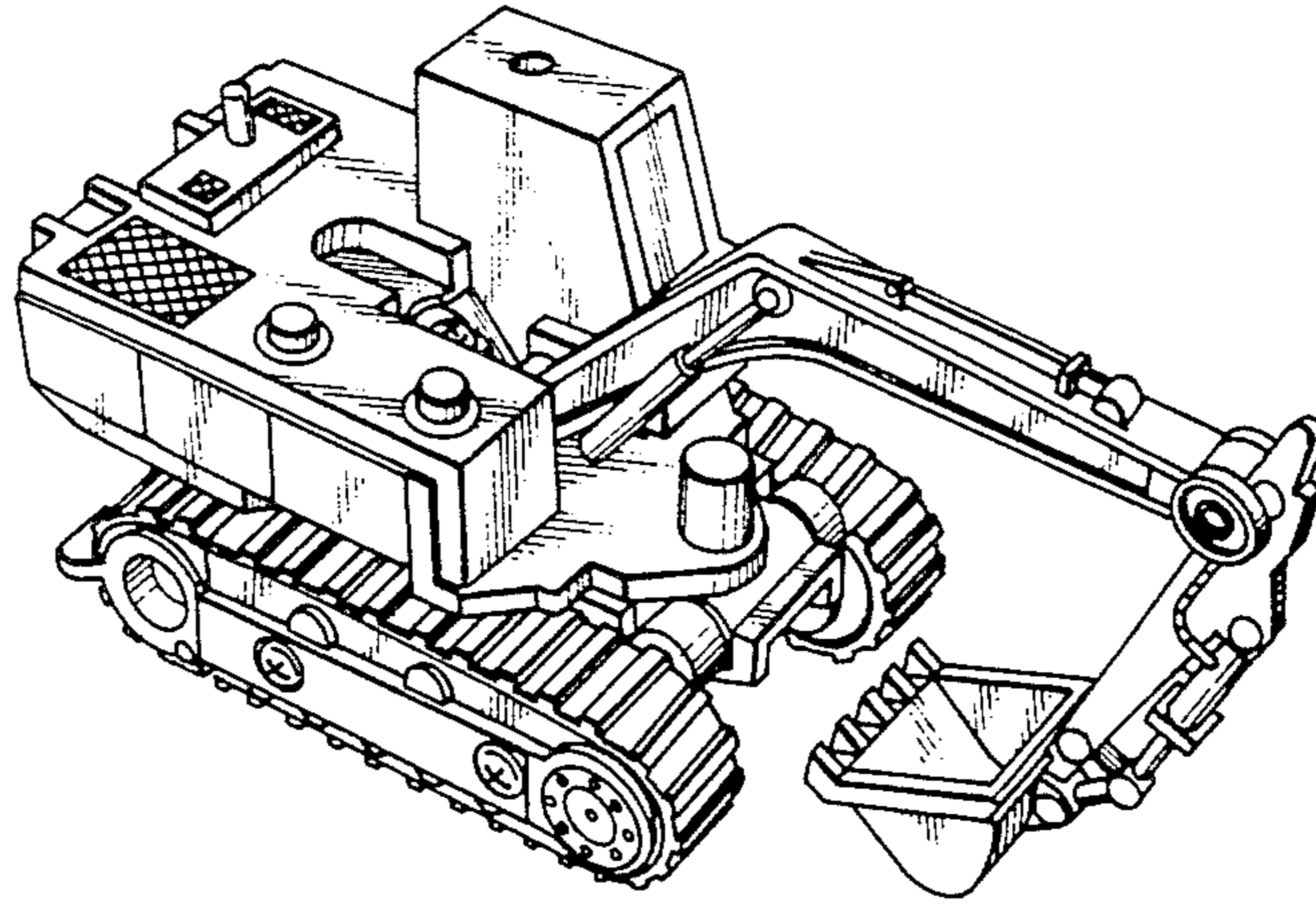


FIG. 2

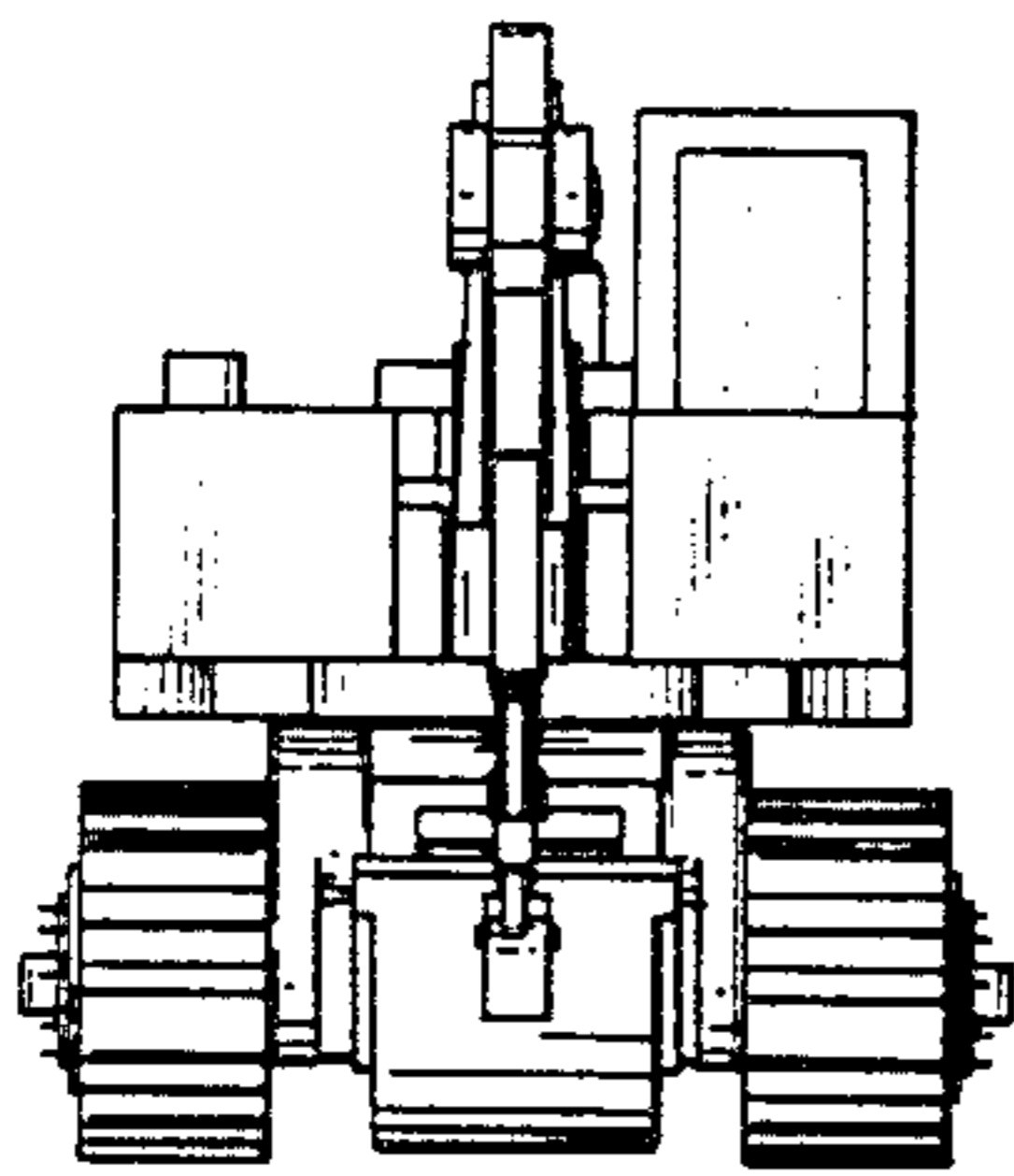


FIG. 3

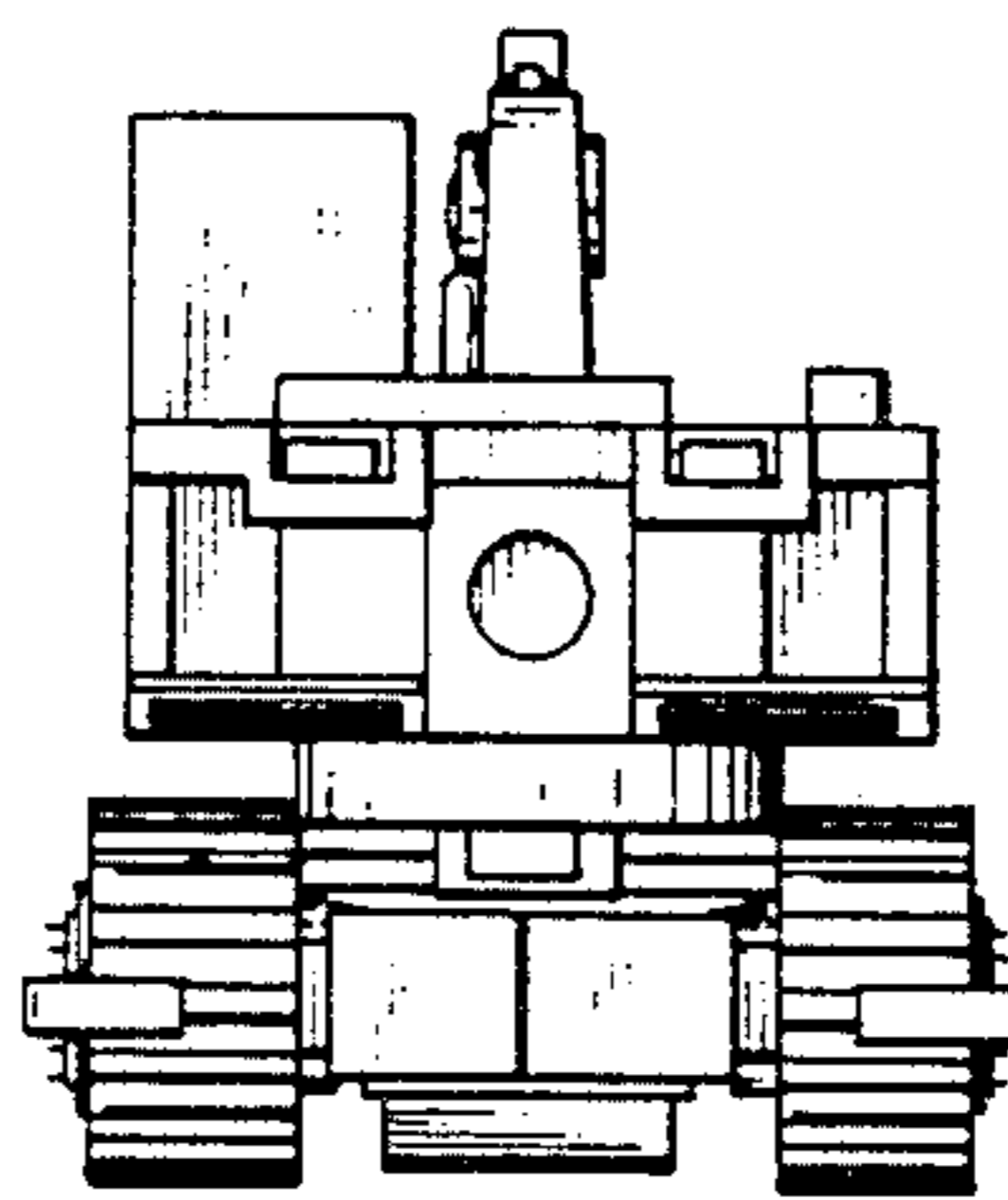


FIG. 4

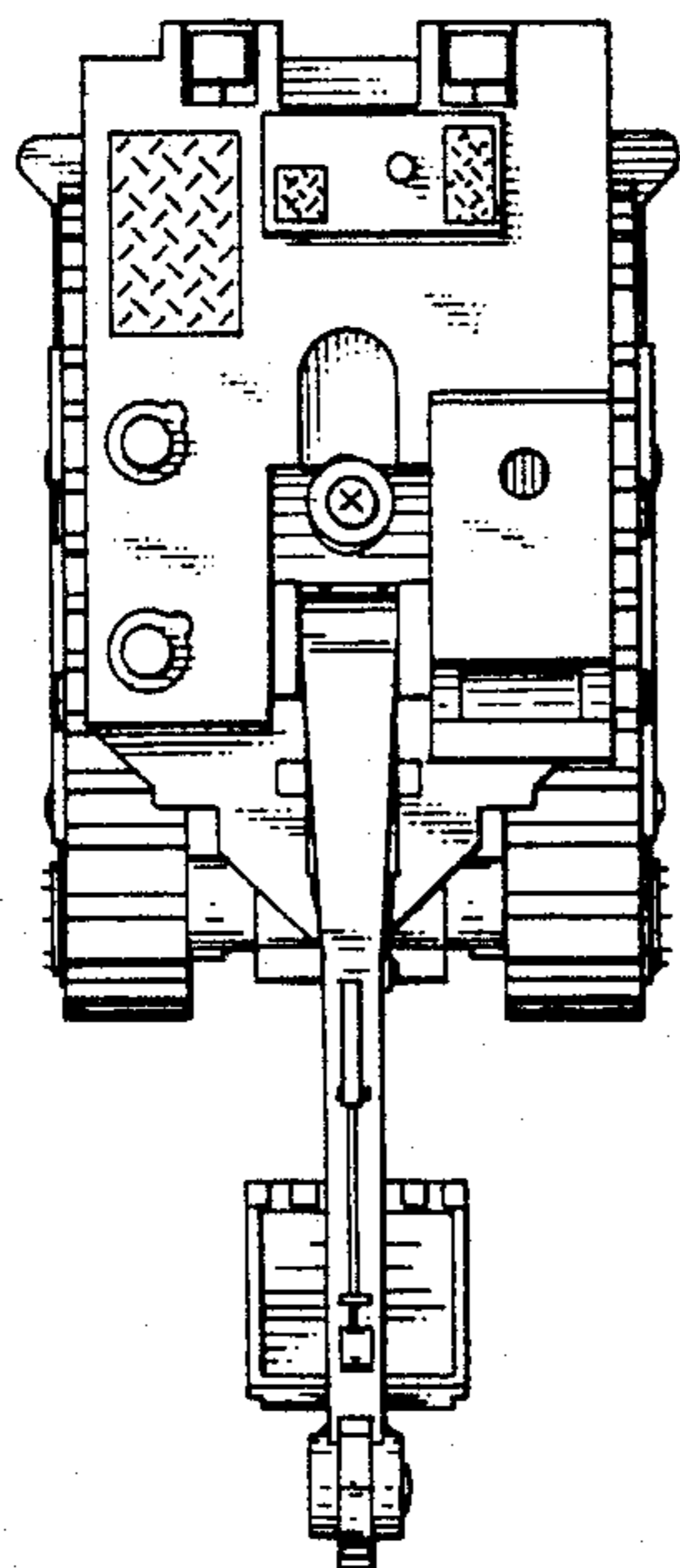


FIG. 5

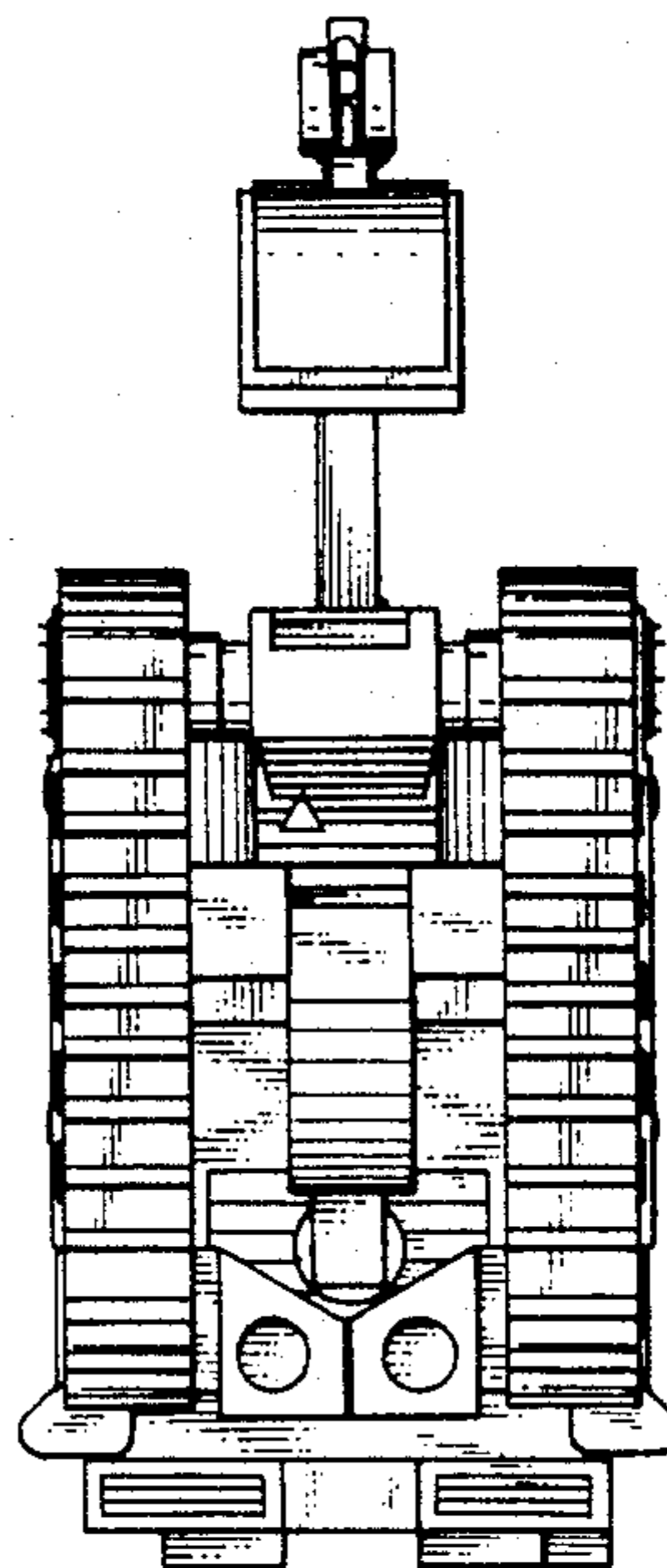


FIG. 6

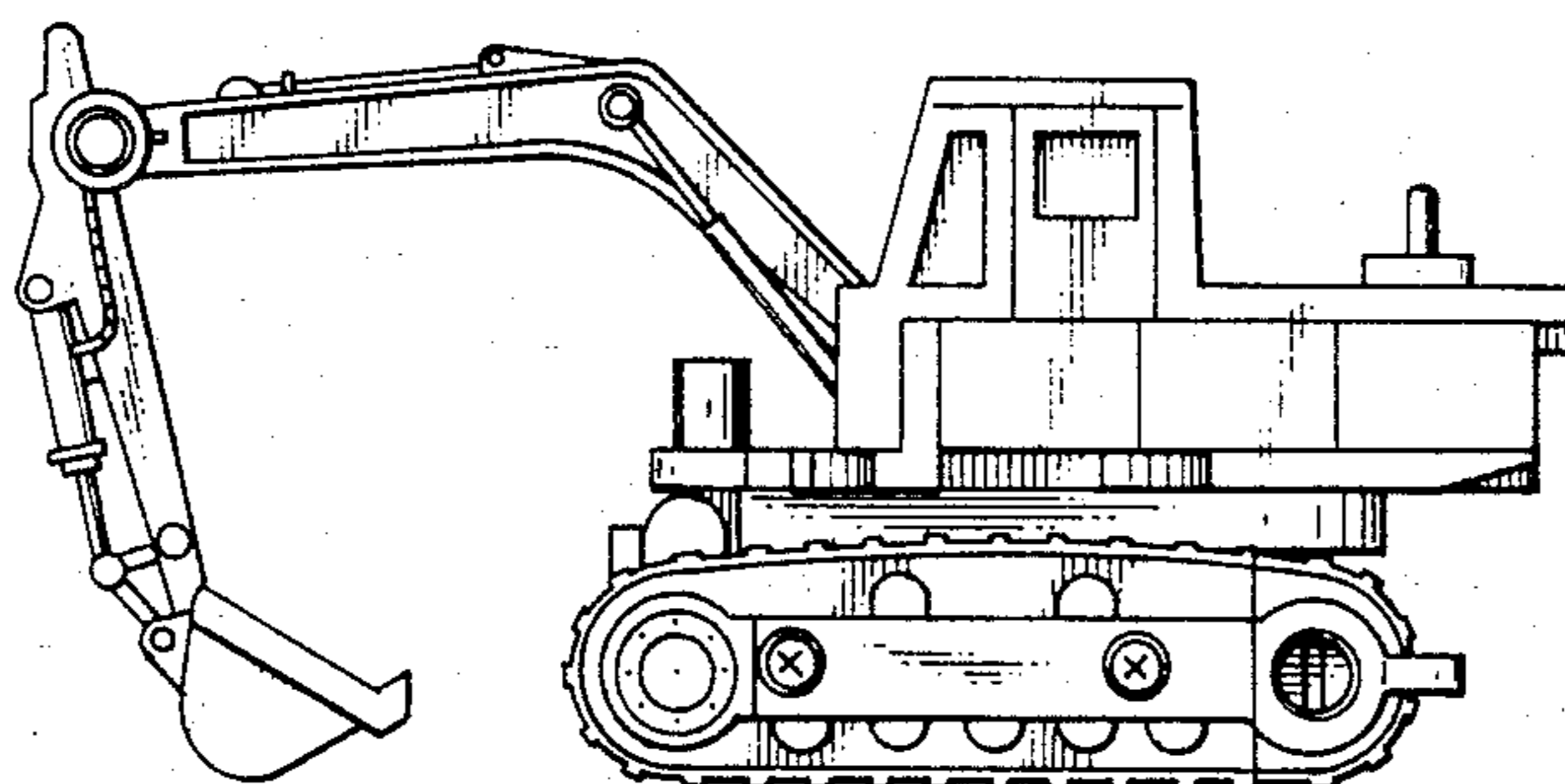


FIG. 7

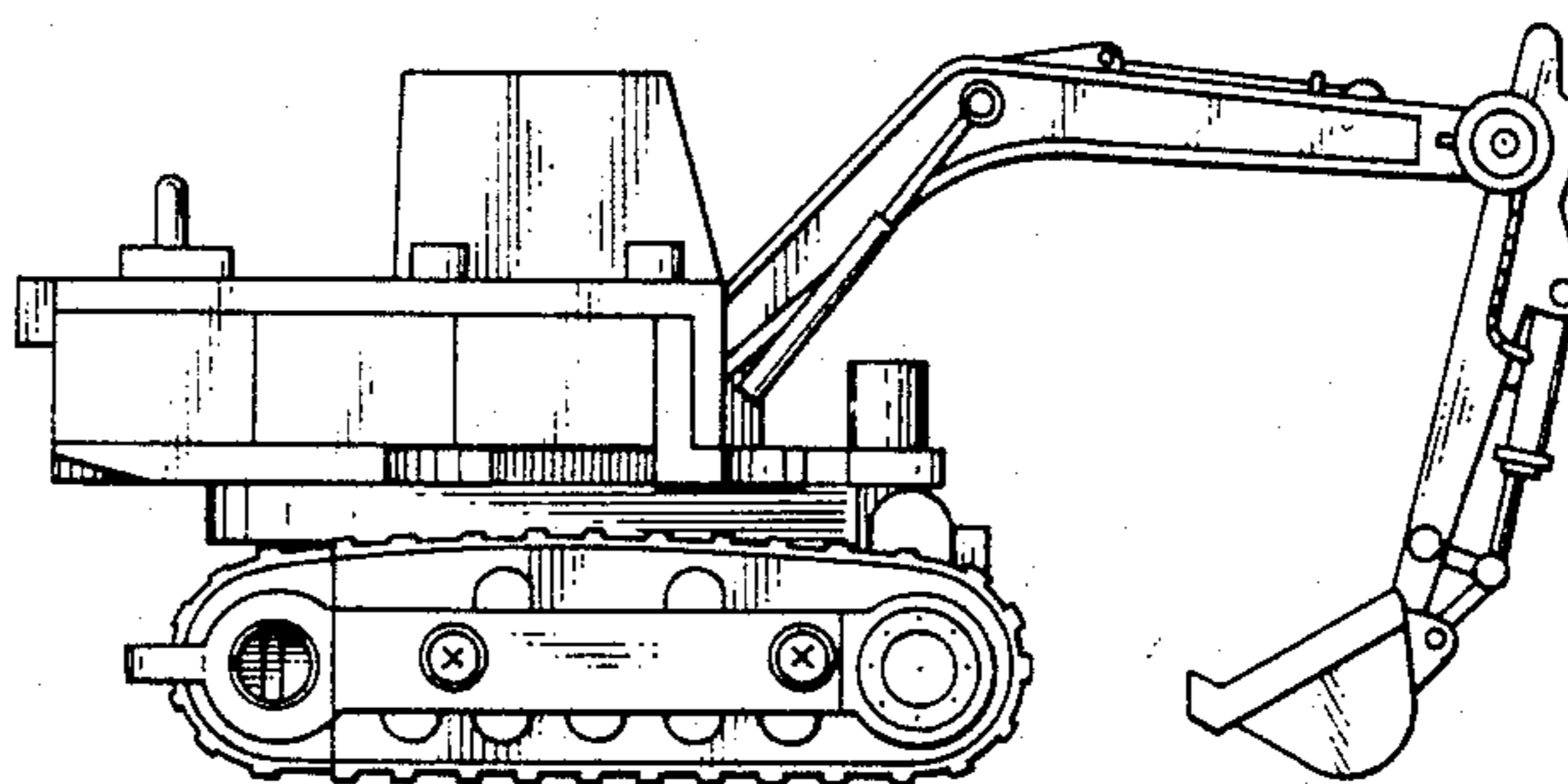


FIG. 8

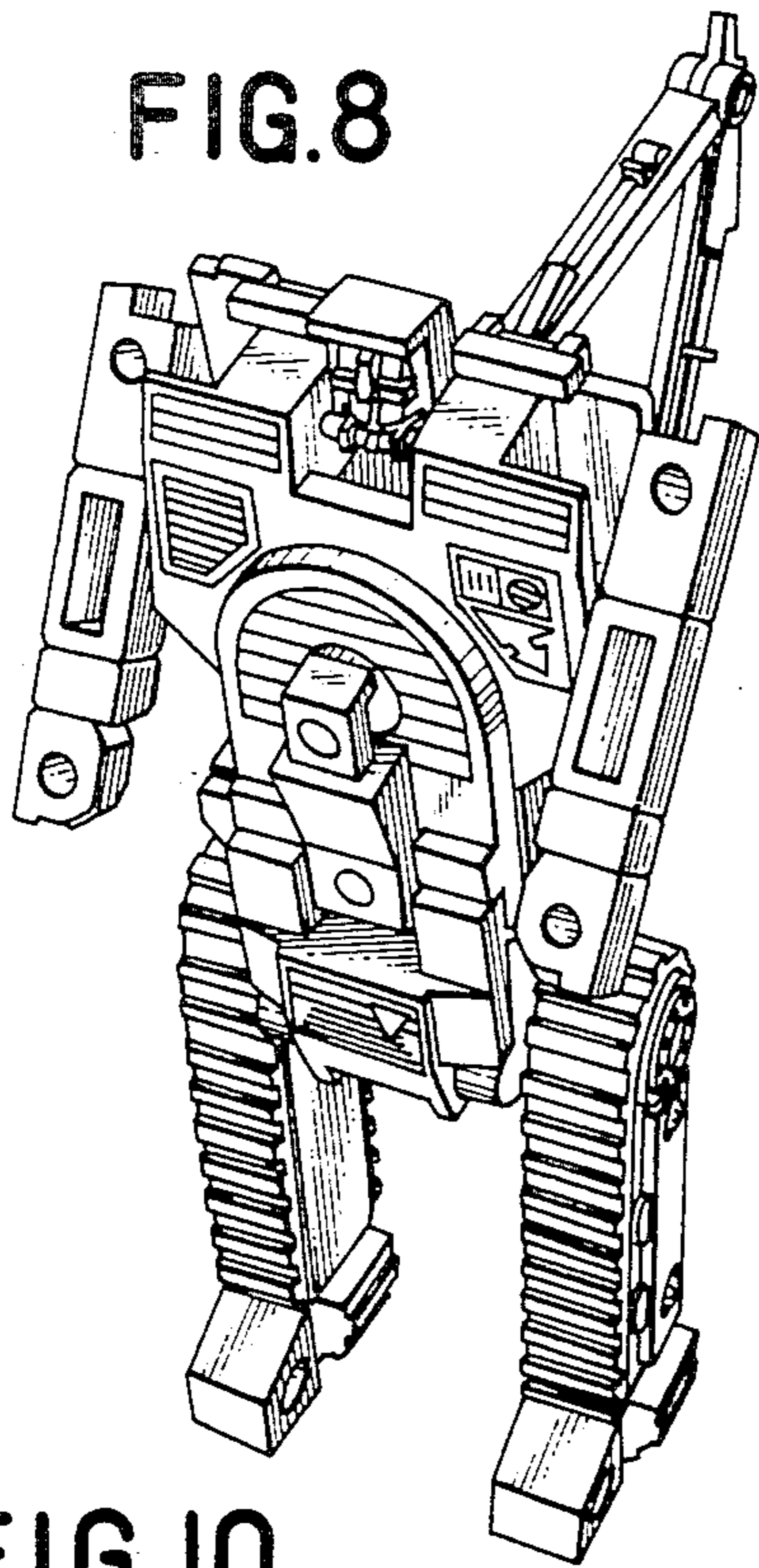


FIG. 9

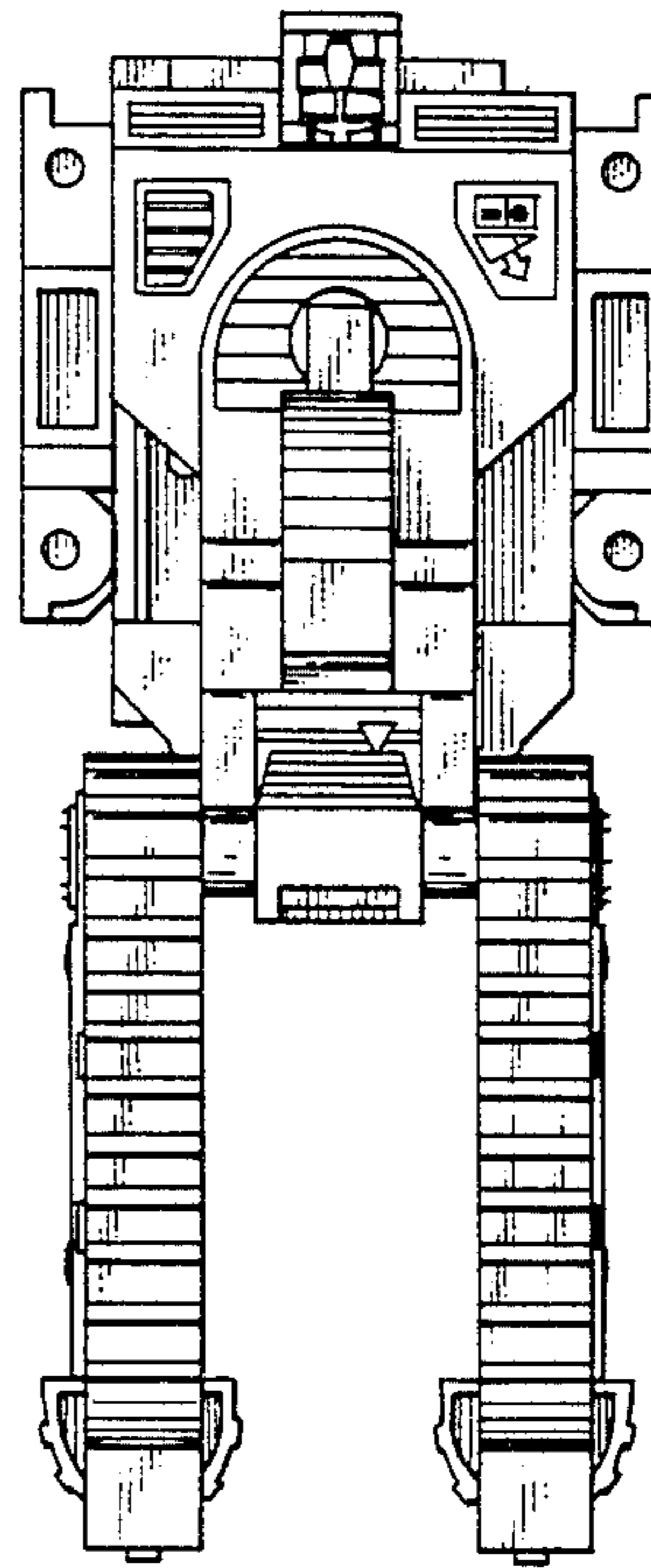


FIG. 10

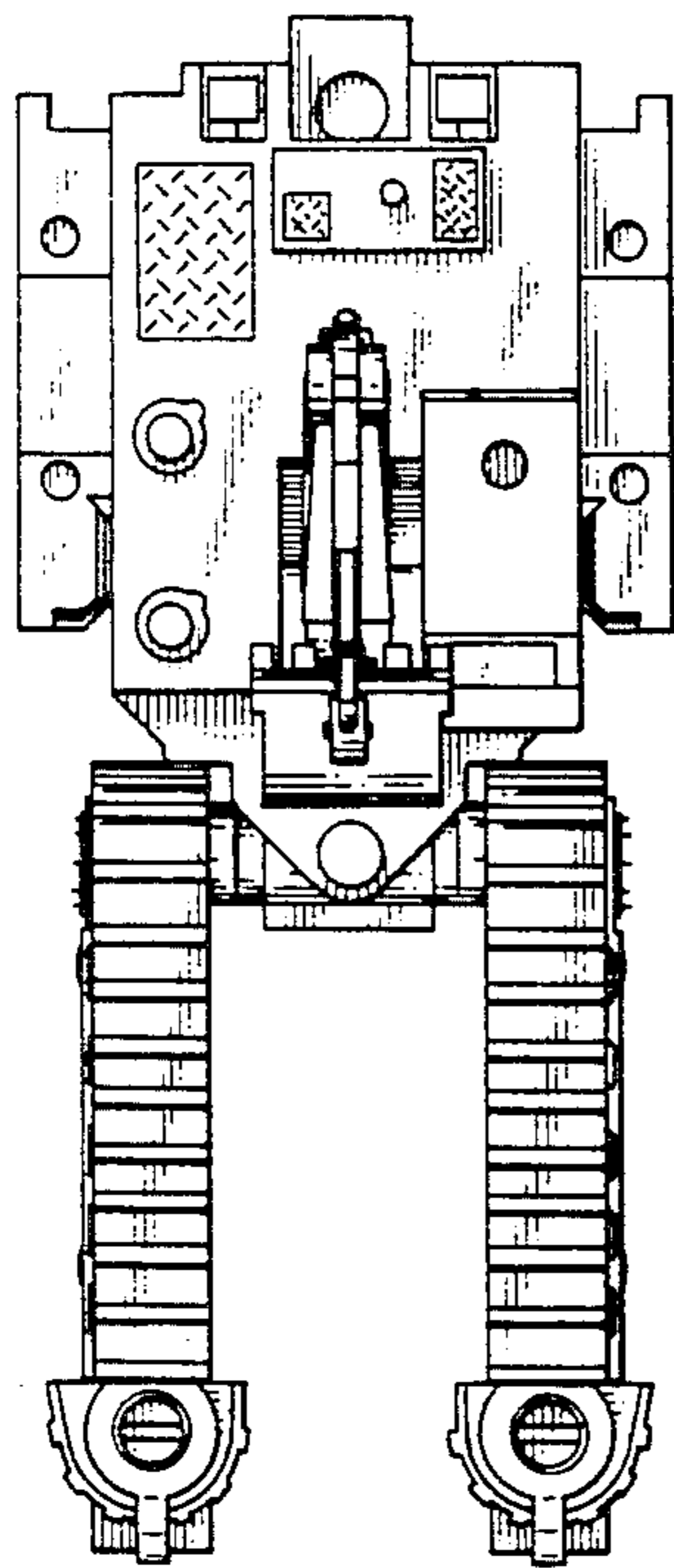


FIG. 11

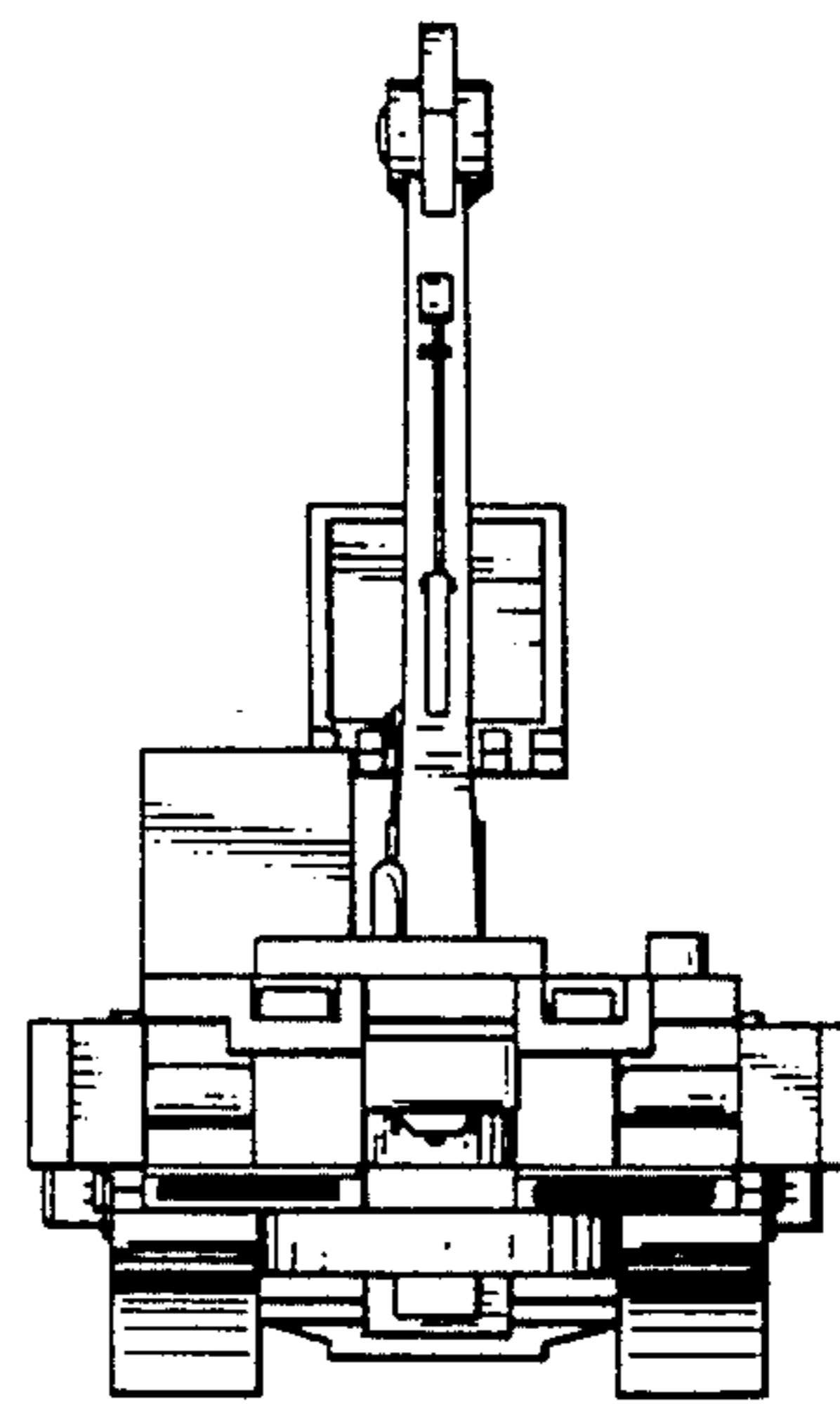


FIG.12

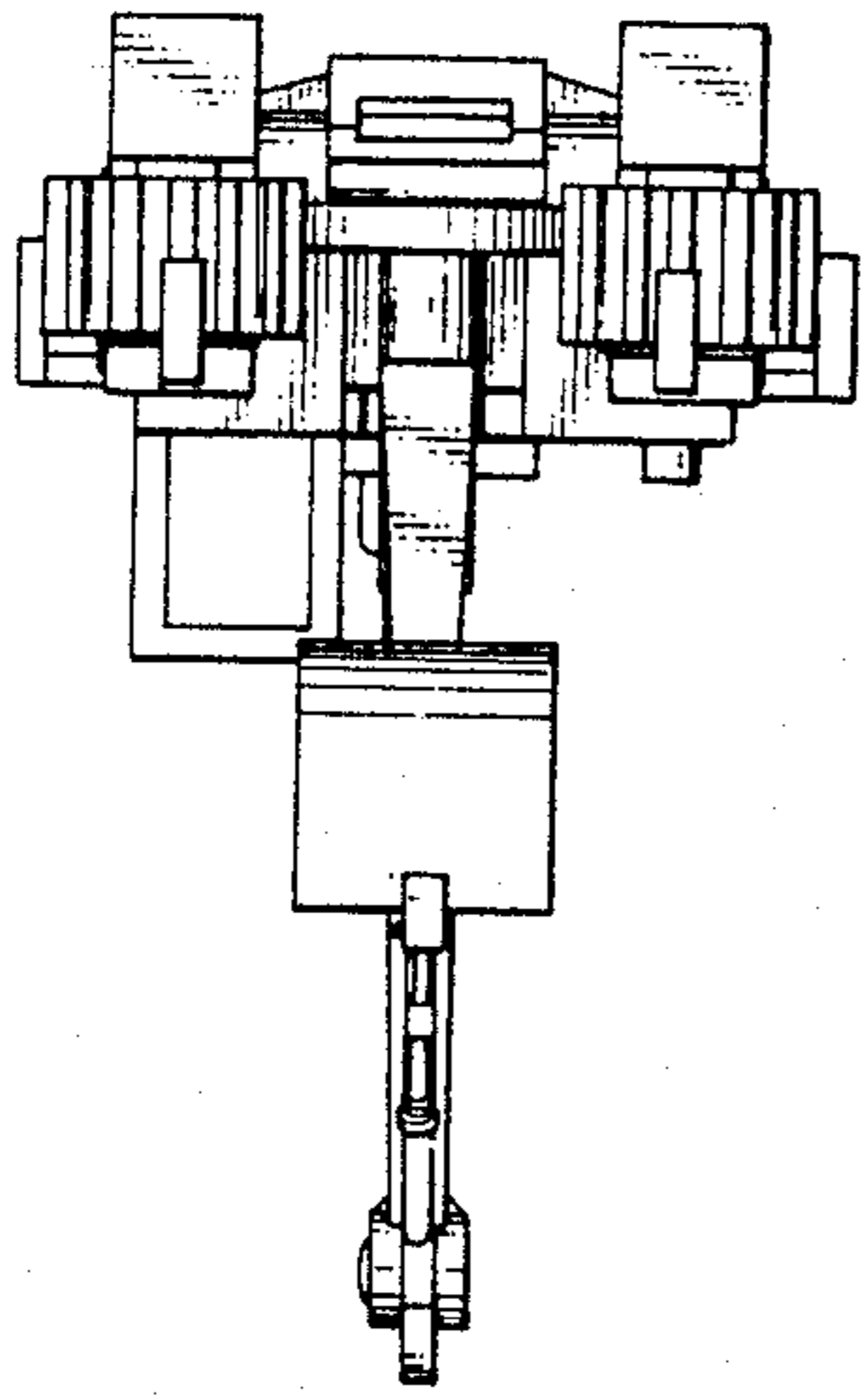


FIG.13

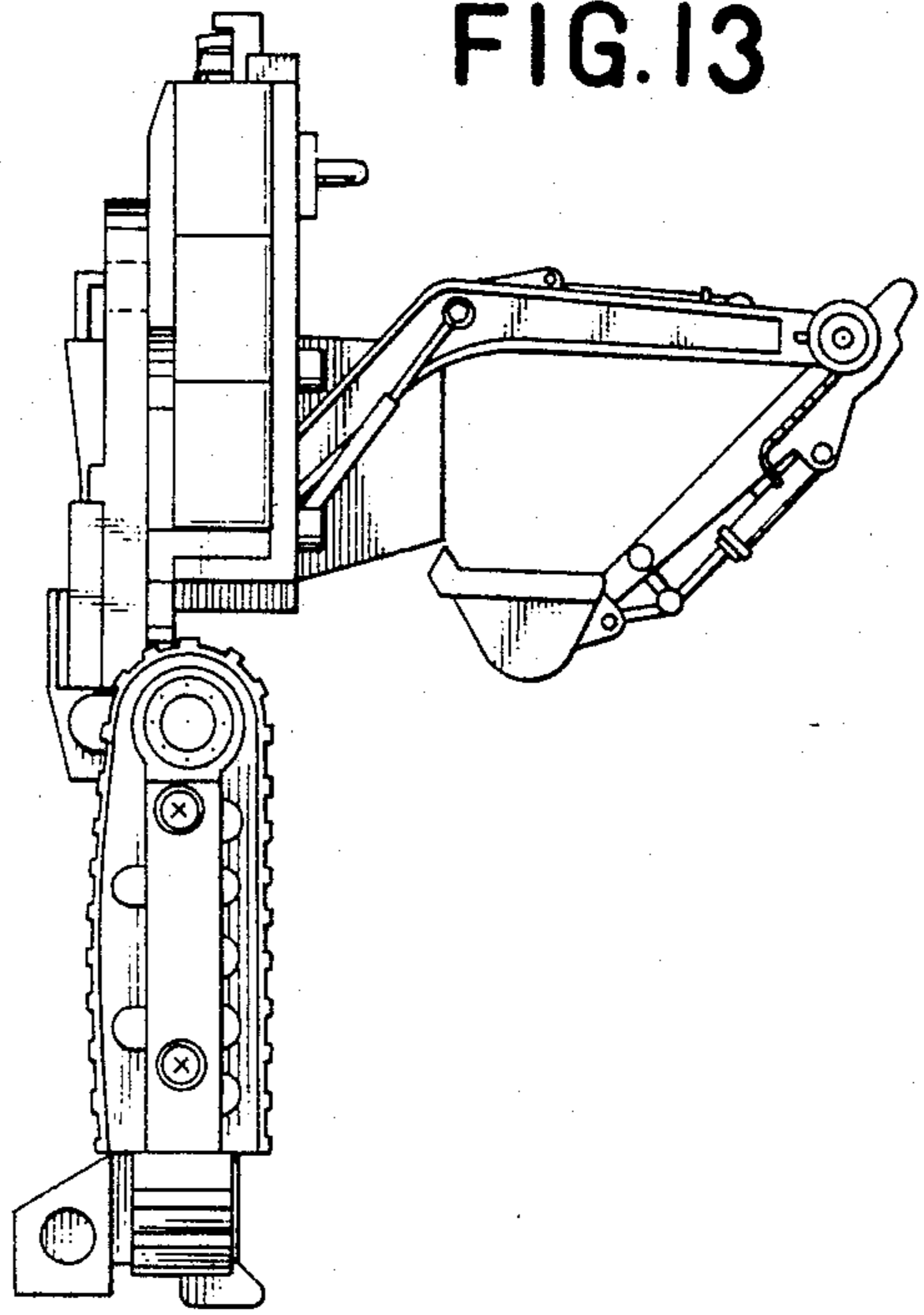


FIG.14

