

[54] TECHNICAL PEN ADAPTER

[76] Inventors: J. Frank Carroll, 16806 NE. 31st, Bellevue, Wash. 98008; Edward M. Williamson, 10650 Exeter Ave. NE., Seattle, Wash. 98125

[**] Term: 14 Years

[21] Appl. No.: 625,219

[22] Filed: Jun. 27, 1984

[52] U.S. Cl. D19/54; D19/99

[58] Field of Search D19/35, 36, 41-51, D19/56, 55; 401/292; 33/18 A, 30 C

[56] References Cited

U.S. PATENT DOCUMENTS

D. 262,976 2/1982 Koelichen, Jr. D19/41

OTHER PUBLICATIONS

Post Professional Drafting Rm. Eq. & Supplies Cat. 1969, p. 54, Item No. 890 R.

Dietzgen Drafting Eq. Supplies & Fur. Cat. No. 2, 1978, p. 5, Item no. 718KA.

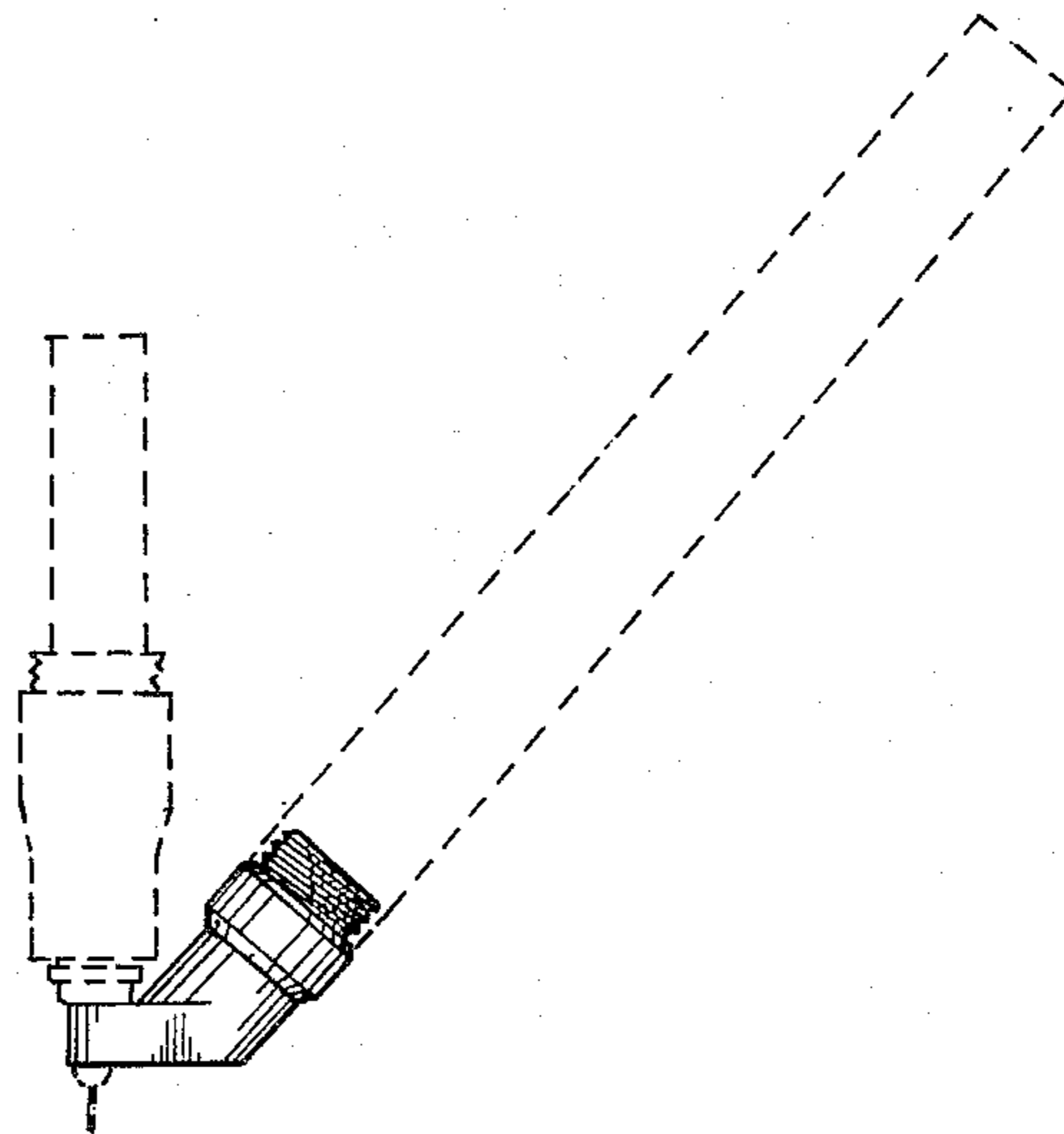
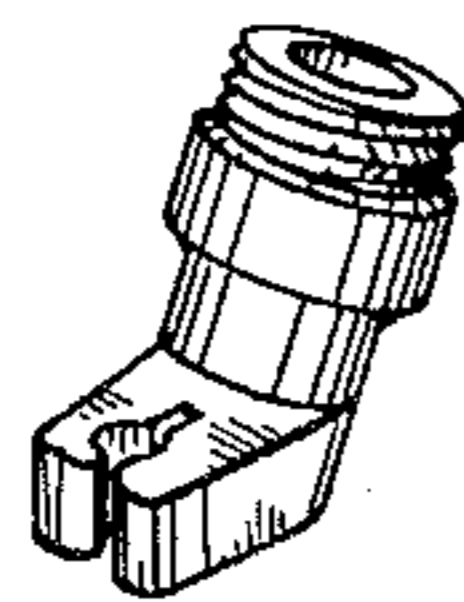
Primary Examiner—George P. Word
Attorney, Agent, or Firm—Christensen, O'Connor, Johnson & Kindness

[57] CLAIM

The ornamental design for a technical pen adapter, substantially as shown and described.

DESCRIPTION

FIG. 1 is a perspective view of a technical pen adapter showing our new design;
FIG. 2 is a right side elevational view thereof, the environmental structure shown in dotted lines depicting the barrel and head of a technical pen is for illustrative purposes only and not a part of the design;
FIG. 3 is an enlarged scale top plan view thereof;
FIG. 4 is an enlarged scale left side elevational view thereof; and
FIG. 5 is a front elevational view thereof.



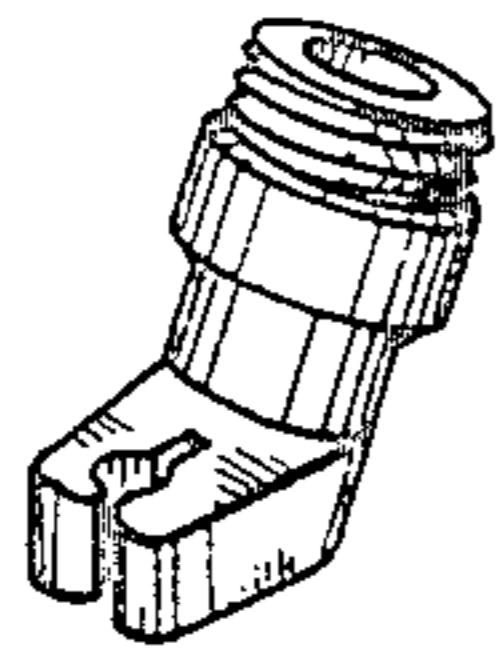


Fig. 1.

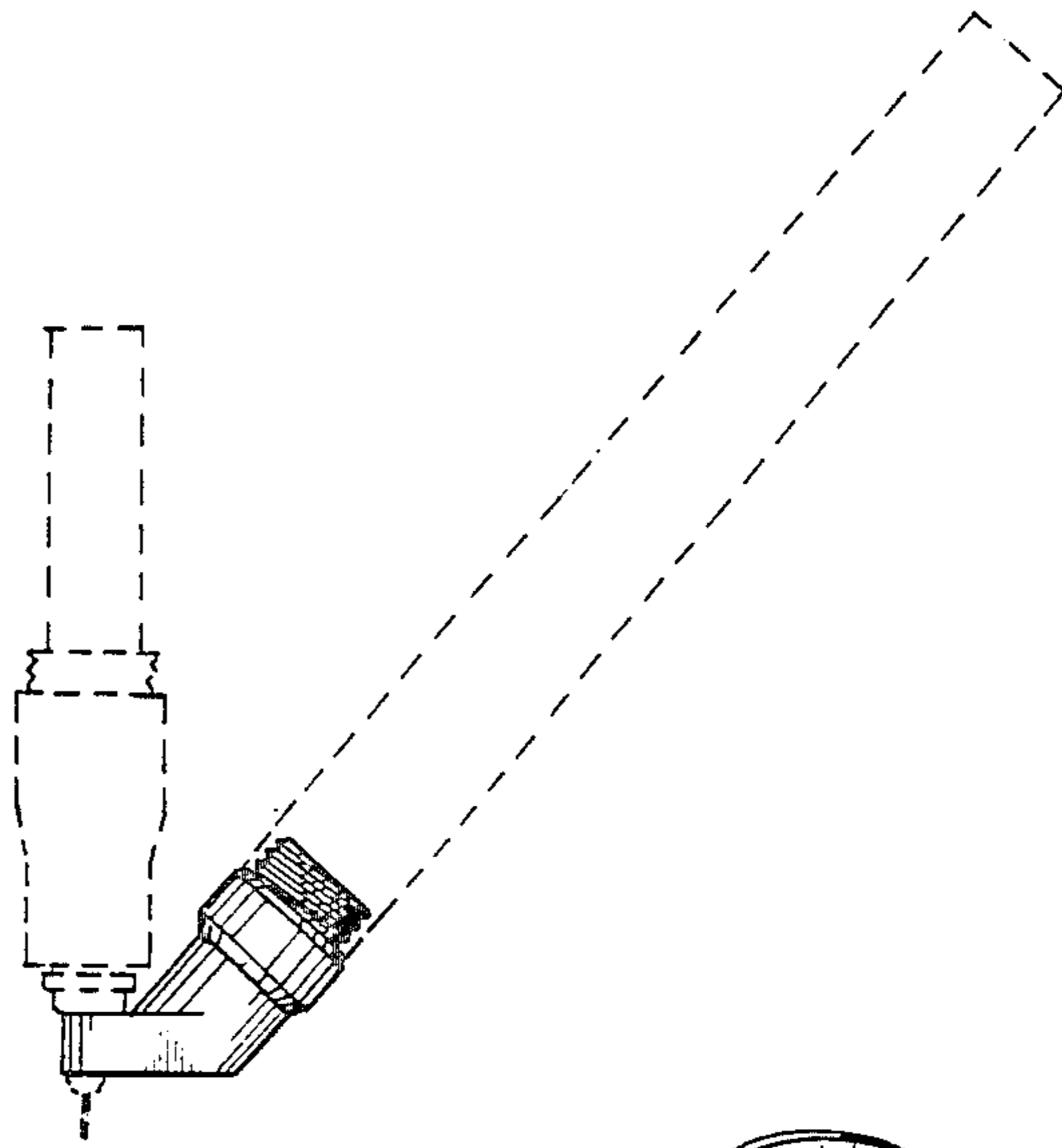


Fig. 2.

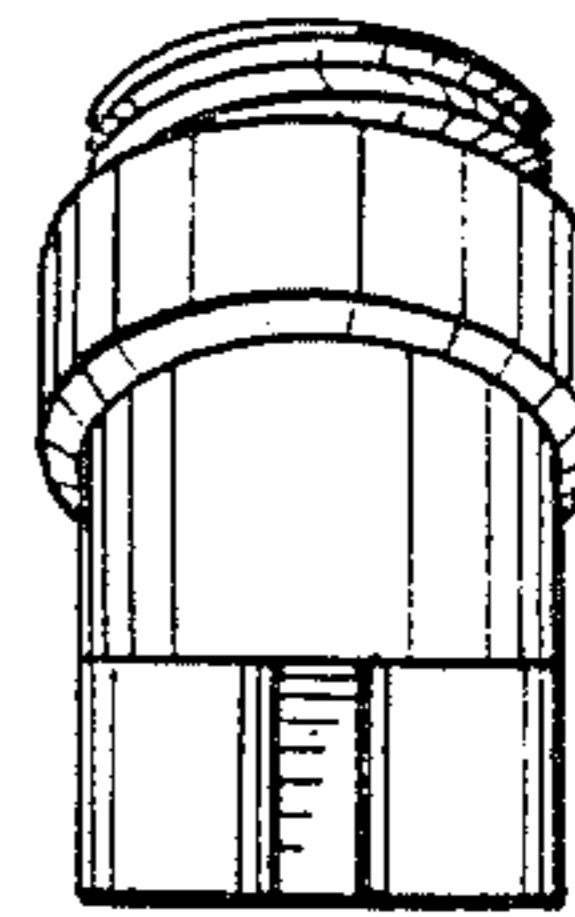


Fig. 5.

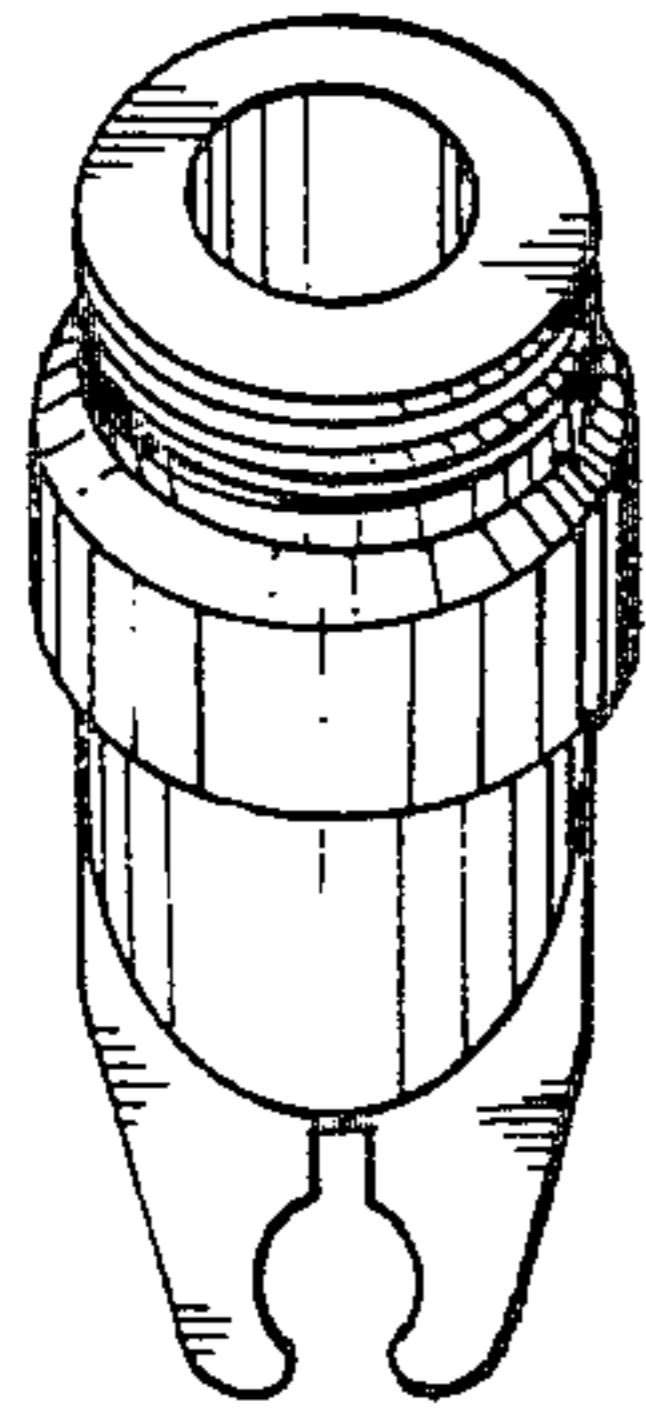


Fig. 3.

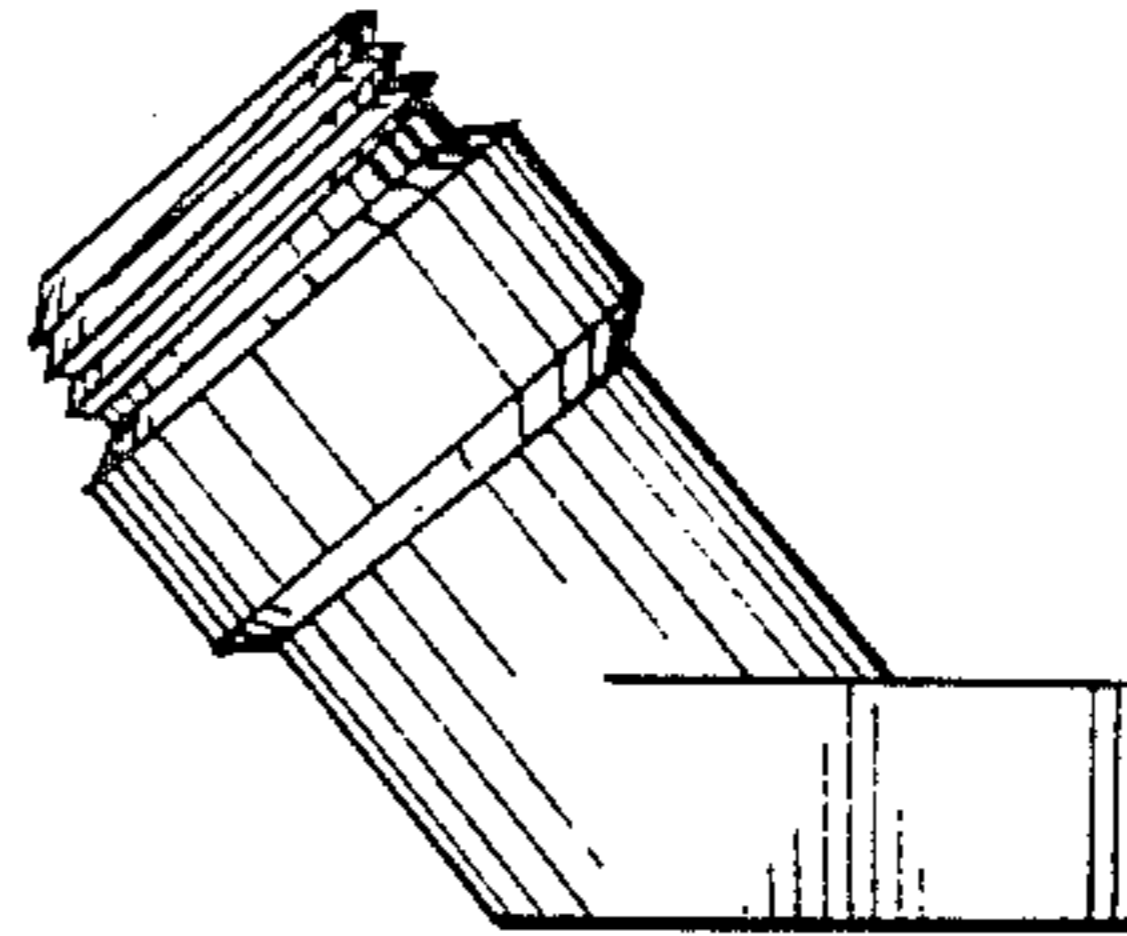


Fig. 4.