

[54] TONER CARTRIDGE FOR COPY MACHINES

[75] Inventor: Peter B. Simons, Los Altos Hills, Calif.

[73] Assignee: TBS Simons, Inc., Mountain View, Calif.

[**] Term: 14 Years

[21] Appl. No.: 595,053

[22] Filed: Mar. 30, 1984

[52] U.S. Cl. D16/32; 355/3 DD; 222/DIG. 1; D9/373

[58] Field of Search D16/27, 32, 33, 37, D16/38; D9/373, 306; 222/DIG. 1; 355/3 DD, 166

[56] References Cited

U.S. PATENT DOCUMENTS

- D. 26,482 1/1897 Lemmermann D9/373
- D. 175,383 8/1955 Bamberger D9/373
- D. 193,739 10/1962 Garrison D9/373
- D. 213,670 4/1969 Waddington D9/373
- D. 257,951 1/1981 Reichl D9/373

- D. 266,095 9/1982 Hara D16/27
- D. 267,097 11/1982 Tacklind D16/32
- D. 267,858 2/1983 Spates D9/373
- D. 270,518 9/1983 Duering D9/373 X

OTHER PUBLICATIONS

IBM Tech. Disclosure Bulletin—vol. 17, #4-9/74—p. 1094—Toner Dispenser.

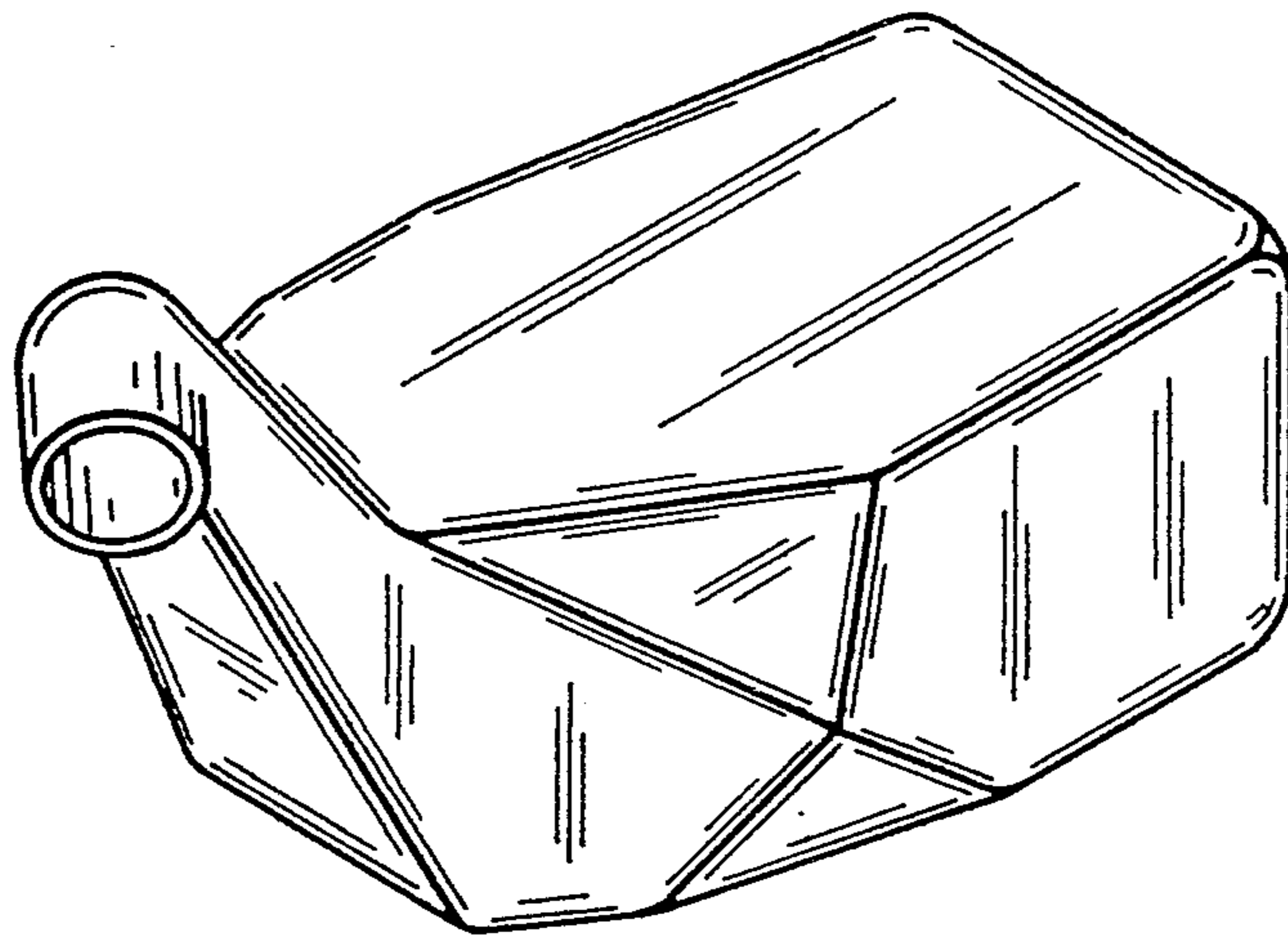
Primary Examiner—Nelson C. Holtje
Attorney, Agent, or Firm—Flehr, Hohbach, Test, Albritton & Herbert

[57] CLAIM

The ornamental design for a toner cartridge for copy machines, as shown.

DESCRIPTION

FIG. 1 is a top and right front isometric view of a toner cartridge for copy machines showing my new design; FIG. 2 is a top plan view thereof; FIG. 3 is a front elevational view thereof; FIG. 4 is a rear elevational view thereof; FIG. 5 is a left end view thereof; FIG. 6 is a right end view thereof; and FIG. 7 is a bottom plan view thereof.



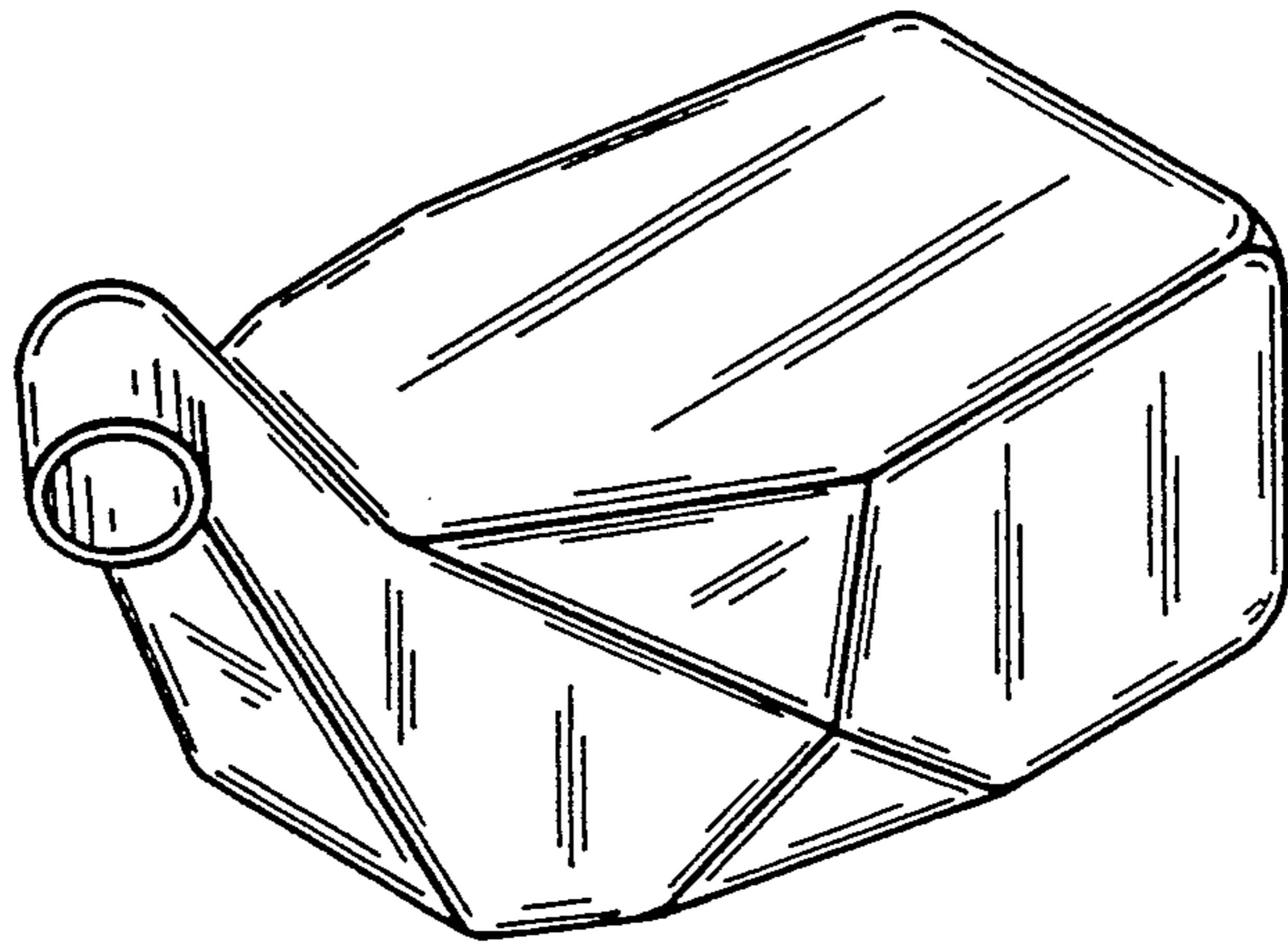
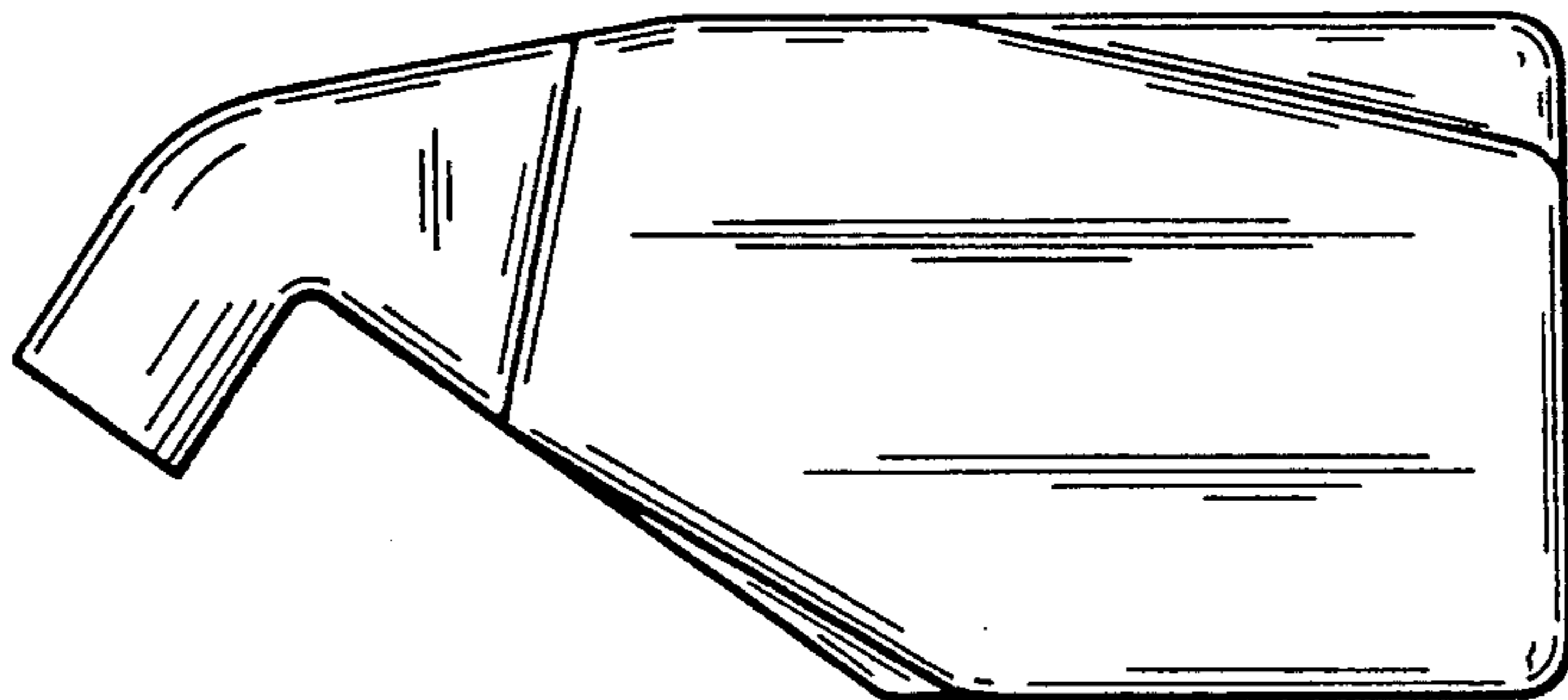
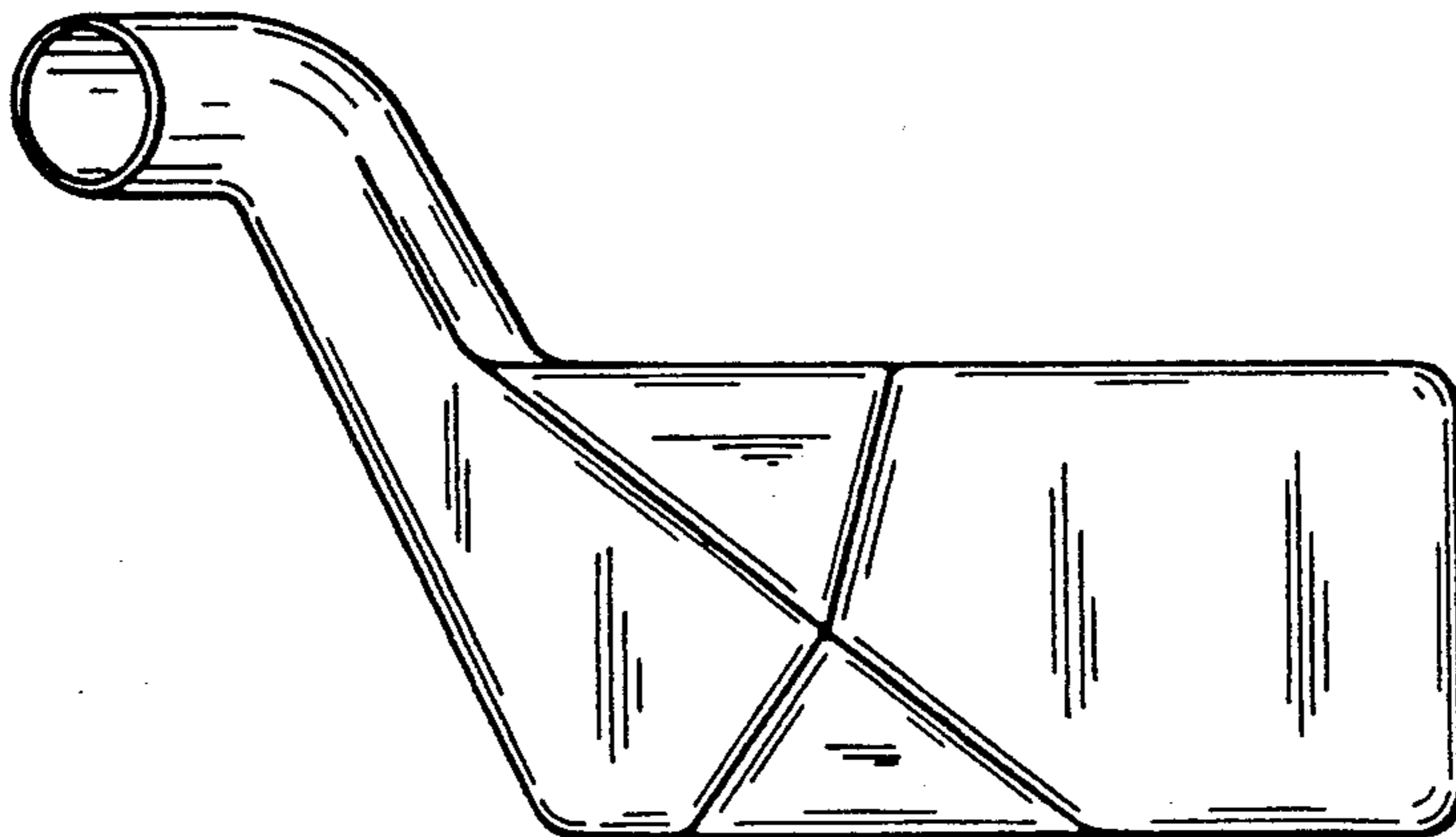


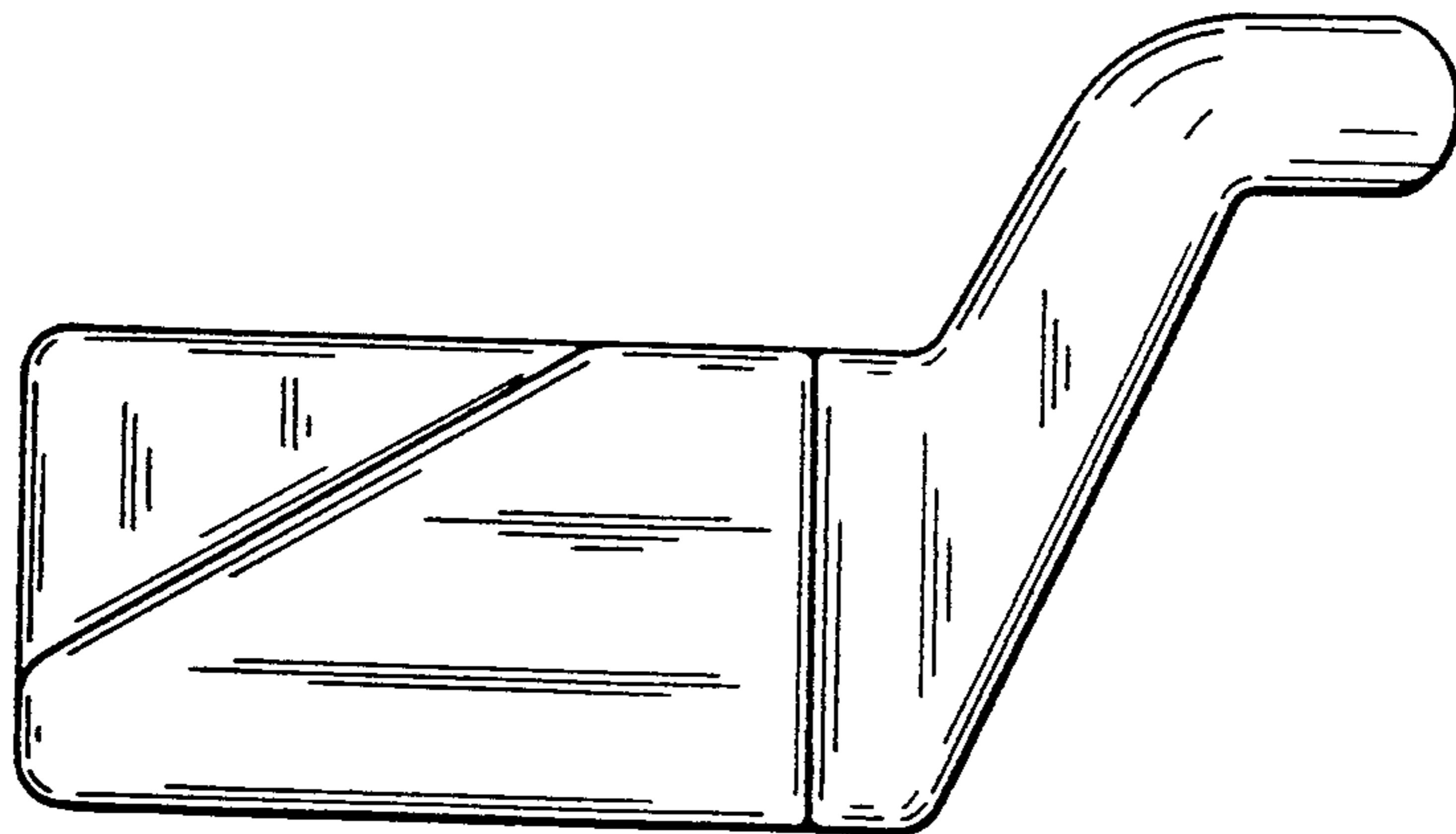
FIG 1



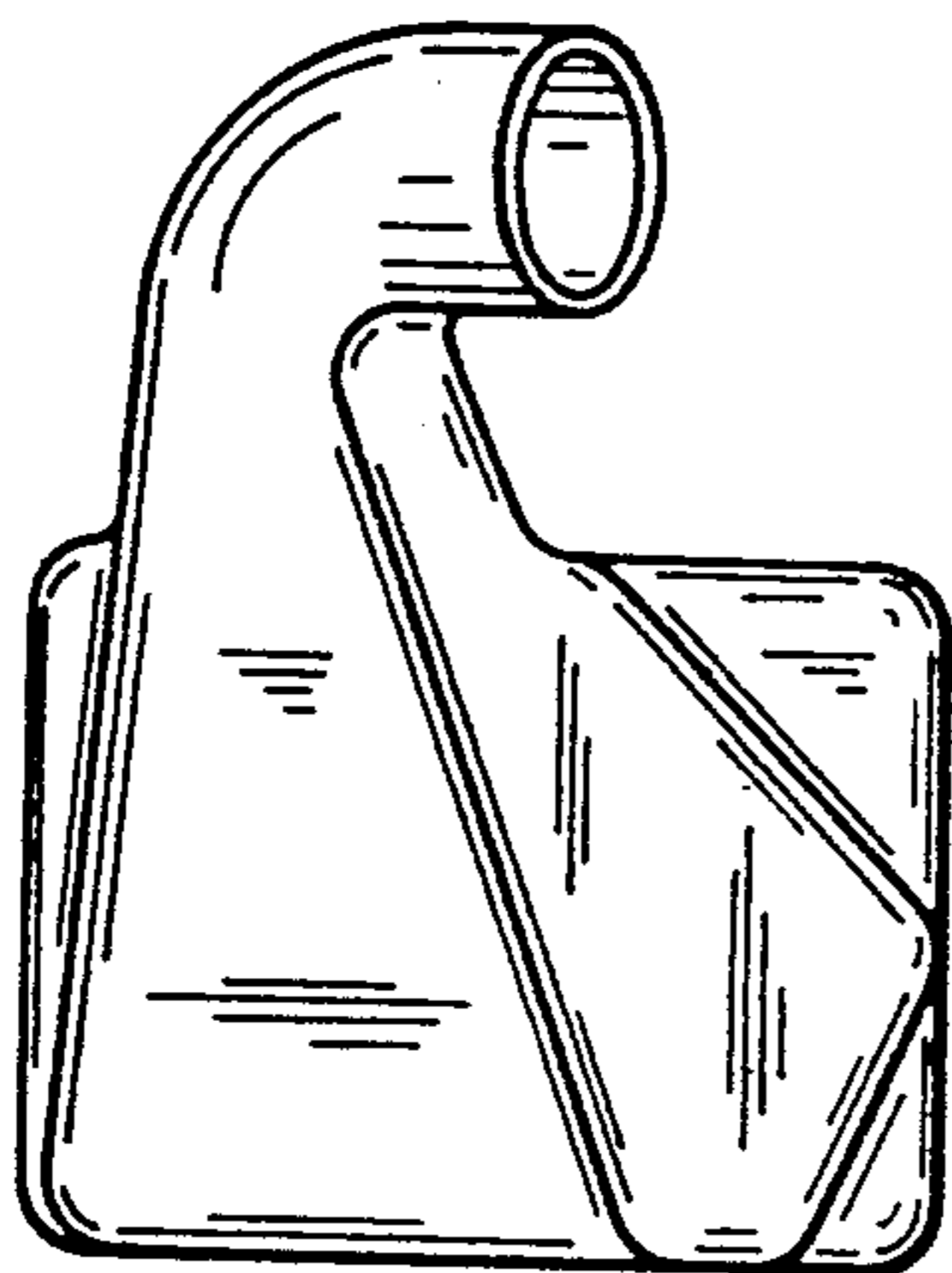
FIG_2



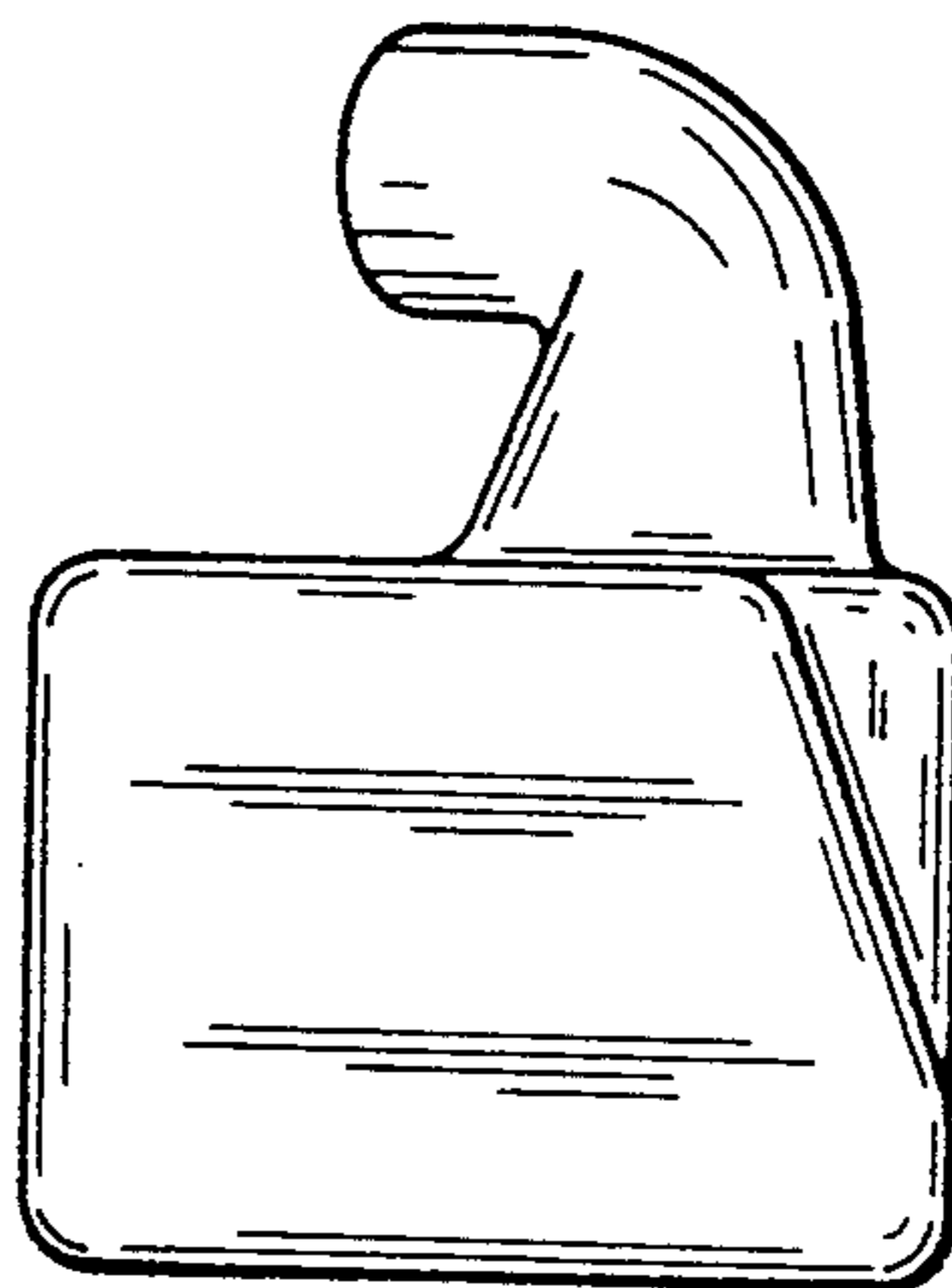
FIG_3



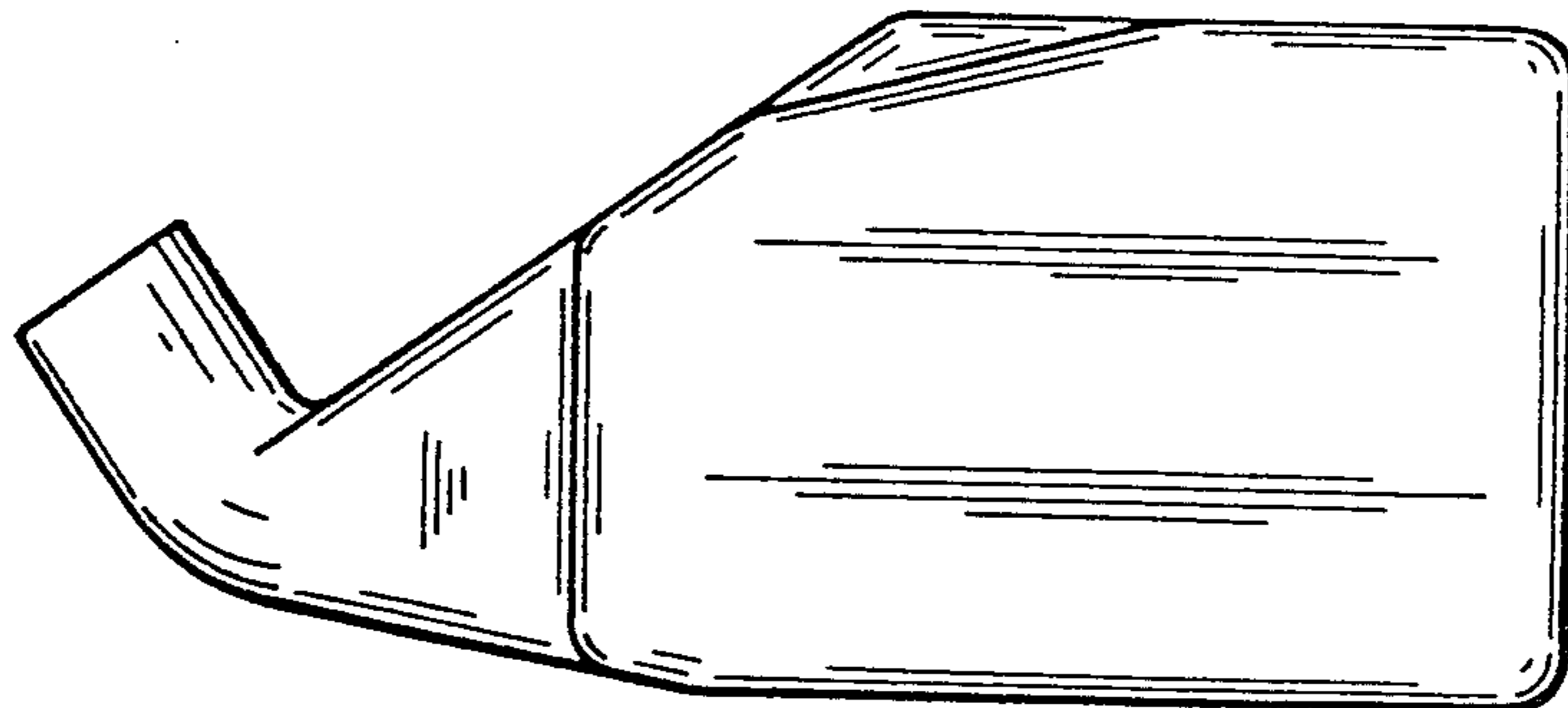
FIG_4



FIG_5



FIG_6



FIG_7