

[54] PARTS MANIPULATOR

4,061,062 12/1977 Peltier 414/728

[75] Inventor: Keith Barrett, Langwarrin, Australia

Primary Examiner—B. J. Bullock

[73] Assignee: Dart Industries Inc., Northbrook, Ill.

Attorney, Agent, or Firm—John A. Doninger; A. Lewis Worthem, Jr.

[**] Term: 14 Years

[57] CLAIM

[21] Appl. No.: 569,129

The ornamental design for a parts manipulator, substantially as is shown.

[22] Filed: Jan. 9, 1984

[52] U.S. Cl. D15/199; D15/122

[58] Field of Search D15/122-199; 414/728

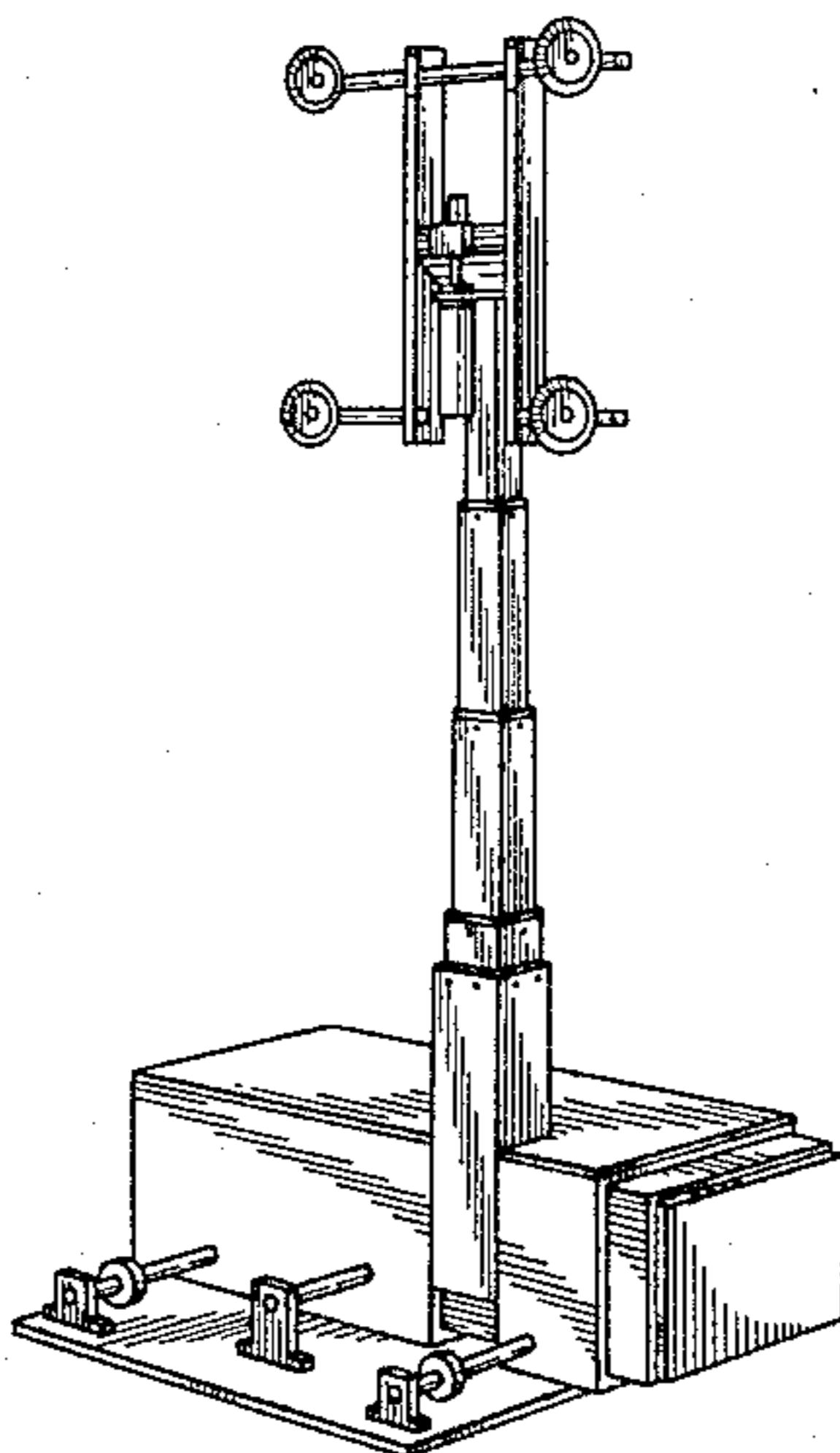
DESCRIPTION

[56] References Cited

U.S. PATENT DOCUMENTS

3,318,465	5/1967	Fisher	414/728
3,765,291	10/1973	Stenfeldt	414/728
3,884,365	5/1975	Thomson	414/728

FIG. 1 is a front and right side perspective view of a parts manipulator showing my new design; FIG. 2 is a front view thereof; FIG. 3 is a right side view thereof; FIG. 4 is a rear view thereof; FIG. 5 is a left side view thereof; FIG. 6 is a top view thereof; and FIG. 7 is a bottom view thereof.



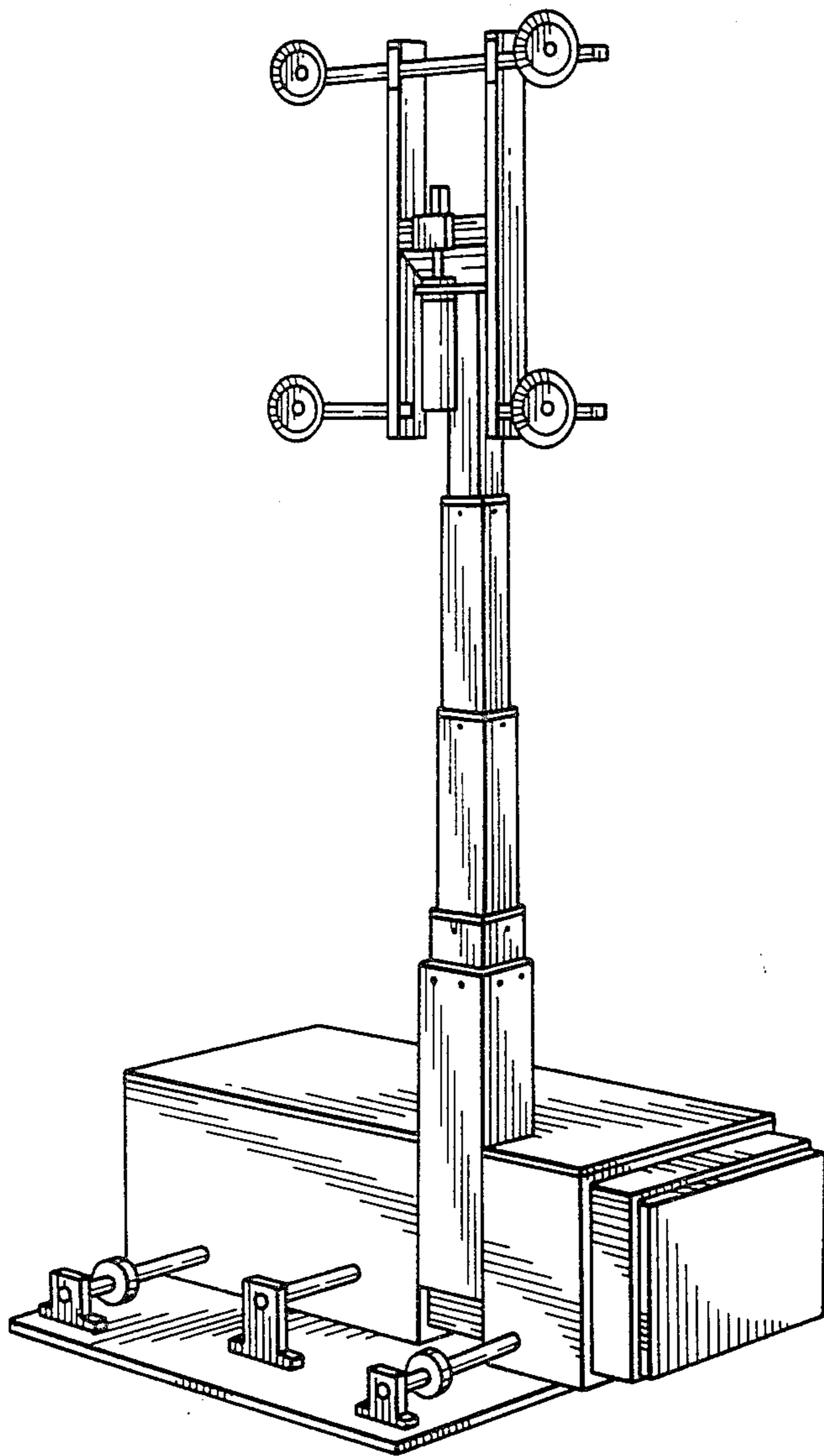


FIG. 1

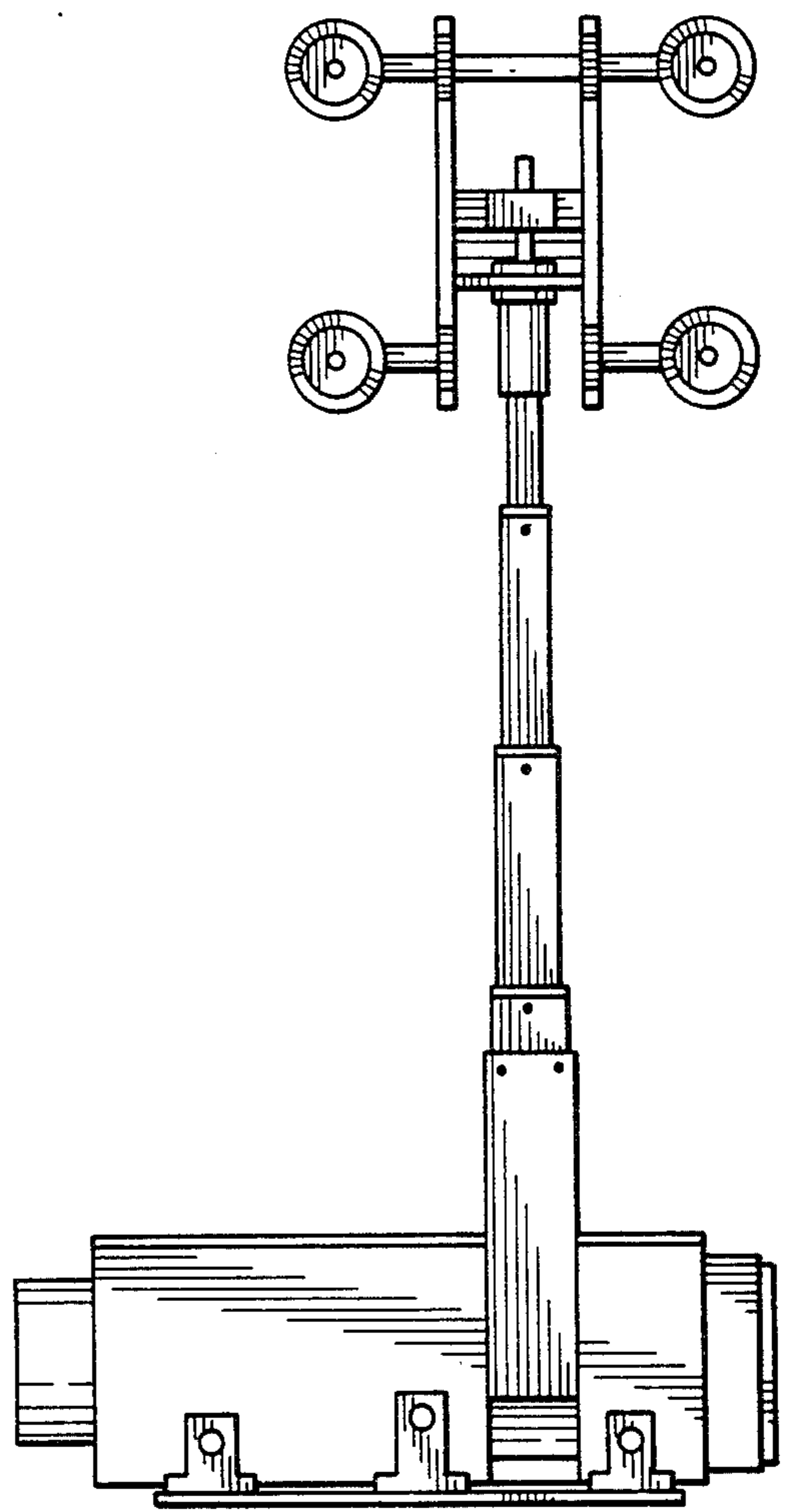


FIG. 2

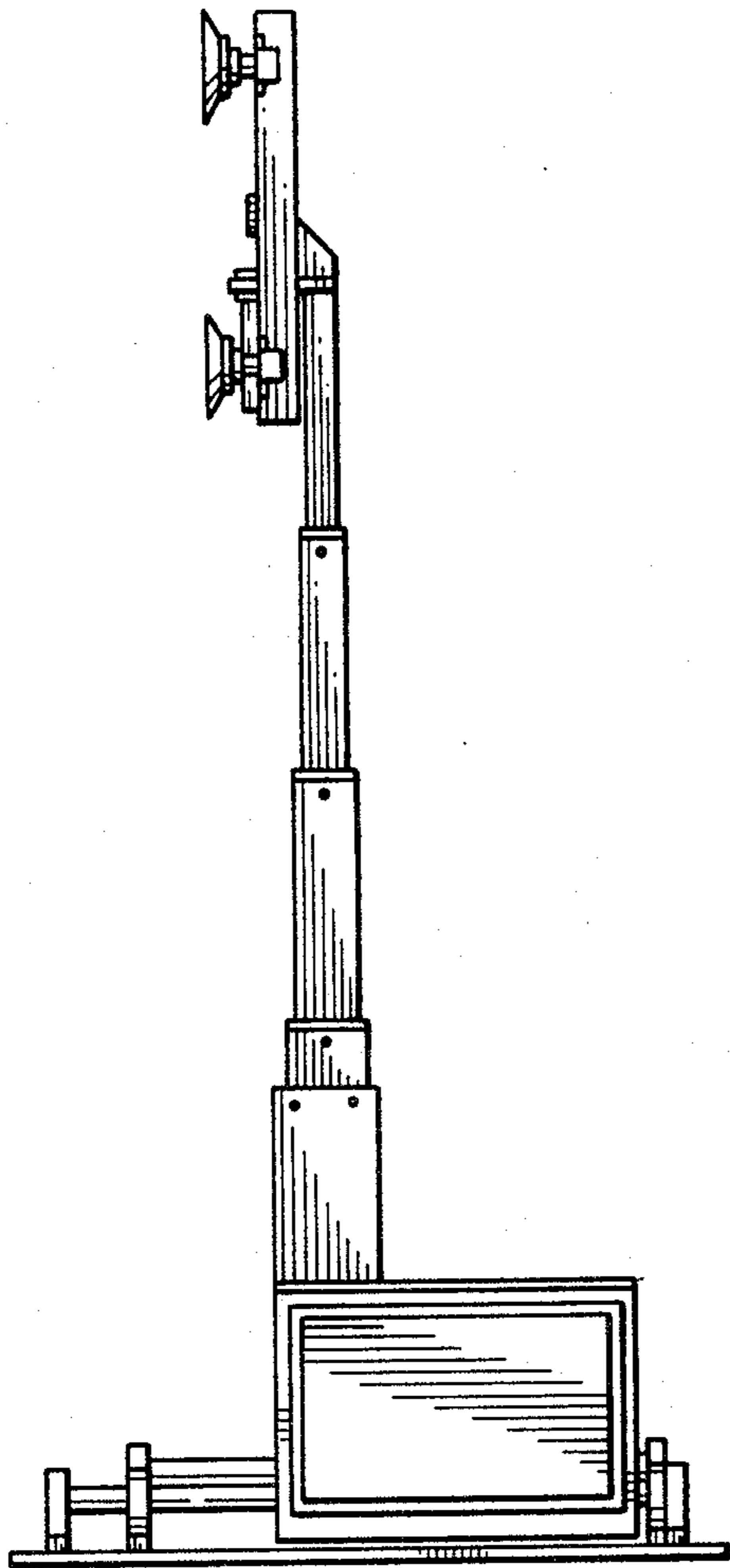


FIG. 3

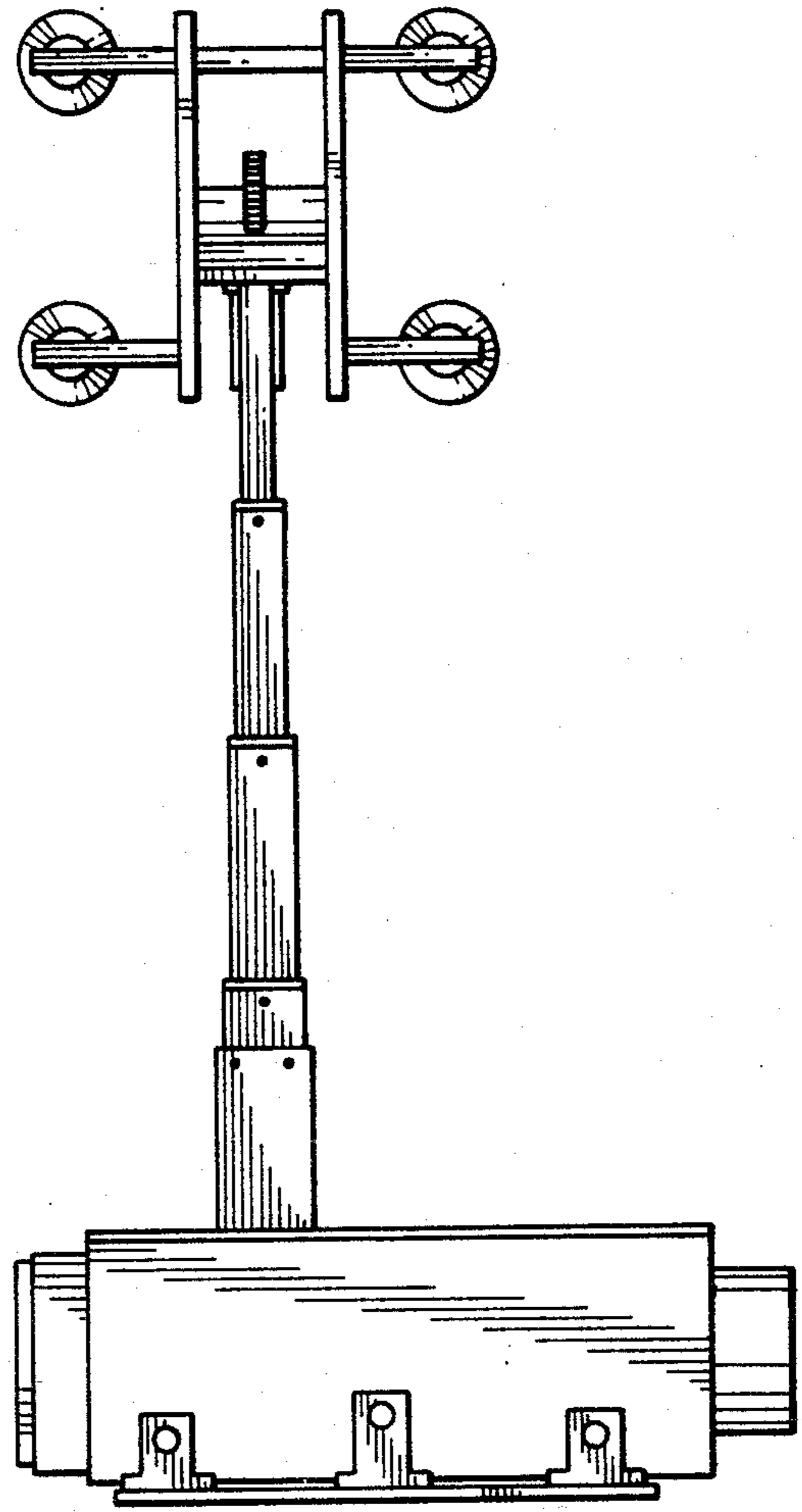


FIG. 4

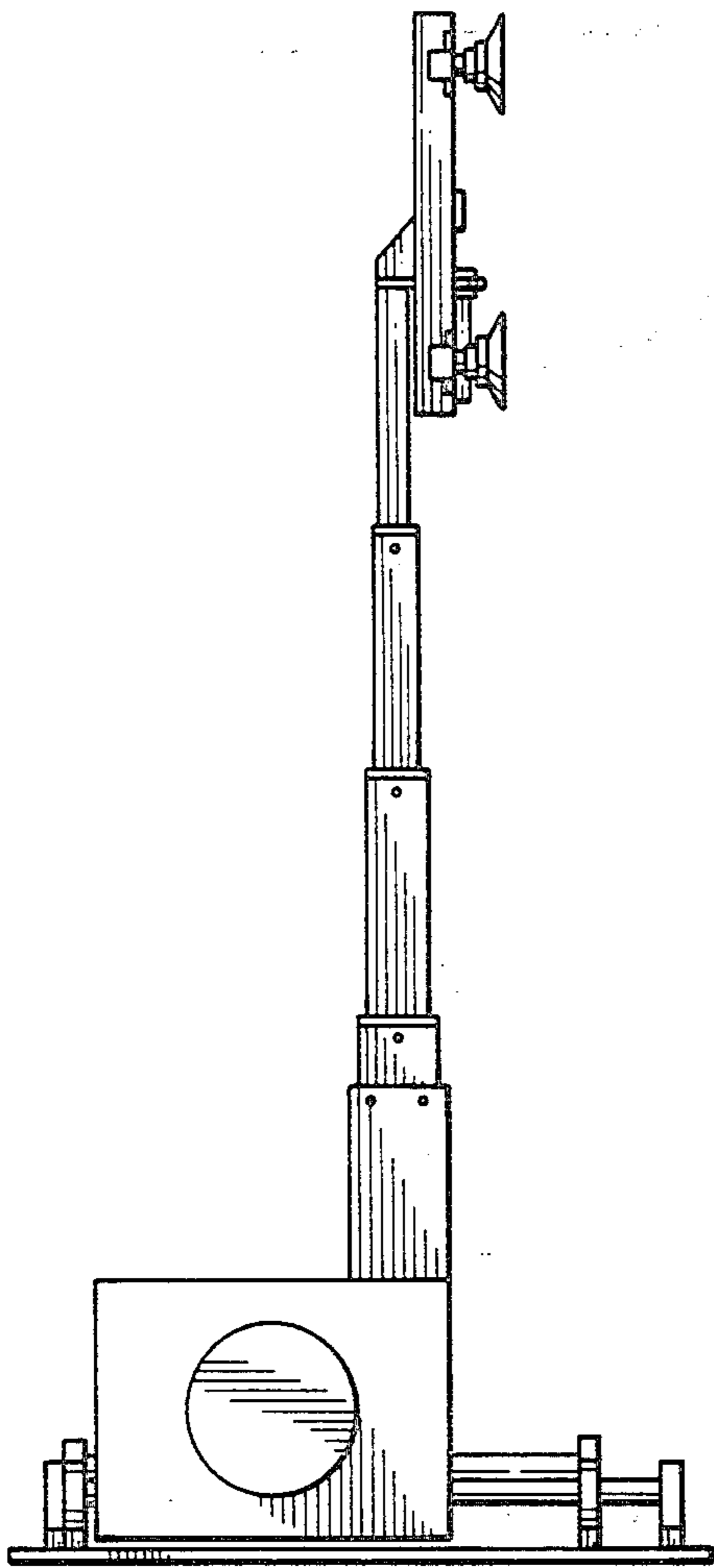


FIG. 5

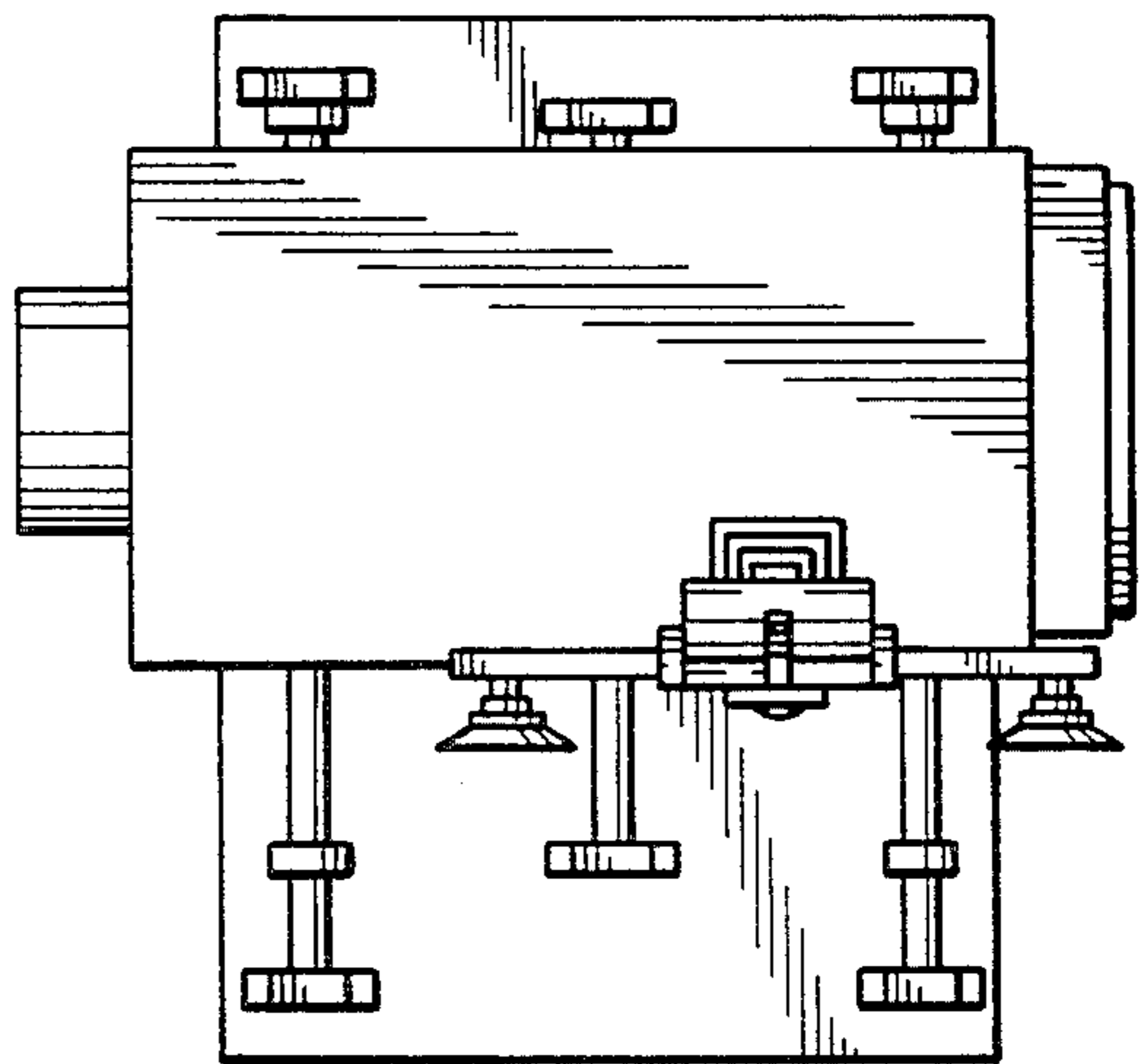


FIG. 6

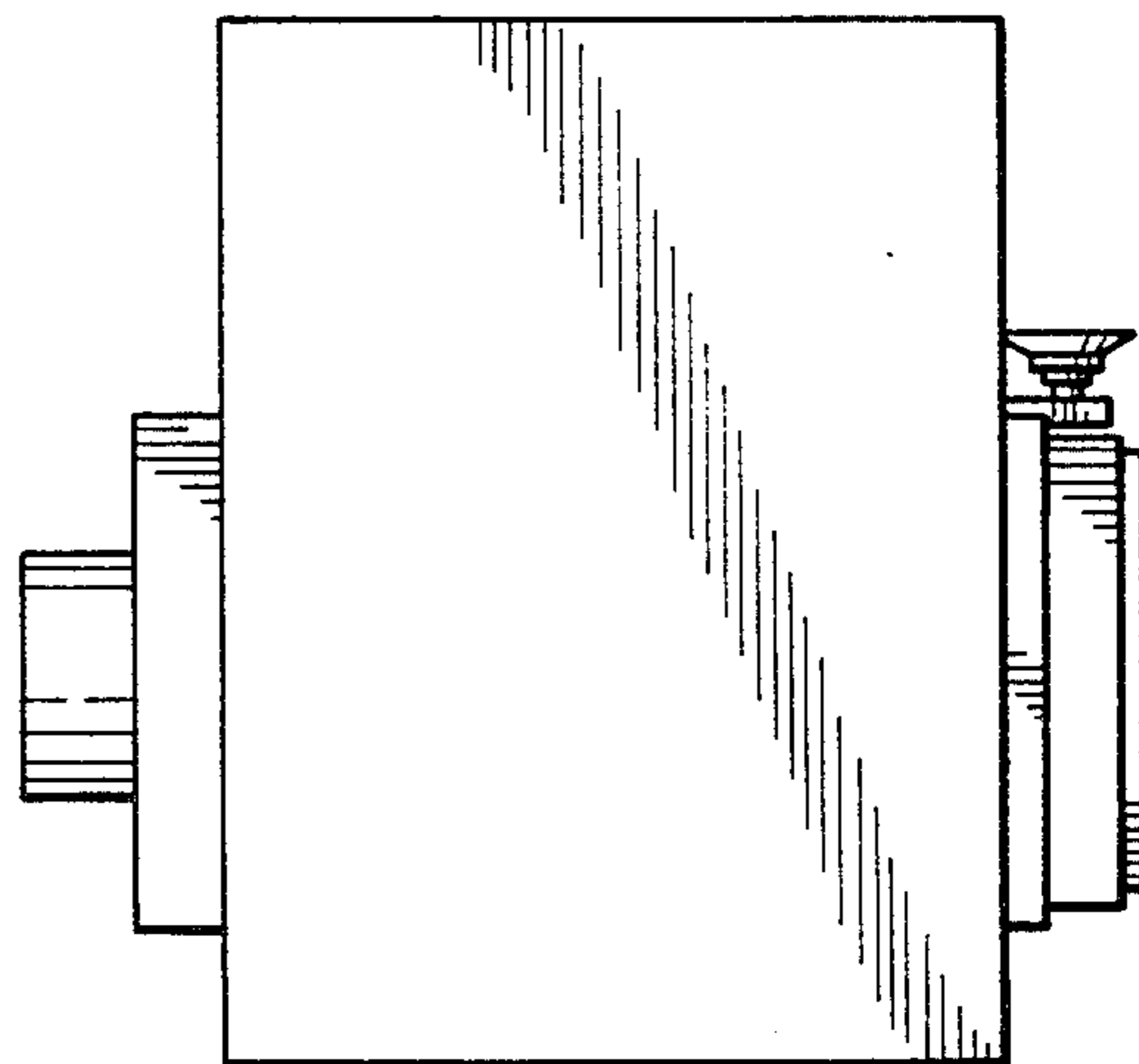


FIG. 7