

[54] SURROUND CONCRETE PANEL MOLD

[76] Inventor: Samuel C. Scott, 4575 Joliet St., Denver, Colo. 80239

[**] Term: 14 Years

[21] Appl. No.: 588,448

[22] Filed: Mar. 12, 1984

[52] U.S. Cl. D15/136; D25/80; D25/91

[58] Field of Search 249/2, 13, 18, 22, 85, 249/98, 99, 161, 187 R, 192, 44, 50, 20, 21, 25, 33, 35, 101; D15/136; D25/91, 80

[56] References Cited

U.S. PATENT DOCUMENTS

1,705,201	3/1929	Nagel	D15/136	X
2,539,917	1/1951	McKinley	249/98	X
2,591,607	4/1952	Rich	249/101	

2,908,063	10/1959	Jones et al.	249/98	X
3,023,476	3/1962	Wise	249/99	X
4,159,100	6/1979	Landowski	249/99	

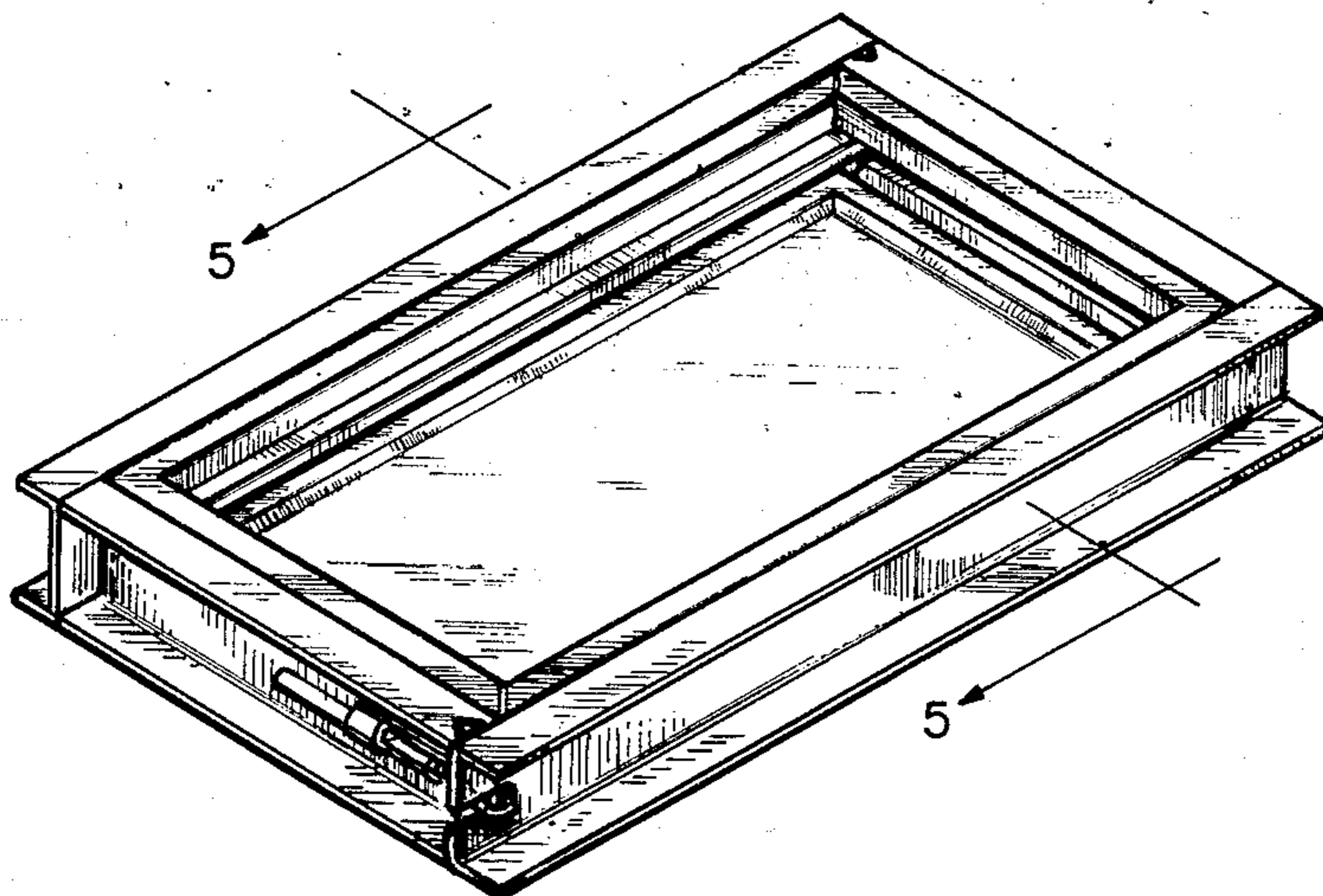
Primary Examiner—A. Hugo Word
Attorney, Agent, or Firm—James E. Pittenger

[57] CLAIM

The ornamental design for a surround concrete panel mold, as shown and described.

DESCRIPTION

FIG. 1 is a perspective view of the surround concrete panel mold according to this invention;
FIG. 2 is a top plan view;
FIG. 3 is a side elevational view;
FIG. 4 is a bottom view of the surround mold according to the present invention; and
FIG. 5 is a cross-sectional view taken along the lines 5—5 of FIG. 1 showing the interior side configuration facing the center cavity.



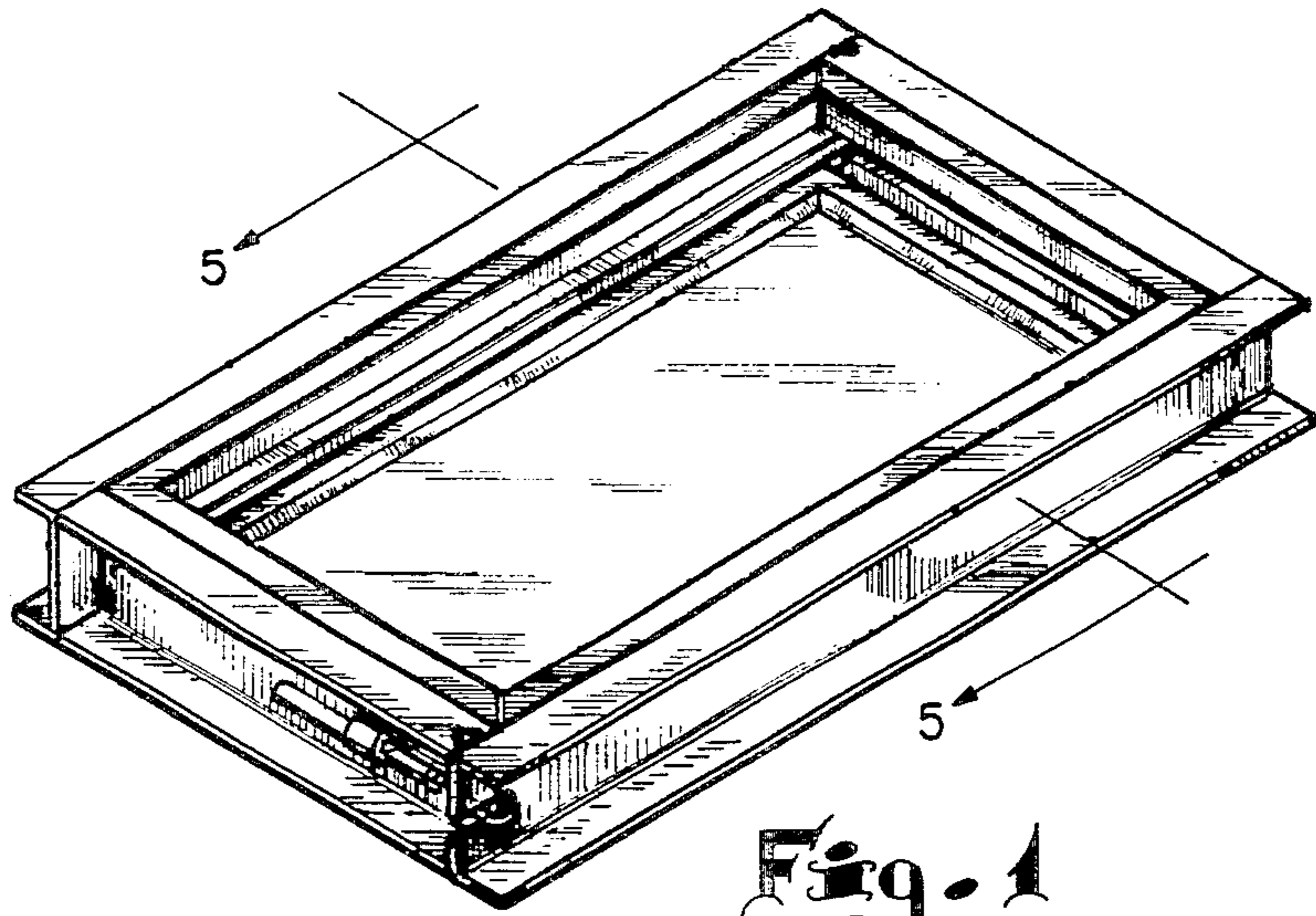


Fig. 1

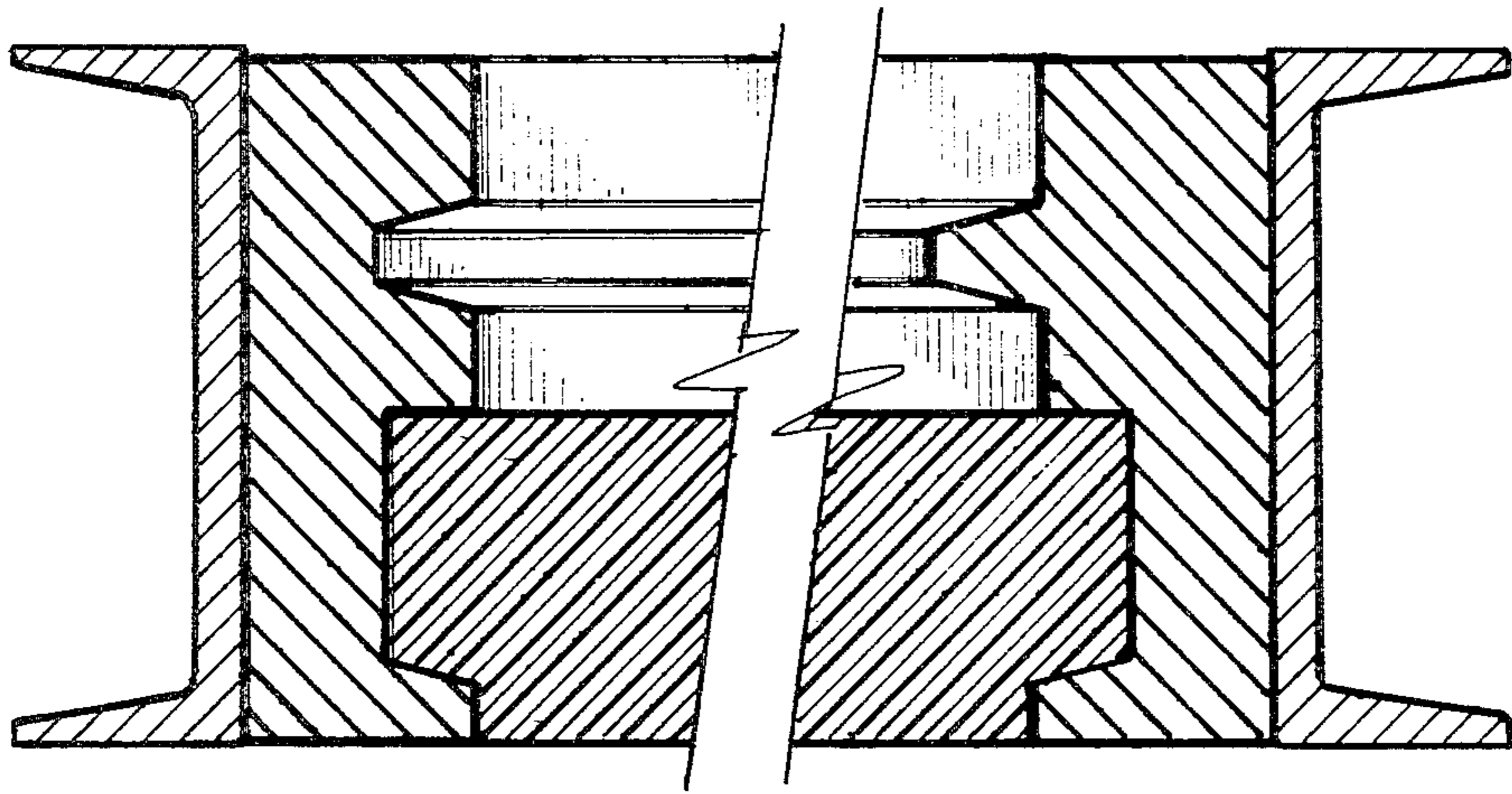


Fig. 5

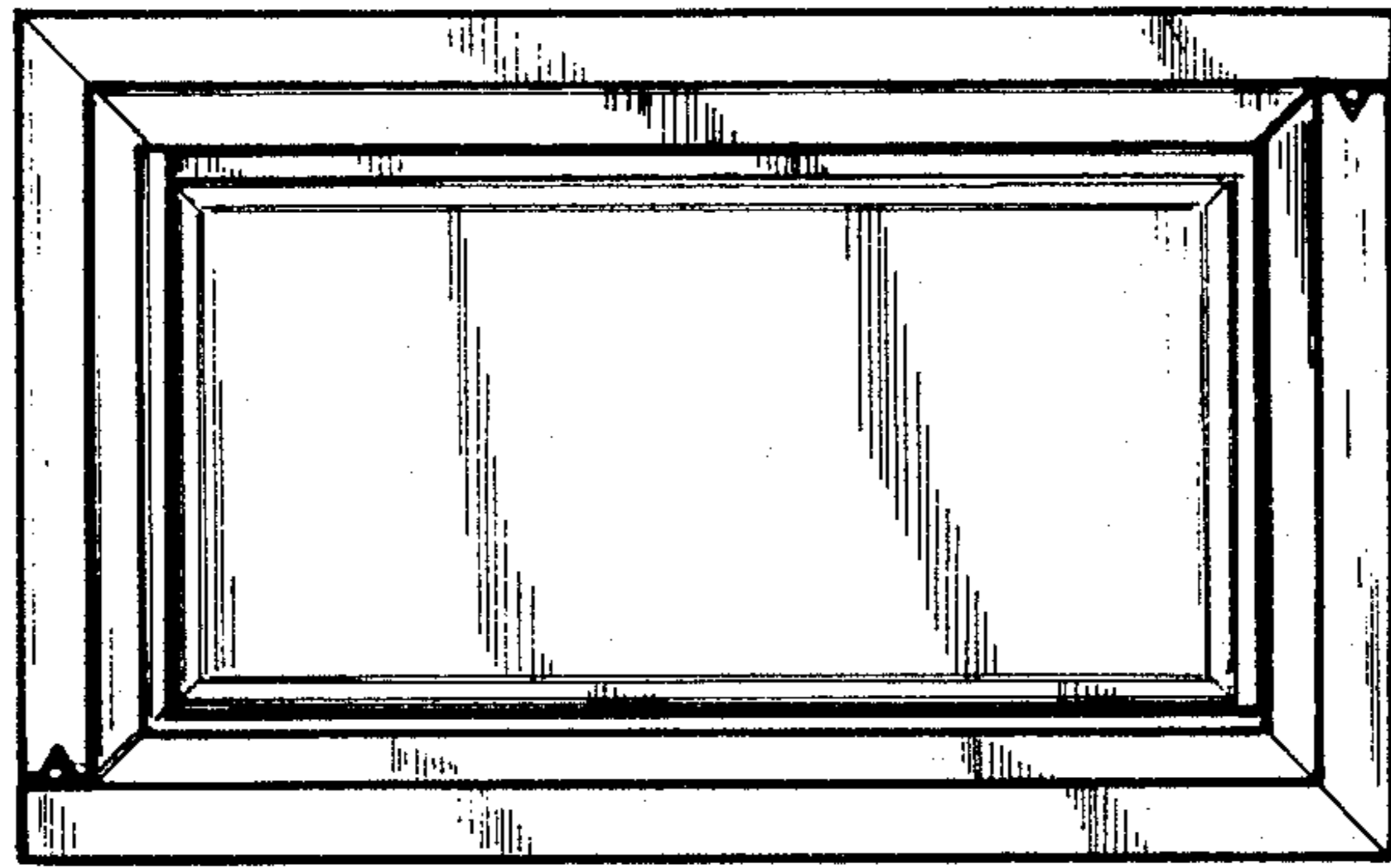


Fig. 2

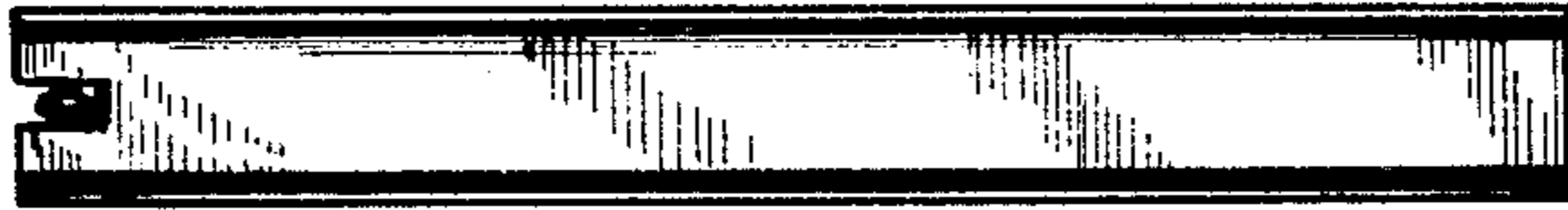


Fig. 3

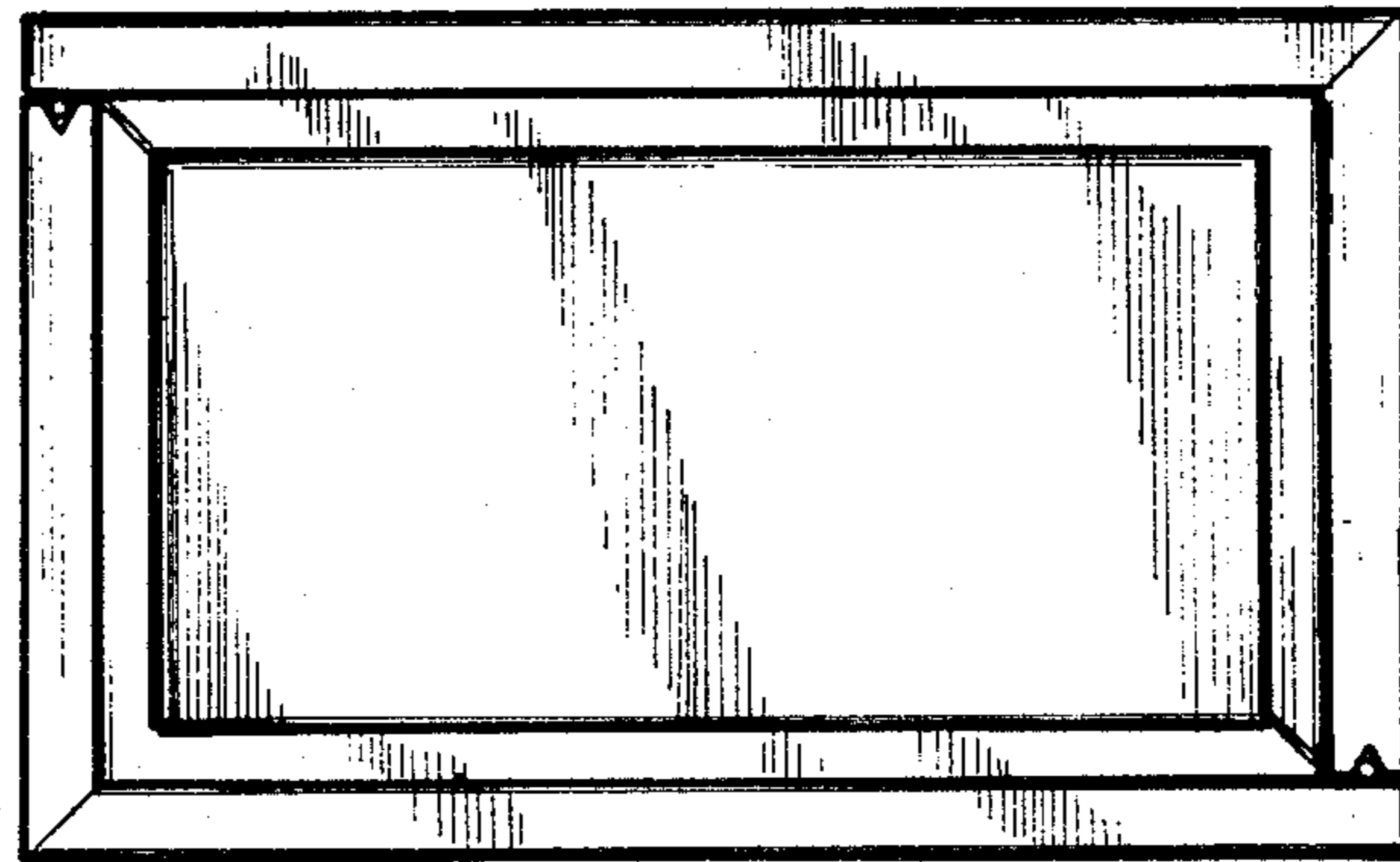


Fig. 4