

[54] APPARATUS FOR CRIMPING A FERRULE ON A HOSE

[75] Inventors: Robert H. Proctor, Cockeysville; Robert G. Cooper, Maryland Line, both of Md.

[73] Assignee: Murray Corporation, Cockeysville, Md.

[\*\*] Term: 14 Years

[21] Appl. No.: 681,797

[22] Filed: Dec. 14, 1984

[52] U.S. Cl. .... D15/123

[58] Field of Search ..... D15/123; 29/237, 283.5; 72/413

[56] References Cited

U.S. PATENT DOCUMENTS

D. 280,201 8/1985 Moreiras et al. .... D15/123

3,373,474	3/1968	Doerer .....	29/237
3,750,452	8/1973	Frank .....	29/237
3,785,050	1/1974	Whitledge et al. ....	29/237
4,244,091	1/1981	Kimble et al. ....	29/237
4,527,414	7/1985	Jurkovic et al. ....	29/237

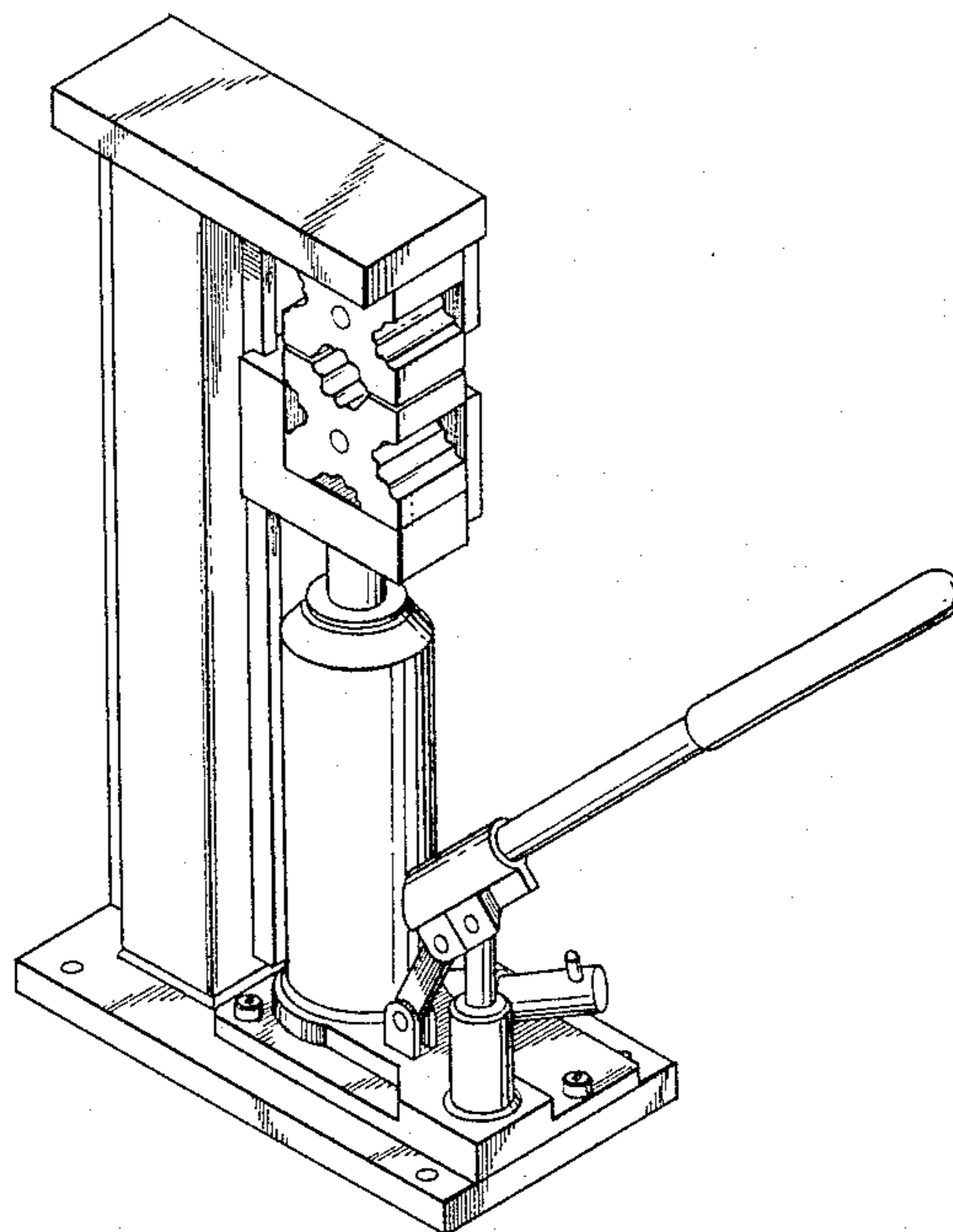
Primary Examiner—B. J. Bullock  
Attorney, Agent, or Firm—Irvin A. Lavine

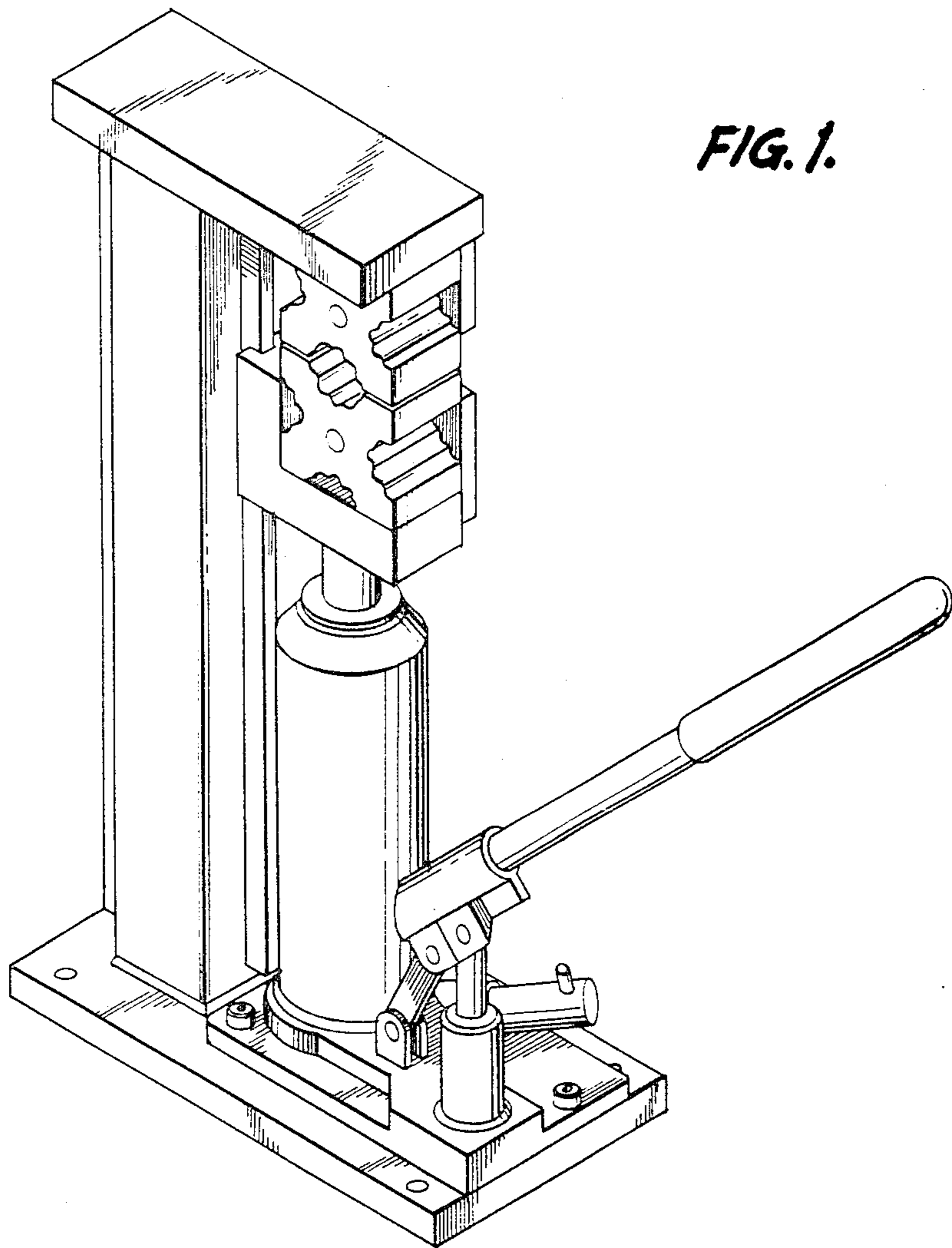
[57] CLAIM

The ornamental design for an apparatus for crimping a ferrule on a hose, substantially as shown.

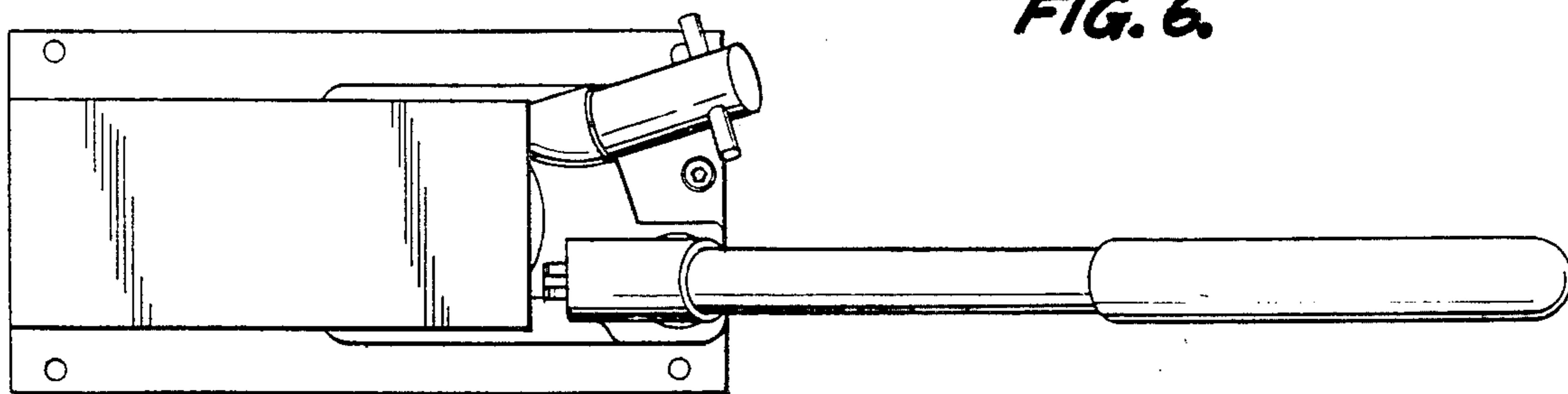
DESCRIPTION

FIG. 1 is a perspective view of an apparatus for crimping a ferrule on a hose showing my new design; FIG. 2 is a left side elevational view thereof; FIG. 3 is a front end elevational view thereof; FIG. 4 is a rear end elevational view thereof; FIG. 5 is a right side elevational view thereof; FIG. 6 is a top plan view thereof, the bottom being unornamented.



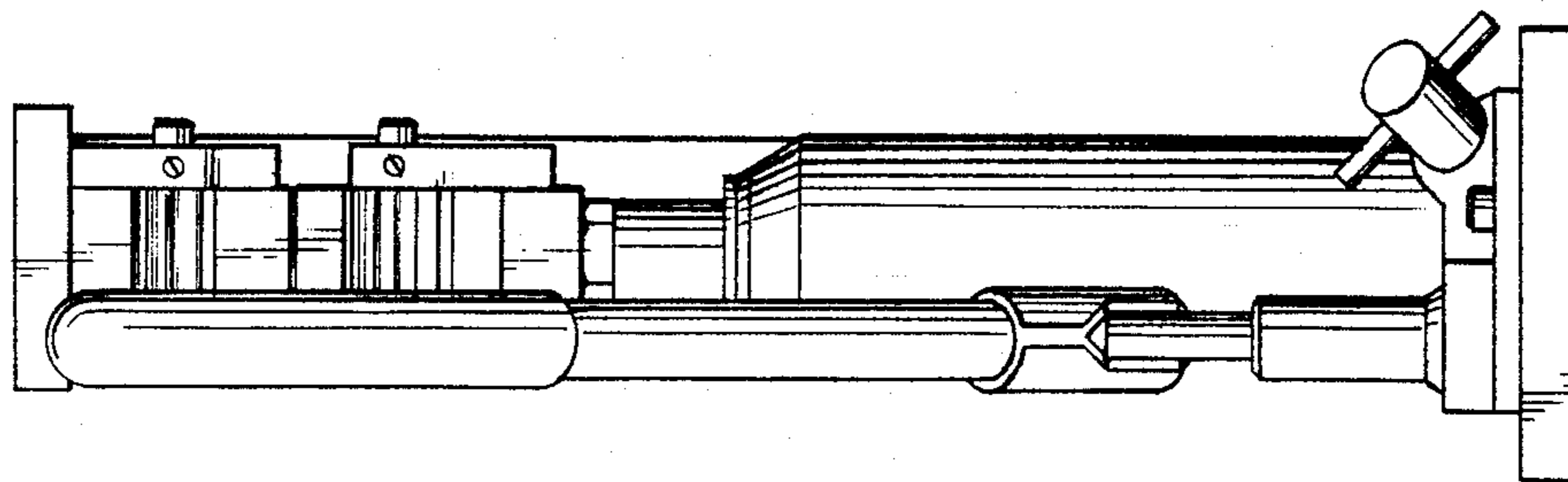


*FIG. 1.*



*FIG. 6.*

*FIG. 3.*



*FIG. 2.*

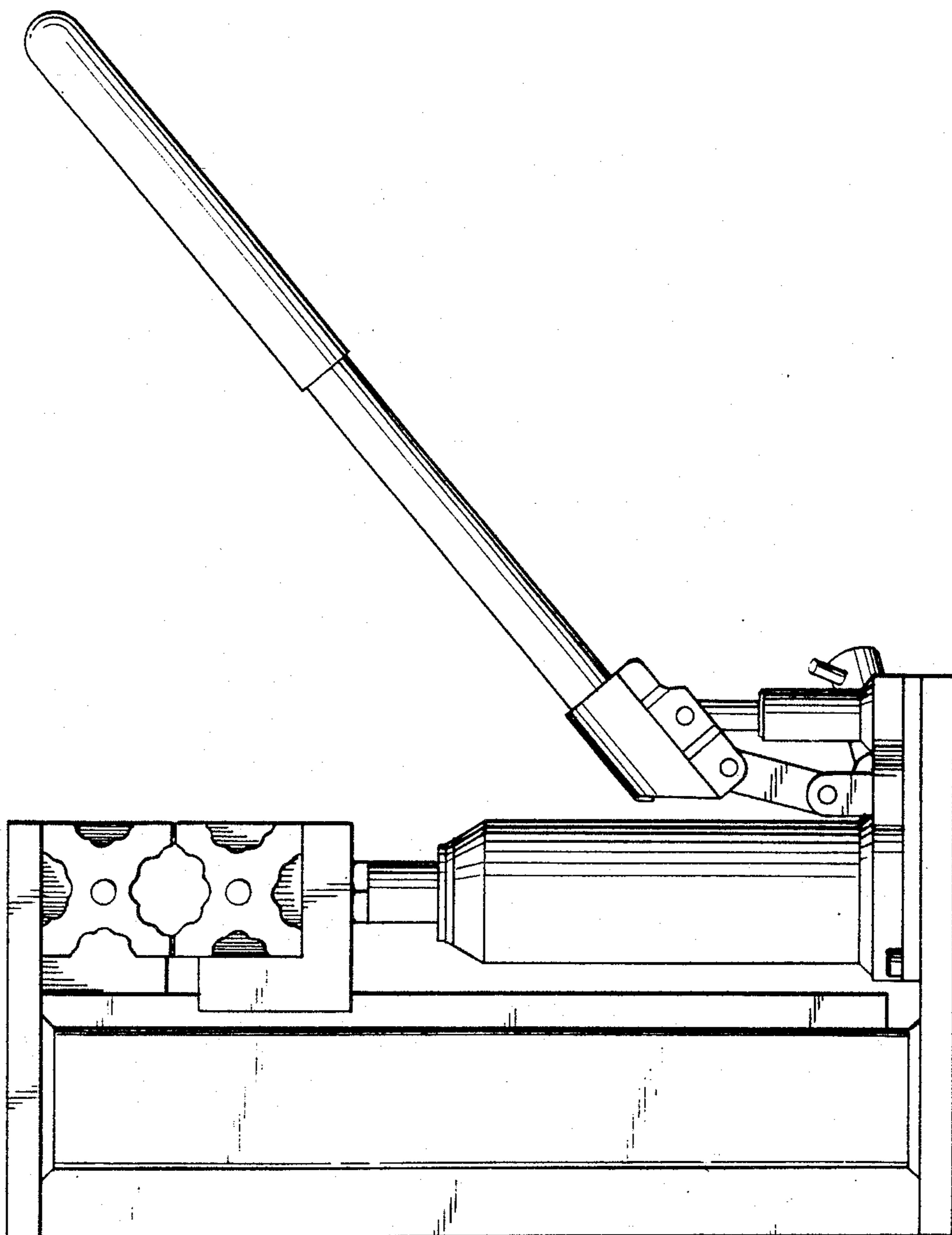


FIG. 5.

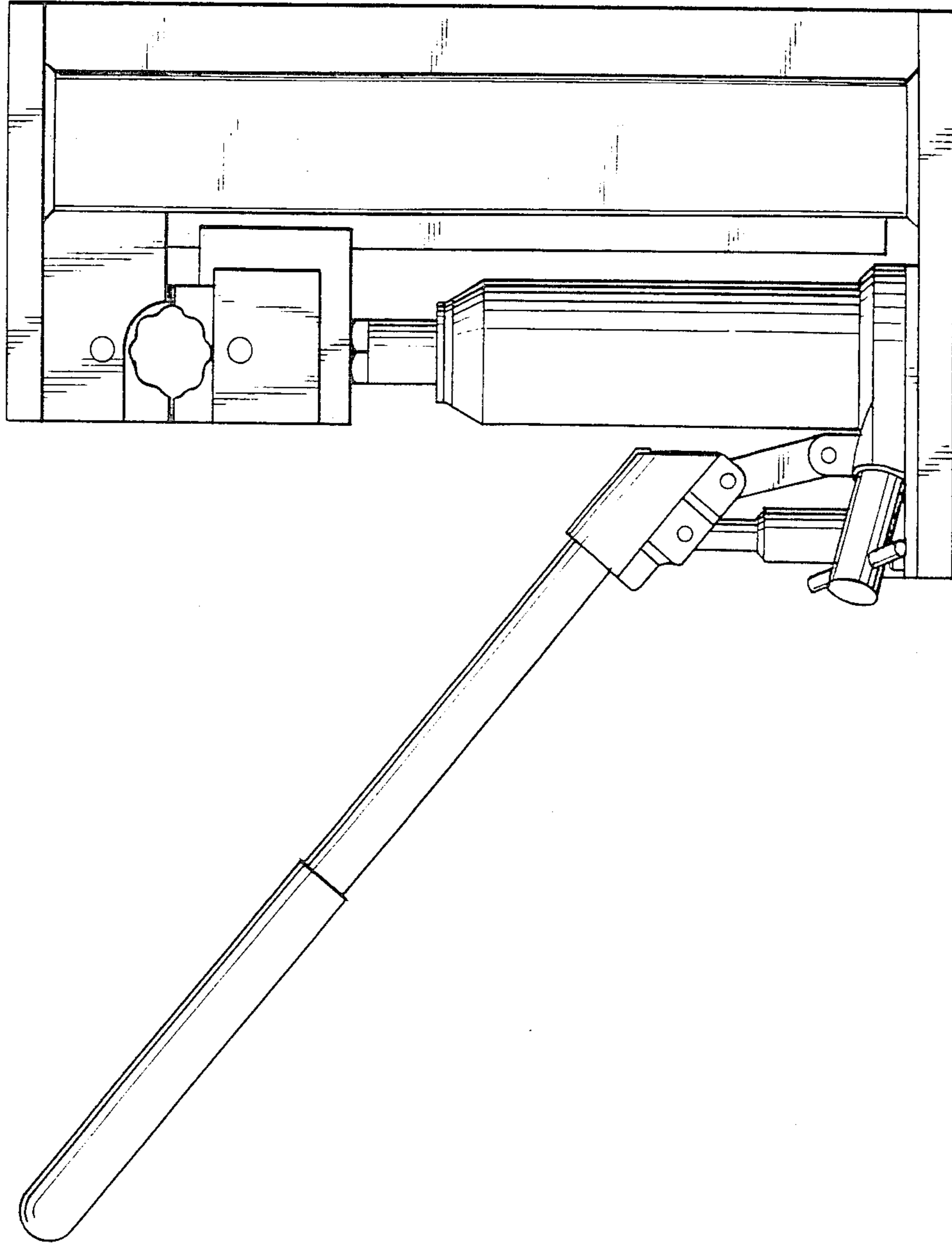


FIG. 4.

