

[54] MICROWAVE SWITCH HOUSING

[76] Inventor: Victor H. Nelson, 10 Redwood Dr., Dix Hills, N.Y. 11746

[\*\*] Term: 14 Years

[21] Appl. No.: 608,953

[22] Filed: May 10, 1984

[52] U.S. Cl. .... D13/32

[58] Field of Search ..... D13/11-13, D13/32-41, 99; 174/50, 65 R; 219/10.55 R, 10.55 B, 10.75; 361/189-190, 392-394, 333, 347, 356-357; 200/293-294, 297, 303; D7/351

[56] References Cited

U.S. PATENT DOCUMENTS

- D. 274,144 6/1984 Bienwald et al. .... D13/32
- D. 278,141 3/1985 Steidel ..... D13/32

OTHER PUBLICATIONS

Transco Products, Inc., Sep. 1982, Transactor Actuator, p. 78.

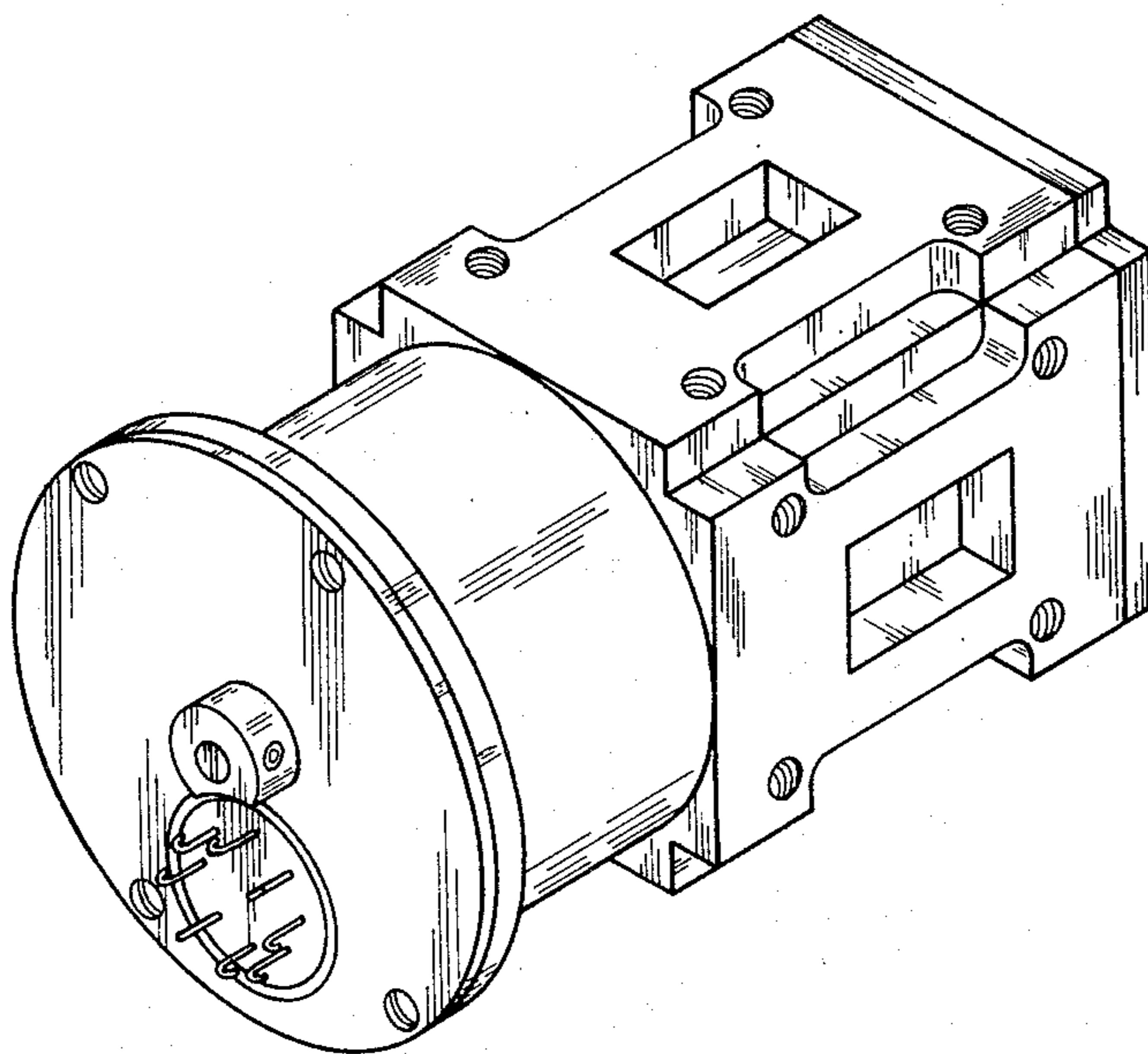
Primary Examiner—Wallace R. Burke  
Assistant Examiner—Ruth E. Takemoto  
Attorney, Agent, or Firm—Edward H. Loveman

[57] CLAIM

The ornamental design for a microwave switch housing, as shown and described.

DESCRIPTION

FIG. 1 is a perspective view of a microwave switch housing, showing my new design; FIG. 2 is a front elevational view thereof, the rear view being a mirror image; FIG. 3 is a left side elevational view thereof; and FIG. 4 is a right side elevational view thereof.



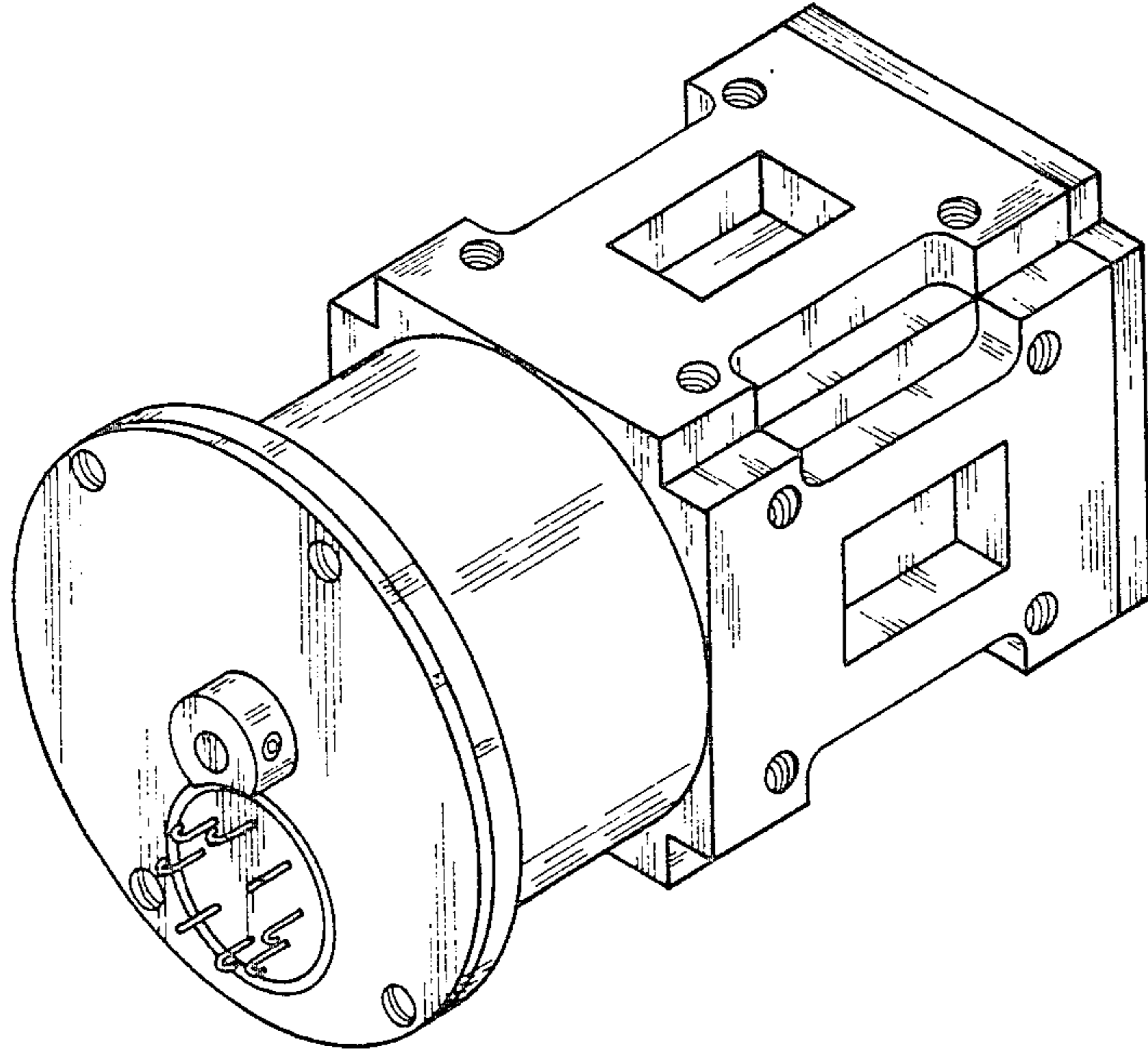


FIG. 1

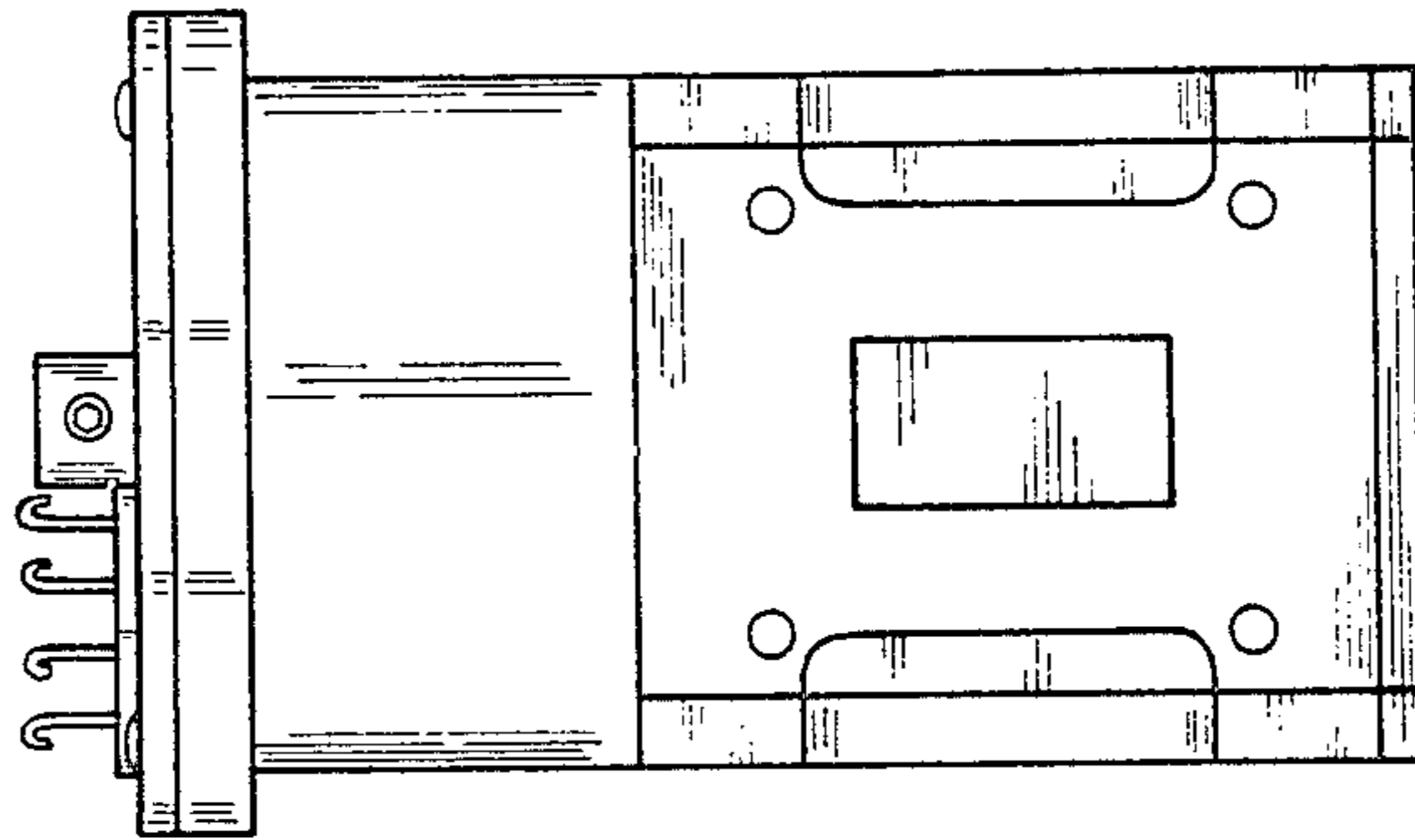


FIG. 2

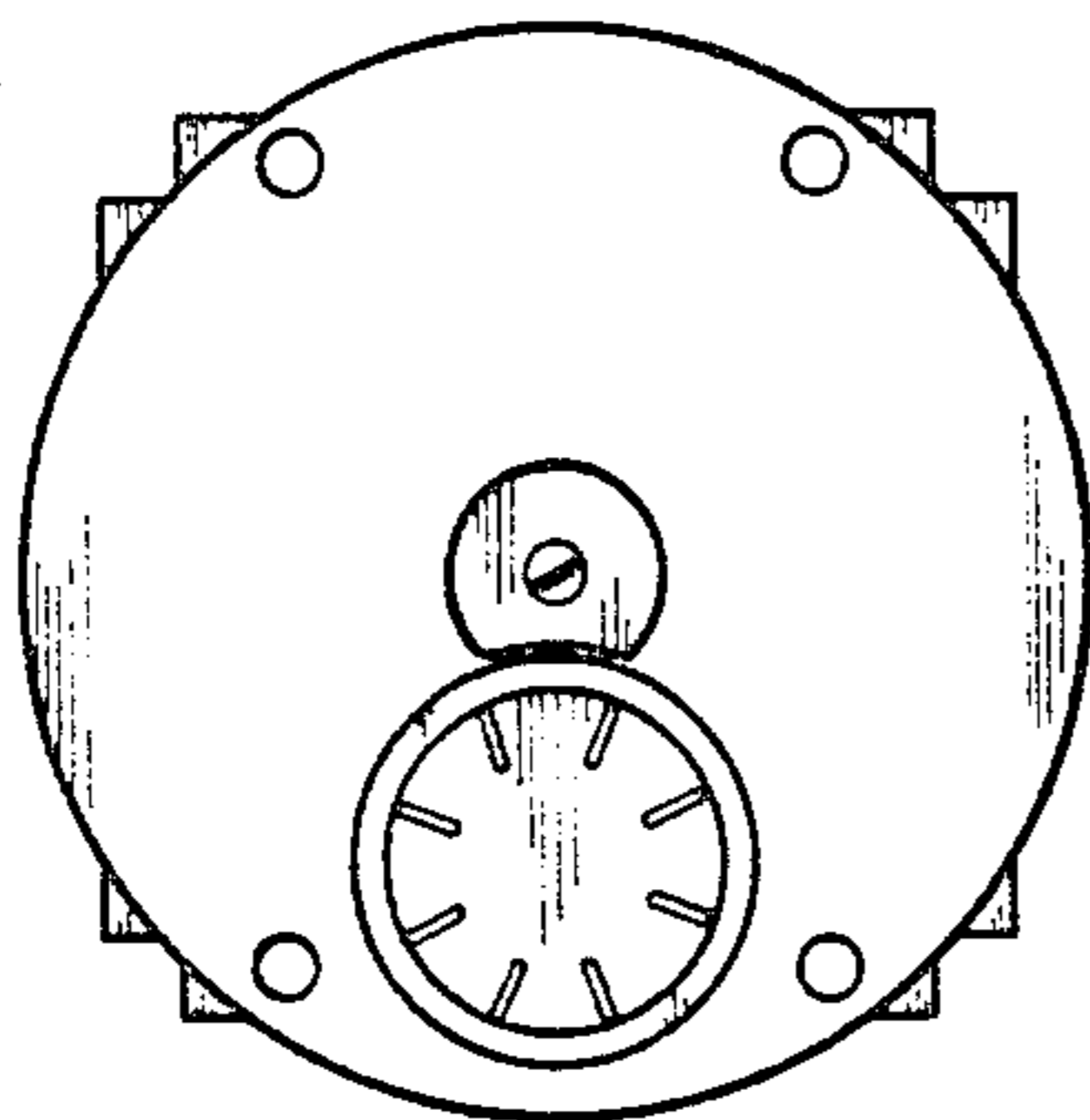


FIG. 3

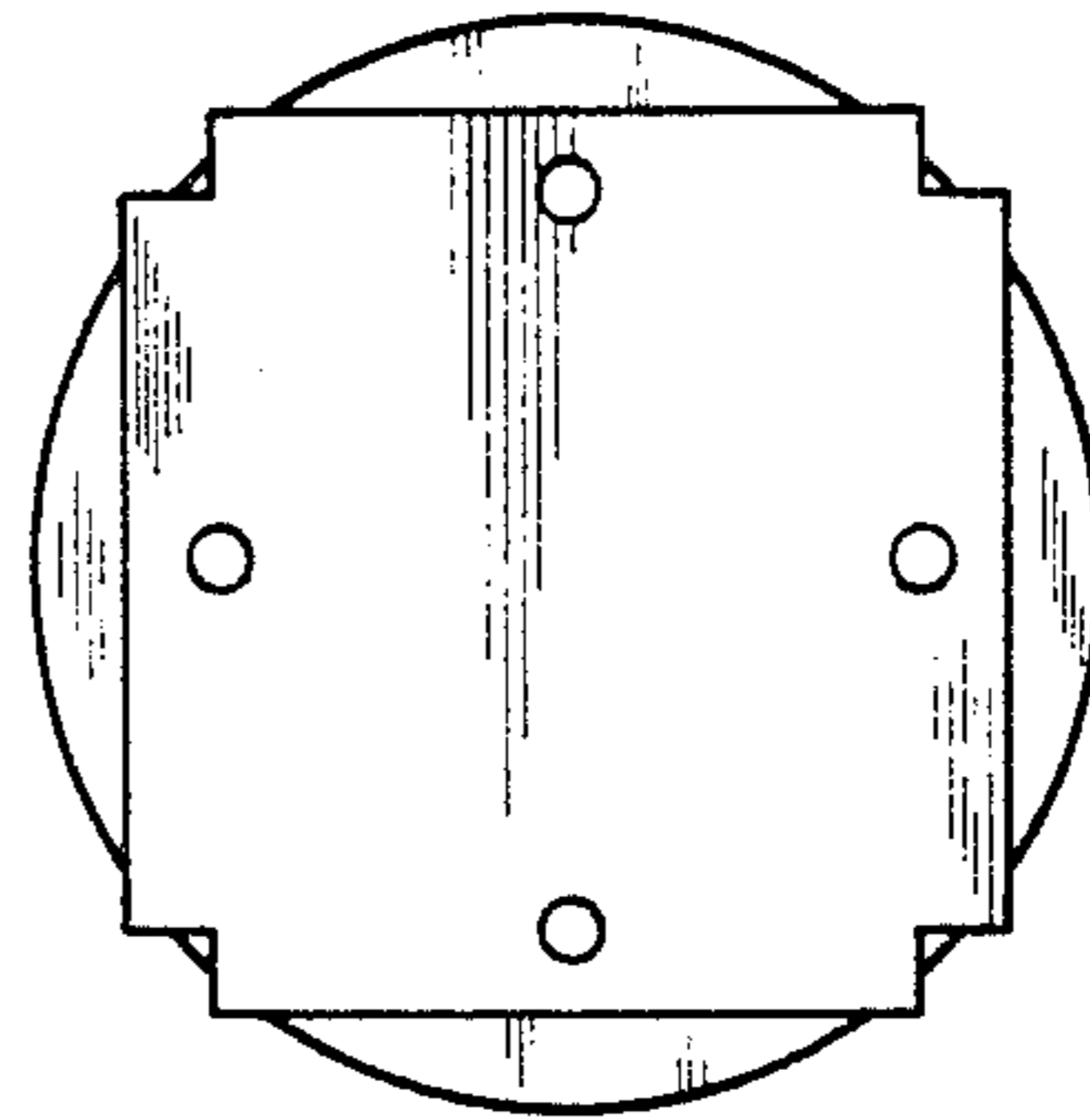


FIG. 4