

[54] CURRENT TRANSFORMER

[75] Inventors: David N. Makinson, Franklin, N.C.; Karl W. Struck, Clayton, Ga.

[73] Assignee: Sangamo Weston, Inc., Norcross, Ga.

[**] Term: 14 Years

[21] Appl. No.: 595,178

[22] Filed: Mar. 30, 1984

[52] U.S. Cl. D13/4

[58] Field of Search D13/2-4, D13/11, 13, 24, 30, 40-41; 200/5 R, 293-294, 297, 302.1, 302.2, 333-334; 336/83-84, 90-92, 173-176; 174/50, 52 R, 53, 58-60, 65 R, 66-67; 361/331-332, 334, 346-347, 350, 356, 380, 390-392, 394; 220/3.2, 3.3, 241-242; D10/46

[56] References Cited

U.S. PATENT DOCUMENTS

- D. 104,627 5/1937 Hitchcock et al. D13/4
- D. 215,447 9/1969 Canney D13/4
- D. 219,597 12/1970 Smith D13/4

- D. 246,111 10/1977 Steinhilber D10/46
- D. 260,635 9/1981 Lockwood D13/4
- D. 260,877 9/1981 Scott et al. D13/4
- 1,594,506 8/1926 Hansen D13/4
- 2,948,871 8/1960 Craige 336/83
- 3,147,456 9/1964 Gallousis 336/173
- 3,264,591 8/1966 D'entremont 336/174
- 3,423,709 1/1969 Lugten 336/83
- 3,500,274 3/1970 Matsuura et al. 336/83
- 3,507,039 4/1970 Craige 336/83

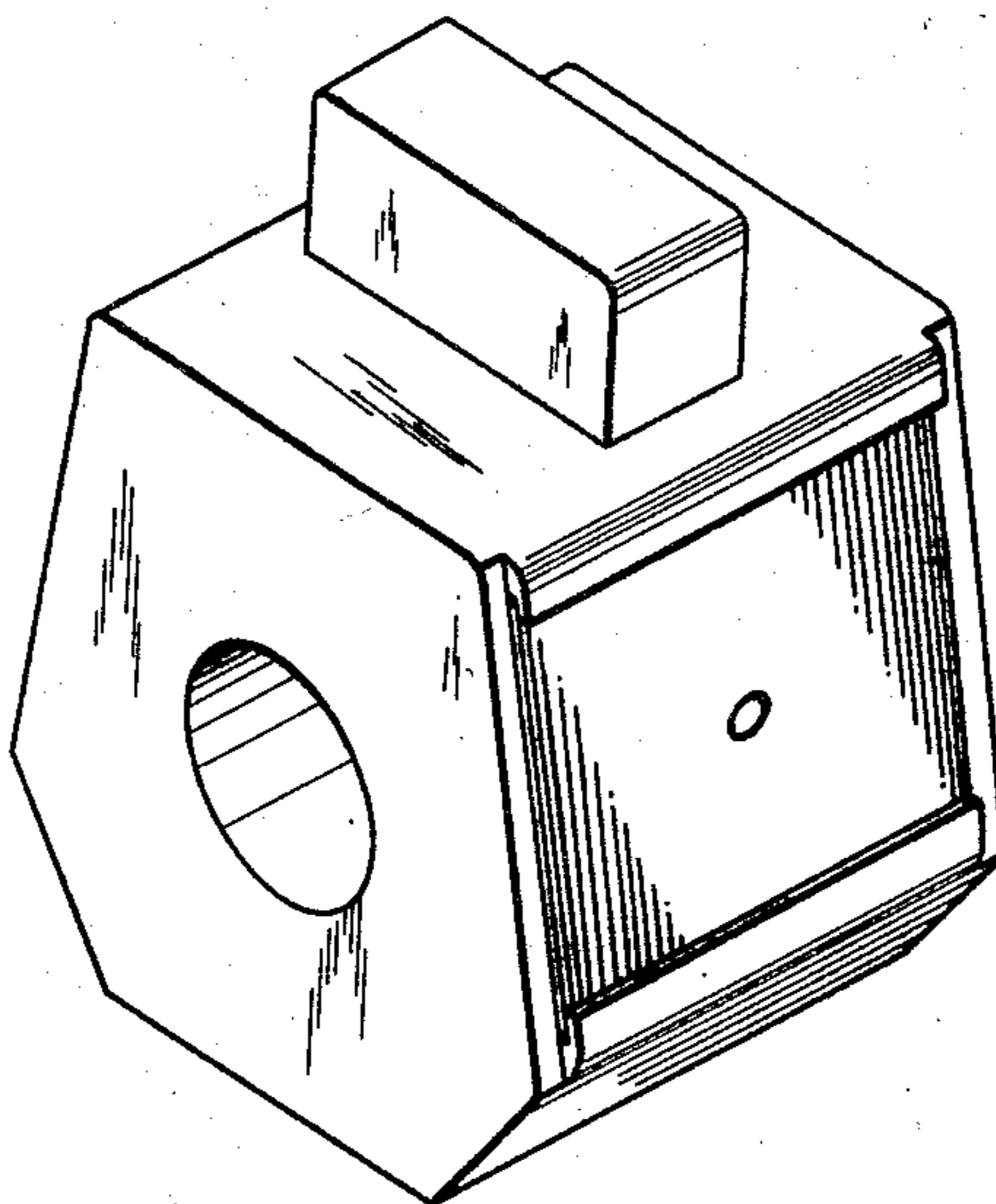
Primary Examiner—James M. Gandy
Assistant Examiner—Ruth E. Takemoto
Attorney, Agent, or Firm—Dale Gaudier

[57] CLAIM

The ornamental design for a current transformer, as shown.

DESCRIPTION

FIG. 1 is a perspective view of a current transformer showing our new design; FIG. 2 is a rear elevational view thereof; FIG. 3 is a side elevational view thereof; the opposite side being substantially identical; and FIG. 4 is a bottom plan view thereof.



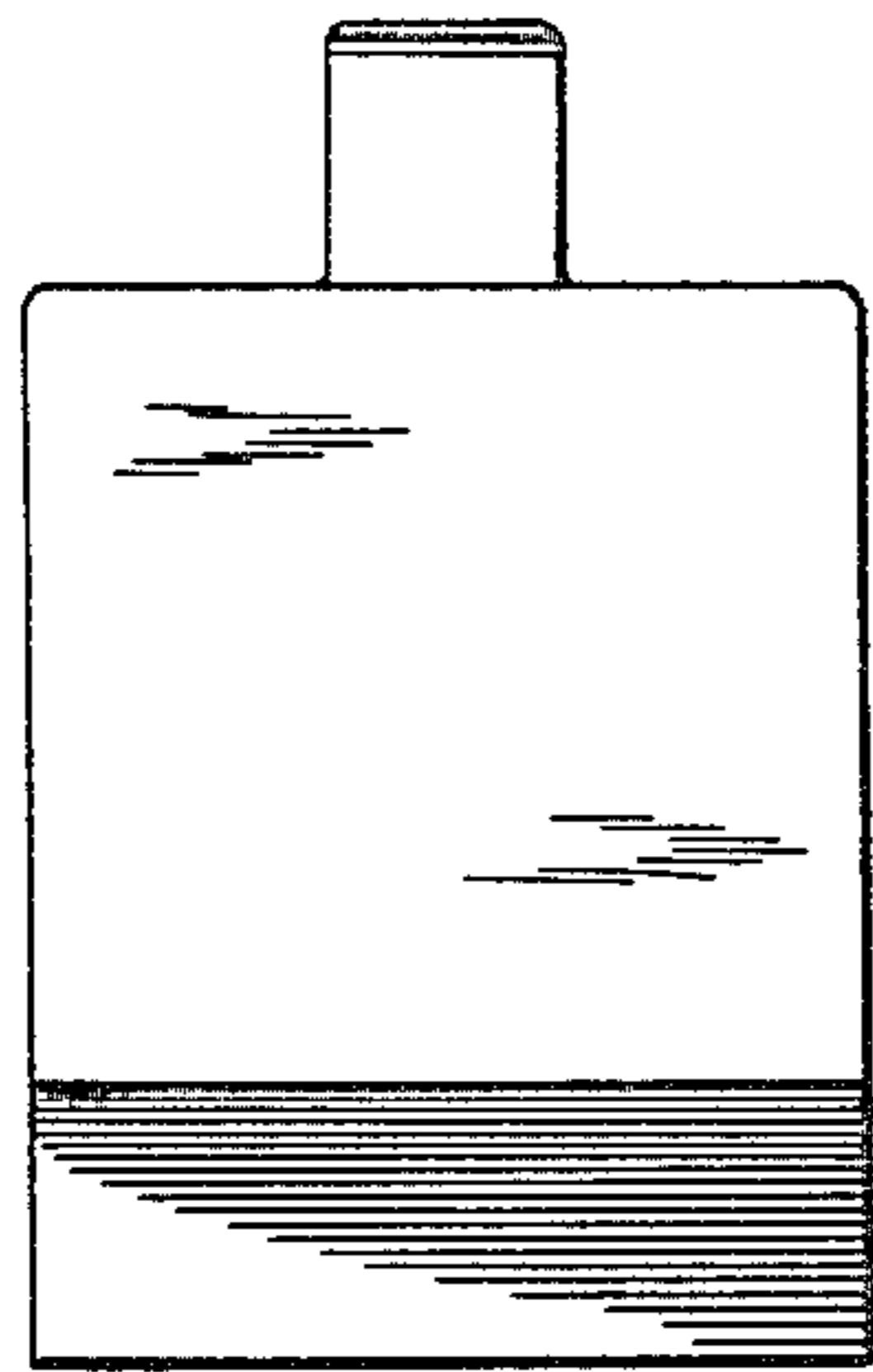
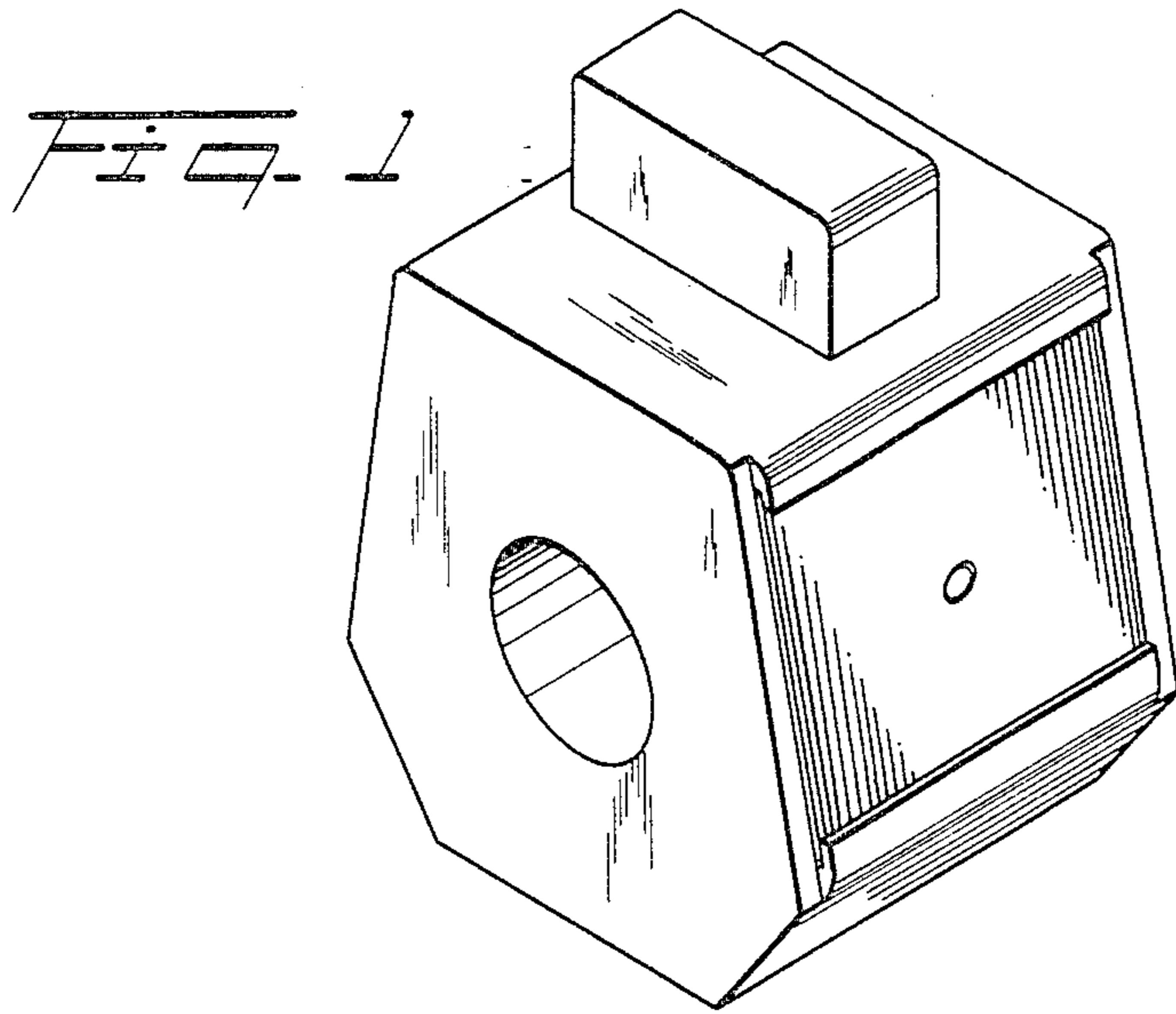


Fig. 2

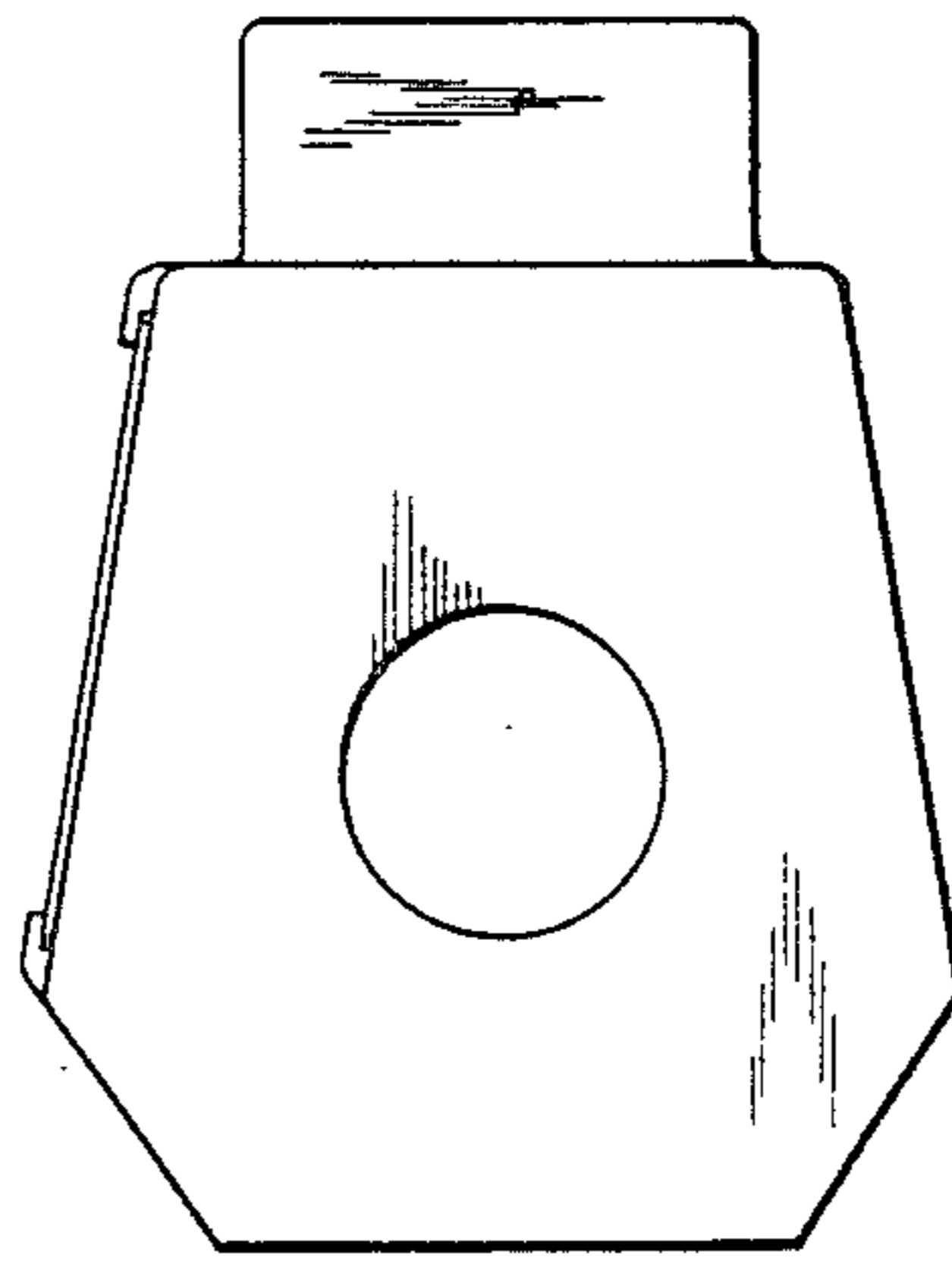


Fig. 3

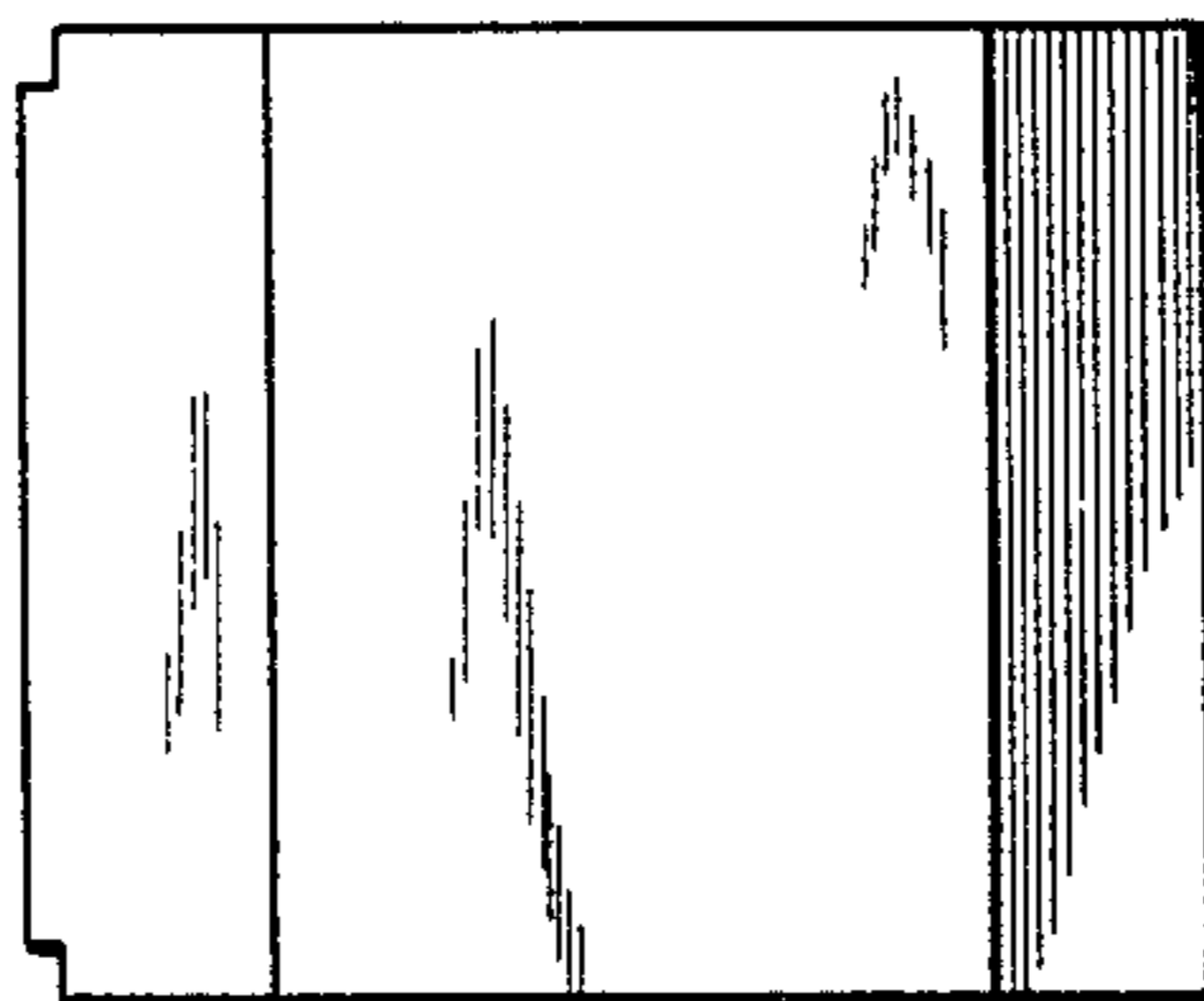


Fig. 4