

[54] WINDSHIELD VISOR FOR TRUCKS

[57] CLAIM

[76] Inventor: Allan W. Lund, 2641 - 118th Ave. NW., Minneapolis, Minn. 55433

The ornamental design for a windshield visor for trucks, as shown and described.

[73] Assignee: Allan W. Lund, Minneapolis, Minn.

[**] Term: 14 Years

DESCRIPTION

[21] Appl. No.: 528,979

FIG. 1 is a perspective view of a windshield visor for trucks showing my new design, it being understood that the broken lines are for illustrative purposes only;

[22] Filed: Sep. 2, 1983

FIG. 2 is a top plan view thereof;

[52] U.S. Cl. D12/191

FIG. 3 is a front elevation view thereof;

[58] Field of Search D12/191; 296/95 R, 97 A

FIG. 4 is an elevation view taken from one end thereof; FIG. 5 is an elevation view taken from the opposite end thereof;

[56] References Cited

U.S. PATENT DOCUMENTS

- D. 239,705 4/1976 Lund D12/191
- D. 273,679 5/1984 Lund D12/191

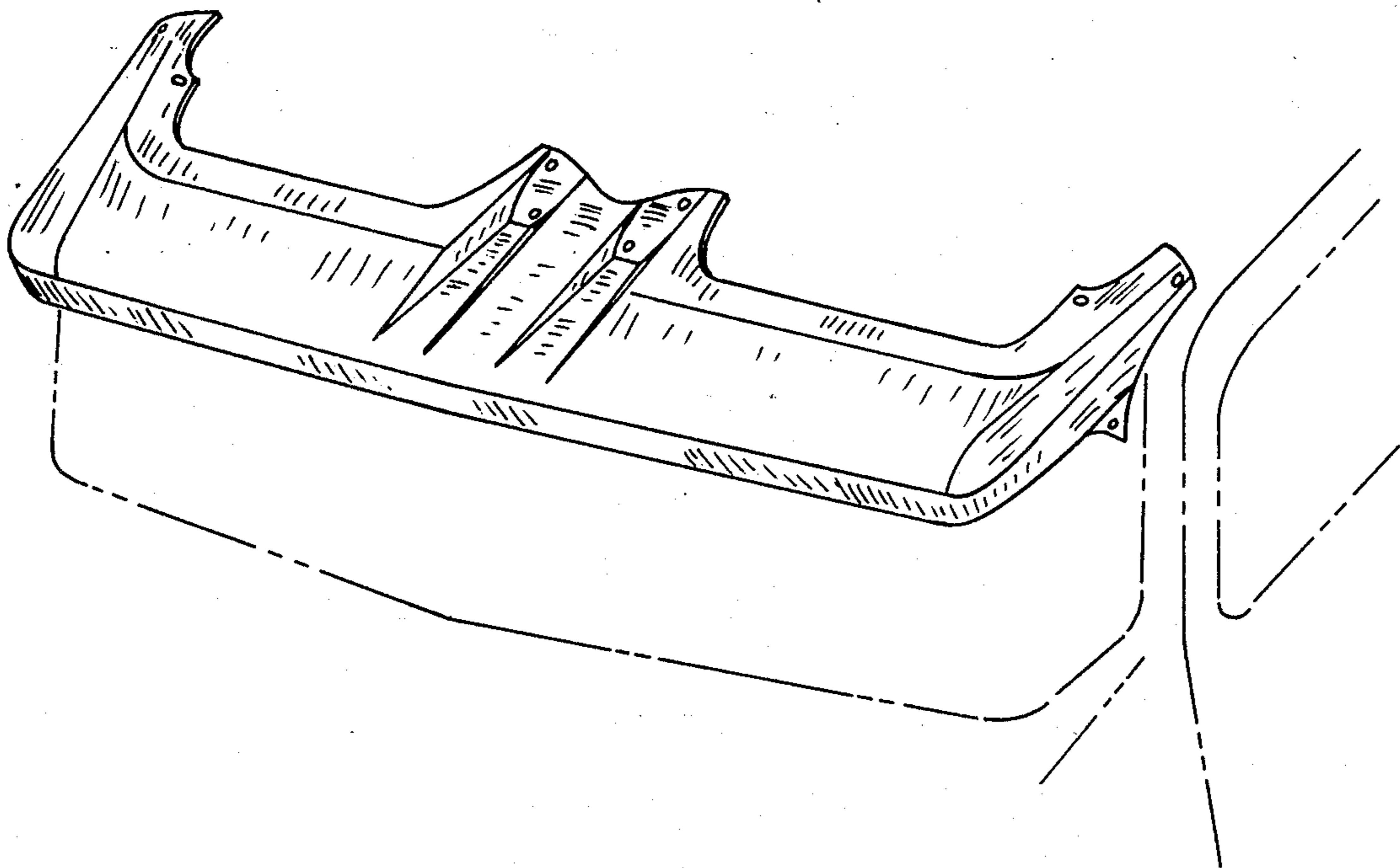
FIG. 6 is a bottom plan view thereof;

FIG. 7 is a rear elevation view thereof;

FIG. 8 is a vertical section view taken substantially along line 8—8 of FIG. 7; and,

FIG. 9 is a vertical section view taken substantially along line 9—9 of FIG. 7.

Primary Examiner—James M. Gandy



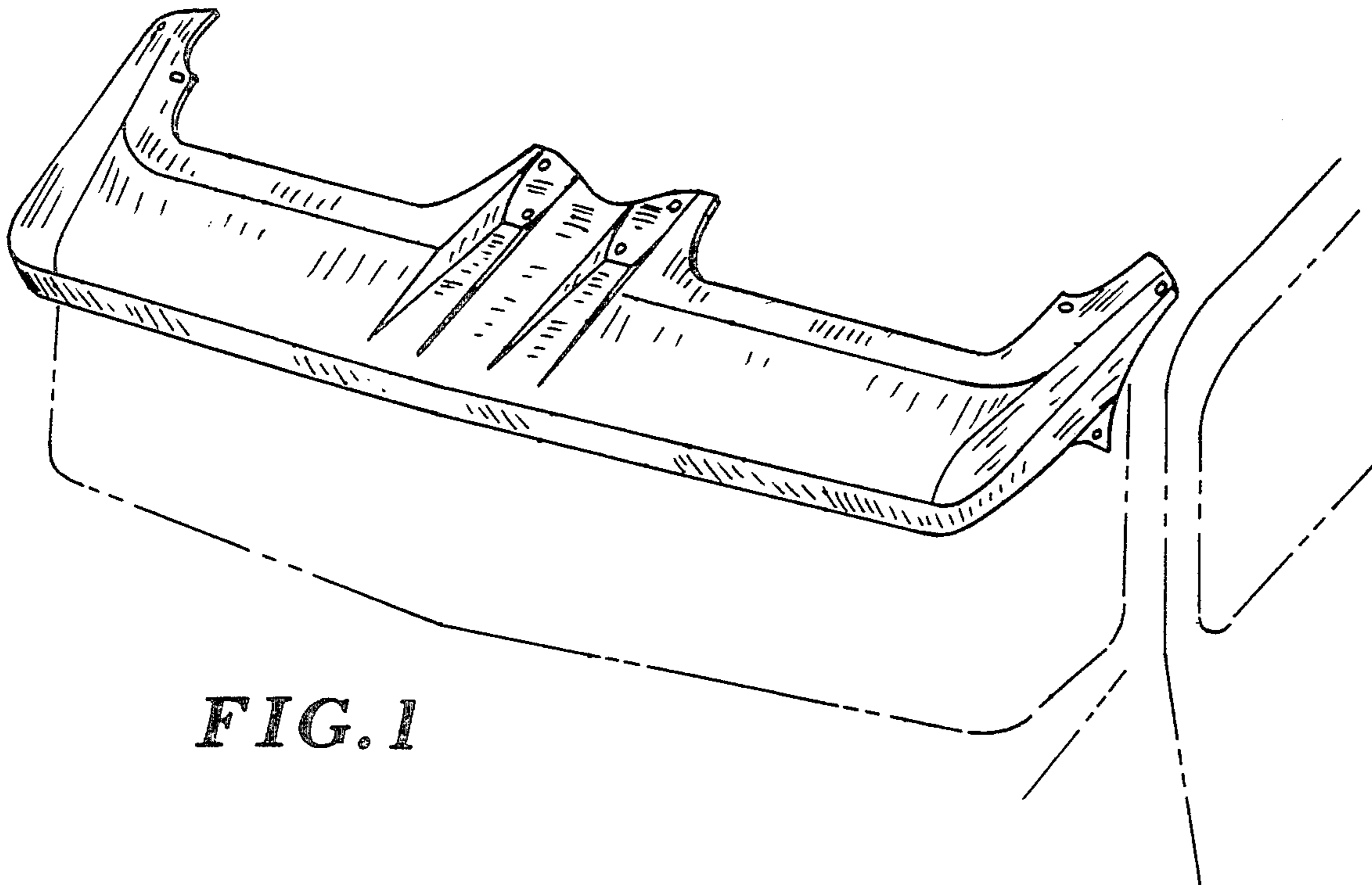


FIG. 1

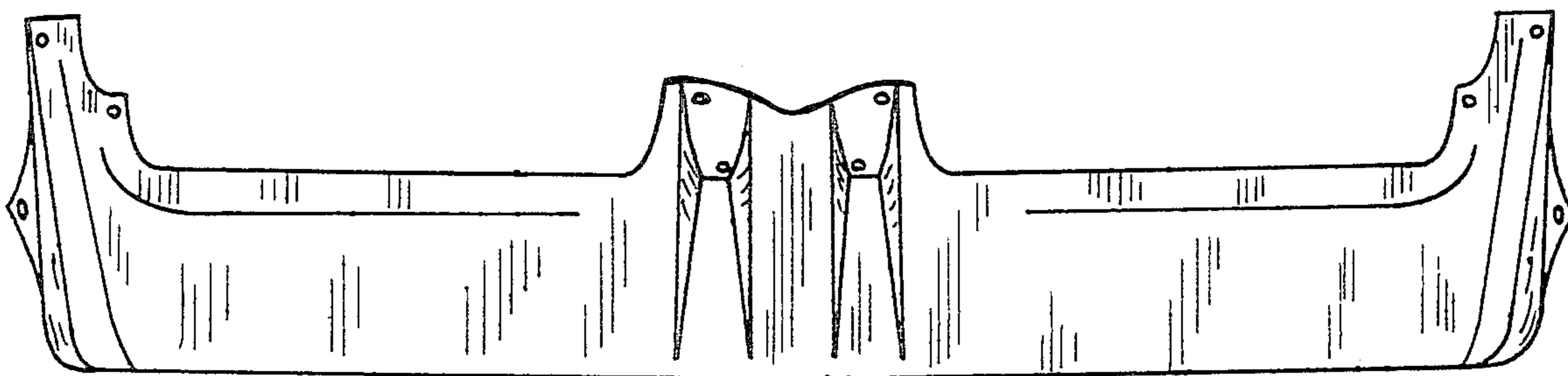


FIG. 2

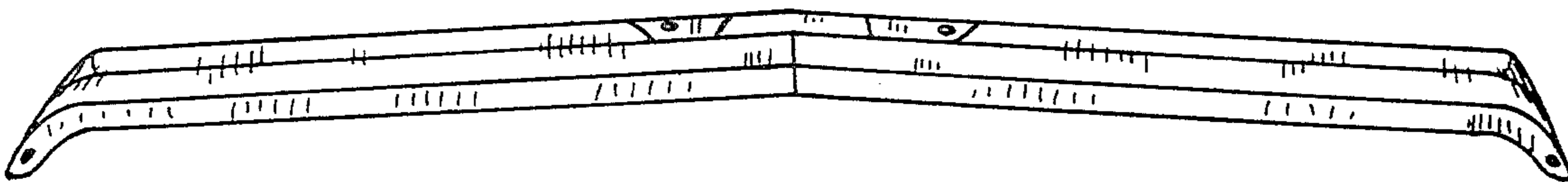


FIG. 3

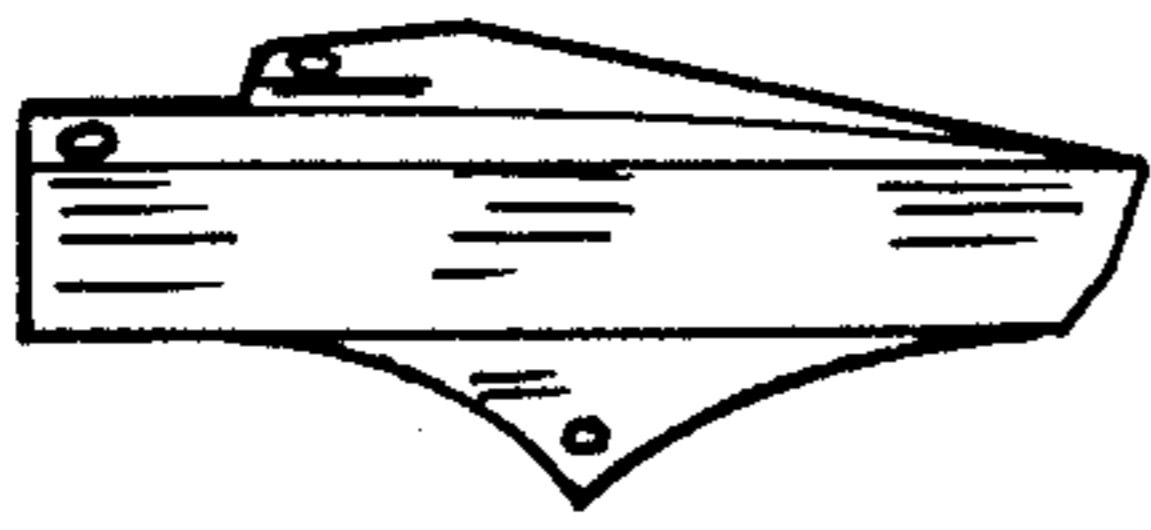


FIG. 4

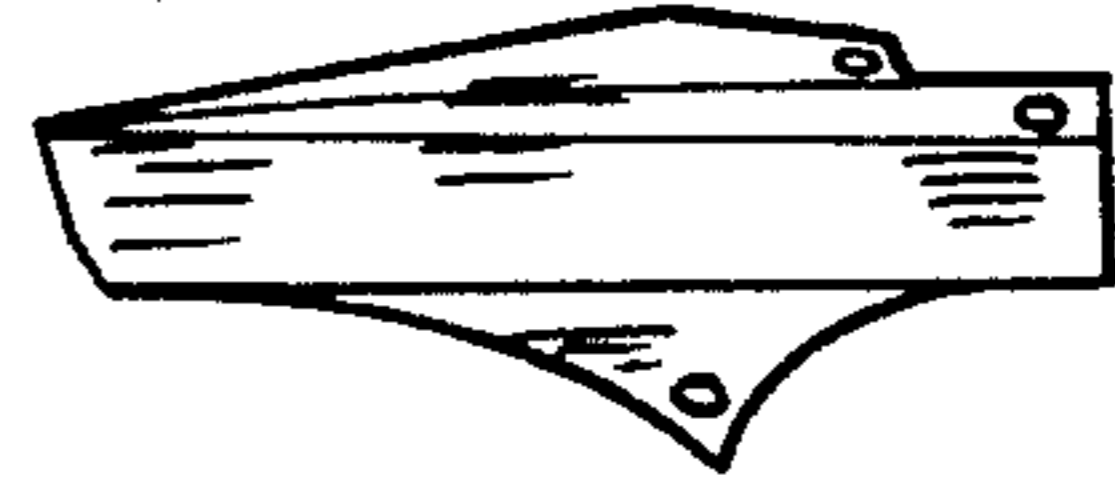


FIG. 5

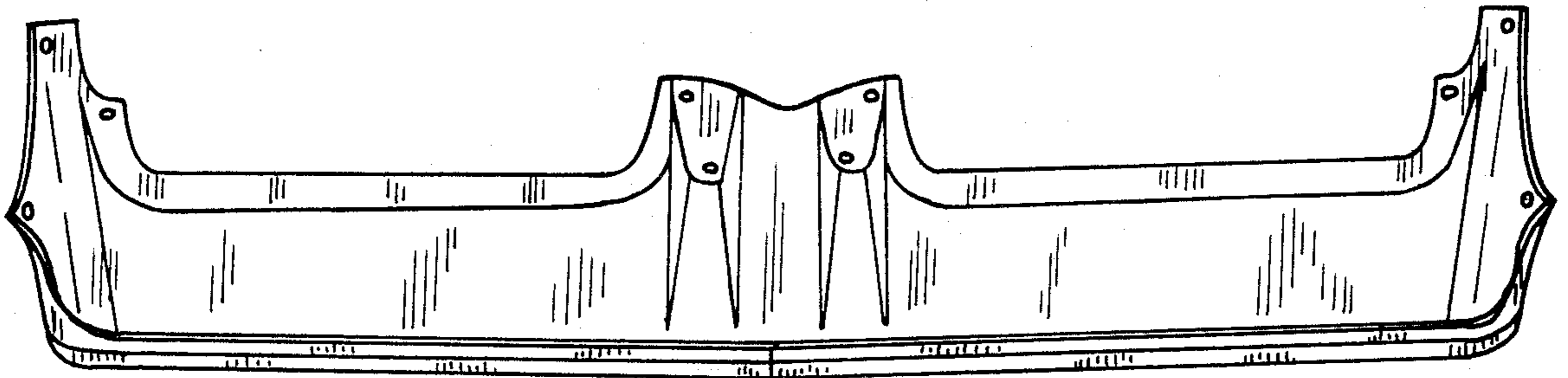


FIG. 6

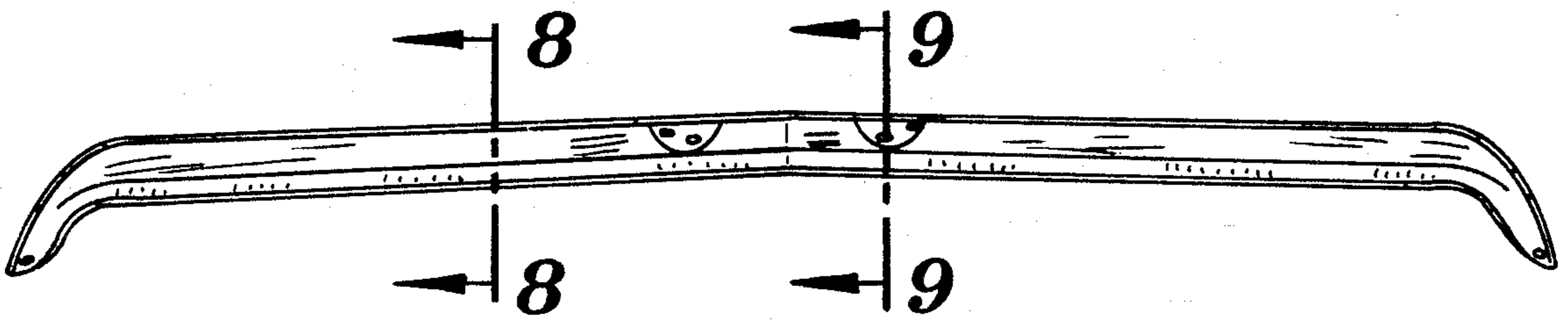


FIG. 7



FIG. 8

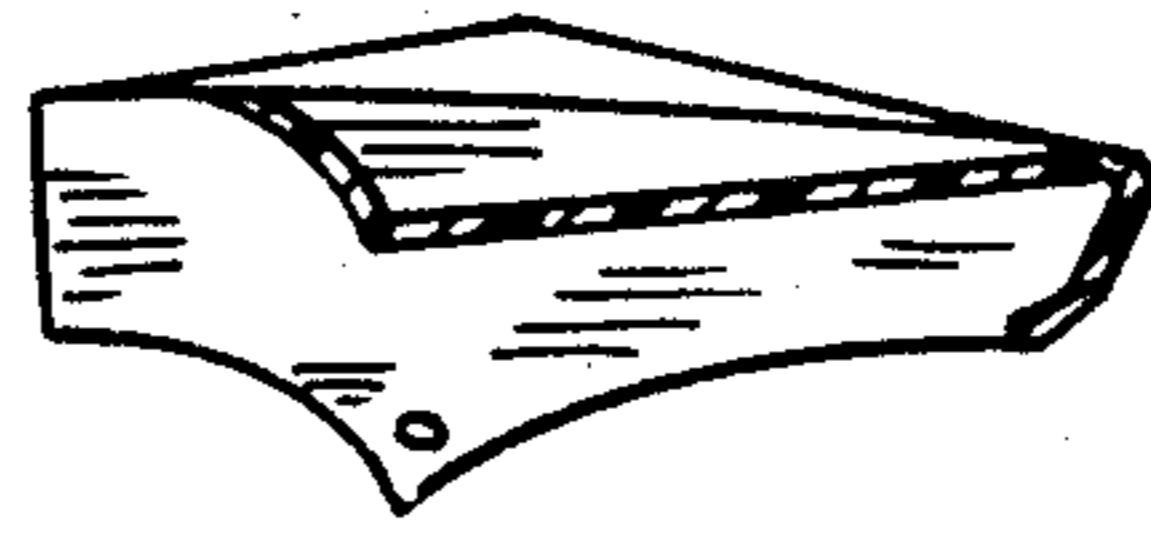


FIG. 9