

[54] STROLLER

[75] Inventor: Alan R. Brewster, Coventry, England

[73] Assignee: Andrews Maclaren Limited, United Kingdom

[**] Term: 14 Years

[21] Appl. No.: 682,147

[22] Filed: Dec. 17, 1984

[30] Foreign Application Priority Data

Jun. 18, 1984 [GB] United Kingdom 841020348
[52] U.S. Cl. D12/129
[58] Field of Search D12/129, 130, 132, 133; 280/642, 643, 644, 42, 647, 648, 649, 650; 297/429, 437, 377; D6/333

[56]

References Cited

U.S. PATENT DOCUMENTS

D. 278,993	5/1985	Kasai	D12/129
4,435,012	3/1984	Kasai	297/377
4,506,906	3/1985	Allder	280/642

Primary Examiner—James M. Gandy
Assistant Examiner—Kay H. Chin
Attorney, Agent, or Firm—Parkhurst & Oliff

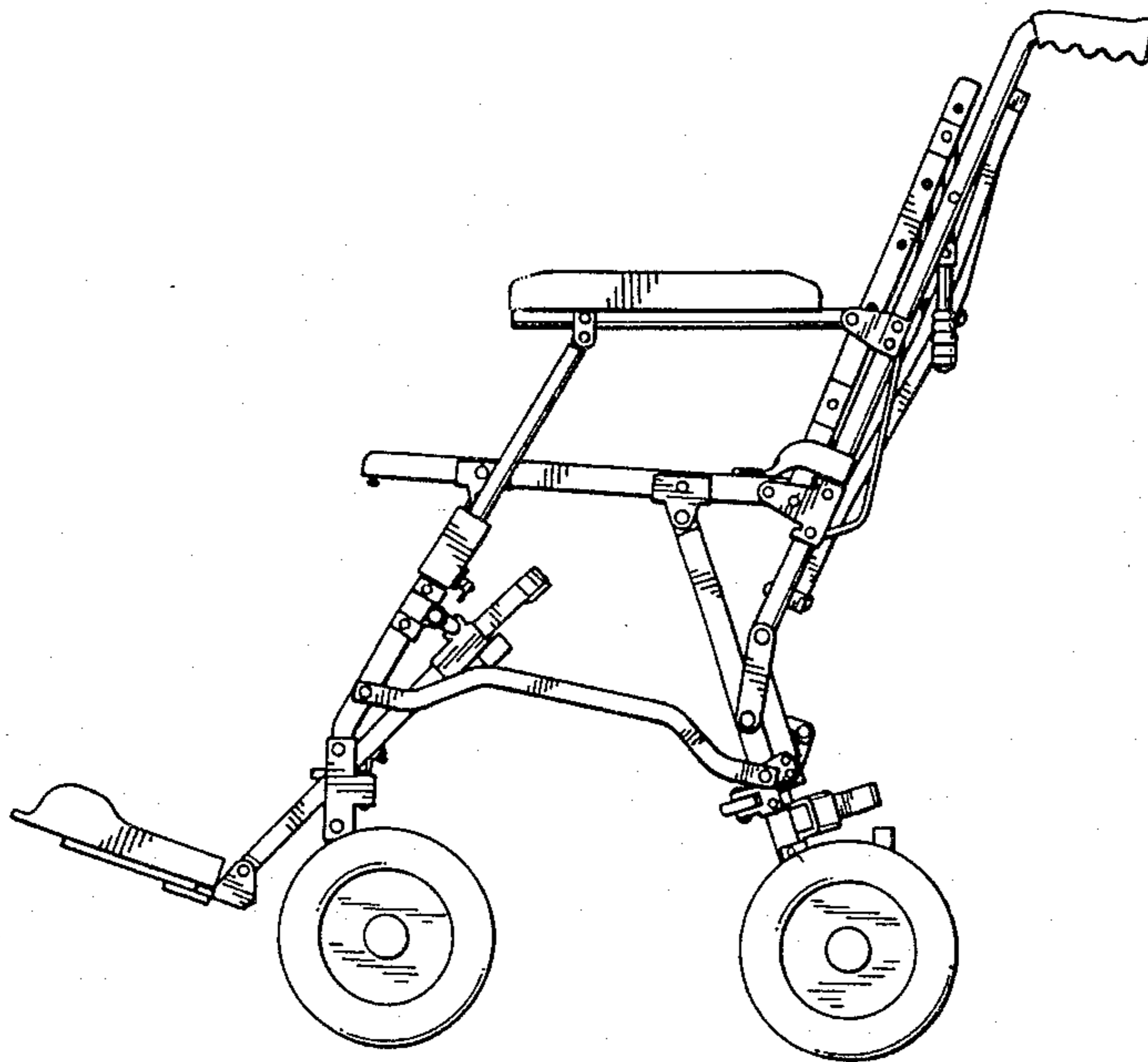
[57]

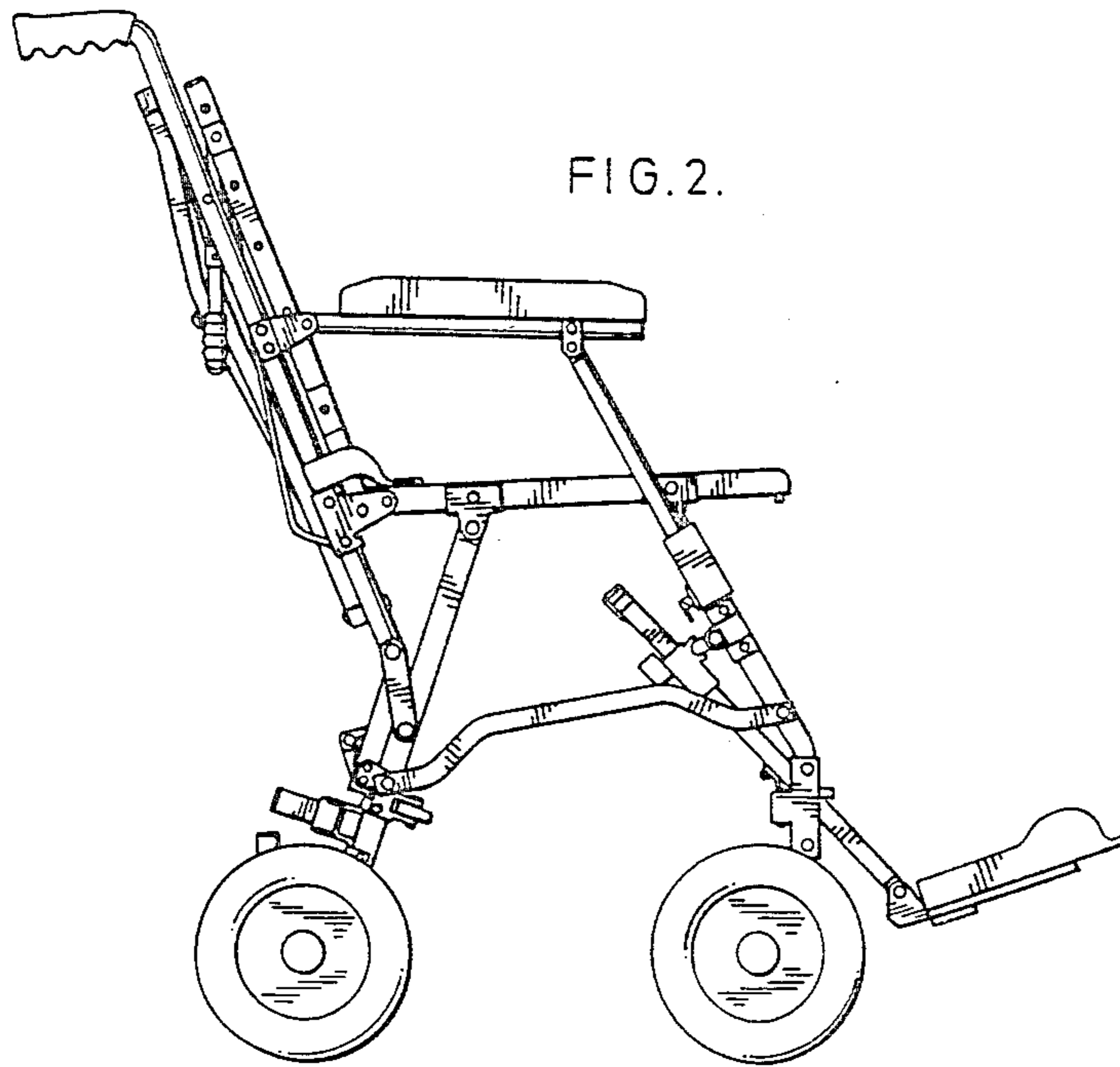
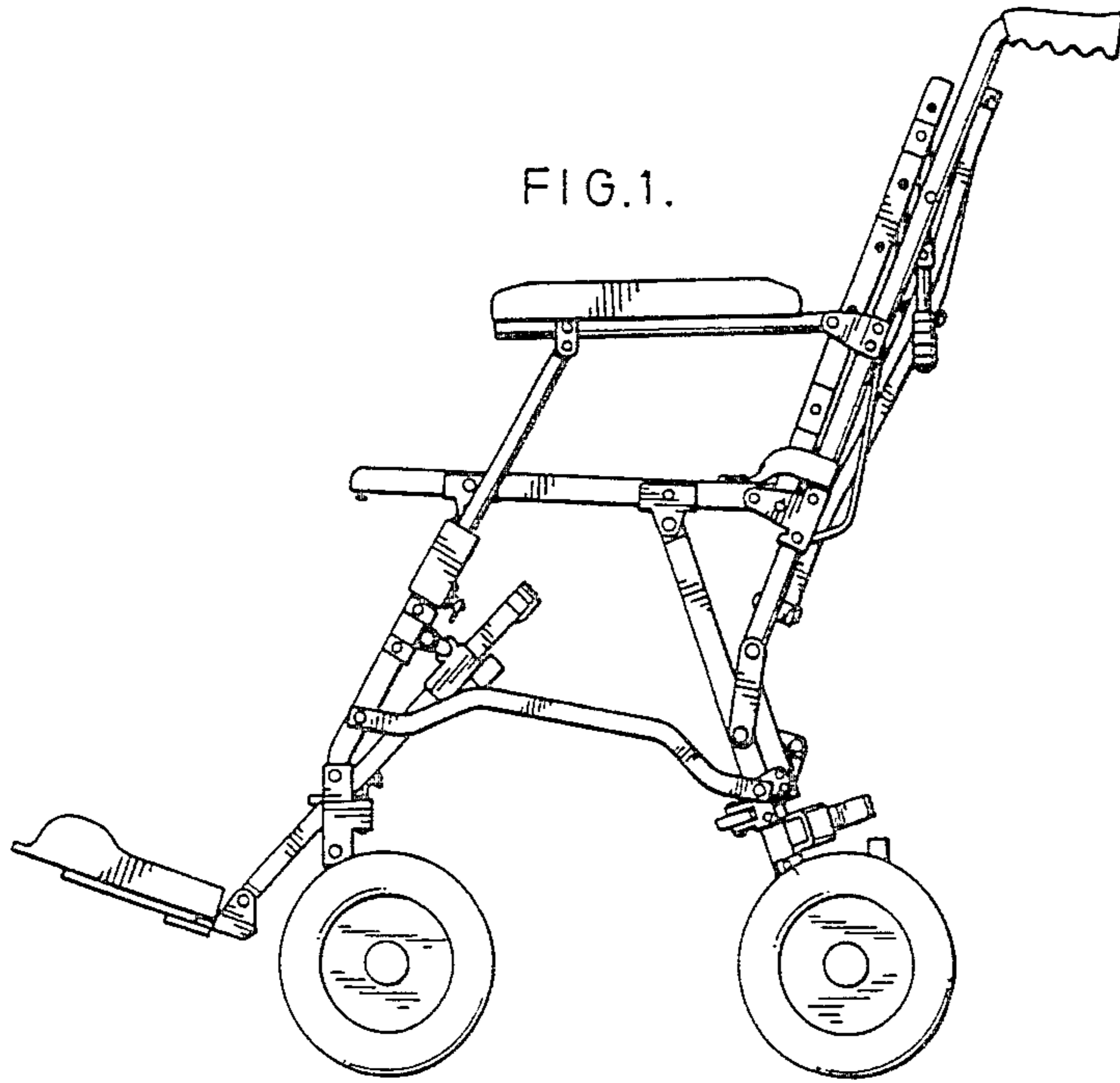
CLAIM

The ornamental design for a stroller, as shown.

DESCRIPTION

FIG. 1 is a left side elevation view of a stroller showing my new design;
FIG. 2 is a right side elevation view thereof;
FIG. 3 is a front elevation view thereof;
FIG. 4 is a rear elevation view thereof;
FIG. 5 is a top plan view thereof; and
FIG. 6 is a bottom plan view thereof.





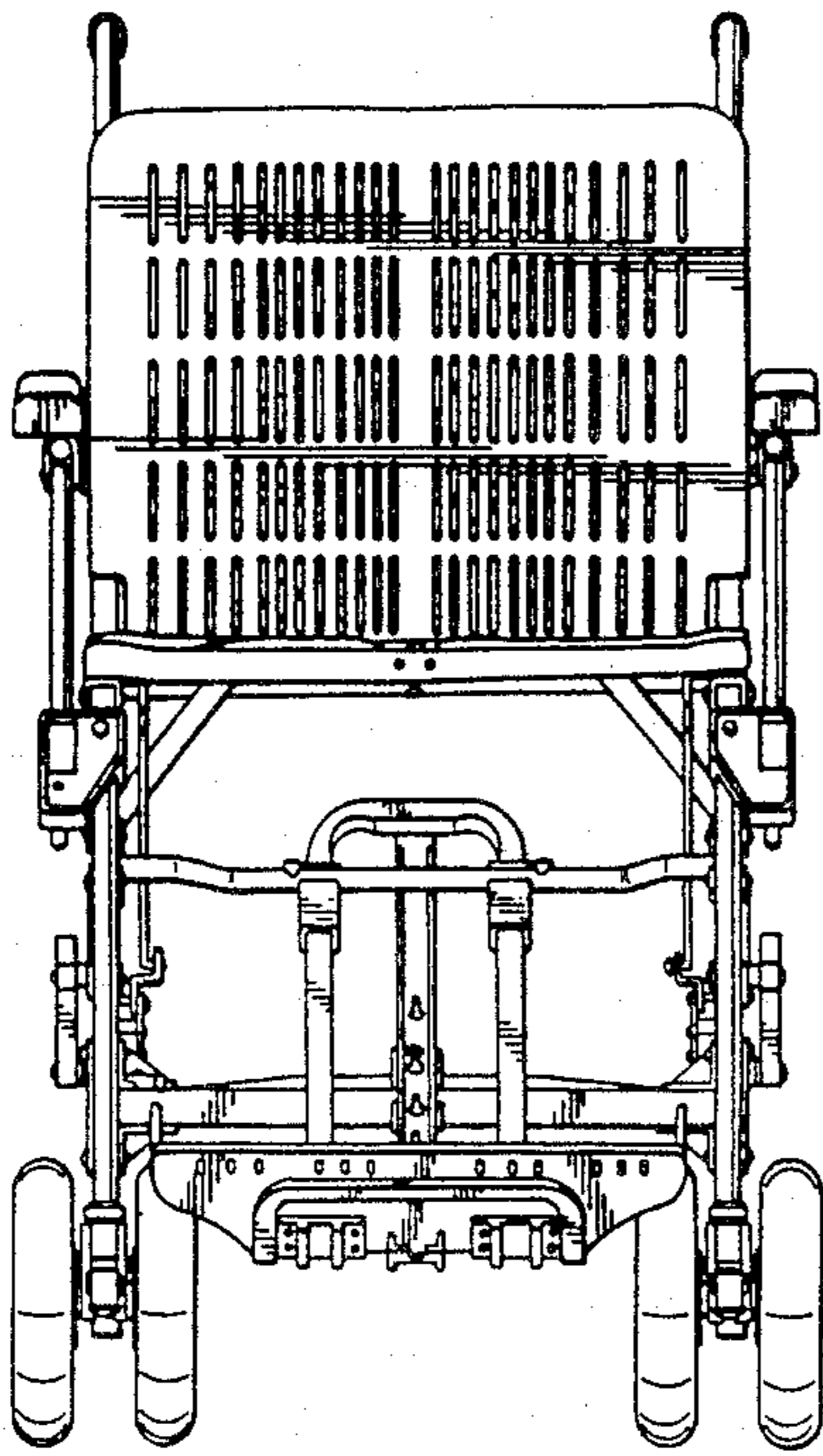


FIG. 3.

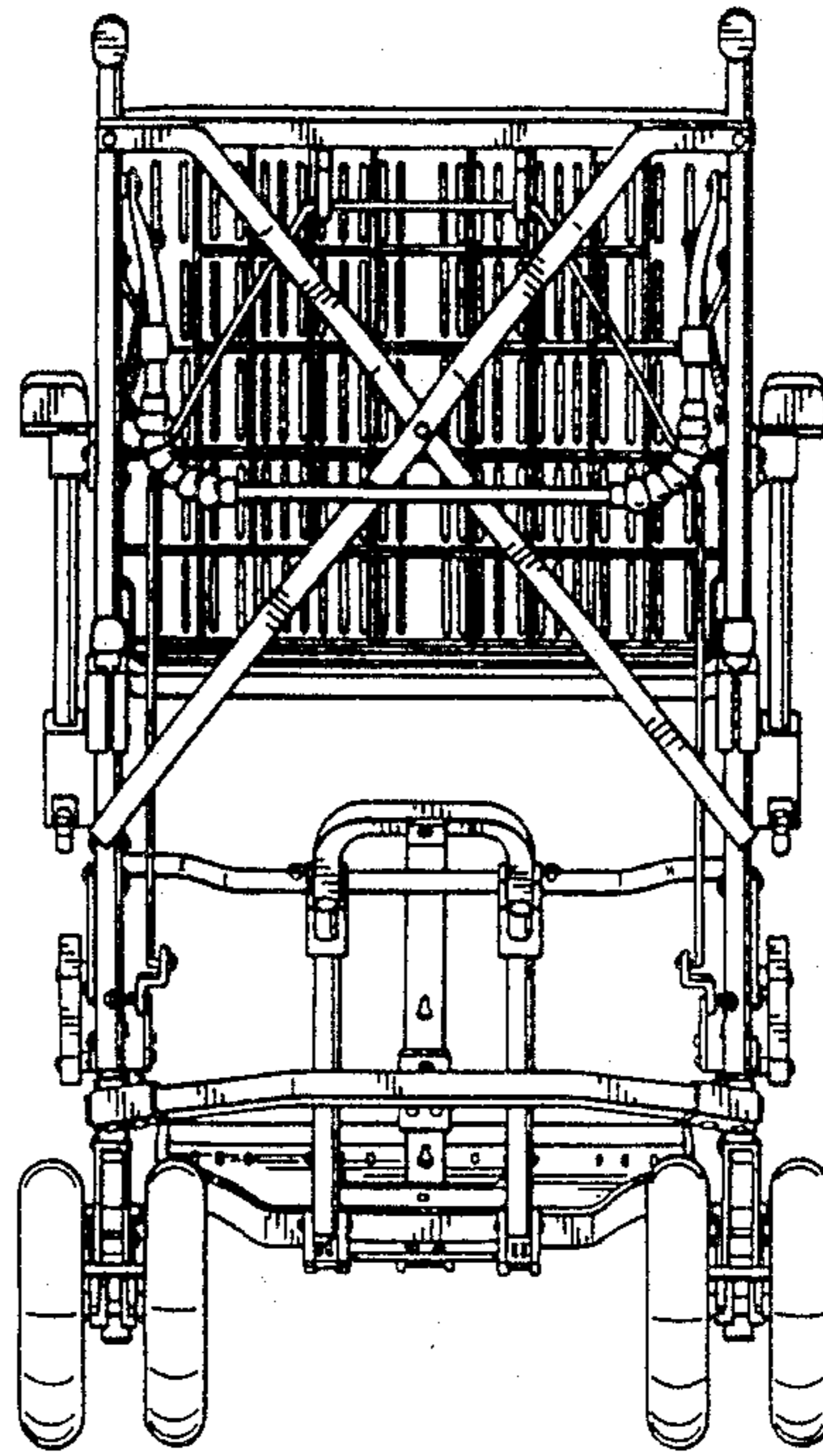


FIG. 4.

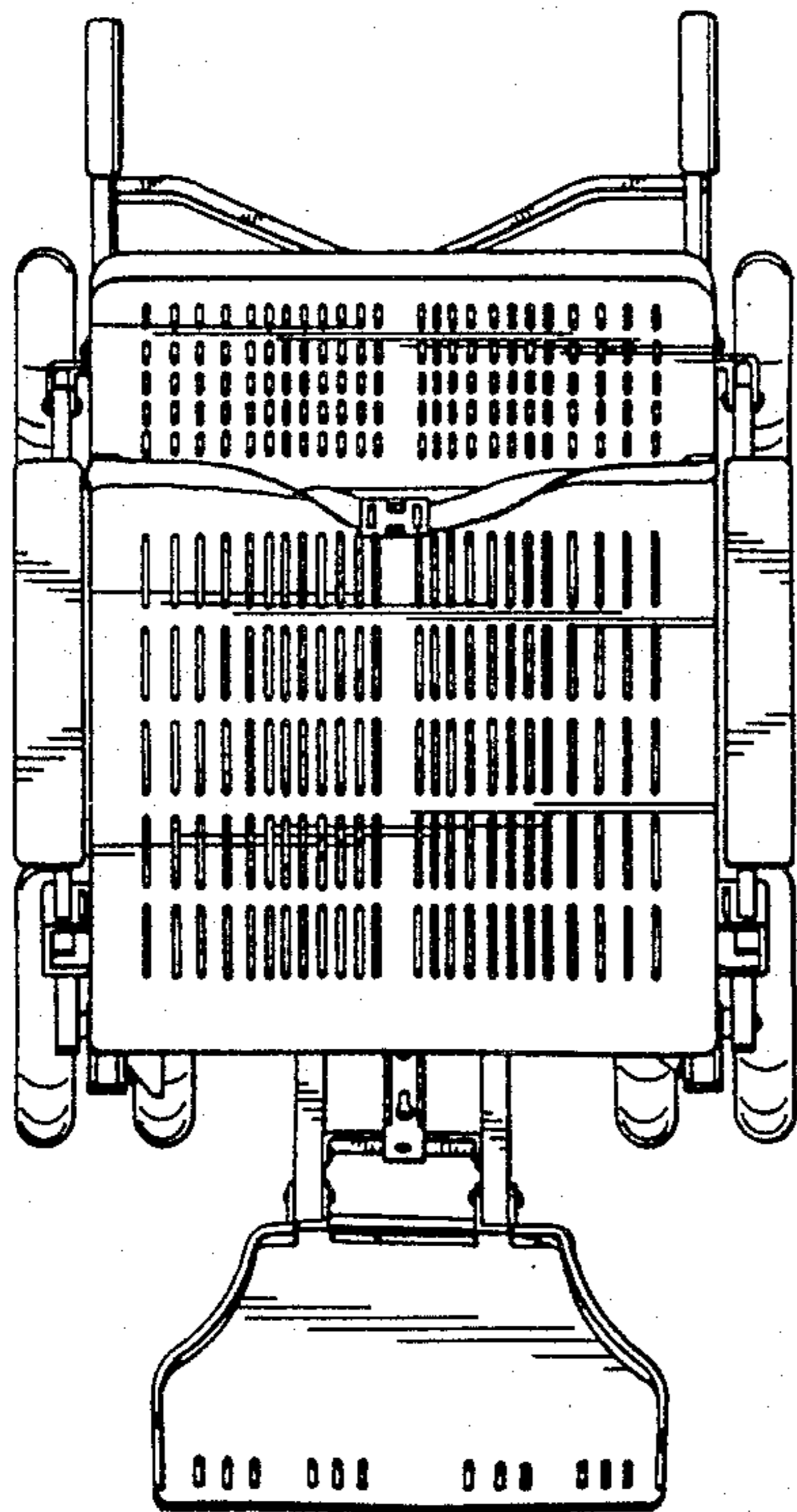


FIG. 5.

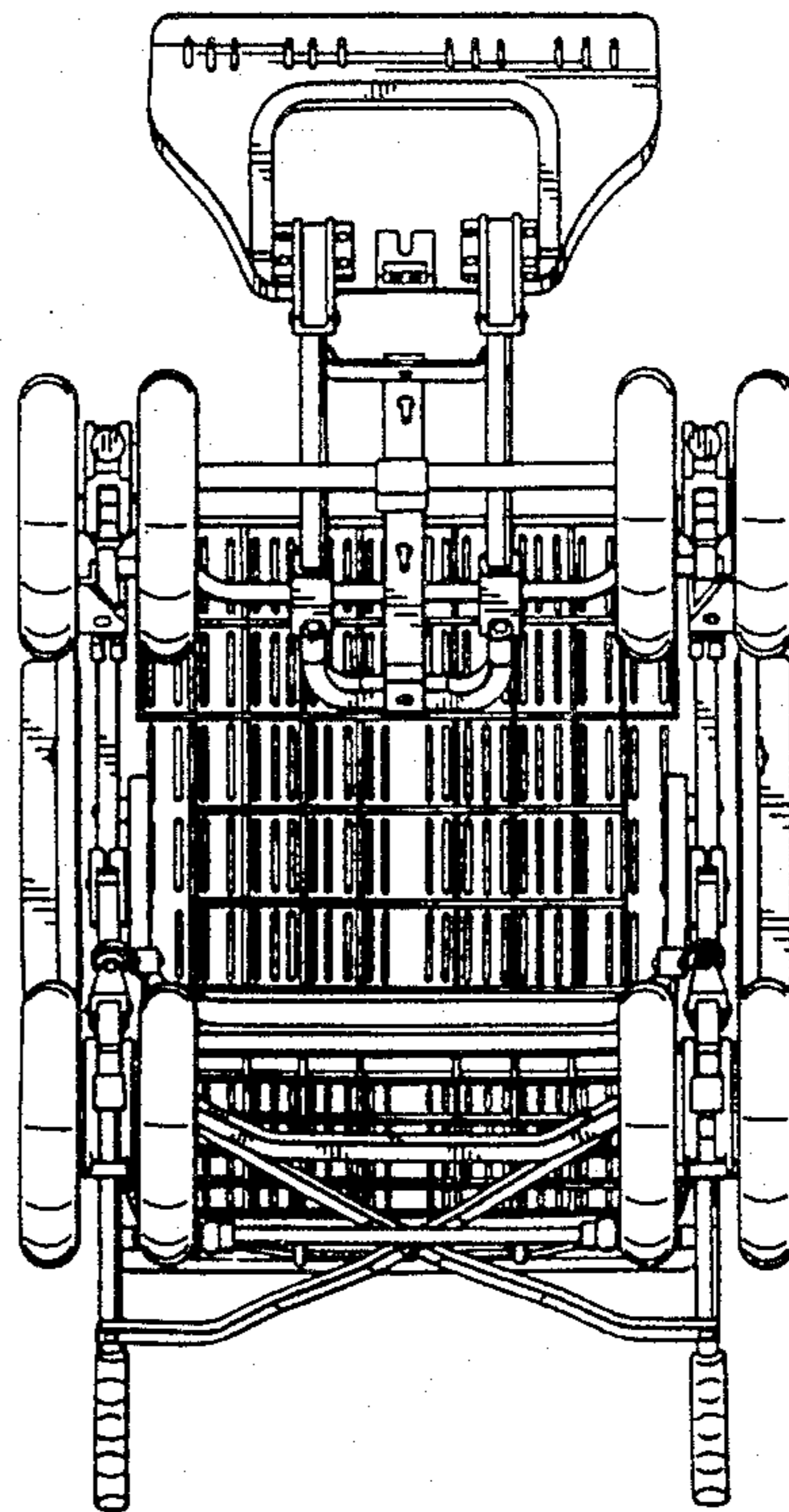


FIG. 6.