

[54] BEVERAGE CAN HOLDER FOR CYCLES OR THE LIKE

Primary Examiner—James M. Gandy
Attorney, Agent, or Firm—Charmasson & Holz

[76] Inventor: David M. Latchman, 4404 Kane St., San Diego, Calif. 92110

[57] CLAIM

The ornamental design for a beverage can holder for cycles or the like, as shown and described.

[**] Term: 14 Years

[21] Appl. No.: 614,126

DESCRIPTION

[22] Filed: May 25, 1984

[52] U.S. Cl. D12/114; D7/70

FIG. 1 is a perspective view of a beverage can holder for cycles or the like showing my new design;

[58] Field of Search D12/114; D7/70; D6/553; 224/35, 36, 32 R, 39, 30 A, 41; 248/311.2

FIG. 2 is a top plan view thereof;

FIG. 3 is a side elevational view thereof showing the holder secured to the front end of a bicycle frame partially drawn in dotted lines for illustrative purposes only and forming no part of the design;

[56] References Cited

U.S. PATENT DOCUMENTS

- D. 203,055 11/1965 Robinson D7/70
- D. 266,834 11/1982 Sinkhorn et al. D12/114
- 4,071,175 1/1978 Wagnon D7/70

FIG. 4 is a front elevational view thereof;

FIG. 5 is a back elevational view thereof; and

FIG. 6 is a bottom plan view thereof.

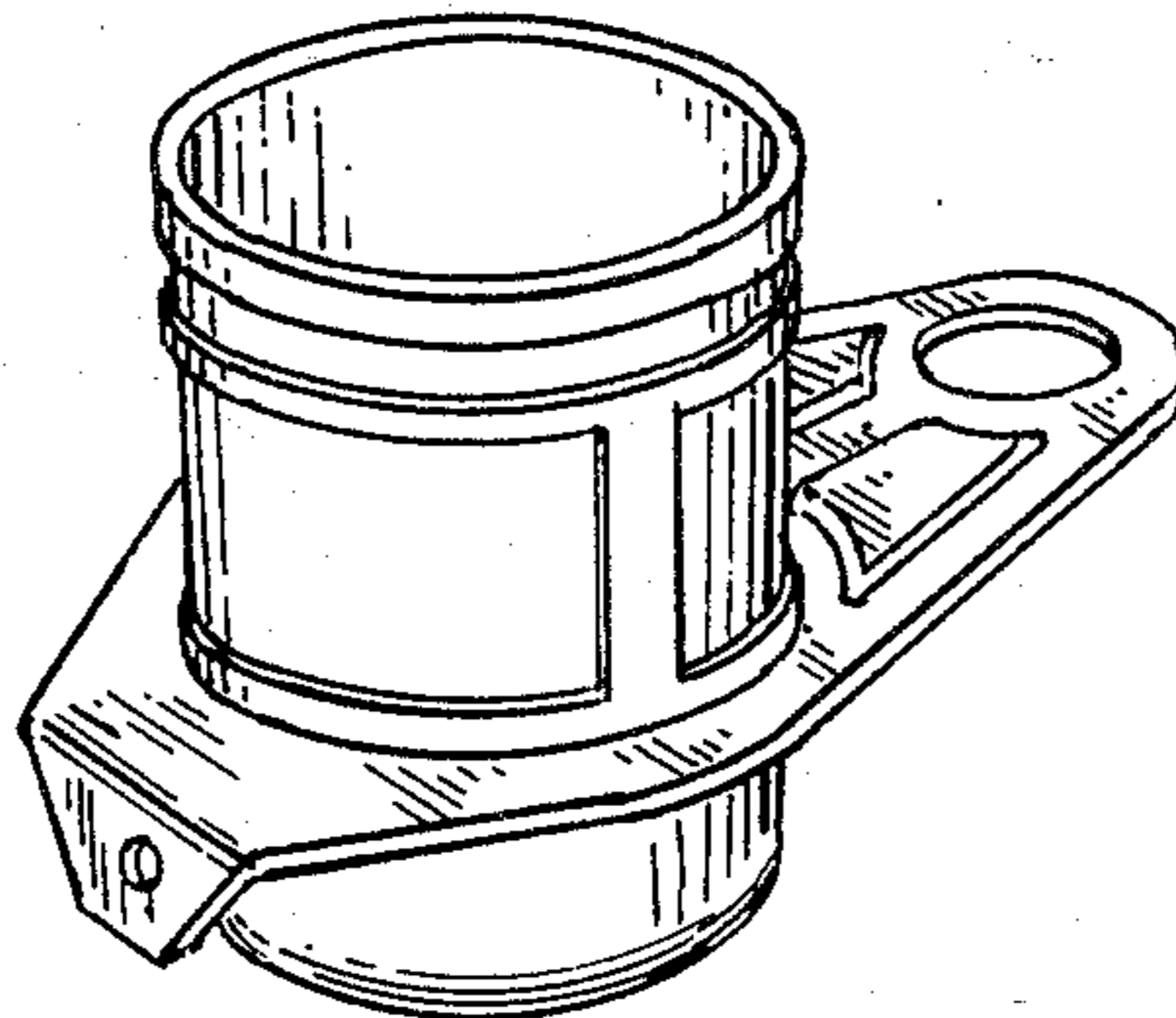


FIG. 1

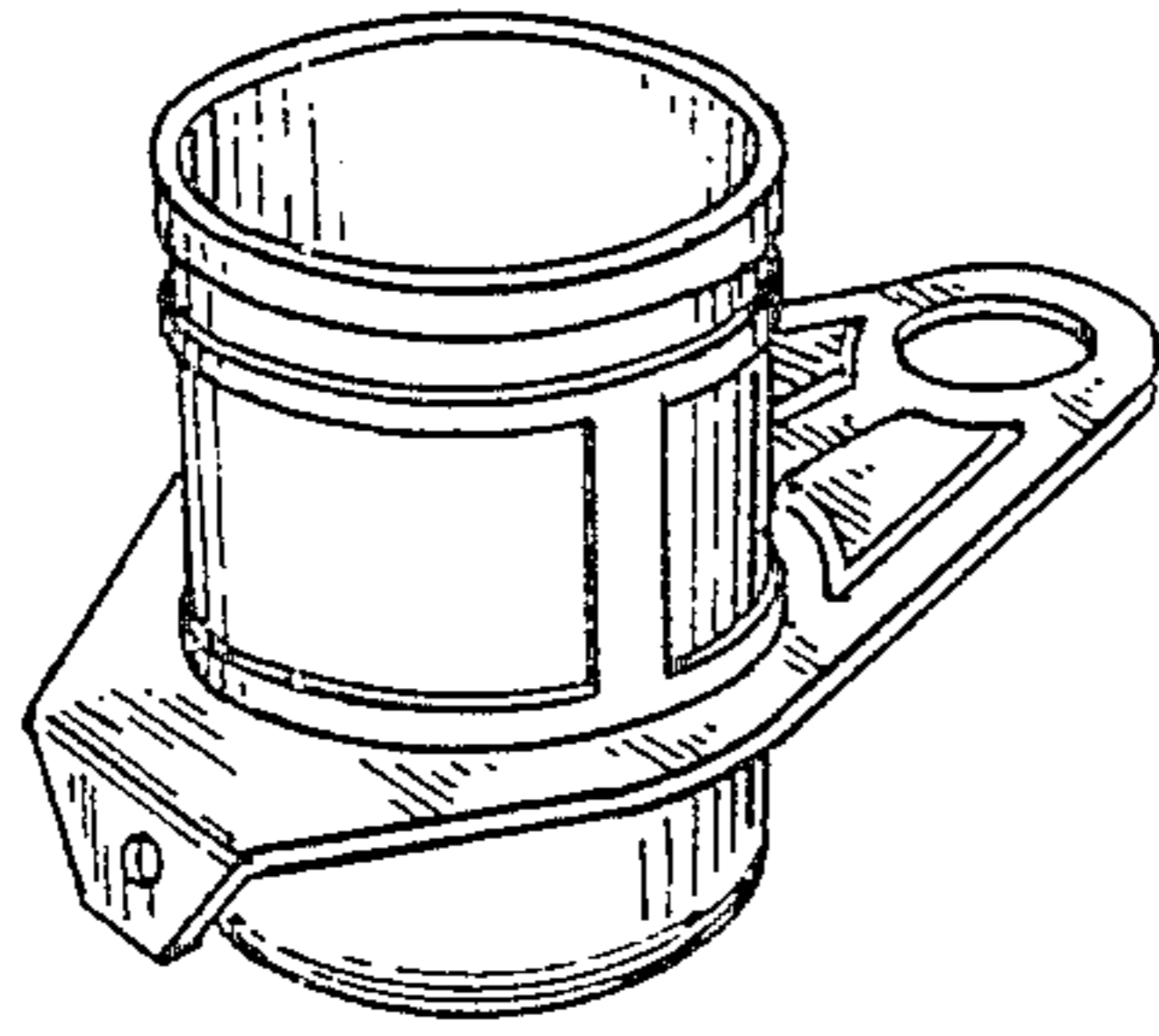


FIG. 2

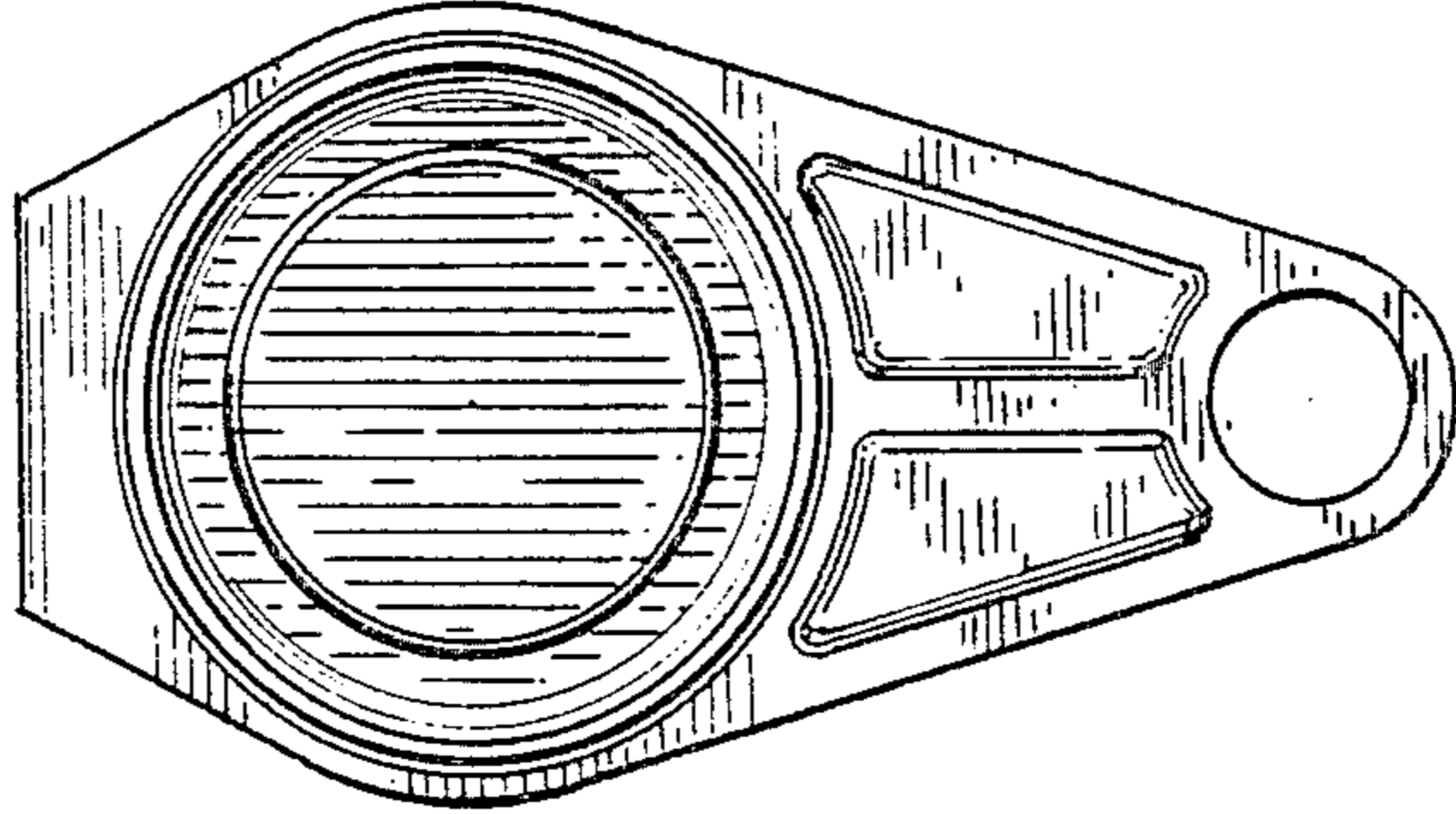


FIG. 4

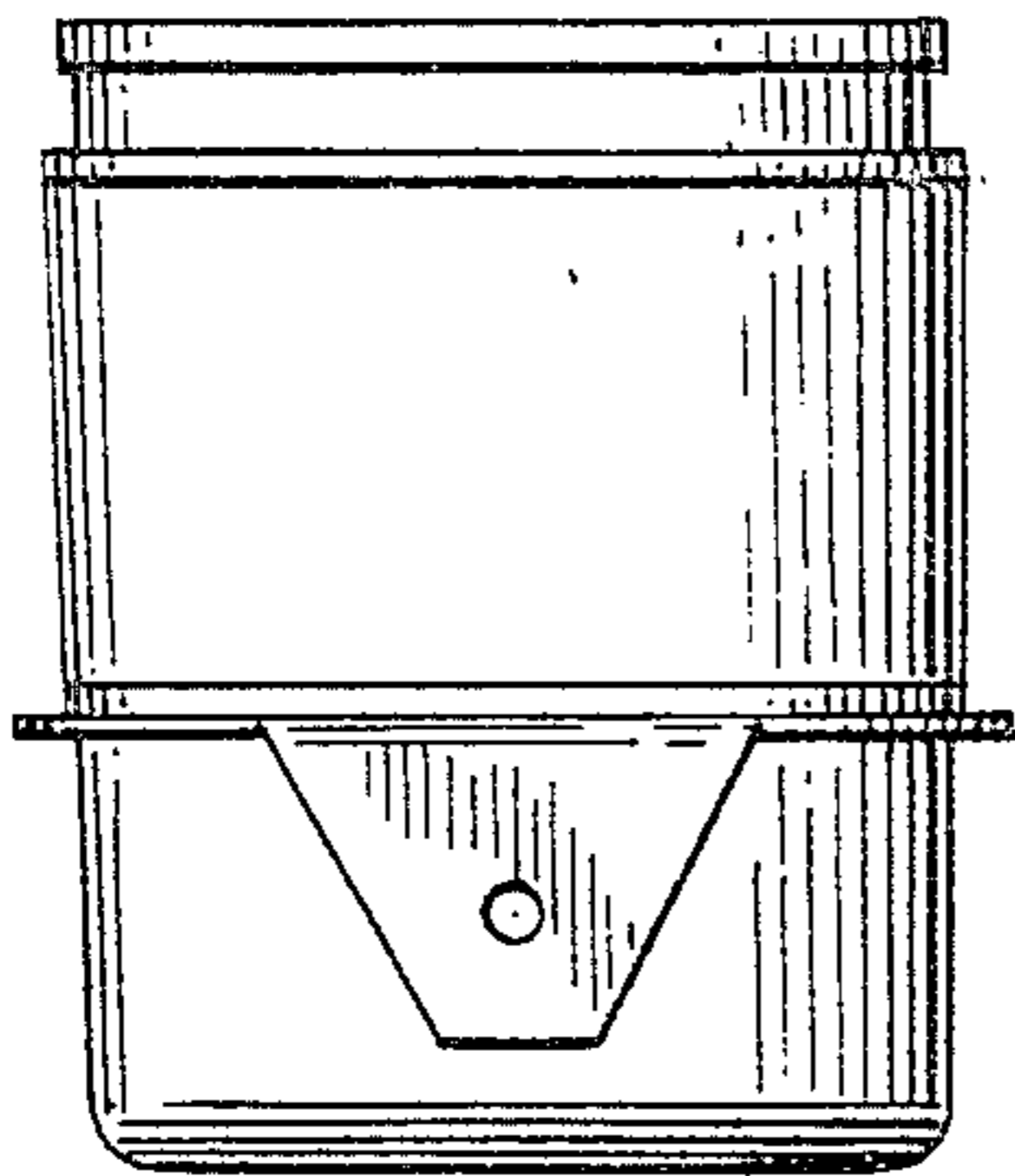


FIG. 3

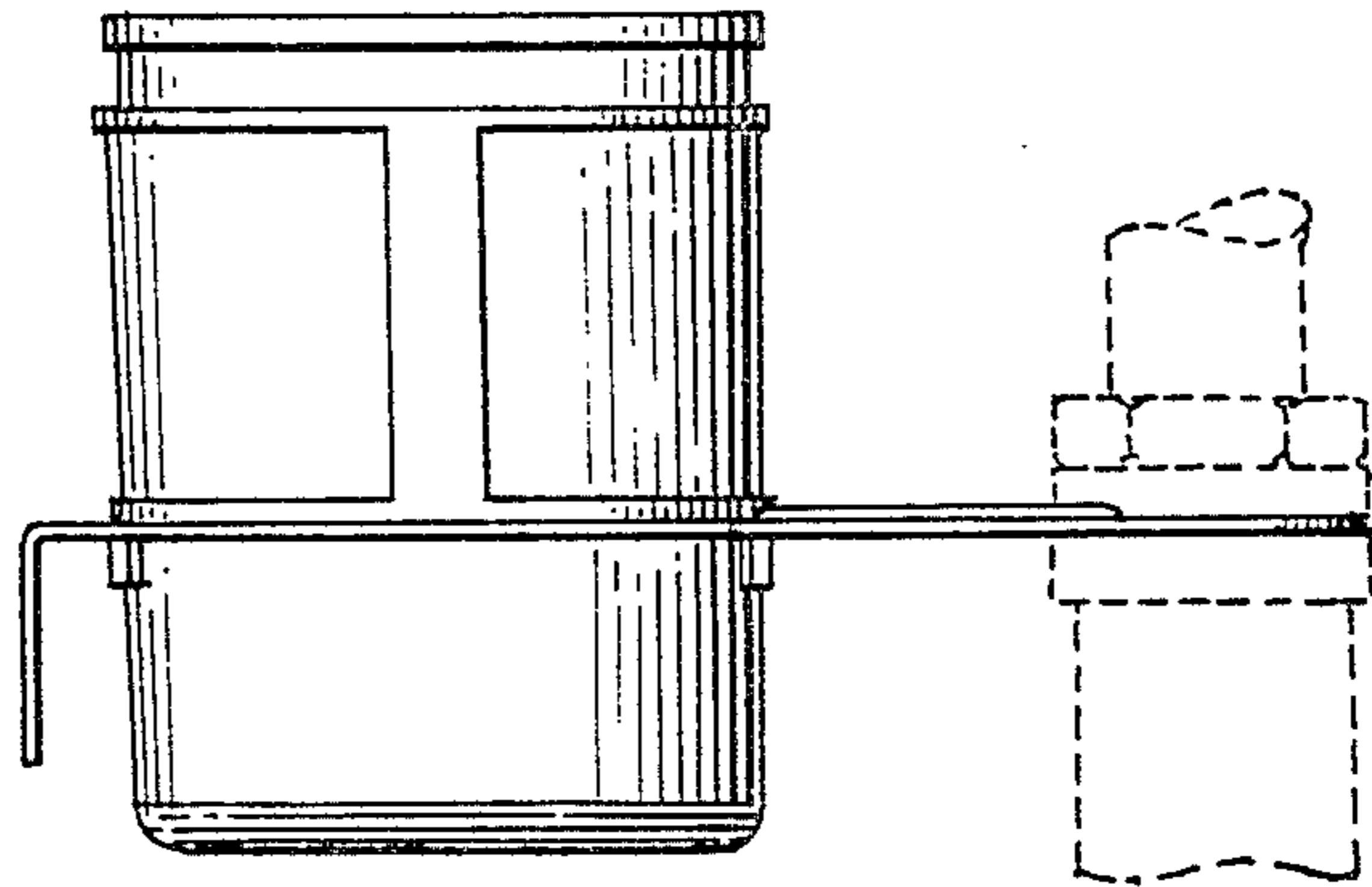


FIG. 5

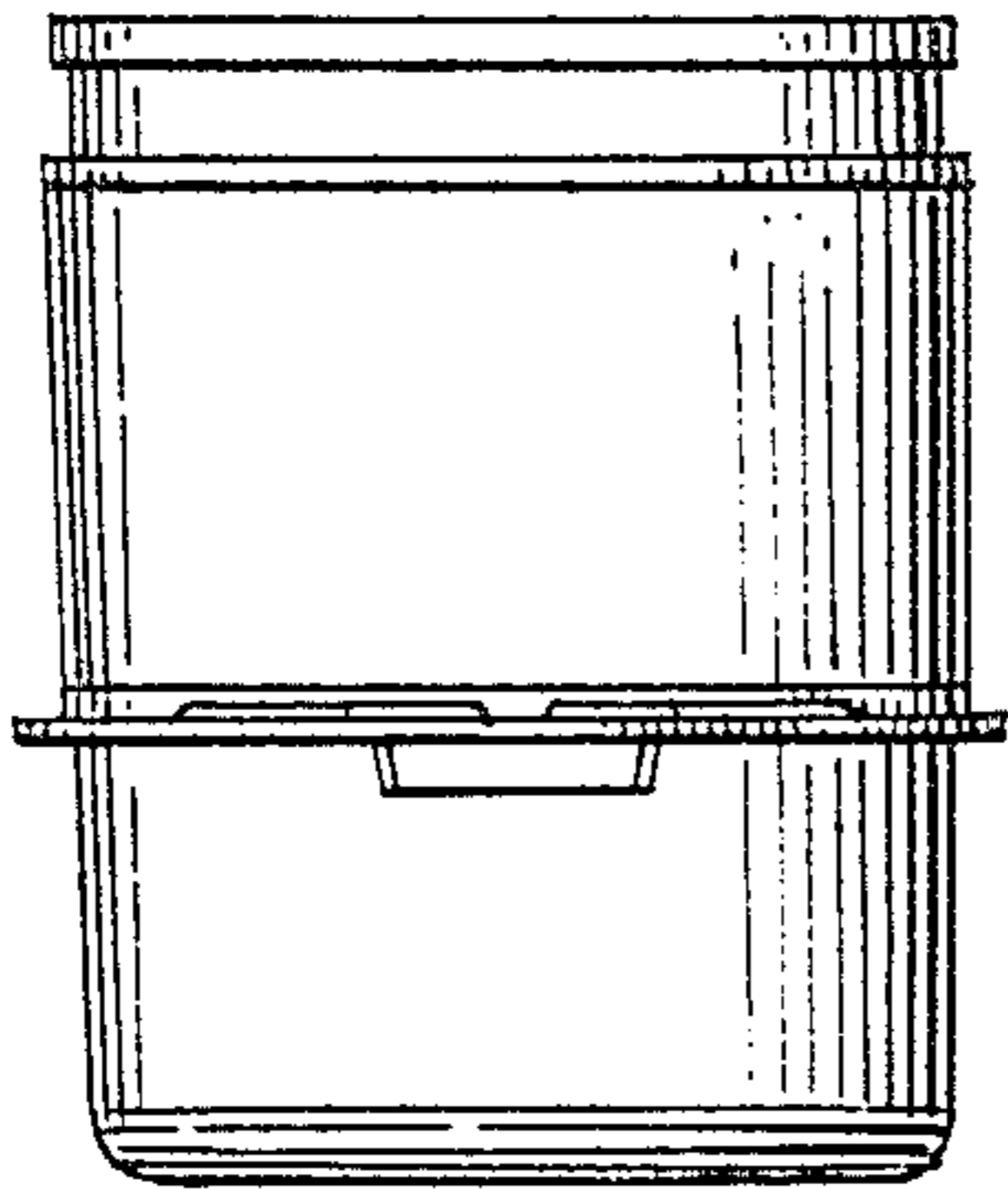


FIG. 6

